



## DisplayPort Cables

- Carries both Digital Audio and Video
- Supports DisplayPort 1.2 specification
- Supports a High Bit Rate (HBR) bandwidth and up to a 4K resolution
- Lifetime Warranty



# Specifications: DisplayPort Cables

## Electrical Characteristics:

---

Voltage Rating:	30v
Conductor Resistance:	@ 20°C max
Insulation Resistance:	10MΩ/km
Time Delay:	5.2ns/m (max)
Attenuation:	5.02dB@100-450MHz    7.69dB@1GHz
	12.595dB@2GHz        17.495dB@3GHz
	22.395dB@4GHz        27.295dB@5GHz
	32.195dB@6GHz        37.095dB@7GHz

## Physical Characteristics:

---

Minimum Bend Radius:	73mm
Approvals:	CE
Warranty:	Lifetime

### Conductor (5 Pair):

---

Conductor:	32AWG (7/0.08TC)
Insulation:	FM-PE, ID:0.62±0.05mm
Color:	White/Black, White/Brown, White/Red, White/Green, White/Blue
Drain:	1:32AWG (7/0.08TC)
Shield:	AL-Foil Wrap, Transparent
Wrap	

### Conductor (5 Conductors):

---

Conductor:	32AWG (7/0.08TC)
Insulation:	PP, ID:ø0.5±0.05mm
Color:	Red, Blue, Purple, White, Gray

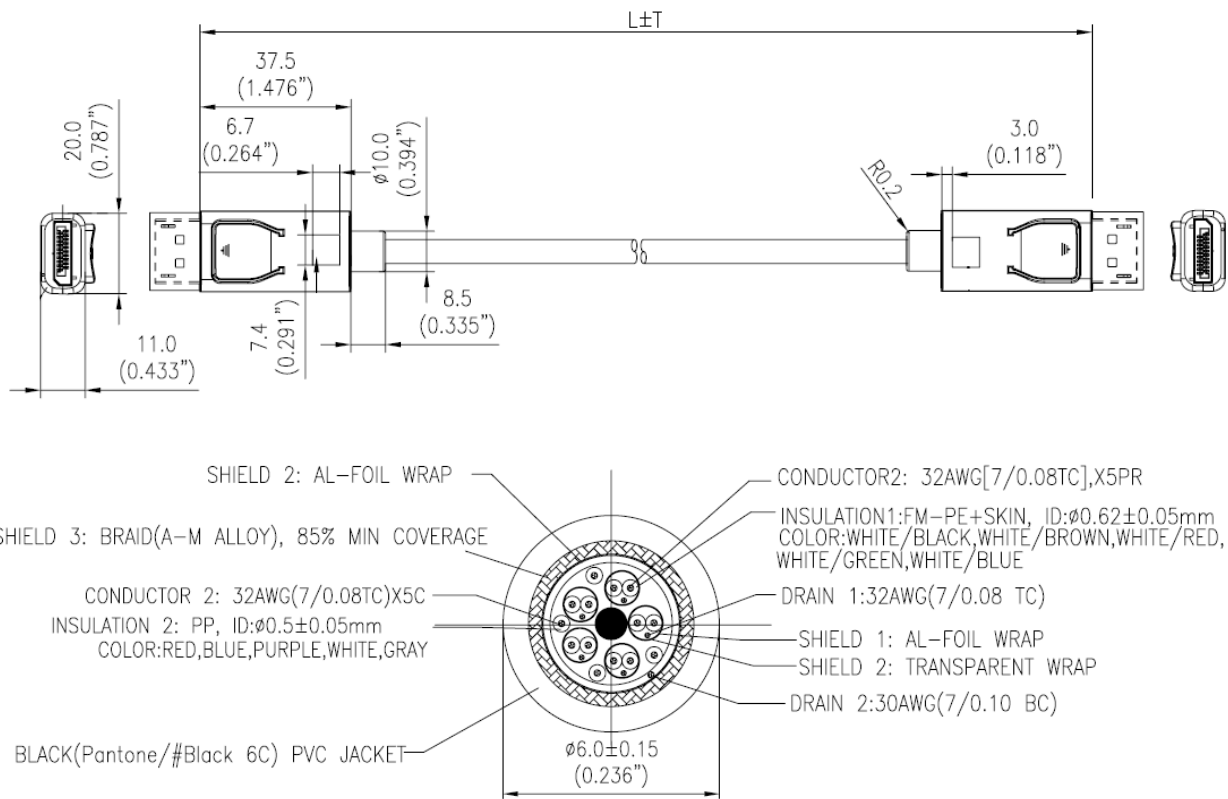
## Overall Cable

---

Jacket:	PVC
Shield:	AL-Foil Wrap Braid, 85% Min Coverage
Drain:	2:30AWG (7/0.10 BC)
OD:	6.0±0.15



# Specifications: DisplayPort Cables



Part Number	Description	Weight (Kg)
84400	1m DisplayPort Cable with Latches M/M-Black	
84401	2m DisplayPort Cable with Latches M/M-Black	
84402	3m DisplayPort Cable with Latches M/M-Black	

