

# INSTALLATION INSTRUCTIONS

## PAC115-116-117

The PAC115/116/117 hardware kits are designed for use with Chief® Series Mounts. See the specific installation instructions provided with the mount for additional installation information.

Unpack and verify kit contents. If any listed parts are missing, immediately contact a Chief Customer Service representative.

### IMPORTANT SAFETY INSTRUCTIONS

**WARNING:** Failure to read, thoroughly understand, and follow all instructions can result in serious personal injury, damage to equipment, or voiding of factory warranty! It is the installer's responsibility to make sure all components are properly assembled and installed using the instructions provided.

**WARNING:** Failure to provide adequate structural strength for this product can result in serious personal injury or damage to equipment! It is the installer's responsibility to make sure the structure to which this product is attached can support five times the combined weight of all equipment. Reinforce the structure as required before installing the product. The wall to which the mount is being attached may have a maximum drywall thickness 5/8" (1.6cm) over steel studs.

**WARNING:** Exceeding the weight capacity can result in serious personal injury or damage to equipment! It is the installer's responsibility to make sure the combined weight of all components does not exceed the maximum weight capacity of the mount being installed. (See mount installation instructions for weight capacity information.)

**WARNING: IMPROPER INSTALLATION CAN LEAD TO EQUIPMENT FALLING CAUSING SERIOUS PERSONAL INJURY AND DAMAGE TO EQUIPMENT! DO NOT** substitute hardware. Use only hardware supplied by manufacturer!

**WARNING: OVER TIGHTENING OF SCREWS CAN DAMAGE PARTS AND CAN LEAD TO SERIOUS PERSONAL INJURY AND DAMAGE TO EQUIPMENT! DO NOT** over tighten screws when installing this product.

**WARNING:** USING THIS PRODUCT INCORRECTLY MAY RESULT IN SERIOUS PERSONAL INJURY OR DAMAGE TO EQUIPMENT! Do NOT use the PAC115-116-117 to fasten a mount into only drywall.

**WARNING:** Use this product only for its intended use as described in these instructions. Do not use hardware or attachments not recommended by the manufacturer.

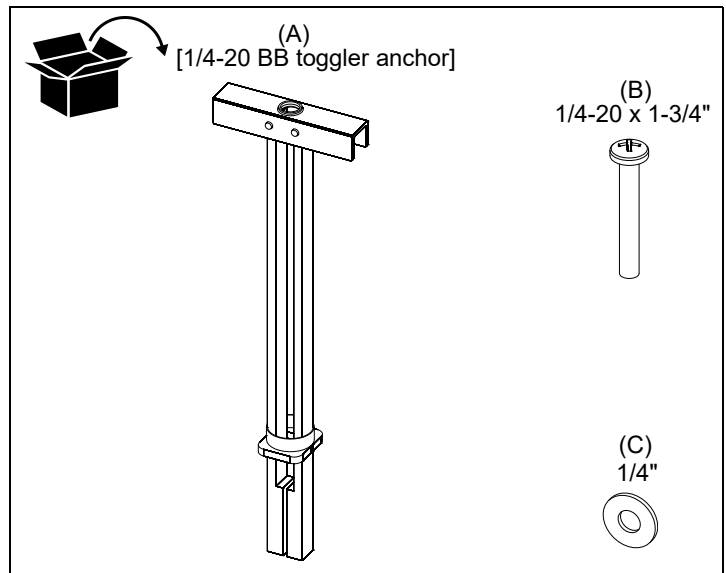
**WARNING:** Never operate this product if it is damaged. Return the product to a service center for examination and repair.

**WARNING:** Do not use this product outdoors.

**IMPORTANT ! :** The PAC115-116-117 kits may be used to fasten mounts to a 2" x 4"-25ga minimum steel stud wall.

©Chief is a registered trademark of Legrand AV Inc.

### PARTS



	A	B	C
MODEL	(qty)	(qty)	(qty)
PAC115	4	4	4
PAC116	8	8	8
PAC117	28	28	28

1. Reference the instruction manual included with the mount being installed for complete steel stud installation steps.

Legrand | AV and its affiliated corporations and subsidiaries (collectively "Legrand | AV"), intend to make this manual accurate and complete. However, Legrand | AV makes no claim that the information contained herein covers all details, conditions or variations, nor does it provide for every possible contingency in connection with the installation or use of this product. The information contained in this document is subject to change without notice or obligation of any kind. Legrand | AV makes no representation of warranty, expressed or implied, regarding the information contained herein. Legrand | AV assumes no responsibility for accuracy, completeness or sufficiency of the information contained in this document.

# CHIEF®

A brand of Legrand

Chief, a brand of Legrand  
6436 City West Parkway, Eden Prairie, MN 55344  
• P: 800.582.6480 / 952.225.6000 • F: 877.894.6918 / 952.894.6918

8800-003402 Rev00

©2024 Legrand | AV

[www.legrandav.com](http://www.legrandav.com)

03/2024