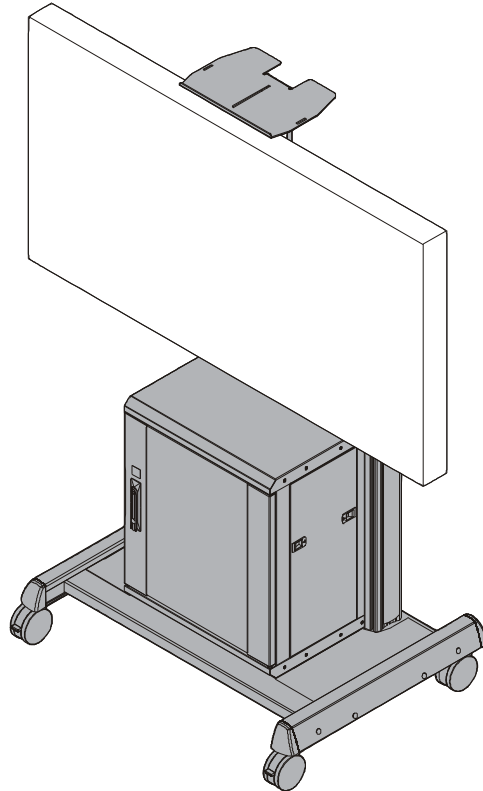


---

# INSTALLATION INSTRUCTIONS

---



---

## Height Adjustable Video Conferencing Cart

---

## DISCLAIMER

Milestone AV Technologies and its affiliated corporations and subsidiaries (collectively "Milestone"), intend to make this manual accurate and complete. However, Milestone makes no claim that the information contained herein covers all details, conditions or variations, nor does it provide for every possible contingency in connection with the installation or use of this product. The information contained in this document is subject to change without notice or obligation of any kind. Milestone makes no representation of warranty, expressed or implied, regarding the information contained herein. Milestone assumes no responsibility for accuracy, completeness or sufficiency of the information contained in this document.

Chief® is a registered trademark of Milestone AV Technologies. All rights reserved.

## DEFINITIONS

**MOUNTING SYSTEM:** A MOUNTING SYSTEM is the primary Chief product to which an accessory and/or component is attached.

**ACCESSORY:** AN ACCESSORY is the secondary Chief product which is attached to a primary Chief product, and may have a component attached or setting on it.

**COMPONENT:** A COMPONENT is an audiovisual item designed to be attached or resting on an accessory or mounting system such as a video camera, CPU, screen, display, projector, etc.



**WARNING:** A WARNING alerts you to the possibility of serious injury or death if you do not follow the instructions.



**CAUTION:** A CAUTION alerts you to the possibility of damage or destruction of equipment if you do not follow the corresponding instructions.



## IMPORTANT SAFETY INSTRUCTIONS



**WARNING:** Failure to read, thoroughly understand, and follow all instructions can result in serious personal injury, damage to equipment, or voiding of factory warranty! It is the installer's responsibility to make sure all mounting systems are properly assembled and installed using the instructions provided.



**WARNING:** Failure to provide adequate structural strength for this mounting system can result in serious personal injury or damage to equipment! It is the installer's responsibility to make sure the structure to which this mounting system is attached can support five times the combined weight of all equipment. Reinforce the structure as required before installing the mounting system.



**WARNING:** Exceeding the weight capacity can result in serious personal injury or damage to equipment! It is the installer's responsibility to make sure the combined weight of all components attached to the XVAU head assembly up to (and including) the display does not exceed 250 lbs (113.4

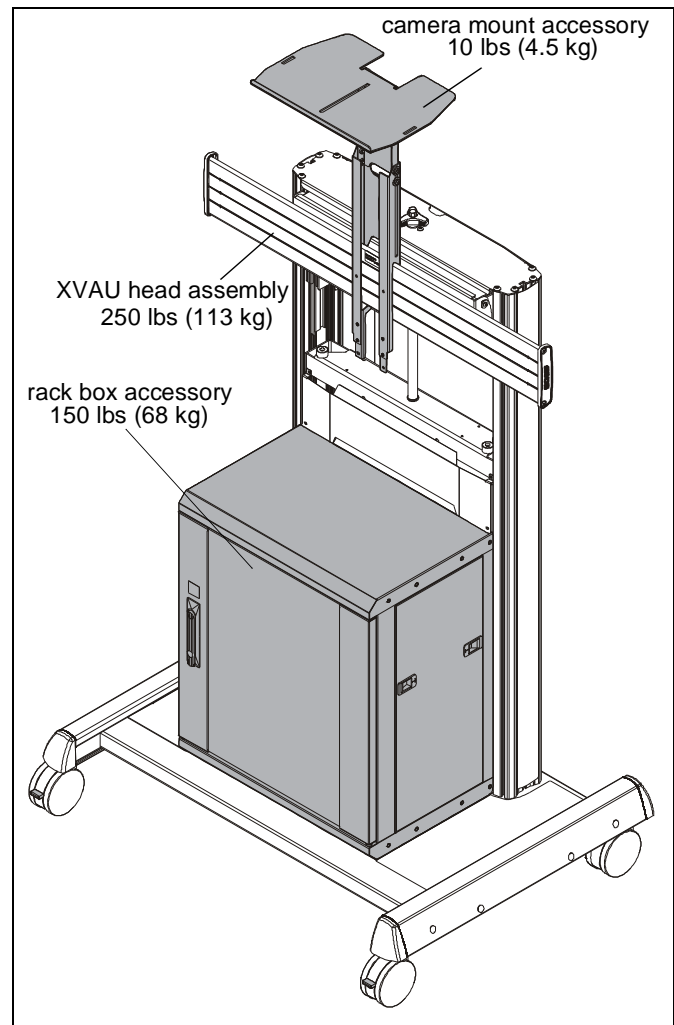
kg). Use with heavier televisions may result in instability causing tip over resulting in death or serious injury! See Figure to right for reference.



**WARNING:** Exceeding the weight capacity can result in serious personal injury or damage to equipment! It is the installer's responsibility to make sure the combined weight of all components located within the XVAU rack box accessory does not exceed 150 lbs (68 kg). Use with excessive weight may result in instability causing tip over resulting in death or serious injury! See Figure below for reference.



**WARNING:** Exceeding the weight capacity can result in serious personal injury or damage to equipment! It is the installer's responsibility to make sure the combined weight of all components located on the camera mount accessory does not exceed 10 lbs (4.5 kg). See Figure below for reference.



**WARNING:** Use this mounting system only for its intended use as described in these instructions. Do not use attachments not recommended by the manufacturer.



**WARNING:** Never operate this mounting system if it is damaged. Return the mounting system to a service center for examination and repair.



**WARNING:** Do not use this product outdoors.



**WARNING:** RISK OF INJURY TO PERSONS! Do not place video equipment such as televisions or computer monitors on cart legs or rack box.



**WARNING:** RISK OF SERIOUS INJURY OR DEATH!  
Placing a remote control or toy on the cart may encourage a child to climb onto the cart causing the cart to tip over onto the child. DO NOT place remote controls or toys on the cart!



**WARNING:** RISK OF SERIOUS INJURY OR DEATH!  
Relocating audio and/or video equipment to the cart may result in the cart collapsing or overturning onto a child. DO NOT relocate audio and/or video equipment to the cart!

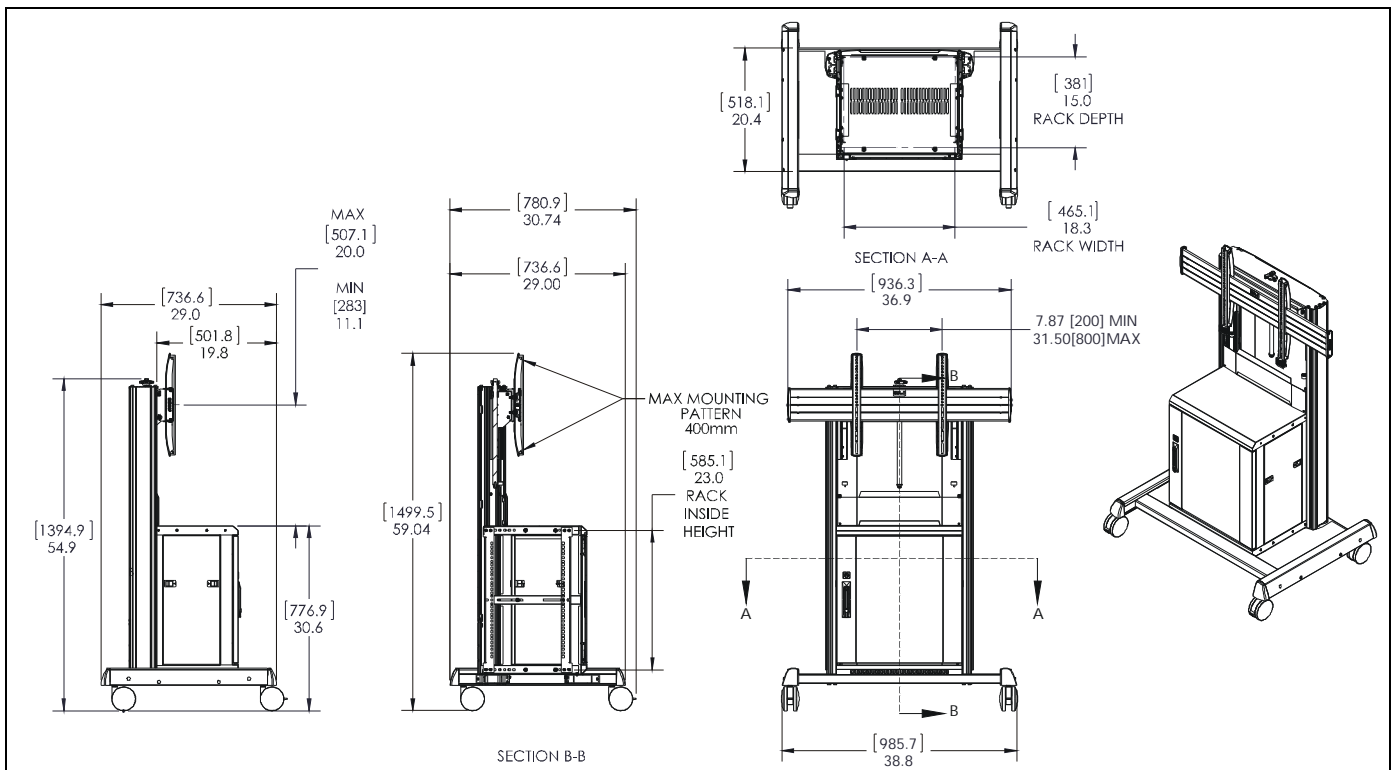
**IMPORTANT ! :** Minimum spacings between the Accessories and components and the (AV) Equipment Cabinet shall be maintained for safe operation of the equipment when installed in accordance with the National Electric Code, ANSI/NFPA 70-2008. Operating temperature inside rack shall not exceed 104° F.

**NOTE:** The XVAU cart has no user serviceable parts.

**NOTE:** The XVAU cart can support screen sizes between 40" and 58".

**--SAVE THESE INSTRUCTIONS--**

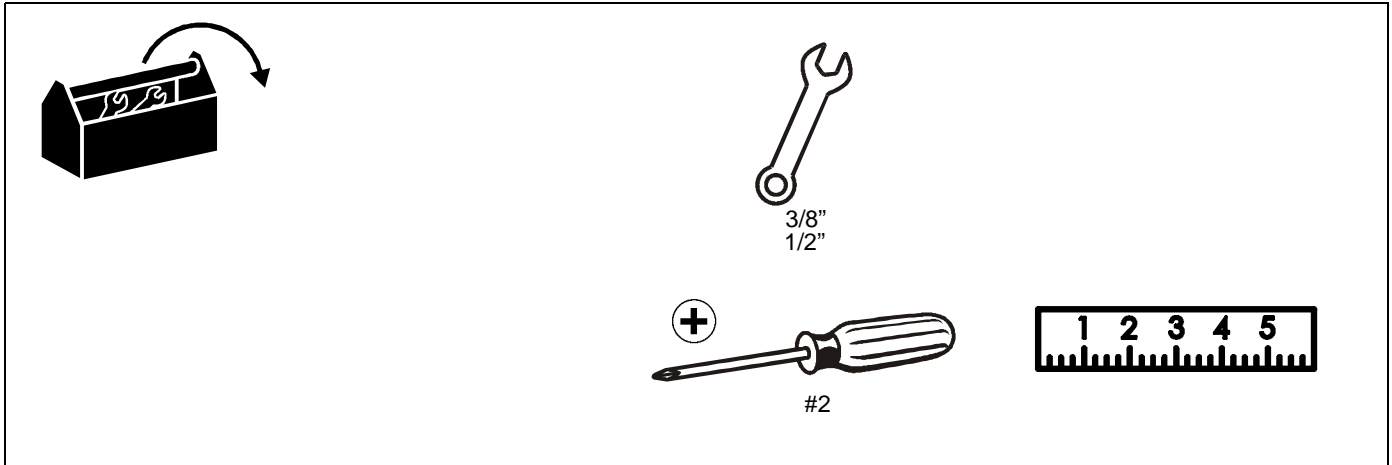
**DIMENSIONS**



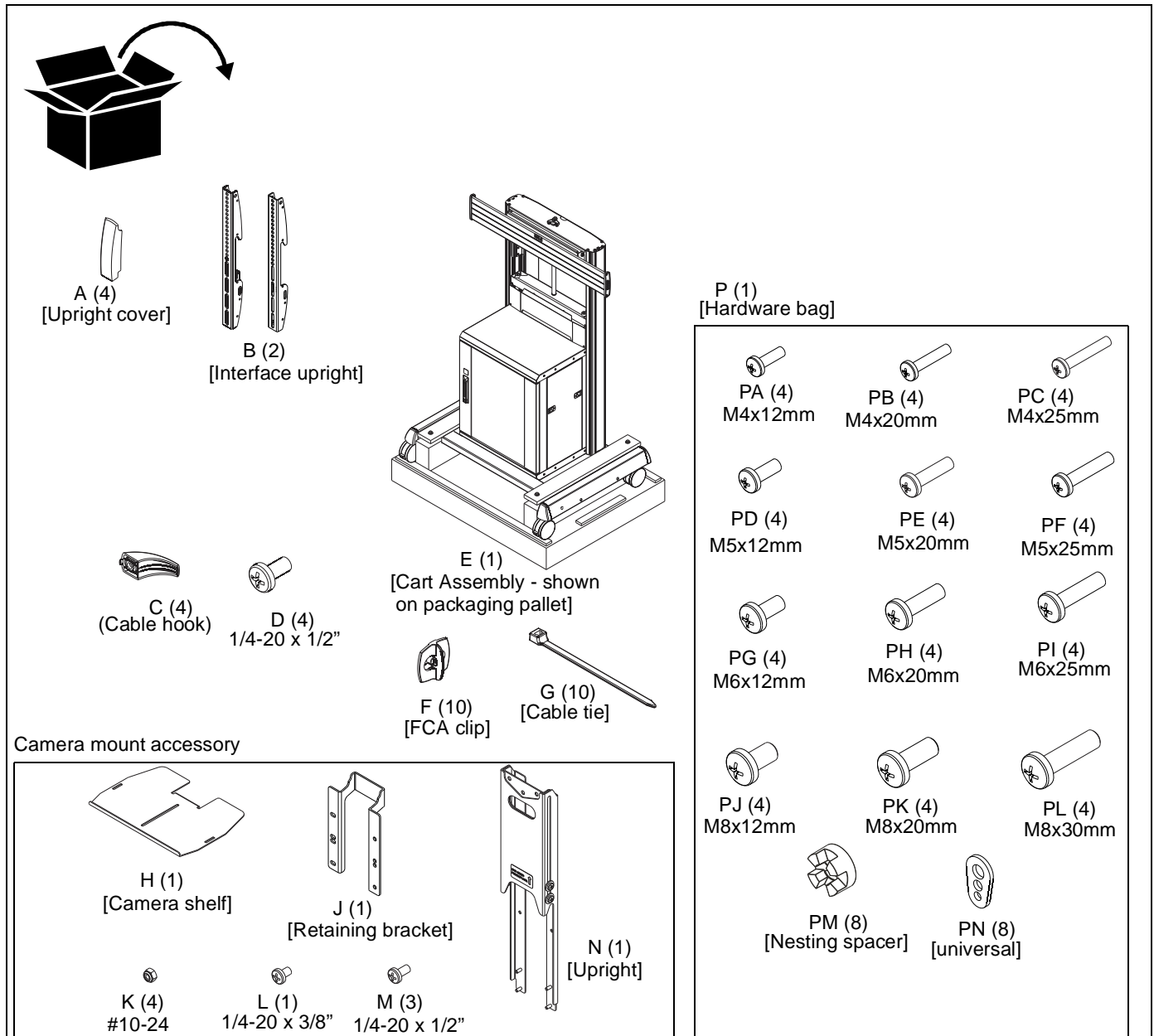
## LEGEND

	<b>Tighten Fastener</b> Apretar elemento de fijación Befestigungsteil festziehen Apertar fixador Serrare il fissaggio Bevestiging vastdraaien Serrez les fixations		<b>Pencil Mark</b> Marcar con lápiz Stiftmarkierung Marcar com lápis Segno a matita Potloodmerkteken Marquage au crayon
	<b>Loosen Fastener</b> Aflojar elemento de fijación Befestigungsteil lösen Desapertar fixador Allentare il fissaggio Bevestiging losdraaien Desserrez les fixations		<b>Drill Hole</b> Perforar Bohrloch Fazer furo Praticare un foro Gat boren Percez un trou
	<b>Phillips Screwdriver</b> Destornillador Phillips Kreuzschlitzschraubendreher Chave de fendas Phillips Cacciavite a stella Kruiskopschroevendraaier Tournevis à pointe cruciforme		<b>Adjust</b> Ajustar Einstellen Ajustar Regolare Afstellen Ajuster
	<b>Open-Ended Wrench</b> Llave de boca Gabelschlüssel Chave de bocas Chiave a punte aperte Steeksleutel Clé à fourche		<b>Remove</b> Quitar Entfernen Remover Rimuovere Verwijderen Retirez
	<b>By Hand</b> A mano Von Hand Com a mão A mano Met de hand À la main		<b>Optional</b> Opcional Optional Opcional Opzionale Optie En option
	<b>Hex-Head Wrench</b> Llave de cabeza hexagonal Sechskantschlüssel Chave de cabeça sextavada Chiave esagonale Zeskantsleutel Clé à tête hexagonale		<b>Security Wrench</b> Llave de seguridad Sicherheitsschlüssel Chave de segurança Chiave di sicurezza Veiligheidssleutel Clé de sécurité

**TOOLS REQUIRED FOR INSTALLATION**



**PARTS**



## Assembly and Installation

### Packaging Removal

**NOTE:** The XVAU cart needs to be removed from the packaging pallet prior to camera shelf or display installation.

1. Use 1/2" socket head wrench to remove four bolts and washers holding XVAU cart (A) to packaging pallet. (See Figure 1)
2. Remove two packaging boards from top of pallet. (See Figure 1)



**WARNING:** XVAU cart weighs approximately 65 lbs (29.5 kg)! Always use proper lifting techniques and at least two people to lift cart from packaging pallet! Failure to take adequate precautions can result in serious personal injury or damage to equipment!

3. Using two people, carefully lift XVAU cart from packaging pallet. (See Figure 1)

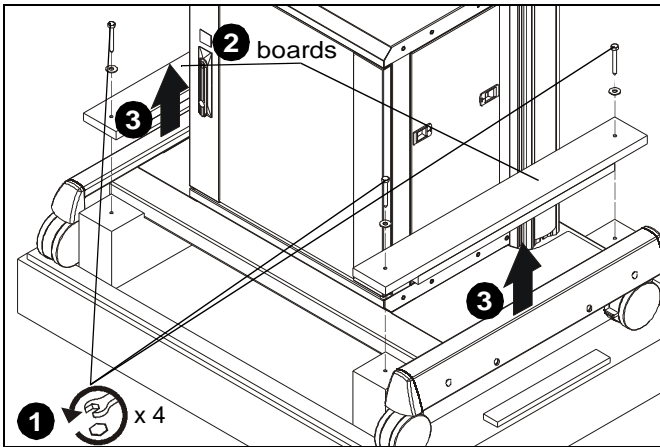


Figure 1

### Camera Shelf Accessory Installation

#### Assembling Shelf to Upright

1. Attach shelf (H) to upright (N) using three 1/4-20 x 1/2" Phillips pan head machine screws (M). (See Figure 2)

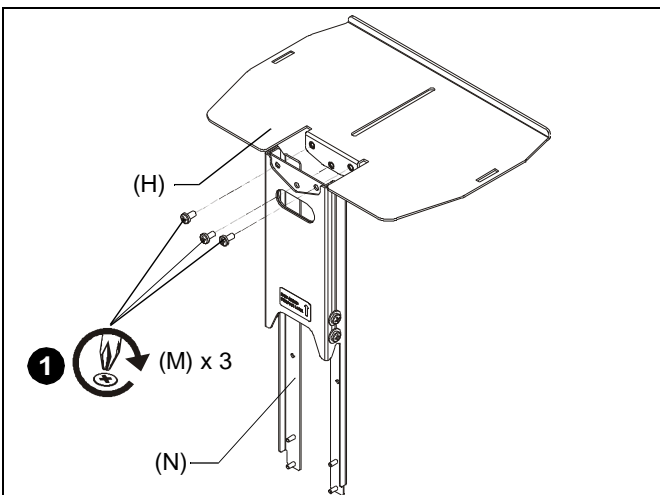


Figure 2

### Attaching Shelf Assembly to Mount

1. Lower shelf assembly onto head assembly, placing shelf assembly hooks over extrusion. (See Figure 3)

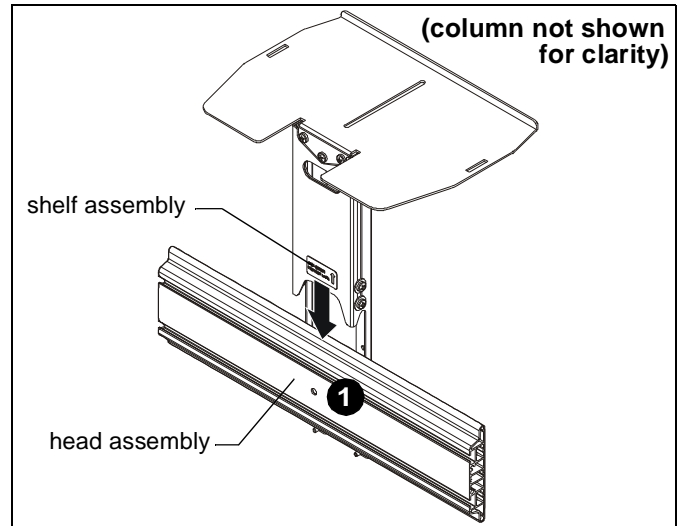


Figure 3

2. Attach retaining bracket (J) to upright, pressing retaining bracket against head assembly and tightening, using four 10-24 lock nuts (K). (See Figure 4)

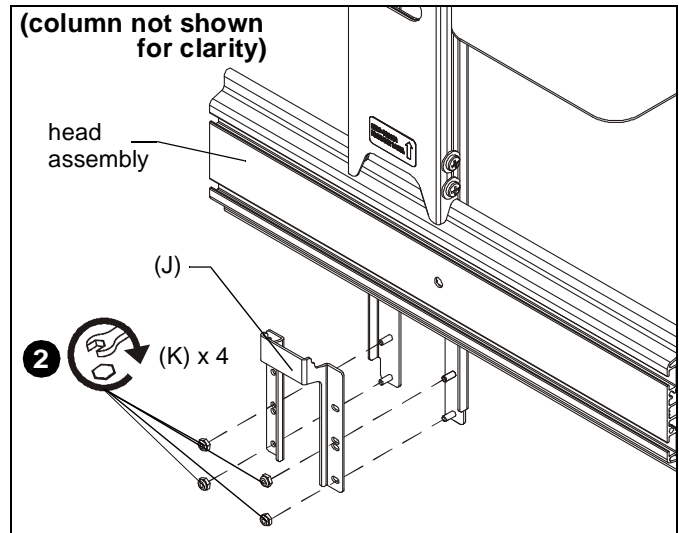


Figure 4

### Installing Camera Shelf Accessory Components

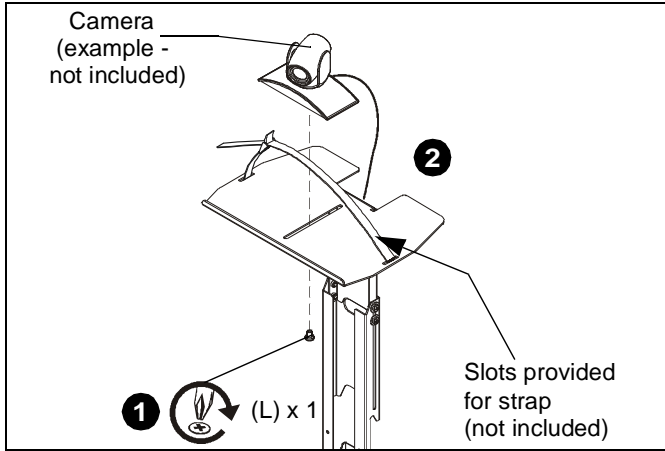


**WARNING:** Exceeding the weight capacity can result in serious personal injury or damage to equipment! It is the installer's responsibility to make sure the combined weight of all components located on the camera mount accessory does not exceed 10 lbs (4.5 kg).

**NOTE: OPTIONAL:** Slots are provided in shelf for strap (not included) to hold component in place. (See Figure 5)

**Installing Camera**

1. Install 1/4-20 x 3/8" Phillips pan machine screw (L) through mounting slot on shelf and into hole on bottom of camera (not included). (See Figure 5)
2. Route cable from camera towards back of shelf and down behind the cart. (See Figure 5)



**Figure 5**

**Display Installation**



**WARNING:** Exceeding the weight capacity can result in serious personal injury or damage to equipment! It is the installer's responsibility to make sure the combined weight of all components attached to the XVAU head assembly up to (and including) the display does not exceed 250 lbs (113.4 kg). Use with heavier televisions may result in instability causing tip over resulting in death or serious injury!

1. Lay display face down on protective surface.



**CAUTION:** Using screws of improper diameter may damage your display! Proper screws will easily thread into display mounting holes.

2. Select screw *diameter* by examining hardware (PA-PL) (4mm, 5mm, 6mm or 8mm) and comparing with mounting holes on display. (See Figure 6)
3. Select spacers: (See Figure 6)
  - If mounting holes are not recessed and both uprights (B) can lay flat against display, then no spacers are required.
  - If mounting holes are recessed, or if protrusions prevent uprights (B) from laying flat, then nesting spacers (PM) must be used.

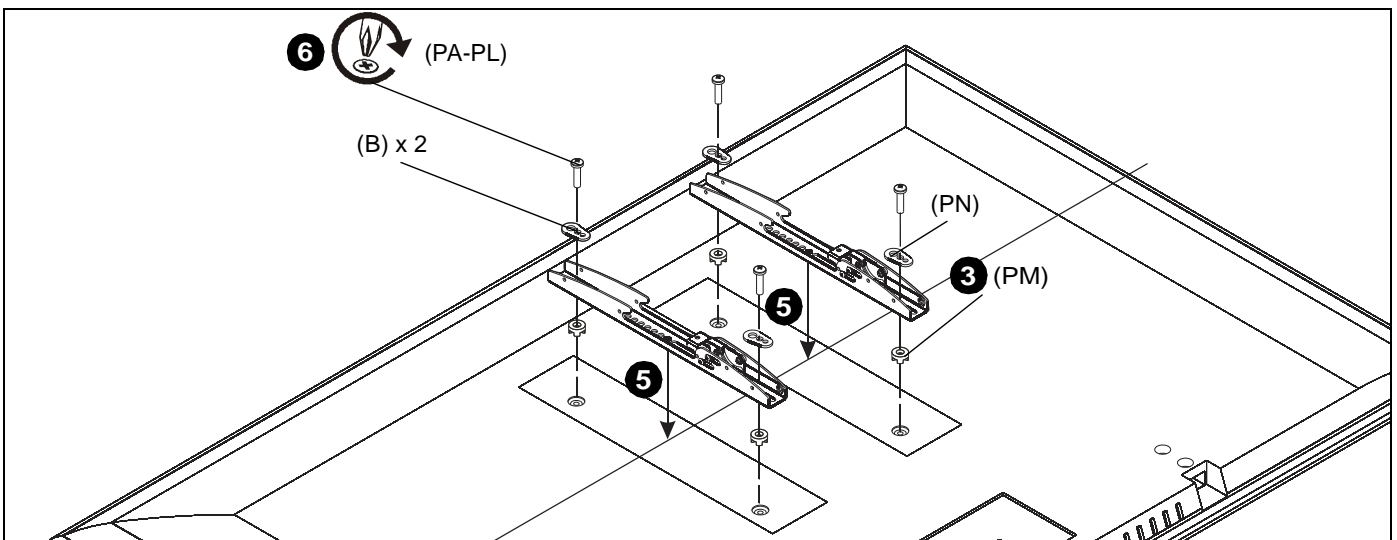


**CAUTION:** Using screws of improper length may damage your display! Proper screws will have adequate thread engagement without contacting bottom of display mounting holes.

4. Select screw *length*: (See Figure 6)
  - Using your hand, insert **SHORTEST** length screw of selected diameter (PA, PD, PG or PJ) through universal washer (PN), uprights (B), nesting spacer (PM), into display mounting hole. Do **NOT** thread screw into hole at this time.

**NOTE:** Universal washers (PN) are not needed if using M8 button head cap screws (PJ, PK or PL).

- Proper screw length requires base of screw head to protrude above flat washer a *distance equal to or greater than the screw diameter*. If screw length is inadequate, select longer screw. Select *shortest* screw which will protrude the required distance.
5. Place uprights (B) on display, ensuring: (See Figure 6)
    - Center of uprights (B) are as close to the center of the back of display as possible after being installed. Center of bracket is indicated by the diamond-shaped hole.
  6. Use selected screws and spacers to install two interface uprights (B) to back of display. (See Figure 6)



**Figure 6**

**IMPORTANT ! :** The M8 screws do **NOT** require a washer. Use the universal washer (PN) only with M4, M5 and M6 screws.

**NOTE:** The nesting spacers (PM) may be used separately, or put two together in different configurations to create different size spacers. (See Figure 7)

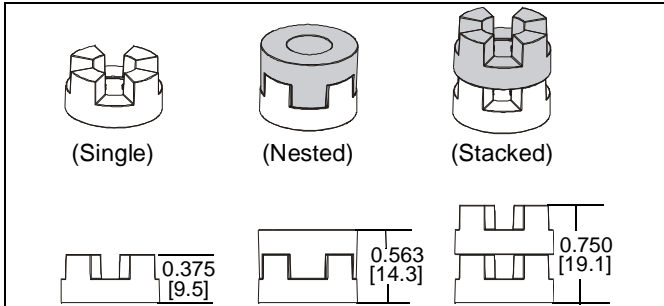


Figure 7



**WARNING:** Display may be very heavy! Ensure display may be safely lifted and maneuvered as required to install on cart. Failure to take adequate precautions can result in serious personal injury or damage to equipment!

**NOTE:** Camera shelf accessory height may need to be raised in order to make room for display installation. See Camera Mount Height Adjustment Section for details.

7. Position latches on interface uprights so that they are in the "open" position. (See Figure 8)
8. Hang interface uprights (B) on head assembly. (See Figure 8)

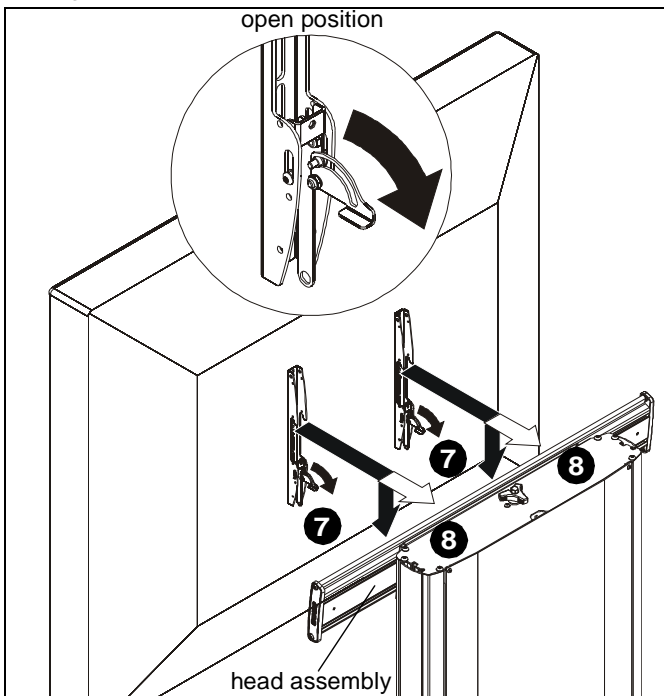


Figure 8

**IMPORTANT ! :** In order to ensure an even mount, install uprights to be centered over cart assembly. Do **NOT** install both uprights to the same side of cart assembly! (See Figure 9)

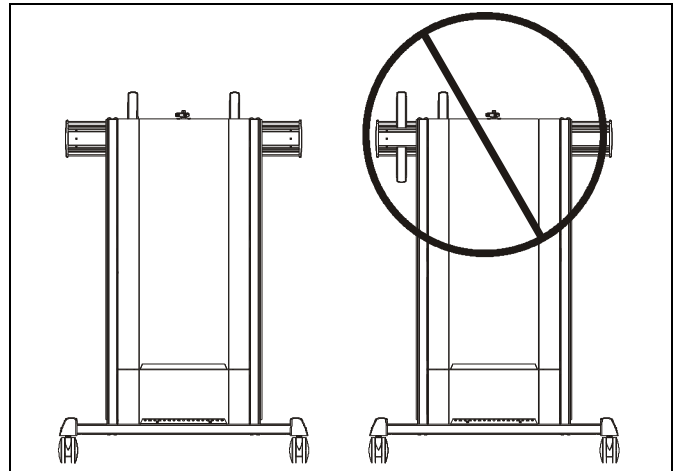


Figure 9

9. Move latches on interface uprights to the "closed" position to secure display to head assembly. (See Figure 10)

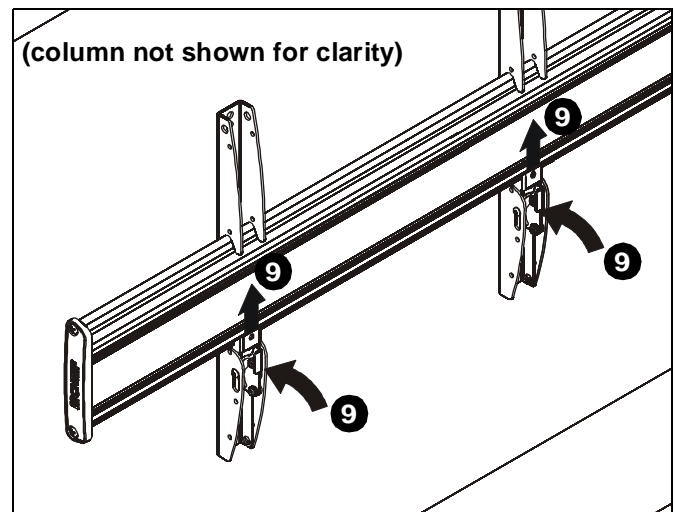


Figure 10



10. Snap four upright covers (A) onto uprights. (See Figure 11)

**NOTE:** Tabs on inside of covers (A) will snap directly into holes on uprights to ensure a secure connection.

11. (Optional) Use padlocks (not provided) to secure uprights to head assembly. (See Figure 11)

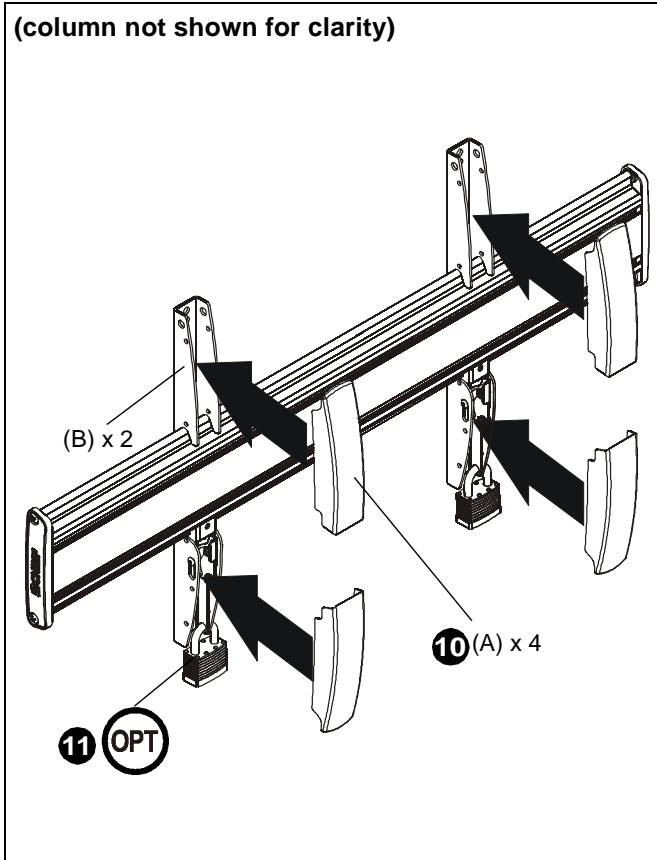


Figure 11

### Cable Management

**NOTE:** The following cable management options may vary based on type of display being mounted and user preference.

#### FCA Clips

1. Place FCA clip (F) into groove on back of Fusion mount with clip handle in a vertical position. (See Figure 12)
2. Rotate FCA clip (F) 90° in either direction until clip handle is in a horizontal position. (See Figure 12)
3. Repeat Steps 2-3 for all clips to be installed.

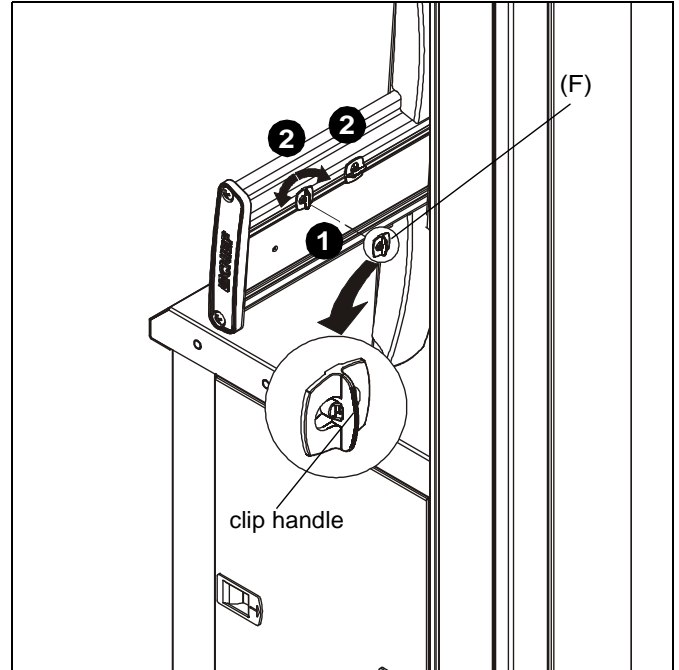


Figure 12

4. Route cables along FCA clips (F) to be used for cable management. (See Figure 13)
5. Use cable ties (G) to secure cables to FCA clips (F). (See Figure 13)

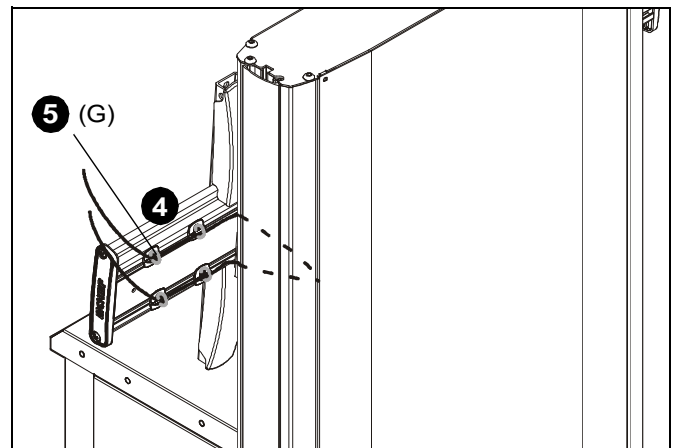


Figure 13

- Route cables from display through inside of cart assembly attaching at cable management attachment points and/or accessory bracket as desired. (See Figure 14)

**IMPORTANT ! :** Route cables when display is at its highest point and make sure enough slack exists so that height may be adjusted without straining the cables!

**NOTE:** Rear covers may need to be removed to route cables properly. See Rear Cover Removal Section for details.

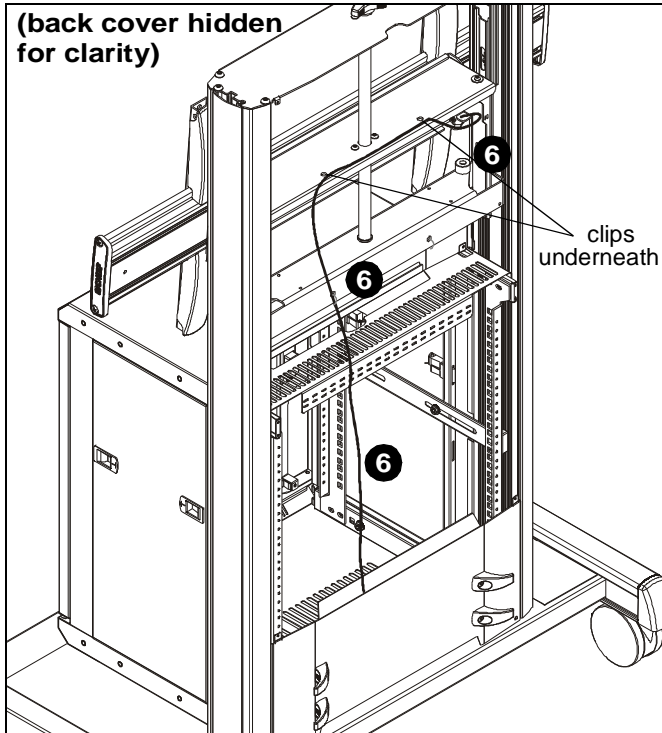


Figure 14

**Cable Hooks**

- Use four 1/4-20 x 1/2" Phillips pan machine screws (D) to attach four cable hooks (C) to bottom of cart assembly (E). (See Figure 15)

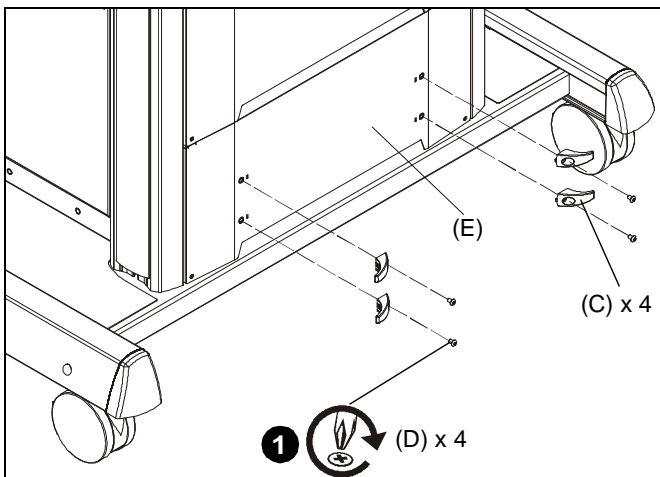


Figure 15

- Wrap cables around cable hooks (C) as desired. (See Figure 16)

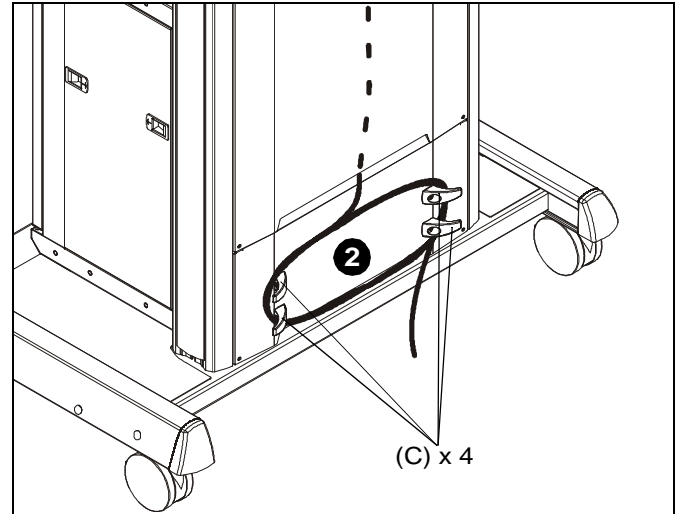


Figure 16

**Adjustments**

**Height Adjustment**

- Turn height adjustment knob clockwise to raise display. (See Figure 17)
- Turn height adjustment knob counterclockwise to lower display. (See Figure 17)



**WARNING:** Do not attempt to raise or lower the adjustment carriage beyond its upper or lower limit. (See Figure 17) and (See Figure 18) for high and low points.

**NOTE:** Lower tabs will rest on rubber bushings when the lowest point is reached. (See Figure 18) inset

A 1/2" socket wrench may also be used to adjust height by turning bolt just above height adjustment knob.

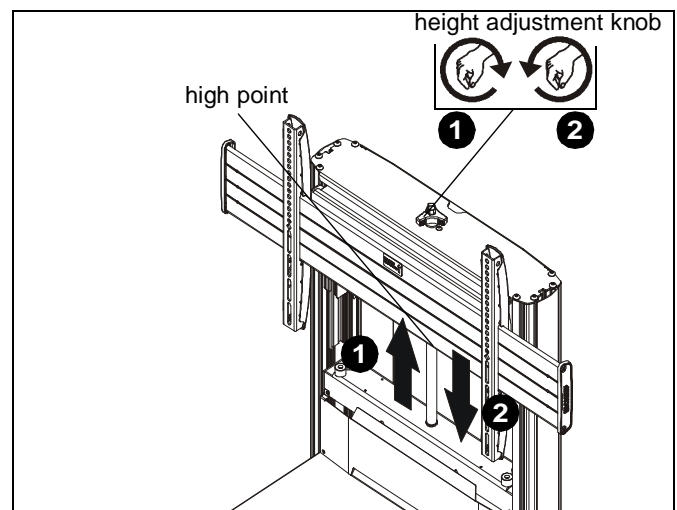


Figure 17

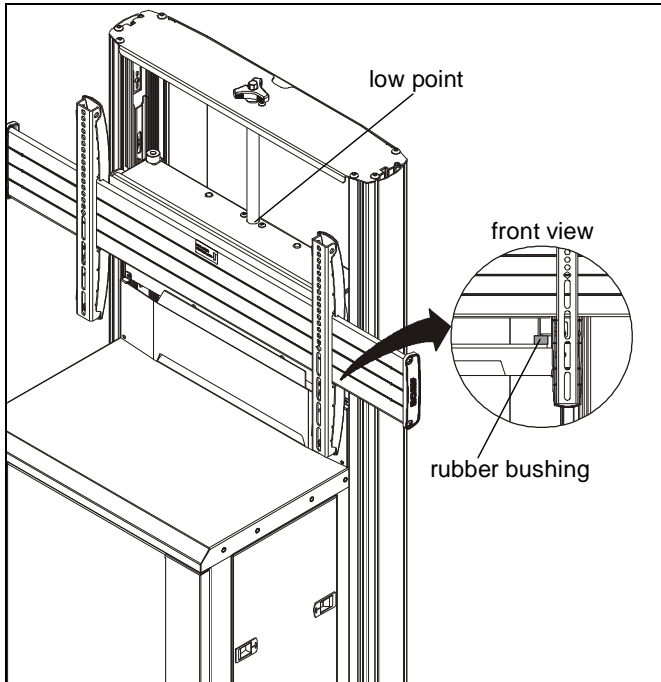


Figure 18

**Pitch Adjustment**

1. Loosen pitch adjustment screws to allow pitch to be adjusted. (See Figure 19)
2. Adjust pitch as desired. (See Figure 19)
3. Tighten pitch adjustment screws to lock pitch position. (See Figure 19)

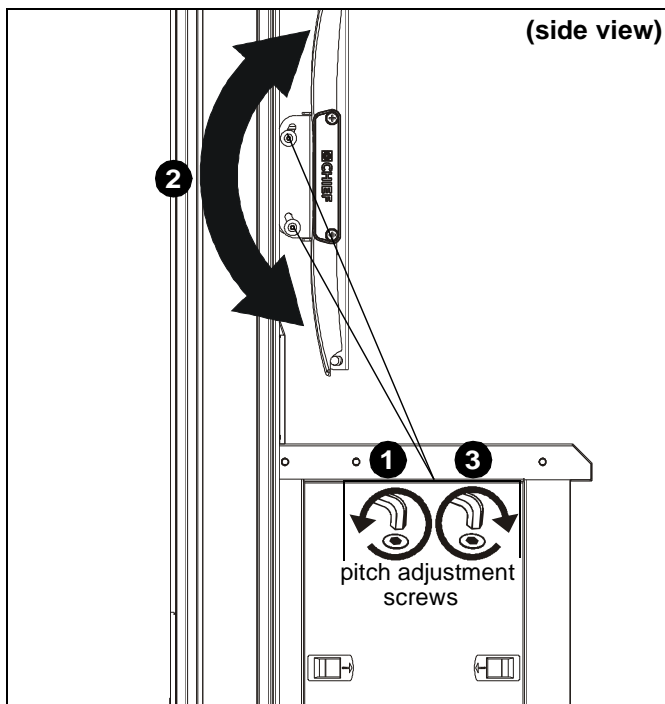


Figure 19

**Camera Mount Accessory Height Adjustment**

1. Loosen two screws on each side of upright. (See Figure 20)
2. Adjust height of shelf, as necessary.
3. Tighten two screws on each side of upright.

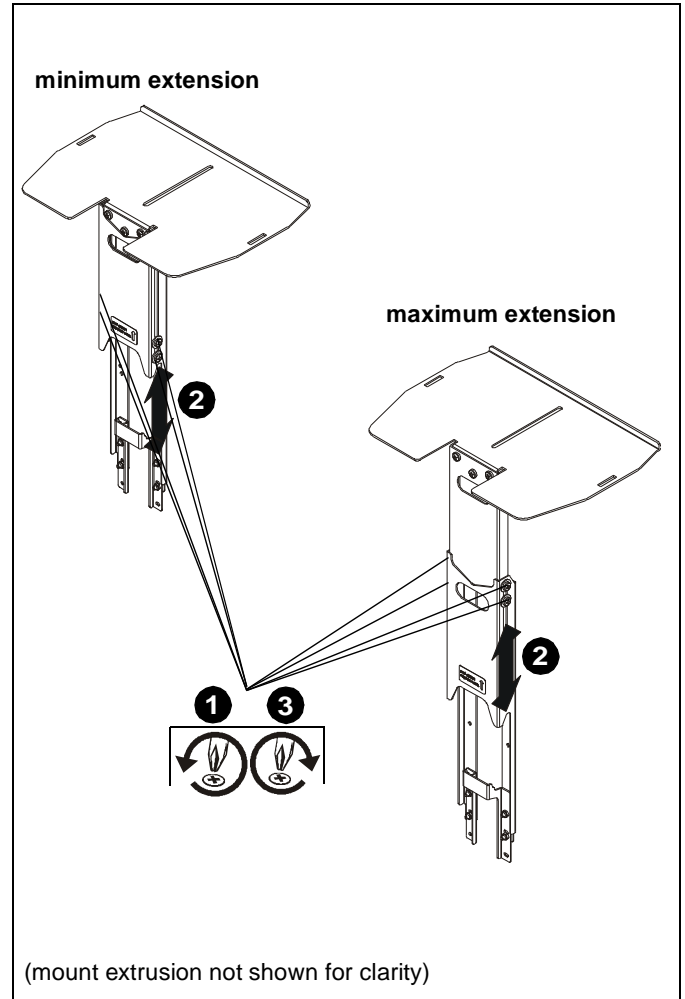


Figure 20

**Cart Use and Maintenance**



**WARNING:** Exceeding the weight capacity can result in serious personal injury or damage to equipment! It is the installer's responsibility to make sure the combined weight of all components located between the XVAU head assembly up to (and including) the display does not exceed 250 lbs (113.4 kg).



**WARNING:** Exceeding the weight capacity can result in serious personal injury or damage to equipment! It is the installer's responsibility to make sure the combined weight of all components located within the XVAU rack box accessory does not exceed 150 lbs (68 kg). Use with excessive weight may result in instability causing tip over resulting in death or serious injury!

**⚠ WARNING: RISK OF SERIOUS INJURY OR DEATH!**  
 Placing a remote control or toy on the cart may encourage a child to climb onto the cart causing the cart to tip over onto the child. **DO NOT** place remote controls or toys on the cart!

**⚠ WARNING: RISK OF SERIOUS INJURY OR DEATH!**  
 Relocating audio and/or video equipment to the cart may result in the cart collapsing or overturning onto a child. **DO NOT** relocate audio and/or video equipment to the cart!

**⚠ WARNING: CART CAN TIP OVER RESULTING IN INJURY!** Do not allow children under 16 to move cart. Only adults should move this cart. Move cart slowly. Apply moving force on narrow dimension. Never apply force at top - always push toward the middle. Push, don't pull cart. (See Figure 21)

**NOTE:** The XVAU cart has no user serviceable parts.

**NOTE:** The XVAU cart can support screen sizes between 40" and 58".

1. Always place cart on a level surface.

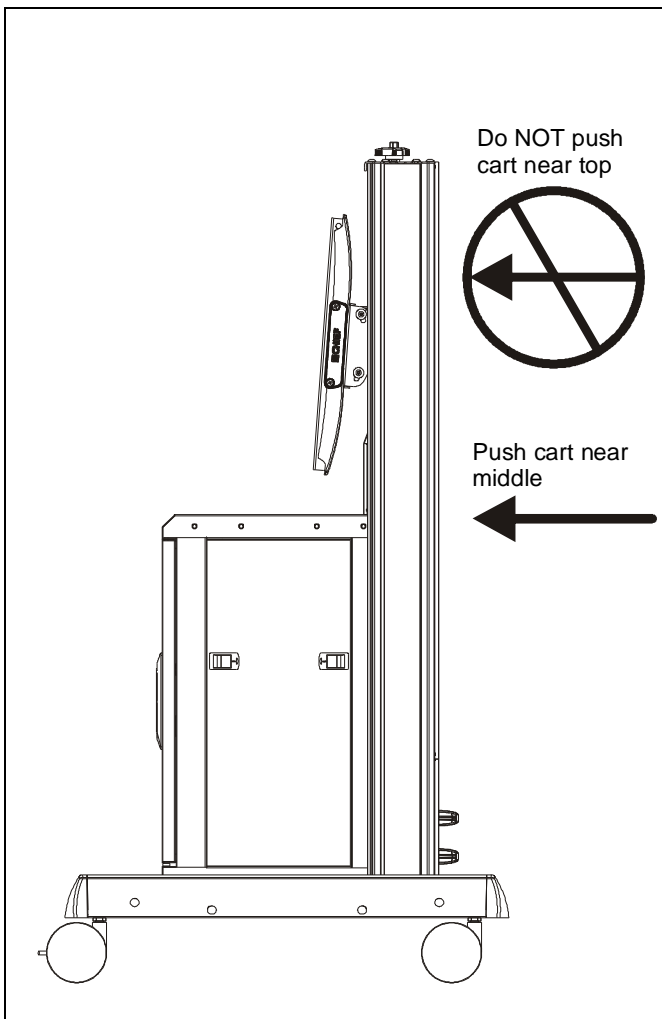


Figure 21

2. Always lock the wheels when the cart is not moving.
3. Check and tighten the hex nuts on the casters occasionally. (See Figure 22) These should be checked especially after use on uneven ground.

**IMPORTANT ! : Do NOT overtighten nuts!**

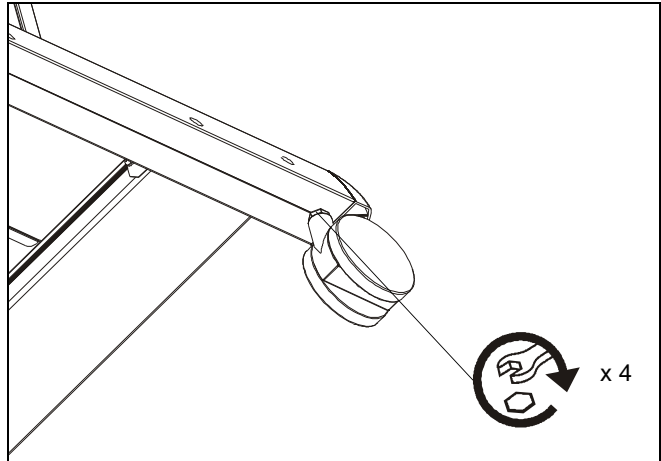


Figure 22

### Removing Display from Cart

1. Remove any padlocks from interface uprights if installed.
2. Position latches on interface uprights so that they are in the "open" position. (See Figure 23)

**⚠ WARNING: DISPLAYS MAY WEIGH IN EXCESS OF 40 LBS!** Always use two people and proper lifting techniques when installing or positioning display on cart.

3. Carefully lift display from cart. (See Figure 23)

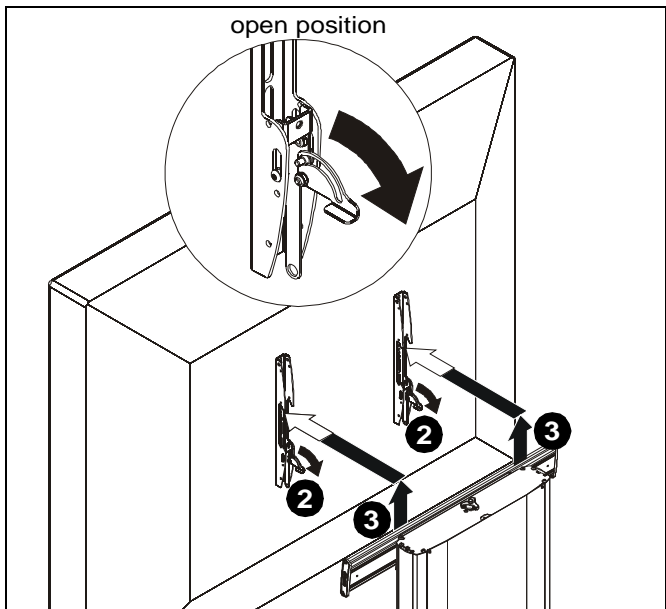


Figure 23

### Opening Rack Box Accessory Doors

#### Front Door

1. Insert key into handle keyhole and turn. (See Figure 24)
2. Lift up handle and turn to free inside latch. (See Figure 24)
3. Pull door open. (See Figure 24)

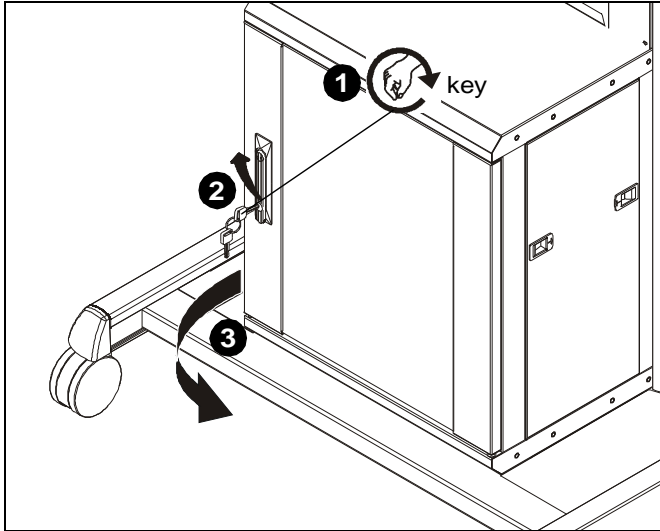


Figure 24

#### Side Doors

1. Push two buckles inside toward each other. (See Figure 25)
2. Pull door open from the top. (See Figure 25)

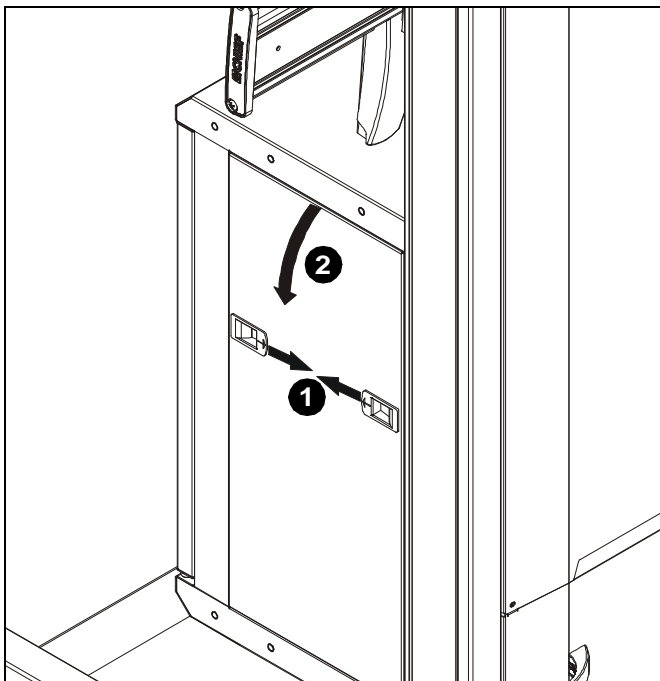


Figure 25

### Reverse Rack Box Accessory Door

1. Turn upper door pin to release from locking tab and pull down to release door from rack and lift door from rack frame. (See Figure 26)
2. Release upper pin and turn it back to secure it under the locking tab. (See Figure 26)

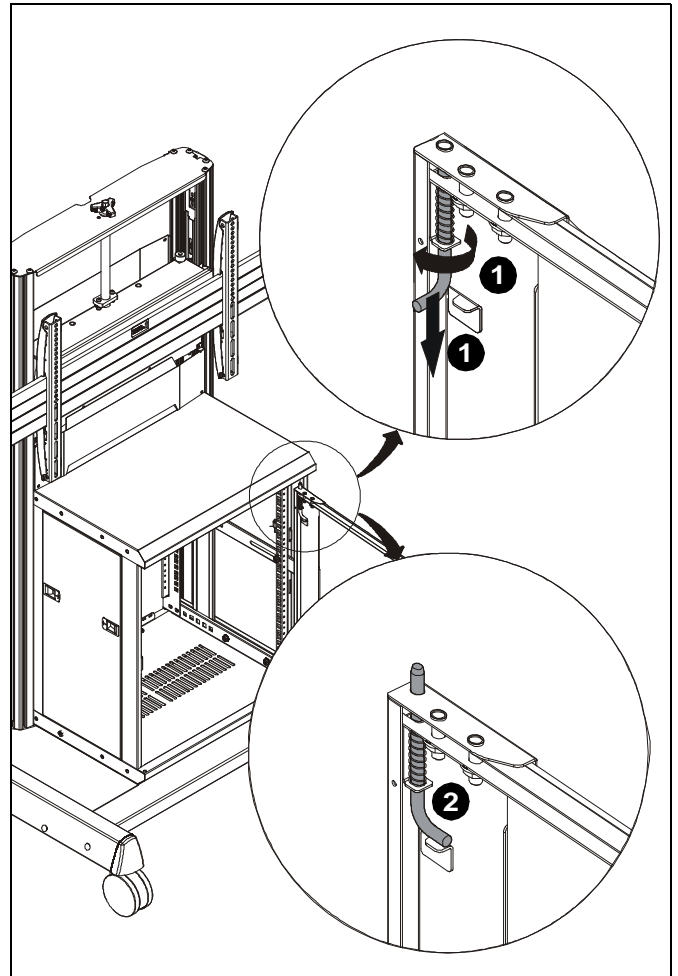


Figure 26

3. Remove spacer from bottom door pin. (See Figure 27)

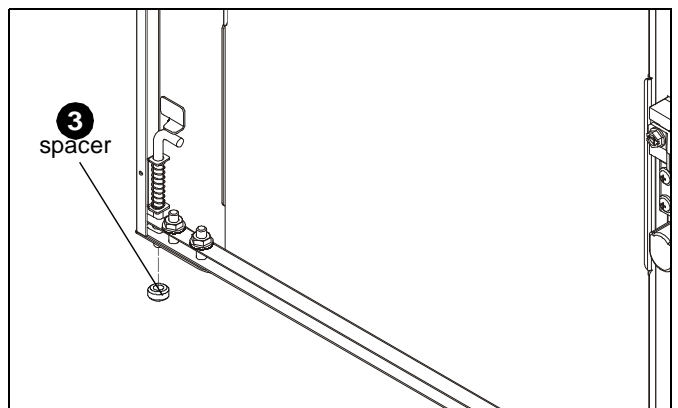


Figure 27

4. Fit spacer onto bottom pin and fit bottom pin into bottom mounting hole in rack. (See Figure 28)
5. Turn upper pin to release from locking tab and pull down. Fit pin into upper mounting hole in rack. (See Figure 28)
6. Release pin and turn pin to secure it under locking tab. (See Figure 28)

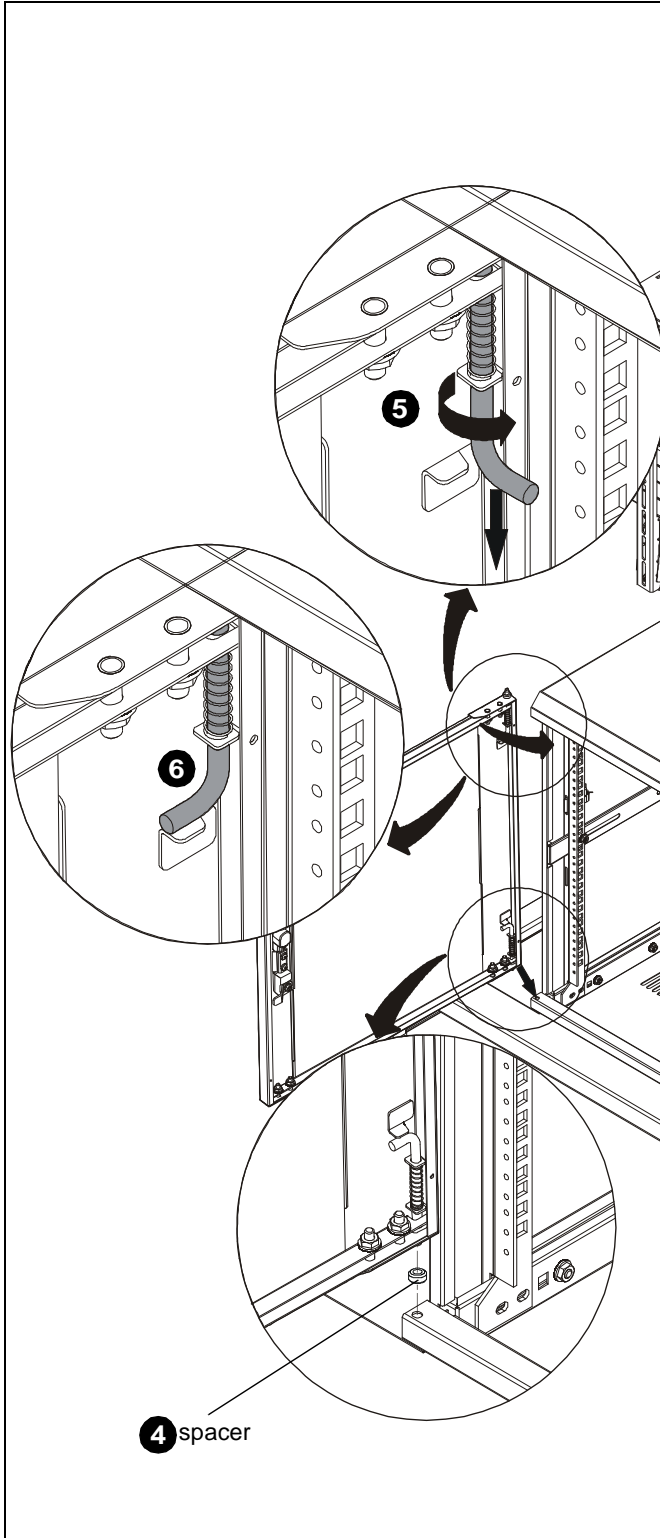


Figure 28

7. Remove screws, washers and bracket from door handle. (See Figure 29)
8. Flip the door handle. (See Figure 29)

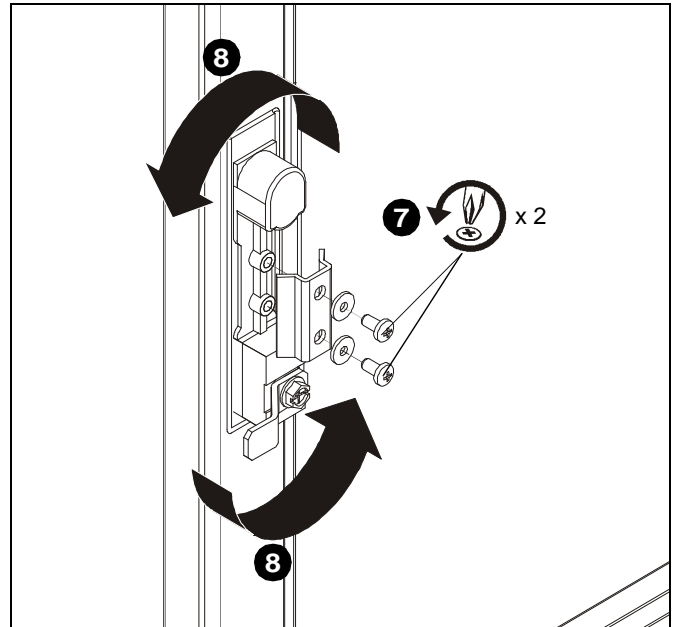


Figure 29

9. Reattach removed screws, washers and bracket to handle. (See Figure 30)
10. Loosen the locking cam screw. (See Figure 30)
11. Flip the locking cam tab to the side nearest the edge of the door. (See Figure 30)
12. Tighten the locking cam screw. (See Figure 30)

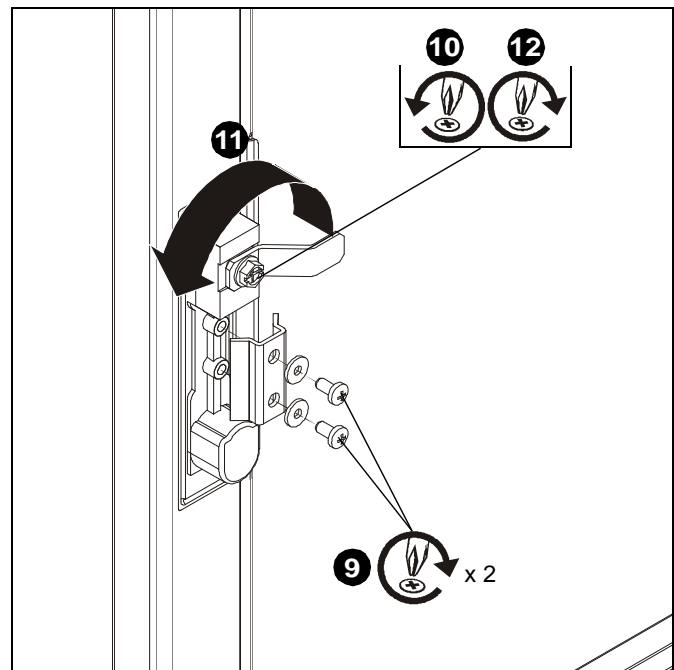
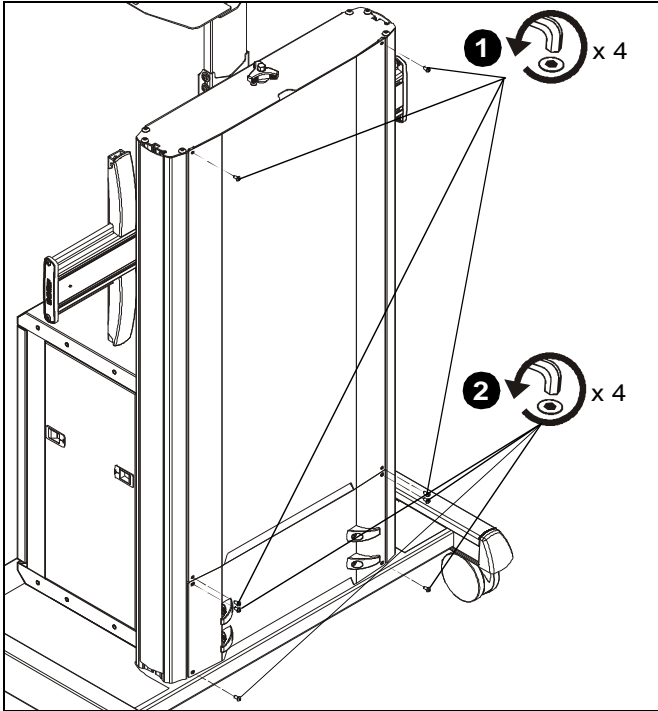


Figure 30

## Rear Cover Removal

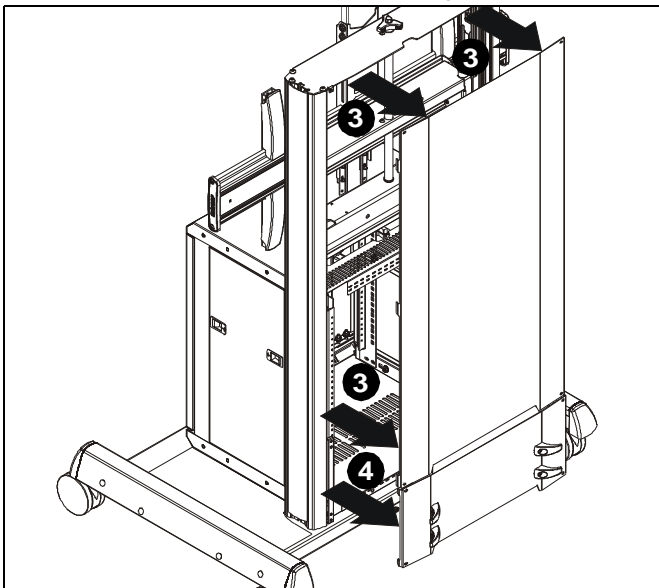
**NOTE:** The upper rear cover will need to be removed to route cables from display. The lower rear cover may also need to be removed depending on the application.

13. Remove four screws securing upper rear cover to cart assembly. (See Figure 31)
14. Remove four screws securing lower rear cover to cart assembly. (See Figure 31)



**Figure 31**

15. Unlatch tabs on one edge of upper rear cover and carefully pull cover away from column. (See Figure 32)
16. Unlatch tabs on one edge of lower rear cover and carefully pull cover away from column. (See Figure 32)



**Figure 32**



Our Mounts. **Your Vision.**

Chief, a products division of  
Milestone AV Technologies

8800-003047 Rev00  
©2018 Milestone AV Technologies  
[www.milestone.com](http://www.milestone.com)  
04/18

<b>USA/International</b>	<b>A</b> 6436 City West Parkway, Eden Prairie, MN 55344 <b>P</b> 800.582.6480 / 952.225.6000 <b>F</b> 877.894.6918 / 952.894.6918
<b>Europe</b>	<b>A</b> Franklinstraat 14, 6003 DK Weert, Netherlands <b>P</b> +31 (0) 495 580 852 <b>F</b> +31 (0) 495 580 845
<b>Asia Pacific</b>	<b>A</b> Office No. 918 on 9/F, Shatin Galleria 18-24 Shan Mei Street Fotan, Shatin, Hong Kong <b>P</b> 852 2145 4099 <b>F</b> 852 2145 4477

