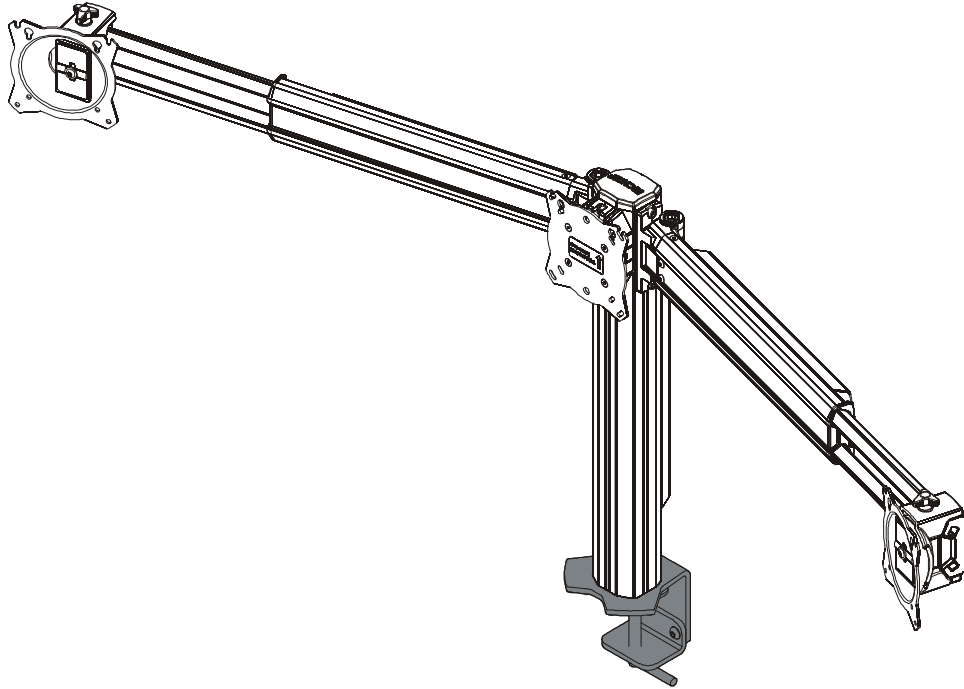

INSTALLATION INSTRUCTIONS



K3 Series Desk Clamp Adapter

DISCLAIMER

Milestone AV Technologies and its affiliated corporations and subsidiaries (collectively "Milestone"), intend to make this manual accurate and complete. However, Milestone makes no claim that the information contained herein covers all details, conditions or variations, nor does it provide for every possible contingency in connection with the installation or use of this product. The information contained in this document is subject to change without notice or obligation of any kind. Milestone makes no representation of warranty, expressed or implied, regarding the information contained herein. Milestone assumes no responsibility for accuracy, completeness or sufficiency of the information contained in this document.

Chief® is a registered trademark of Milestone AV Technologies. All rights reserved.

! IMPORTANT SAFETY INSTRUCTIONS

! WARNING: A WARNING alerts you to the possibility of serious injury or death if you do not follow the instructions.

! CAUTION: A CAUTION alerts you to the possibility of damage or destruction of equipment if you do not follow the corresponding instructions.

! WARNING: Failure to read, thoroughly understand, and follow all instructions can result in serious personal injury, damage to equipment, or voiding of factory warranty! It is the installer's responsibility to make sure all components are properly assembled and installed using the instructions provided.

! WARNING: Failure to provide adequate structural strength for this component can result in serious personal injury or damage to equipment! It is the installer's responsibility to make sure the structure to which this component is attached can support five times the combined weight of all equipment. Reinforce the structure as required before installing the component.

! WARNING: Use this mounting system only for its intended use as described in these instructions. Do not use attachments not recommended by the manufacturer.

! WARNING: Never operate this mounting system if it is damaged. Return the mounting system to a service center for examination and repair.

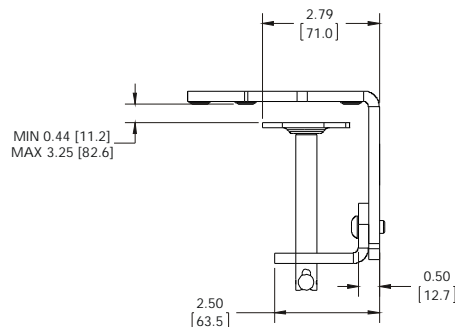
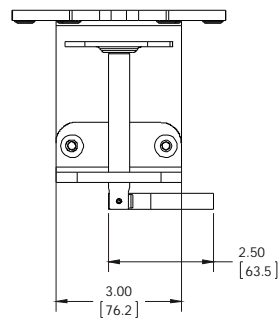
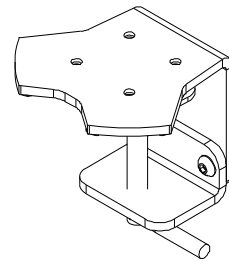
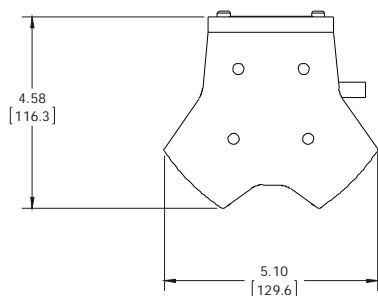
! WARNING: Do not use this product outdoors.

IMPORTANT ! : For use with K3 Series mounts only! Do not attempt to use with any other mount!

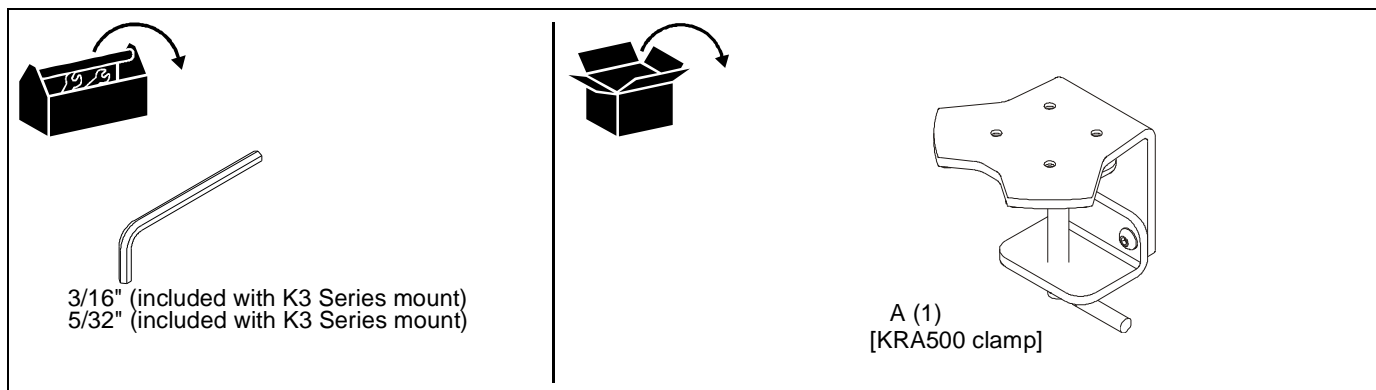
--SAVE THESE INSTRUCTIONS--

DIMENSIONS

NOTE: FOR USE WITH K3 SERIES MOUNTS ONLY



TOOLS / PARTS FOR INSTALLATION



ASSEMBLY AND INSTALLATION

IMPORTANT ! : For use with K3 Series mounts only! Do not attempt to use with any other mount!

1. Use four 1/4-20 x 1 1/4" button head cap screws from K3 Series mount to secure KRA500 clamp to K3 Series column. (See Figure 1)

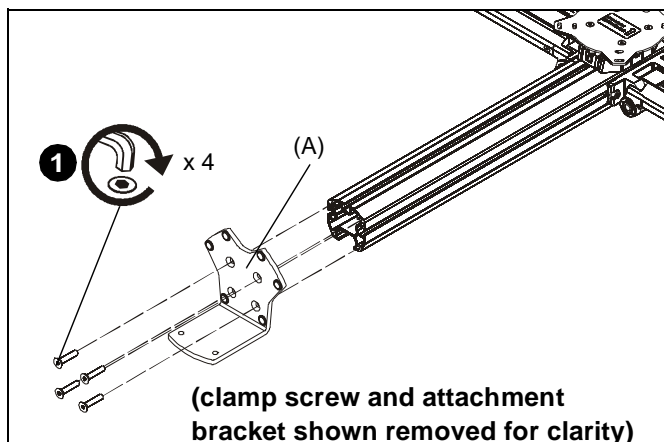


Figure 1

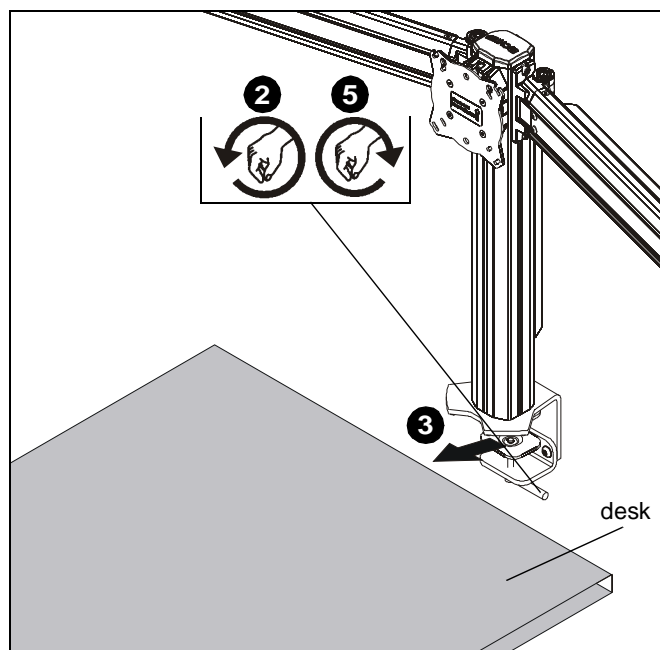


Figure 2

2. Loosen clamp screw until enough space is created between clamp and mount to allow for desk mounting. (See Figure 2)
3. Place mount on top of desk at desired mounting location. (See Figure 2)

NOTE: If space is limited behind desk (i.e. against wall, etc.), remove clamp screw and attachment bracket entirely. (See Figure 3)

4. If removed, reattach clamp screw and attachment bracket below desk. (See Figure 3)
5. Tighten clamp using clamp screw until mount is securely fastened to desk. (See Figure 2)

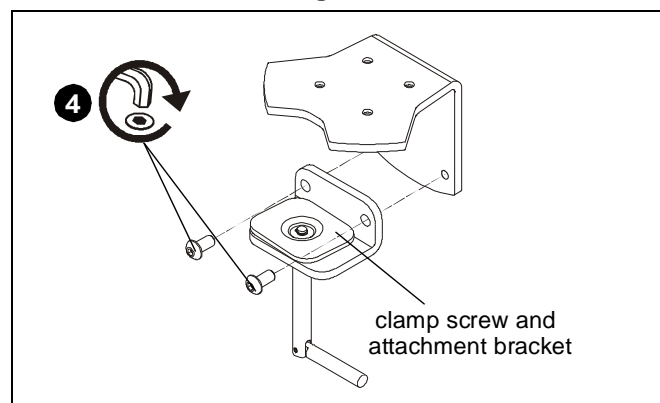


Figure 3

6. Complete the installation following the mount installation instructions.



Our Mounts. **Your Vision.**

Chief Manufacturing, a products division
of Milestone AV Technologies

8800-002258 Rev00
©2013 Milestone AV Technologies, a
Duchossois Group Company
www.chiefmfg.com
02/13

USA/International	A 6436 City West Parkway, Eden Prairie, MN 55344 P 800.582.6480 / 952.225.6000 F 877.894.6918 / 952.894.6918
Europe	A Franklinstraat 14, 6003 DK Weert, Netherlands P +31 (0) 495 580 852 F +31 (0) 495 580 845
Asia Pacific	A Office No. 1 on 12/F, Shatin Galleria 18-24 Shan Mei Street Fotan, Shatin, Hong Kong P 852 2145 4099 F 852 2145 4477

