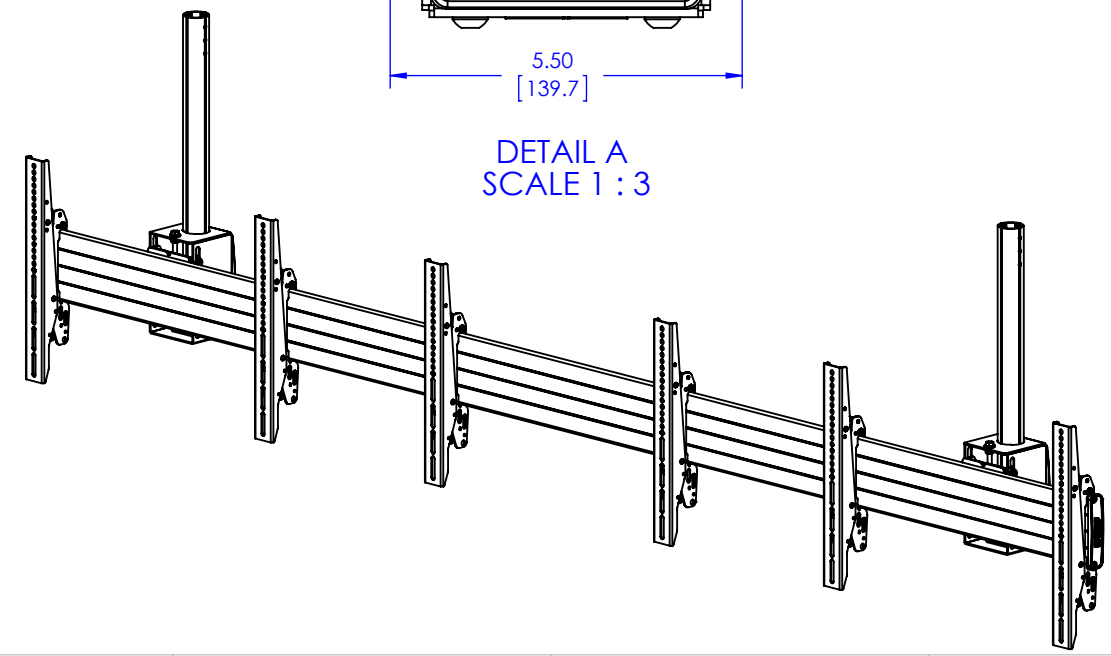


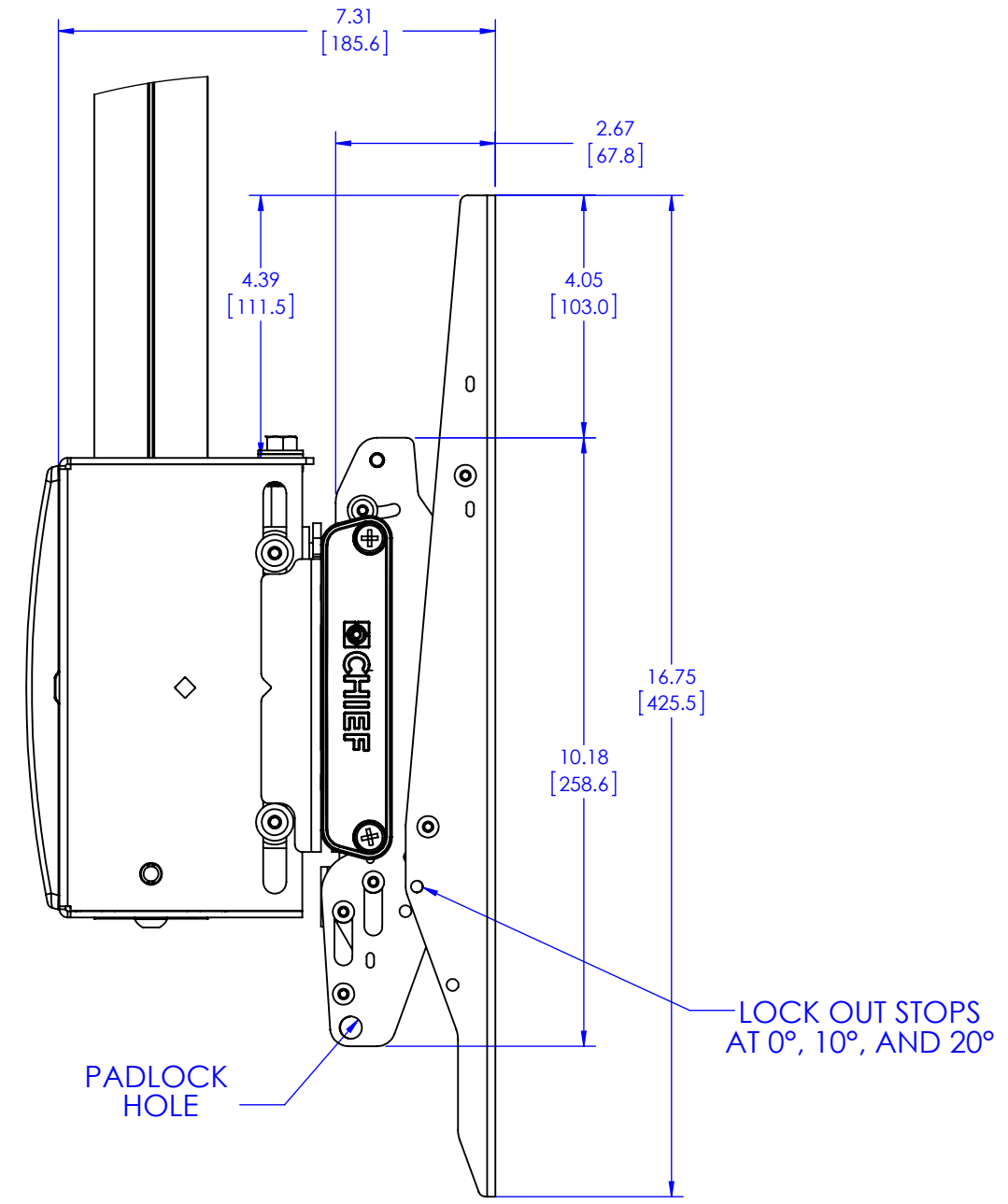
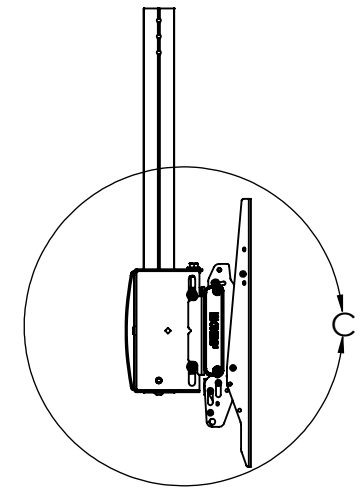
DETAIL A
SCALE 1 : 3

DETAIL B
SCALE 1 : 3

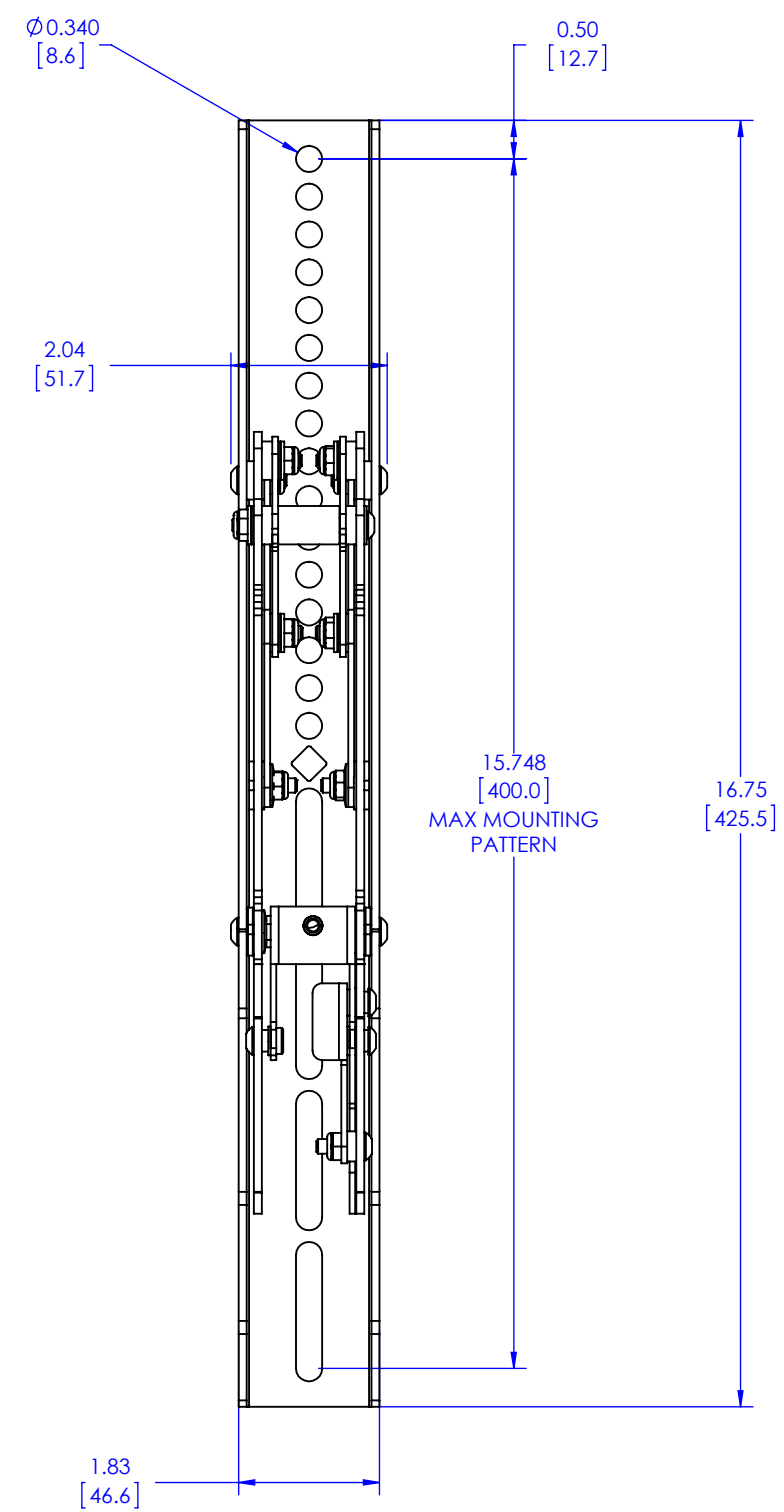


THE INFORMATION AND DESIGNS CONTAINED IN THIS DRAWING ARE CONFIDENTIAL AND THE PROPRIETARY PROPERTY OF MILESTONE AV TECHNOLOGIES NEITHER THIS DESIGN NOR ANY INFORMATION CONTAINED IN THIS DRAWING MAY BE REPRODUCED OR DISCLOSED TO OTHERS WITHOUT THE EXPRESS WRITTEN CONSENT OF MILESTONE AV TECHNOLOGIES.

CAD GENERATED DRAWING, DO NOT MANUALLY UPDATE.		CHIEF	6436 CITY WEST PKWY EDEN PRAIRIE MN, 55344 PHONE: 866-977-3901 FAX: 877-894-6918	
DRAWN BY	JAB 2/22/2013		DESCRIPTION	
ENG APPROVAL		LCM3X1U TECH DRAWING		
MFG APPROVAL		MODEL NO.		
QA APPROVAL		LCM3X1U		
SHEET 1 OF 6		SCALE	SIZE	DWG. NO.
		1:24	B	TECH-000333
				REV.
				02

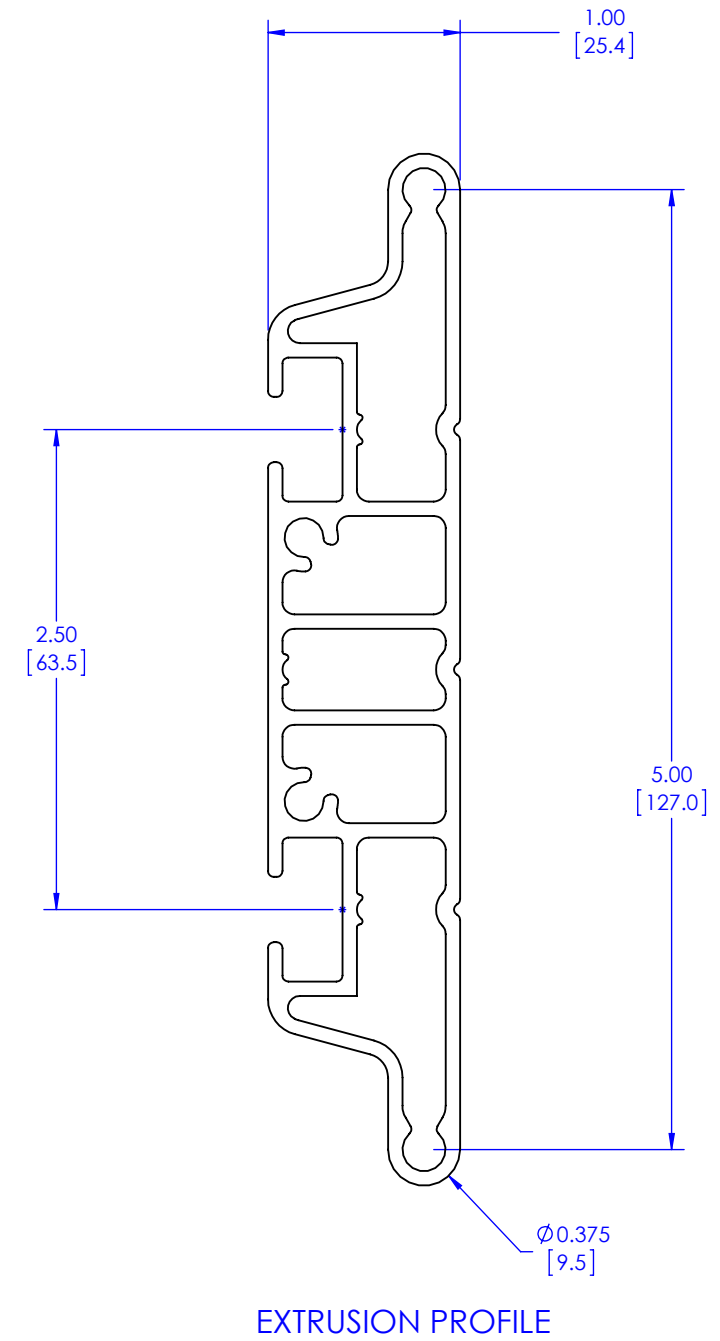


DETAIL C
SCALE 1 : 3

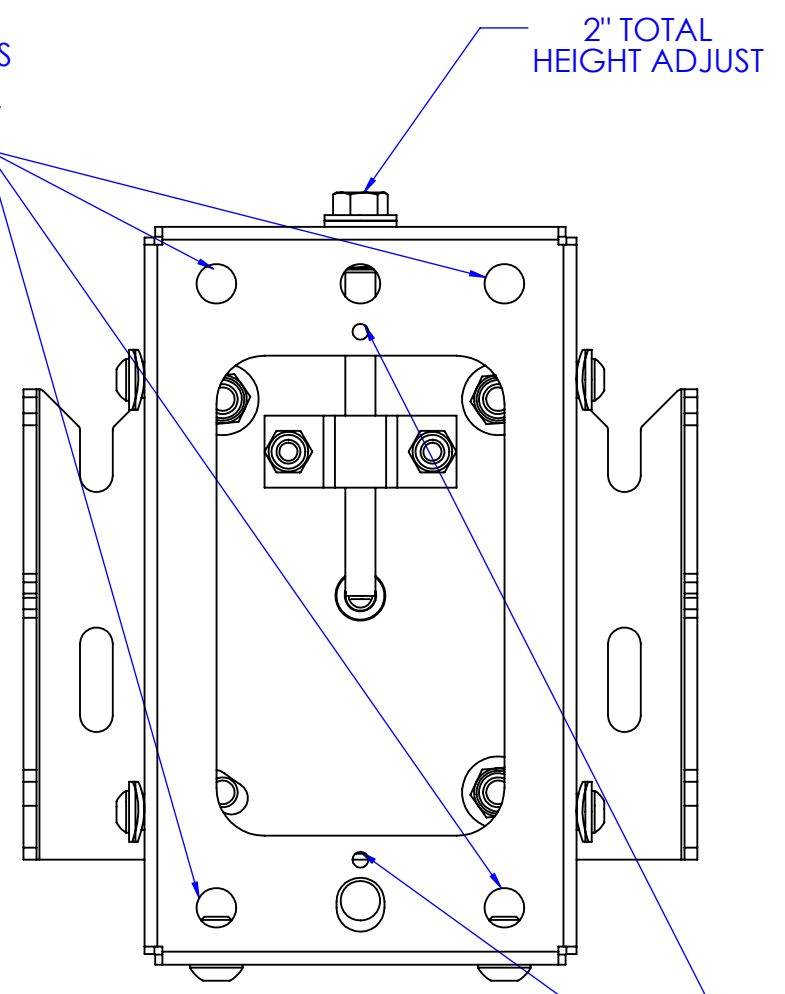


THE INFORMATION AND DESIGNS CONTAINED IN THIS DRAWING ARE CONFIDENTIAL AND THE PROPRIETARY PROPERTY OF MILESTONE AV TECHNOLOGIES NEITHER THIS DESIGN NOR ANY INFORMATION CONTAINED IN THIS DRAWING MAY BE REPRODUCED OR DISCLOSED TO OTHERS WITHOUT THE EXPRESS WRITTEN CONSENT OF MILESTONE AV TECHNOLOGIES.

CAD GENERATED DRAWING, DO NOT MANUALLY UPDATE.			6436 CITY WEST PKWY EDEN PRAIRIE MN, 55344 PHONE: 866-977-3901 FAX: 877-894-6918
DRAWN BY	JAB	2/22/2013	
ENG APPROVAL			DESCRIPTION
MFG APPROVAL			LCM3X1U TECH DRAWING
QA APPROVAL			MODEL NO.
SHEET 2 OF 6			LCM3X1U
SCALE	1:24	SIZE	DWG. NO.
		B	TECH-000333
			REV.
			02



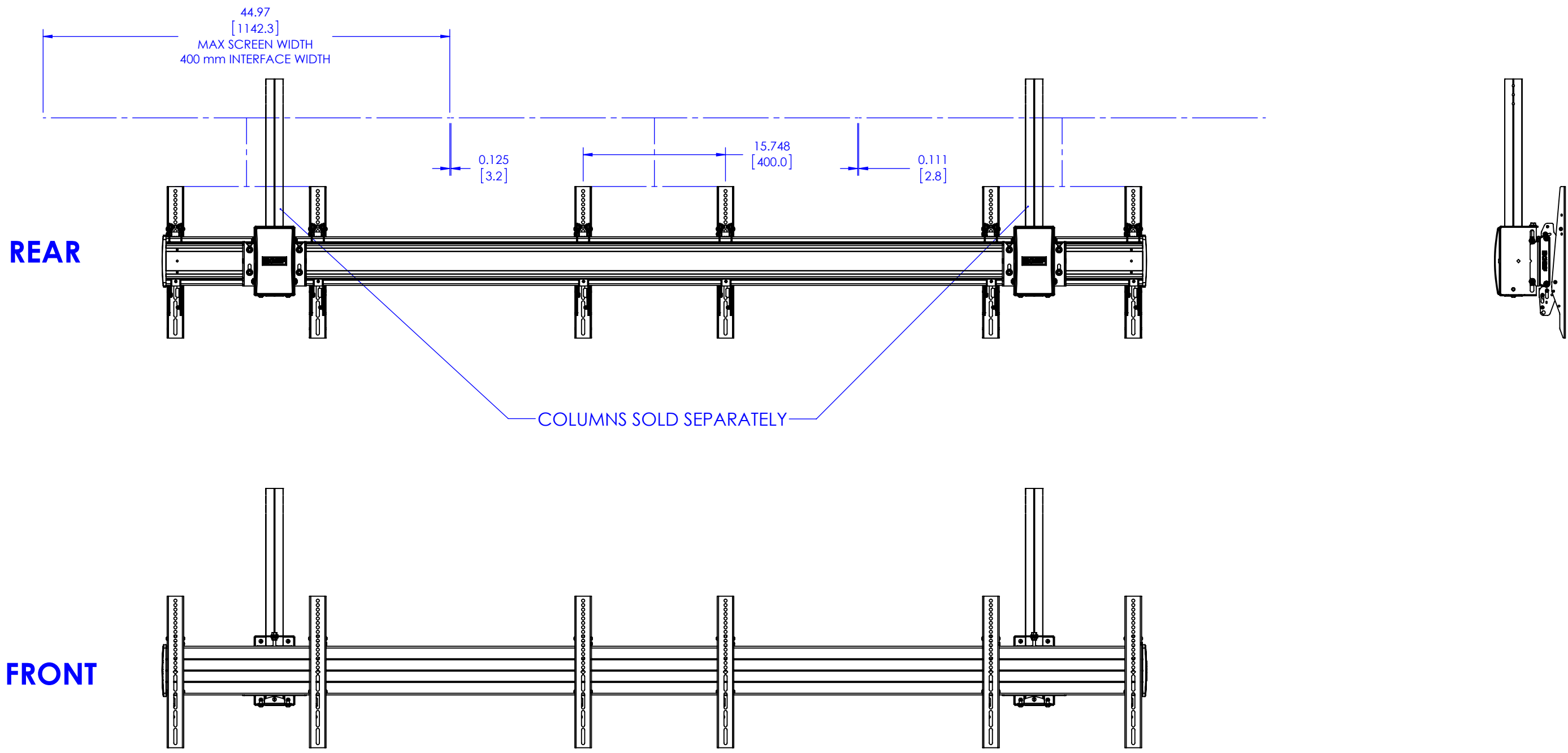
FOR MOUNTING
OPTIONAL CPU ENCLOSURES
FCA510 AND FCA515
OR ATTACHING BACK ROW
FOR MENU BOARD



FOR ATTACHING
FCA540 OUTLET
BOX ACCESSORY

THE INFORMATION AND DESIGNS CONTAINED IN THIS DRAWING ARE CONFIDENTIAL AND THE PROPRIETARY PROPERTY OF MILESTONE AV TECHNOLOGIES NEITHER THIS DESIGN NOR ANY INFORMATION CONTAINED IN THIS DRAWING MAY BE REPRODUCED OR DISCLOSED TO OTHERS WITHOUT THE EXPRESS WRITTEN CONSENT OF MILESTONE AV TECHNOLOGIES.

CAD GENERATED DRAWING, DO NOT MANUALLY UPDATE.			6436 CITY WEST PKWY EDEN PRAIRIE MN, 55344 PHONE: 866-977-3901 FAX: 877-894-6918		
DRAWN BY	JAB	2/22/2013	DESCRIPTION		
ENG APPROVAL			LCM3X1U TECH DRAWING		
MFG APPROVAL			MODEL NO.		
QA APPROVAL			LCM3X1U		
SHEET 3 OF 6		SCALE	SIZE	DWG. NO.	REV.
		1:4	B	TECH-000333	02



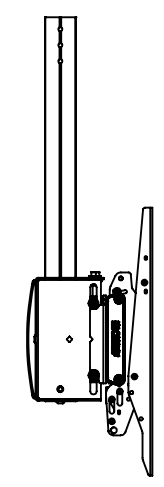
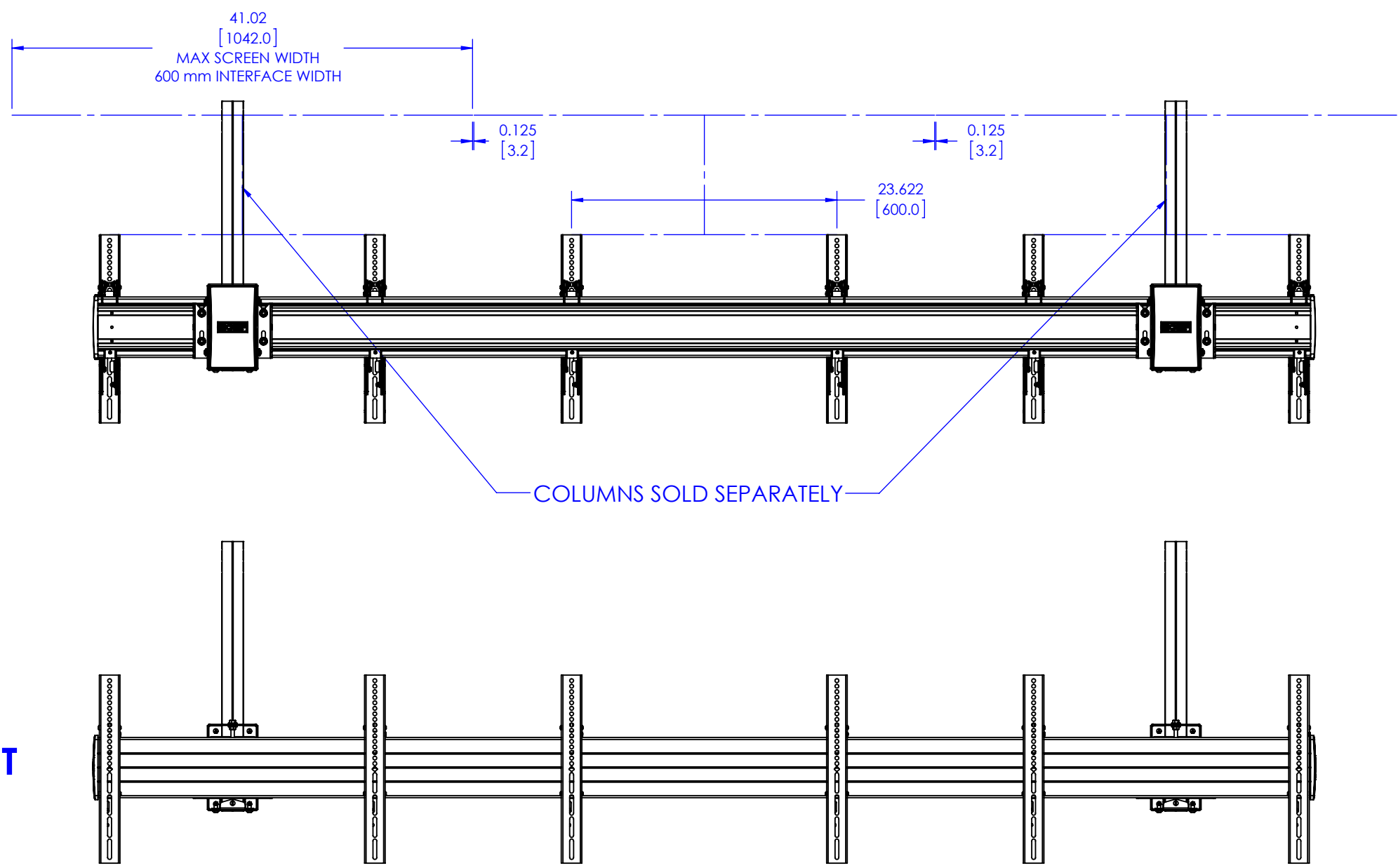
THE INFORMATION AND DESIGNS CONTAINED IN THIS DRAWING ARE CONFIDENTIAL AND THE PROPRIETARY PROPERTY OF MILESTONE AV TECHNOLOGIES NEITHER THIS DESIGN NOR ANY INFORMATION CONTAINED IN THIS DRAWING MAY BE REPRODUCED OR DISCLOSED TO OTHERS WITHOUT THE EXPRESS WRITTEN CONSENT OF MILESTONE AV TECHNOLOGIES.

CAD GENERATED DRAWING, DO NOT MANUALLY UPDATE.			6436 CITY WEST PKWY EDEN PRAIRIE MN, 55344 PHONE: 866-977-3901 FAX: 877-894-6918
DRAWN BY	JAB	2/22/2013	
ENG APPROVAL			DESCRIPTION
MFG APPROVAL			LCM3X1U TECH DRAWING
QA APPROVAL			MODEL NO.
SHEET 4 OF 6			LCM3X1U
SCALE	1:24	SIZE	DWG. NO.
		B	TECH-000333
			REV.
			02

D
C
B
A

REAR

FRONT



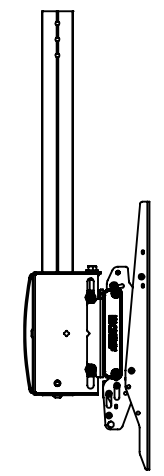
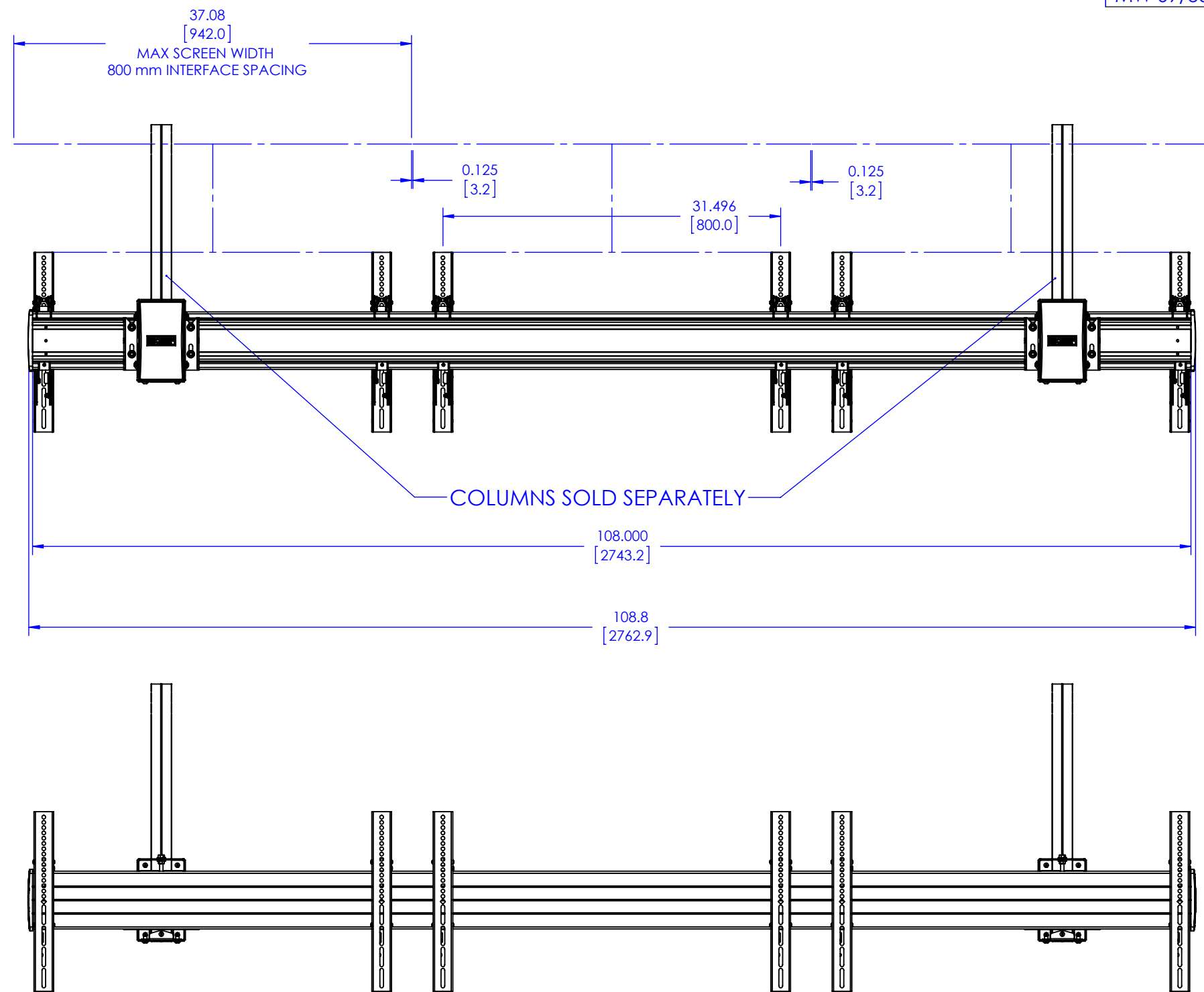
THE INFORMATION AND DESIGNS CONTAINED IN THIS DRAWING ARE CONFIDENTIAL AND THE PROPRIETARY PROPERTY OF MILESTONE AV TECHNOLOGIES NEITHER THIS DESIGN NOR ANY INFORMATION CONTAINED IN THIS DRAWING MAY BE REPRODUCED OR DISCLOSED TO OTHERS WITHOUT THE EXPRESS WRITTEN CONSENT OF MILESTONE AV TECHNOLOGIES.

CAD GENERATED DRAWING, DO NOT MANUALLY UPDATE.			6436 CITY WEST PKWY EDEN PRAIRIE MN, 55344 PHONE: 866-977-3901 FAX: 877-894-6918
DRAWN BY	JAB	2/22/2013	
ENG APPROVAL			DESCRIPTION
MFG APPROVAL			LCM3X1U TECH DRAWING
QA APPROVAL			MODEL NO.
SHEET 5 OF 6			LCM3X1U
SCALE	1:24	SIZE	DWG. NO.
		B	TECH-000333
			REV.
			02

D
C
B
A

REAR

FRONT



THE INFORMATION AND DESIGNS CONTAINED IN THIS DRAWING ARE CONFIDENTIAL AND THE PROPRIETARY PROPERTY OF MILESTONE AV TECHNOLOGIES NEITHER THIS DESIGN NOR ANY INFORMATION CONTAINED IN THIS DRAWING MAY BE REPRODUCED OR DISCLOSED TO OTHERS WITHOUT THE EXPRESS WRITTEN CONSENT OF MILESTONE AV TECHNOLOGIES.

CAD GENERATED DRAWING, DO NOT MANUALLY UPDATE.			6436 CITY WEST PKWY EDEN PRAIRIE MN, 55344 PHONE: 866-977-3901 FAX: 877-894-6918	
DRAWN BY	JAB	2/22/2013		
ENG APPROVAL			DESCRIPTION LCM3X1U TECH DRAWING	
MFG APPROVAL			MODEL NO. LCM3X1U	
QA APPROVAL			SIZE B	DWG. NO. TECH-000333
SHEET 6 OF 6			SCALE 1:24	REV. 02