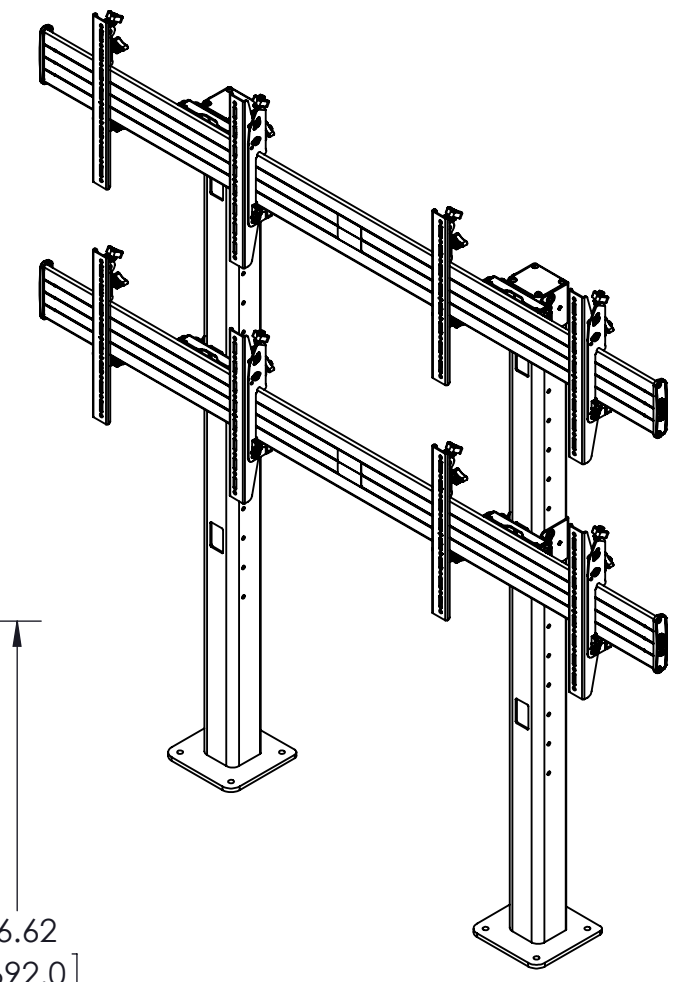
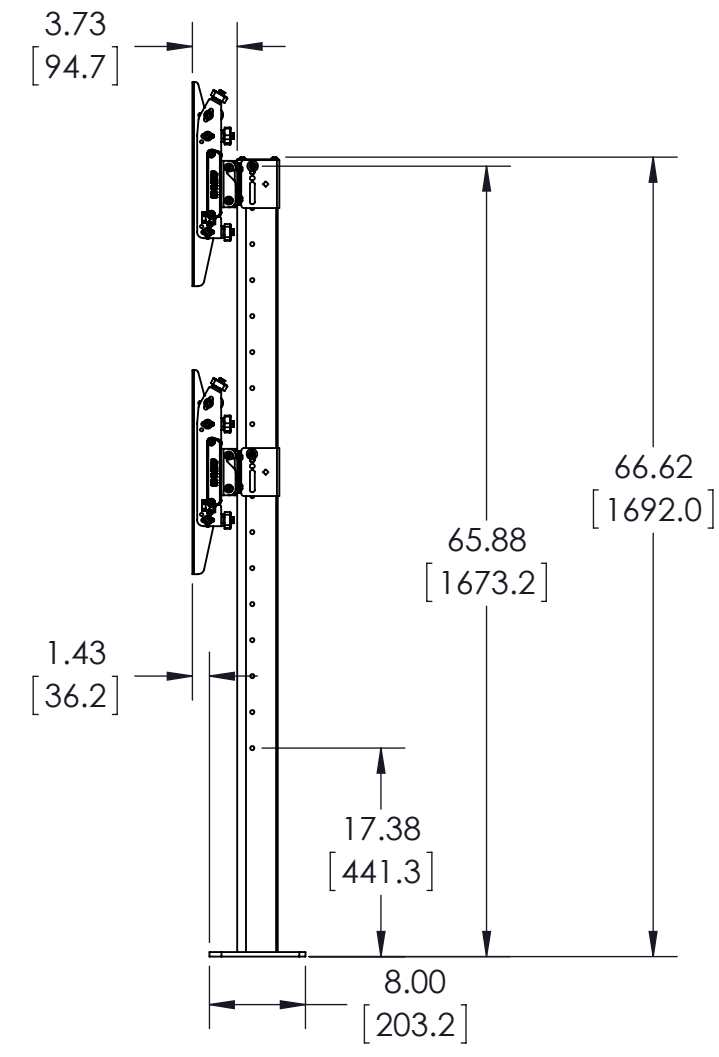
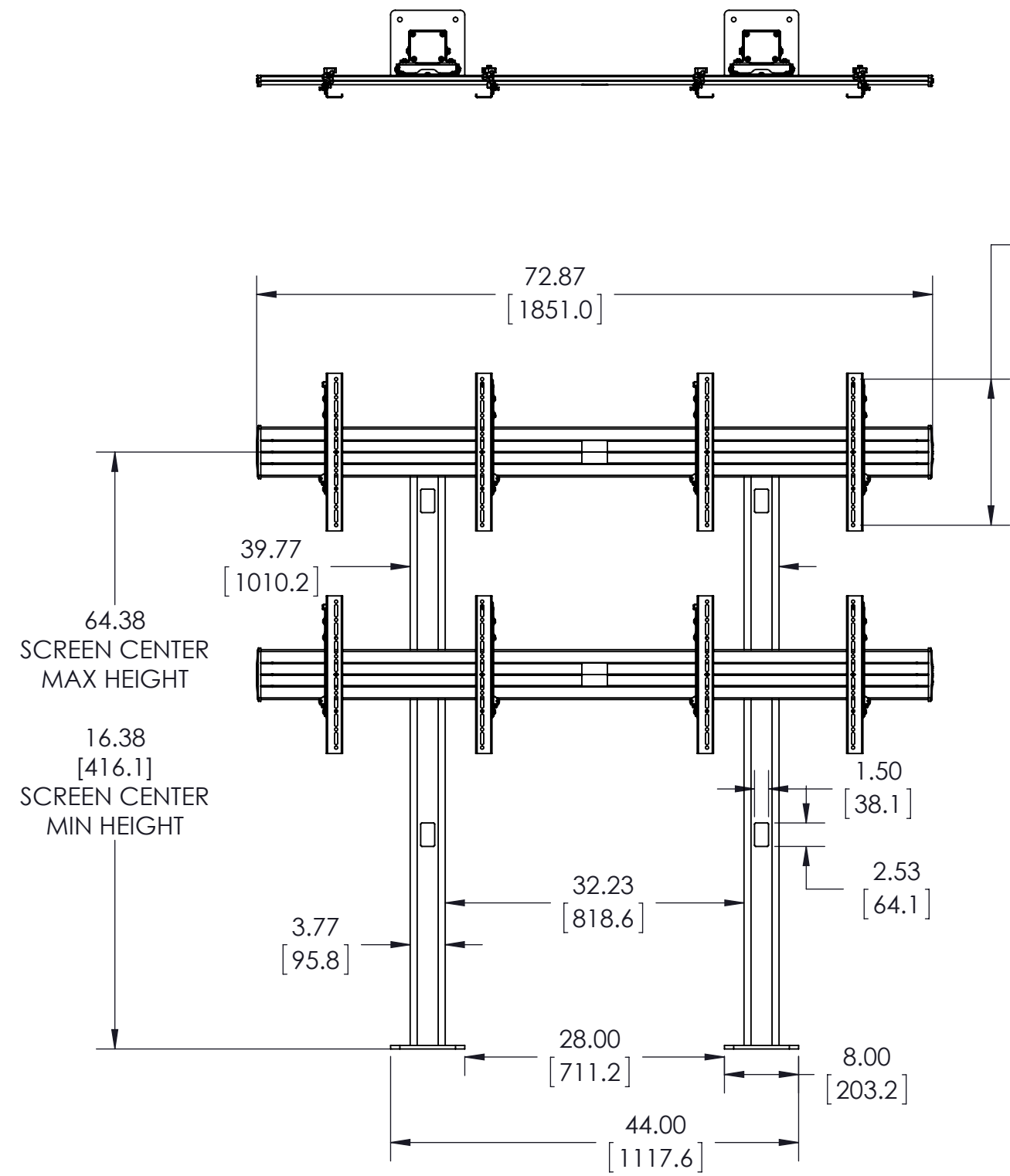


**MAX WEIGHT:  
125 LBS PER DISPLAY  
500 LBS TOTAL CAPACITY**

D  
C  
B  
A

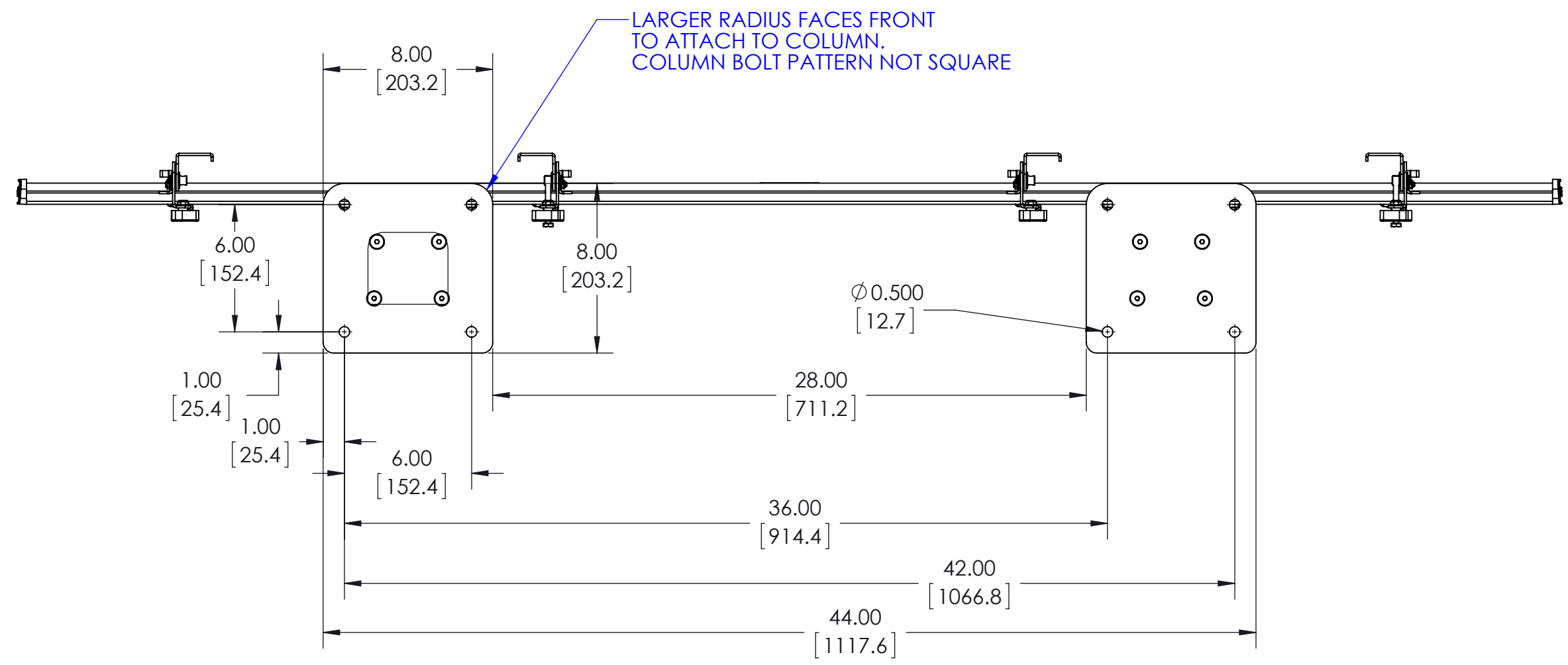
D  
C  
B  
A



**THE INFORMATION AND DESIGNS CONTAINED IN THIS DRAWING ARE CONFIDENTIAL AND THE PROPRIETARY PROPERTY OF MILESTONE AV TECHNOLOGIES NEITHER THIS DESIGN NOR ANY INFORMATION CONTAINED IN THIS DRAWING MAY BE REPRODUCED OR DISCLOSED TO OTHERS WITHOUT THE EXPRESS WRITTEN CONSENT OF MILESTONE AV TECHNOLOGIES.**

CAD GENERATED DRAWING, DO NOT MANUALLY UPDATE.			<b>CHIEF</b> 6436 CITY WEST PKWY EDEN PRAIRIE MN, 55344 PHONE: 866-977-3901 FAX: 877-894-6918	
DRAWN BY	MJS	12/6/2012	DESCRIPTION <b>LBM2X2U, BOLT DOWN FUSION 2X2 VIDEO WALL</b>	
ENG APPROVAL	MJS	12/6/2012	MODEL NO. <b>LBM2X2U</b>	
MFG APPROVAL			REV. <b>00</b>	
QA APPROVAL			SCALE <b>1:16</b>	
SHEET 1 OF 2		SIZE <b>B</b>	DWG. NO. <b>TECH-000125</b>	

# BOTTOM VIEW FOR BOLT DOWN INSTALATION



THE INFORMATION AND DESIGNS CONTAINED IN THIS DRAWING ARE CONFIDENTIAL AND THE PROPRIETARY PROPERTY OF MILESTONE AV TECHNOLOGIES NEITHER THIS DESIGN NOR ANY INFORMATION CONTAINED IN THIS DRAWING MAY BE REPRODUCED OR DISCLOSED TO OTHERS WITHOUT THE EXPRESS WRITTEN CONSENT OF MILESTONE AV TECHNOLOGIES.

CAD GENERATED DRAWING, DO NOT MANUALLY UPDATE.			6436 CITY WEST PKWY EDEN PRAIRIE MN, 55344 PHONE: 866-977-3901 FAX: 877-894-6918
DRAWN BY	MJS	12/6/2012	
ENG APPROVAL	MJS	12/6/2012	DESCRIPTION <b>LBM2X2U, BOLT DOWN FUSION 2X2 VIDEO WALL</b>
MFG APPROVAL			MODEL NO. <b>LBM2X2U</b>
QA APPROVAL			SIZE DWG. NO. REV. <b>B TECH-000125 00</b>
SHEET 2 OF 2			SCALE <b>1:6</b>