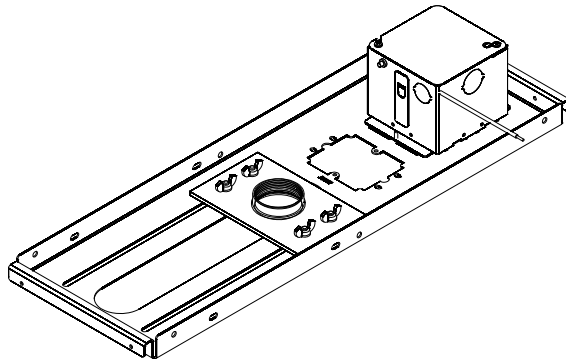
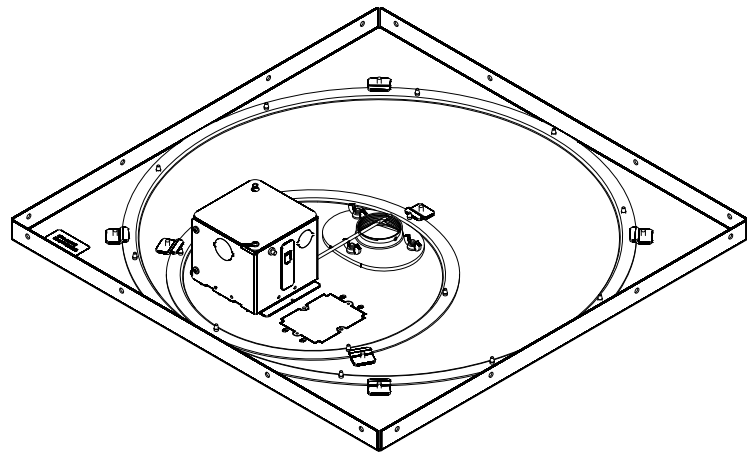

INSTALLATION INSTRUCTIONS

ADDENDUM



CMS440N



CMS445N

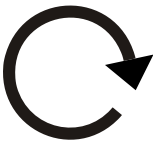
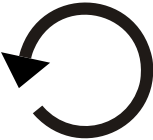
Above-Tile and Ceiling Tile Kits

DISCLAIMER




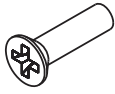





Legrand | AV and its affiliated corporations and subsidiaries (collectively "Legrand | AV"), intend to make this manual accurate and complete. However, Legrand | AV makes no claim that the information contained herein covers all details, conditions or variations, nor does it provide for every possible contingency in connection with the installation or use of this product. The information contained in this document is subject to change without notice or obligation of any kind. Legrand | AV makes no representation of warranty, expressed or implied, regarding the information contained herein. Legrand | AV assumes no responsibility for accuracy, completeness or sufficiency of the information contained in this document.

Chief® is a registered trademark of Legrand AV Inc.

LEGEND

	Tighten Fastener		Pencil Mark
	Apretar elemento de fijación		Marcar con lápiz
	Befestigungsteil festziehen		Stiftmarkierung
	Apertar fixador		Marcar com lápis
	Serrare il fissaggio		Segno a matita
	Bevestiging vastdraaien		Potloodmerkten
Serrez les fixations	Marquage au crayon		
	Loosen Fastener		Phillips Screwdriver
	Aflojar elemento de fijación		Destornillador Phillips
	Befestigungsteil lösen		Kreuzschlitzschraubendreher
	Desapertar fixador		Chave de fendas Phillips
	Allentare il fissaggio		Cacciavite a stella
	Bevestiging losdraaien		Kruiskopschroevendraaier
	Desserrez les fixations		Tournevis à pointe cruciforme

TOOLS REQUIRED FOR INSTALLATION / ADDITIONAL PARTS

			
		<p>A (1) 6-32 x 1/2"</p>	
		<p>Grounding screw and washer installed at factory (See Figures 3 and 7)</p>	
			
		<p>10-32 x 3/8" #10</p>	
		<p>Earthing symbol IEC 60418 No. 5019 affixed adjacent to grounding terminal.</p>	



WARNING: IMPROPER INSTALLATION CAN RESULT IN DEATH OR SERIOUS PERSONAL INJURY! This accessory should be installed by qualified personnel.

IMPORTANT ! : In addition to the CMS440 and CMS445 installation instructions accompanying the products, the following steps must also be taken when installing the **CMS440N** and **CMS445N**.

A 15 Amp duplex outlet (not included) may be installed into the CMS440N and CMS445N, and the CMS440/445N must then be connected to a 15 Amp branch circuit.

CMS440N

1. Cut a hole in the ceiling tile around the outlet side of the electrical box so that the ceiling tile will fit over the CMS440N. (See Figure 1)

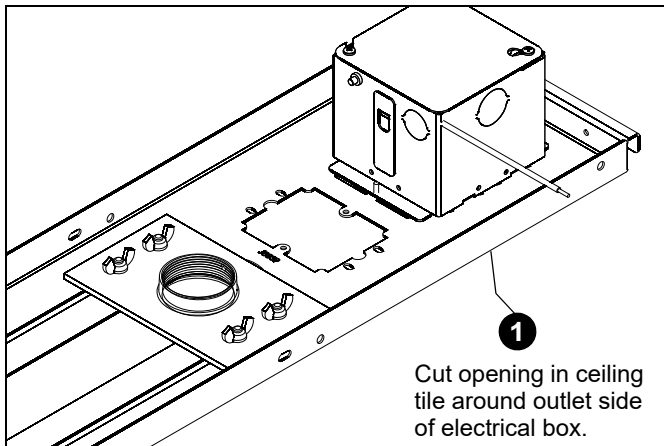


Figure 1

2. Install a 15 Amp duplex outlet (not included) into the electrical box.
3. Loosen two Phillips head screws on the electrical box.
4. Remove electrical box cover. (See Figure 2)

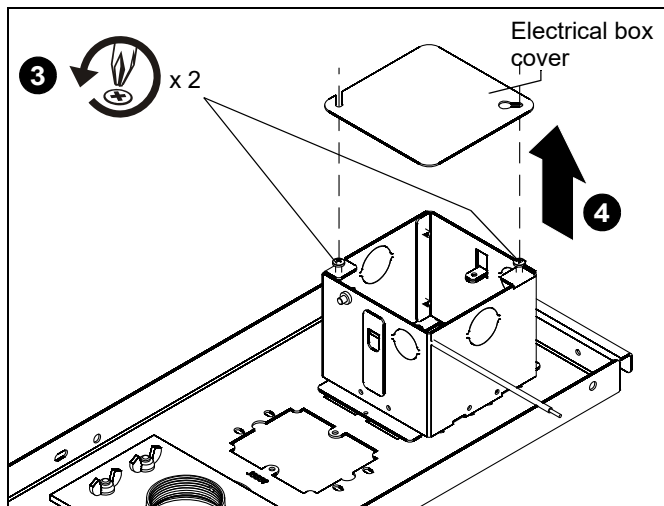


Figure 2



WARNING: IMPROPER WIRING CAN LEAD TO DEATH OR SEVERE PERSONAL INJURY! Grounding must be installed by qualified personnel using a UL Recognized No. 12AWG Green grounding wire connected to grounding lug on box.



WARNING: ELECTRICAL SHOCK HAZARD! Turn off power to device before performing service.

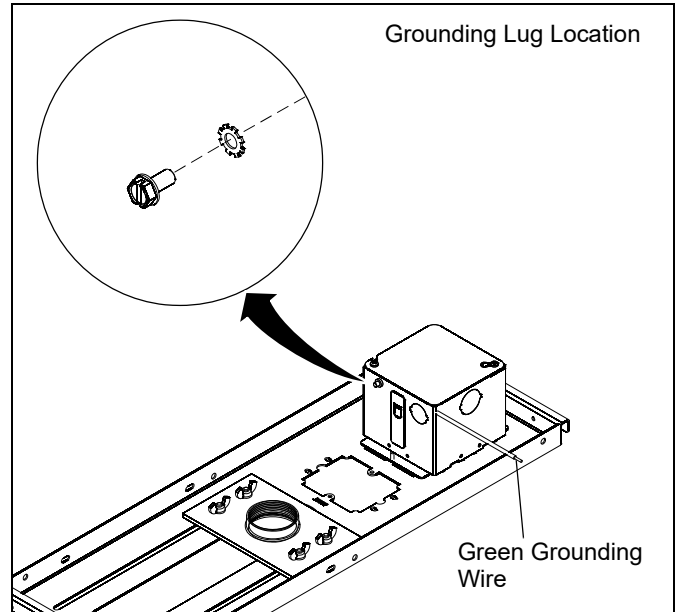


Figure 3

5. Wire the CMS440N as required.
6. Replace the electrical box cover. (See Figure 4)
7. Tighten two Phillips head screws in electrical box cover.

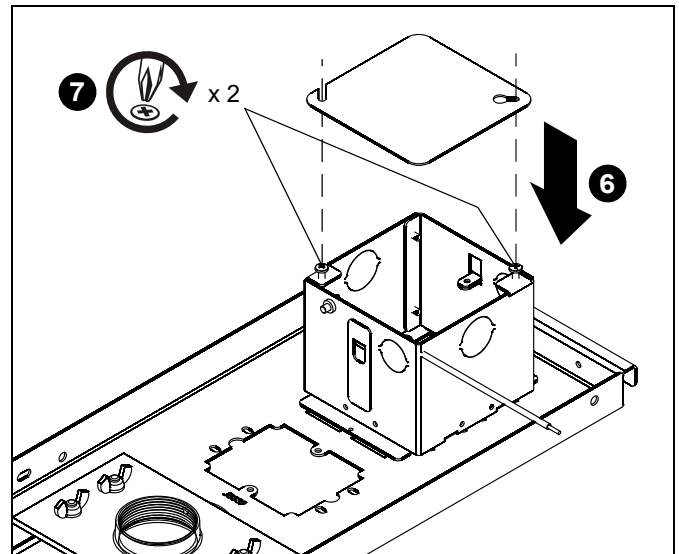


Figure 4

- Attach face plate (not included) using one 6-32 x 1/2" Phillips flat head screw (A) after the CMS440N has been installed. (See Figure 5)



WARNING: ELECTRICAL SHOCK HAZARD! Turn off power to device before performing service.

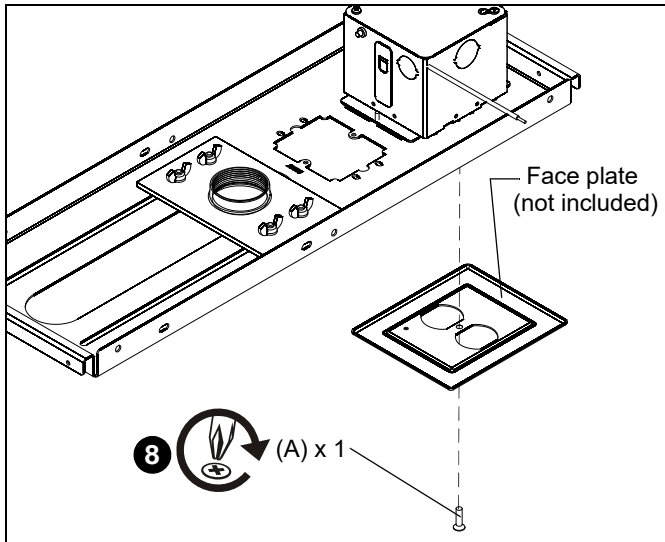


Figure 5

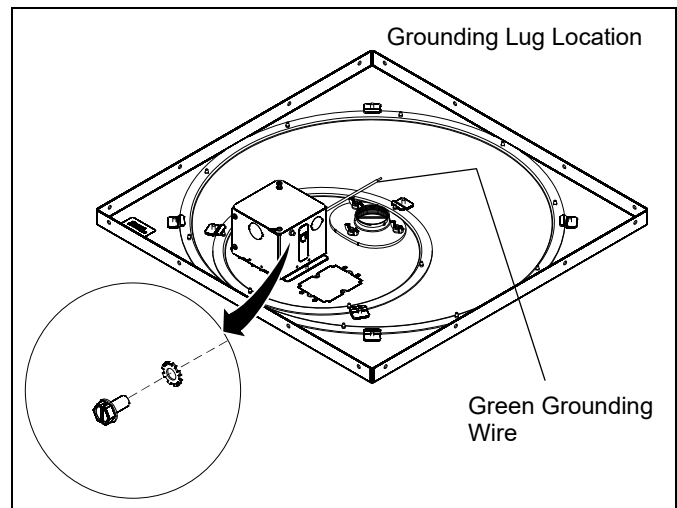


Figure 7

CMS445N

- Install a 15 Amp duplex outlet (not included) into the electrical box.
- Loosen two Phillips head screws on the electrical box.
- Remove electrical box cover. (See Figure 6)

- Wire the CMS445N as required.
- Replace the electrical box cover. (See Figure 8)
- Tighten two Phillips head screws in electrical box cover.

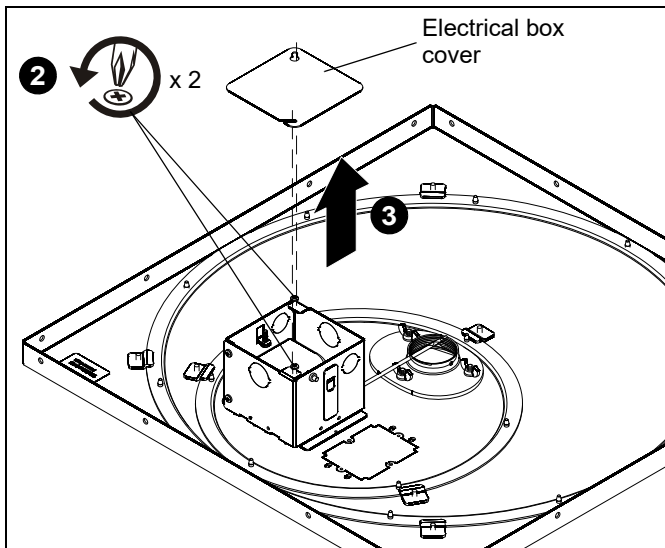


Figure 6

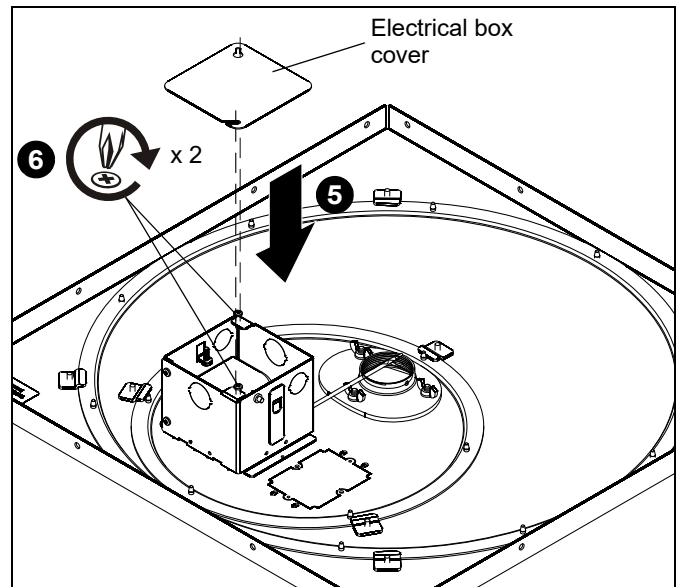


Figure 8



WARNING: IMPROPER WIRING CAN LEAD TO DEATH OR SEVERE PERSONAL INJURY! Grounding must be installed by qualified personnel using a UL Recognized No. 12AWG Green grounding wire connected to grounding lug on box.

7. Attach face plate (not included) using one 6-32 x 1/2" Phillips flat head screw (A) after the CMS445N has been installed. (See Figure 9)

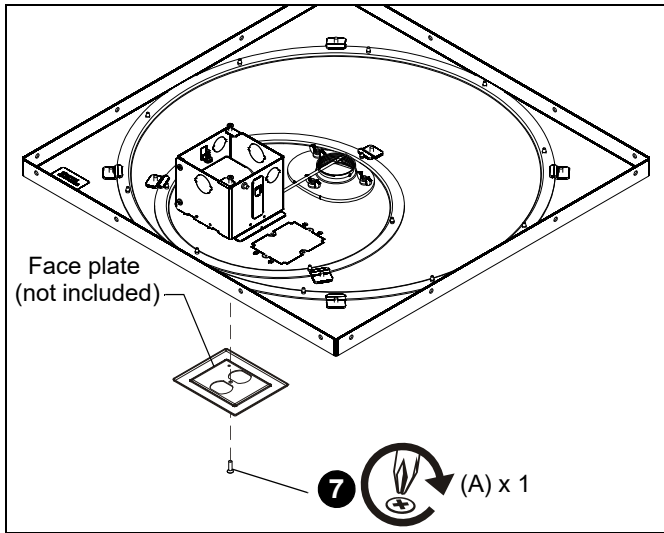


Figure 9



8800-003082 Rev00
©2019 Legrand | AV
www.legrandav.com
12/19

USA/International	A 6436 City West Parkway, Eden Prairie, MN 55344 P 800.582.6480 / 952.225.6000 F 877.894.6918 / 952.894.6918
Europe	A Franklinstraat 14, 6003 DK Weert, Netherlands P +31 (0) 495 580 852 F +31 (0) 495 580 845
Asia Pacific	A Office No. 918 on 9/F, Shatin Galleria 18-24 Shan Mei Street Fotan, Shatin, Hong Kong P 852 2145 4099 F 852 2145 4477

