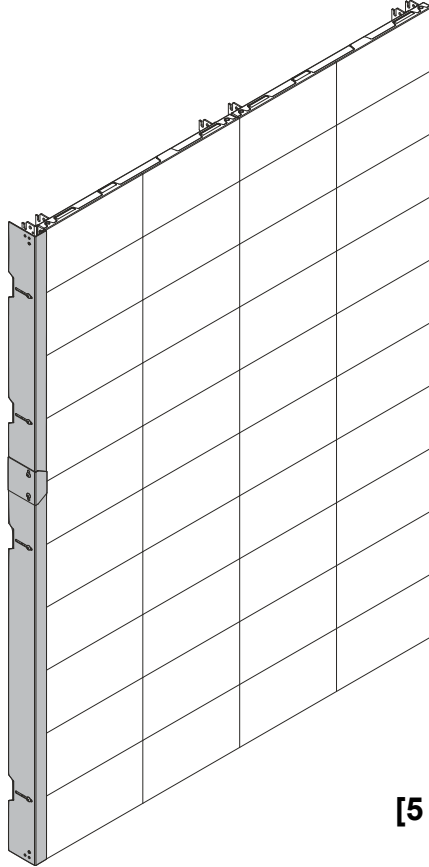


---

# INSTALLATION INSTRUCTIONS

---



[5 high shown as example]

---

## LED Wall Side Covers for 27" Panels

---

---

**CHIEF**<sup>®</sup>

A brand of  legrand<sup>®</sup>

**TILSC27U2/TILSC27U3**

---

## DISCLAIMER

Legrand | AV and its affiliated corporations and subsidiaries (collectively "Legrand | AV"), intend to make this manual accurate and complete. However, Legrand | AV makes no claim that the information contained herein covers all details, conditions or variations, nor does it provide for every possible contingency in connection with the installation or use of this product. The information contained in this document is subject to change without notice or obligation of any kind. Legrand | AV makes no representation of warranty, expressed or implied, regarding the information contained herein. Legrand | AV assumes no responsibility for accuracy, completeness or sufficiency of the information contained in this document.

Chief® is a registered trademark of Legrand AV Inc.

## DEFINITIONS

**MOUNTING SYSTEM:** A MOUNTING SYSTEM is the primary Chief product to which an accessory and/or component is attached.

**ACCESSORY:** AN ACCESSORY is the secondary Chief product which is attached to a primary Chief product, and may have a component attached or setting on it.

**COMPONENT:** A COMPONENT is an audiovisual item designed to be attached or resting on an accessory or mounting system such as a video camera, CPU, screen, display, projector, etc.



**WARNING:** A WARNING alerts you to the possibility of serious injury or death if you do not follow the instructions.



**CAUTION:** A CAUTION alerts you to the possibility of damage or destruction of equipment if you do not follow the corresponding instructions.



## IMPORTANT SAFETY INSTRUCTIONS



**WARNING:** Failure to read, thoroughly understand, and follow all instructions can result in serious personal injury, damage to equipment, or voiding of factory warranty! It is the installer's responsibility to make sure all accessories are properly assembled and installed using the instructions provided.



**WARNING:** Use this accessory only for its intended use as described in these instructions. Do not use attachments not recommended by the manufacturer.



**WARNING:** Never operate this accessory if it is damaged. Return the accessory to a service center for examination and repair.



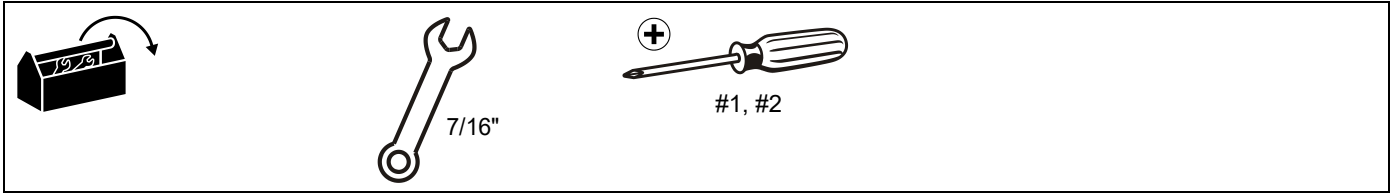
**WARNING:** Do not use this accessory outdoors.

**IMPORTANT ! :** The TILSC27U2 and TILSC27U3 accessories are designed to be mounted to most Chief LED Wall Mounts that are used with 27" panels.

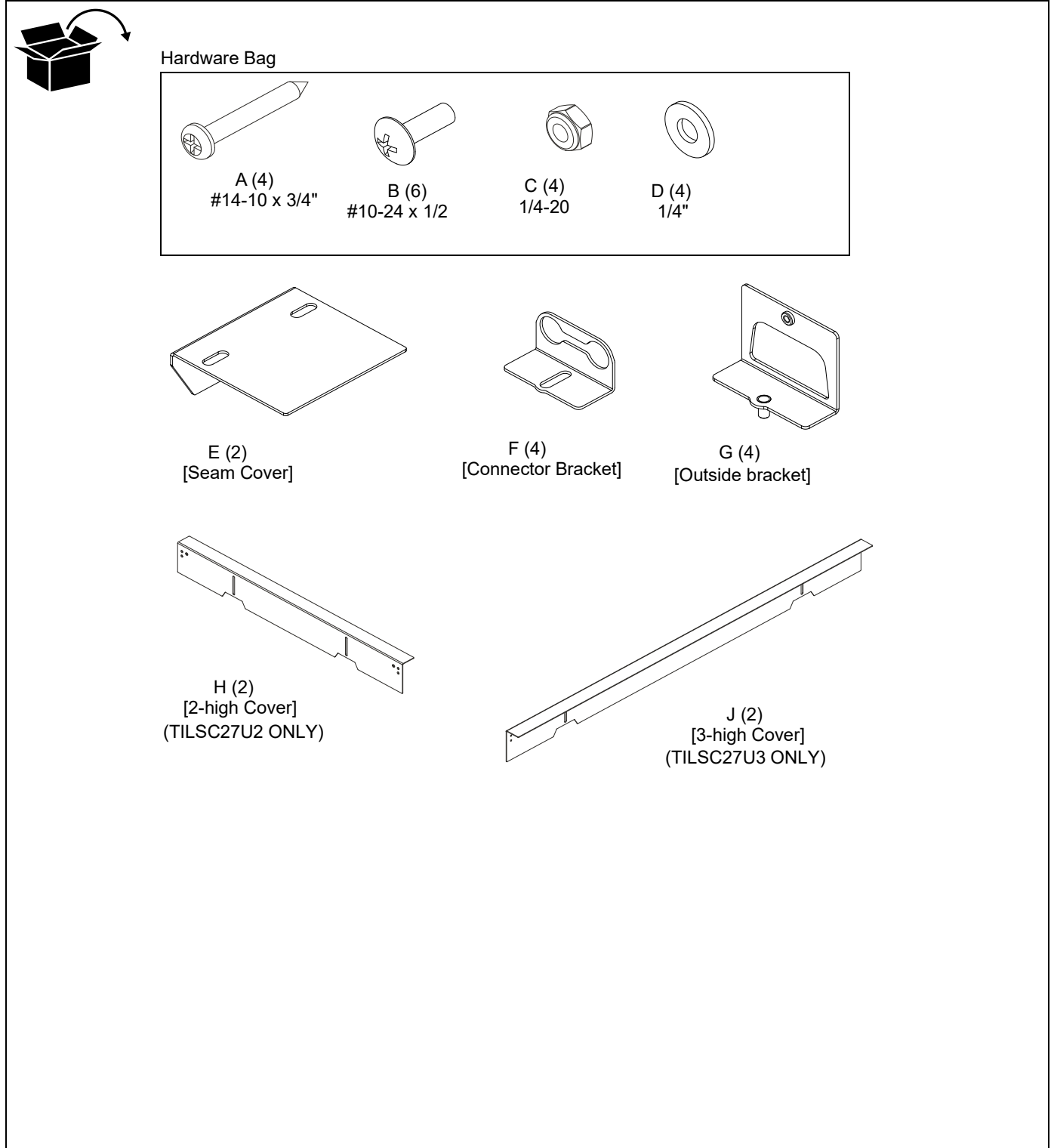
**--SAVE THESE INSTRUCTIONS--**

Installation Instruction

**TOOLS REQUIRED FOR INSTALLATION**



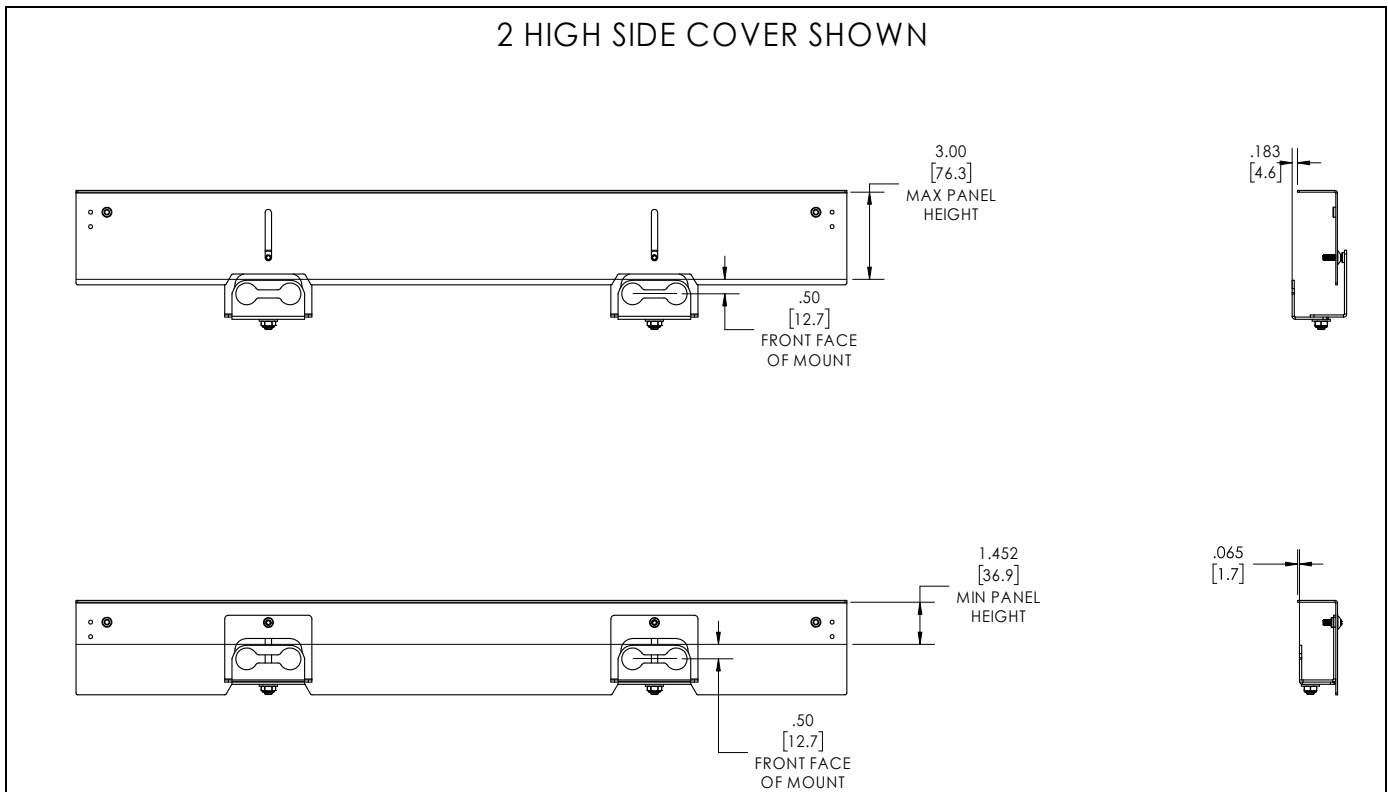
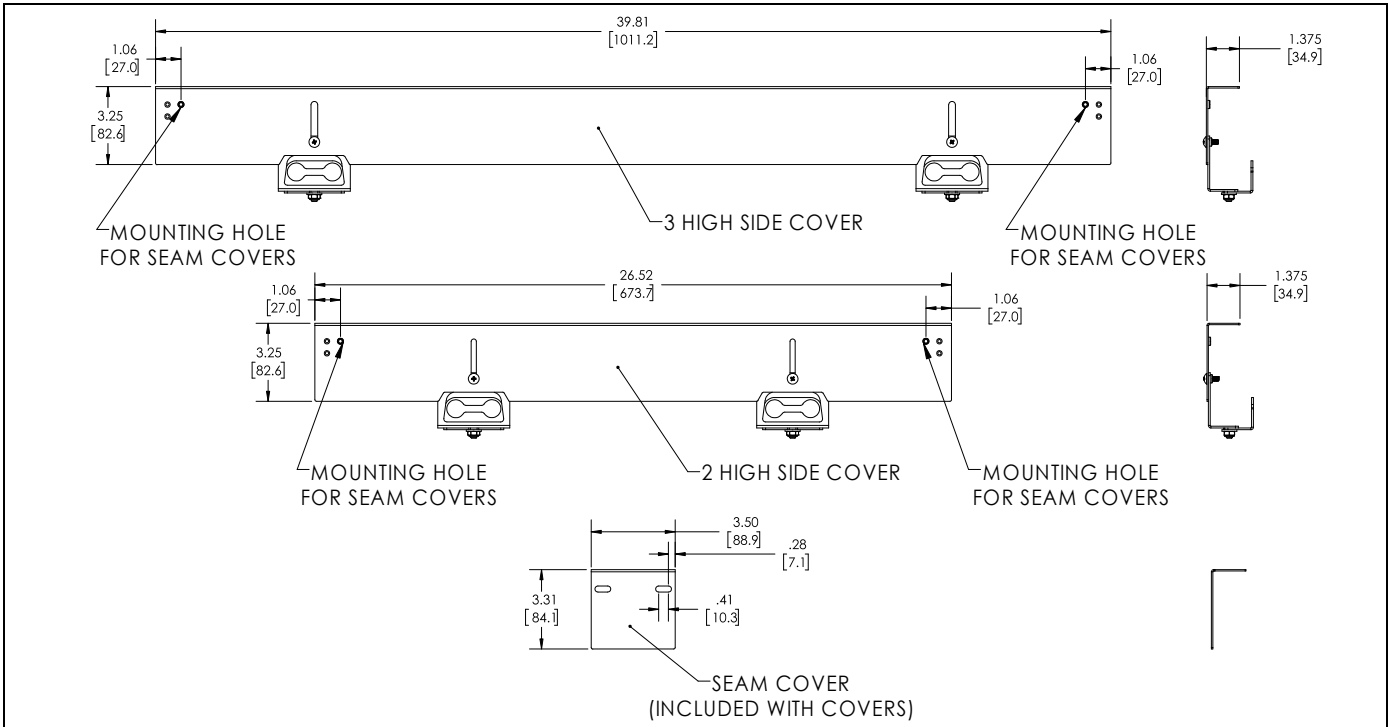
**PARTS**



## ASSEMBLY AND INSTALLATION

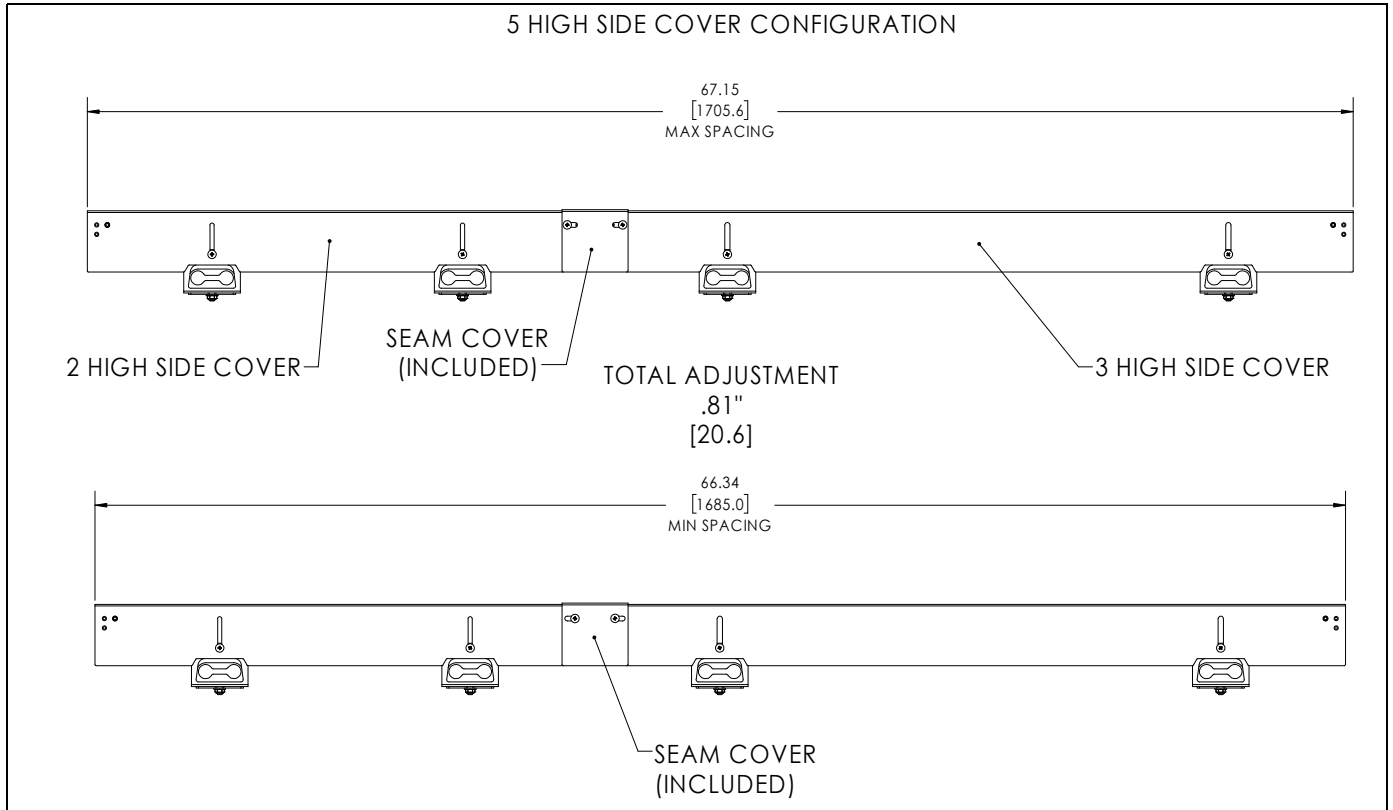
Proceed to the following pages containing installation instructions for the side covers.

### DIMENSIONS

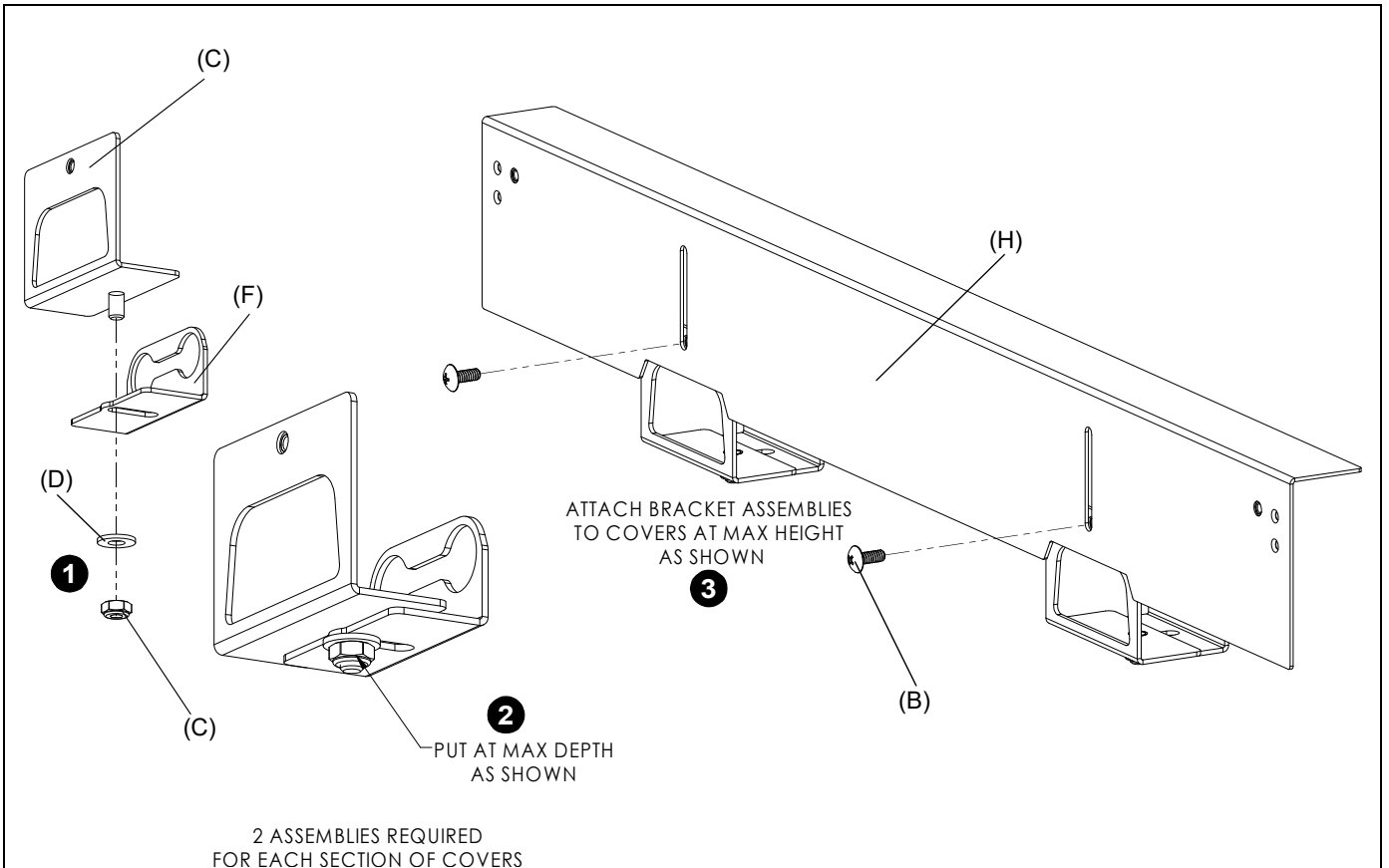


Installation Instruction

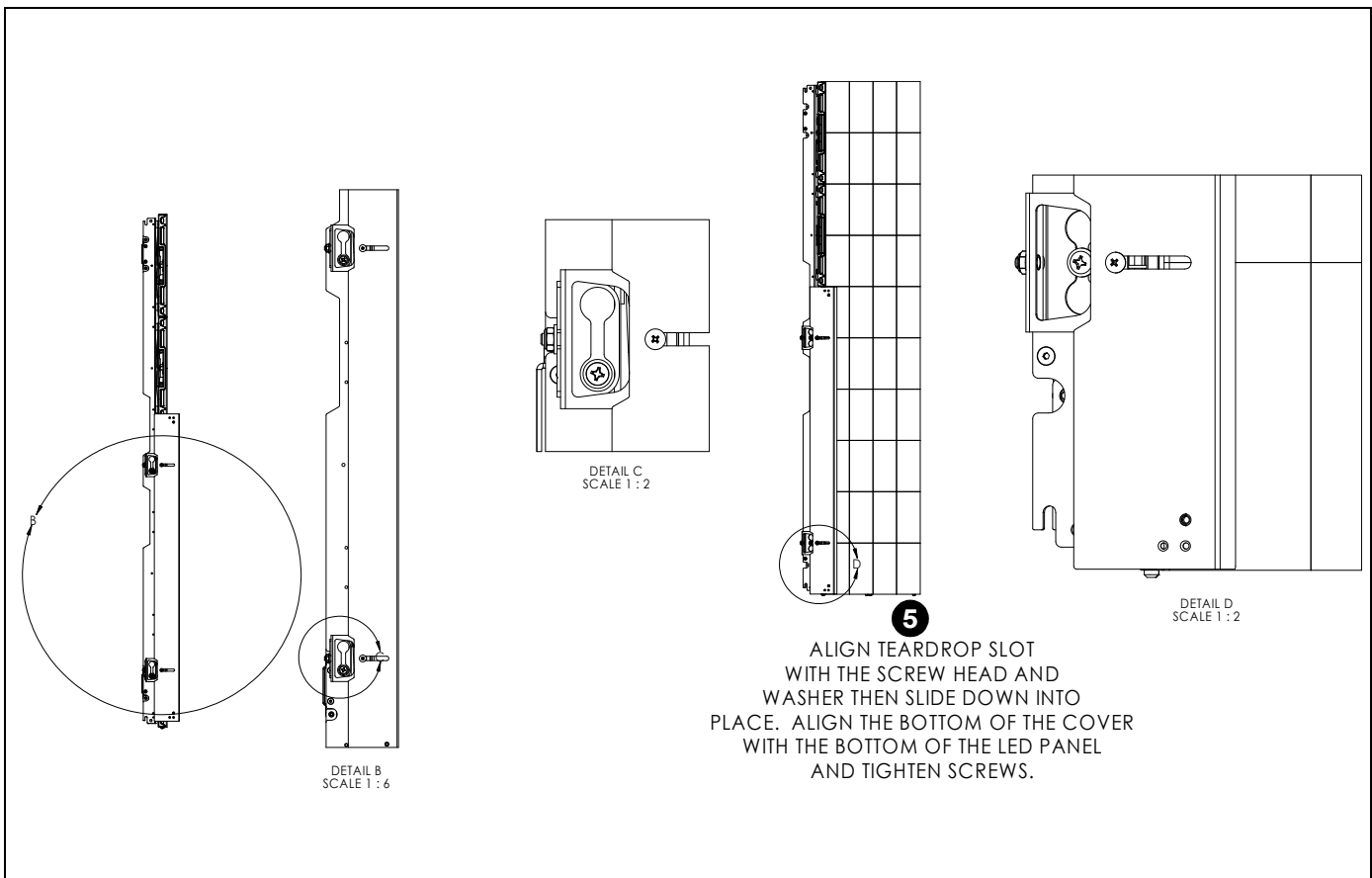
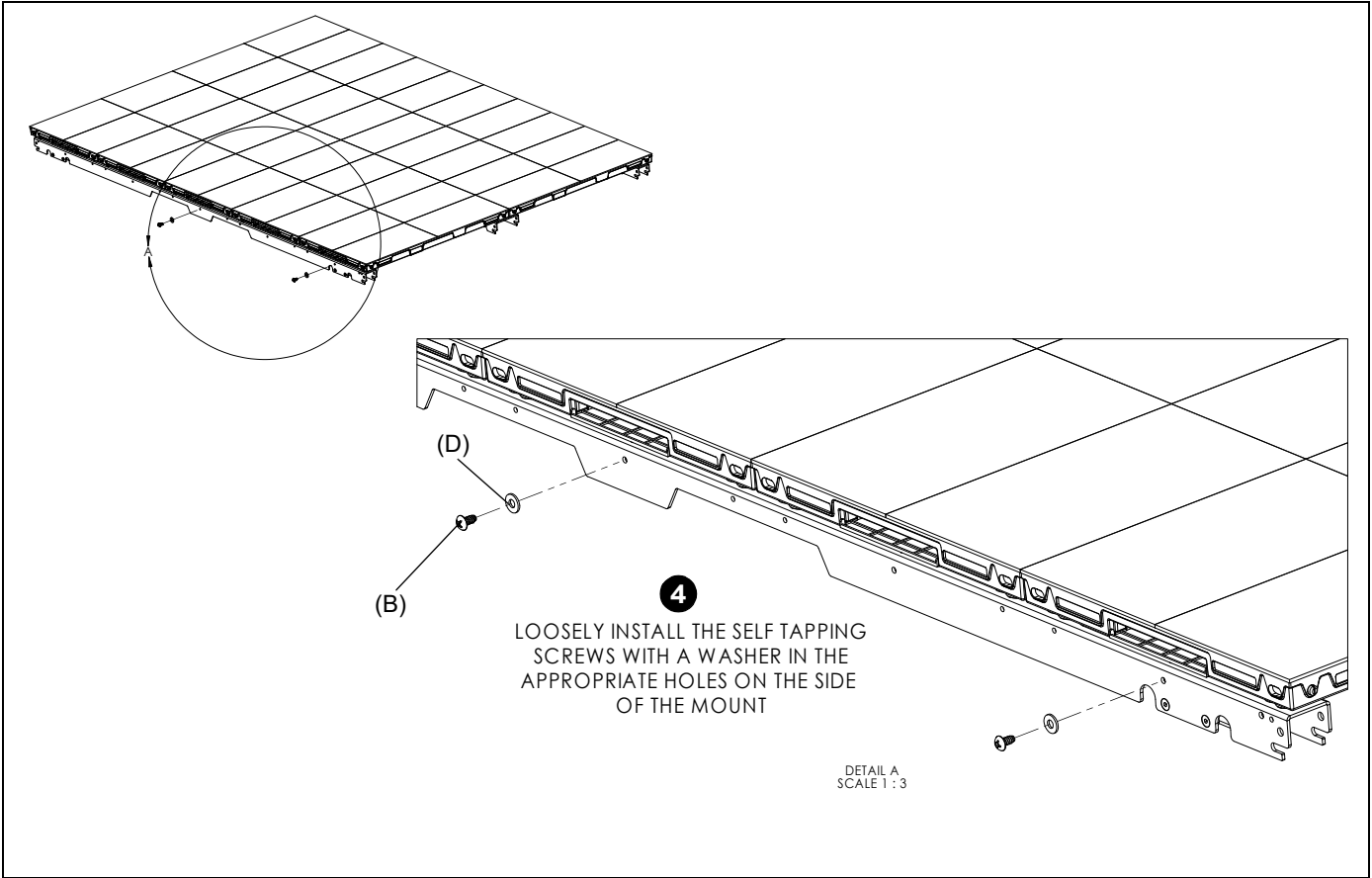
**DIMENSIONS-continued**



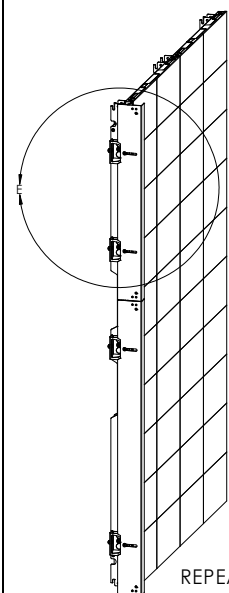
**INSTALLATION INSTRUCTIONS**



**INSTALLATION INSTRUCTIONS (continued)**

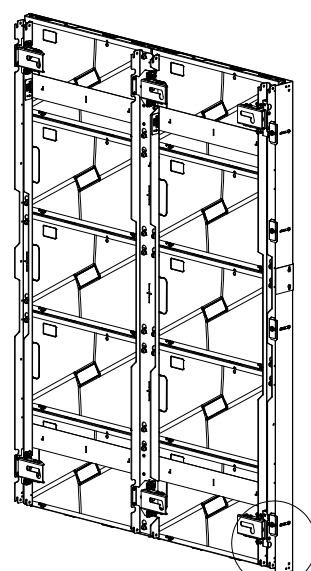


**INSTALLATION INSTRUCTIONS (continued)**



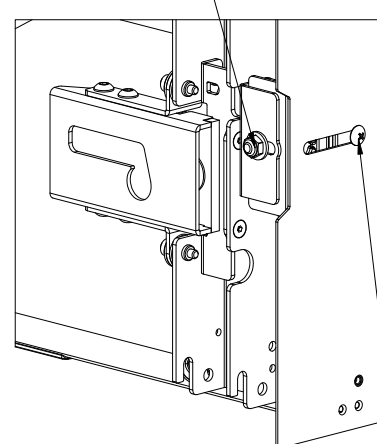
**6** REPEAT PROCES FOR THE UPPER COVER OR COVERS

DETAIL E  
SCALE 1 : 6

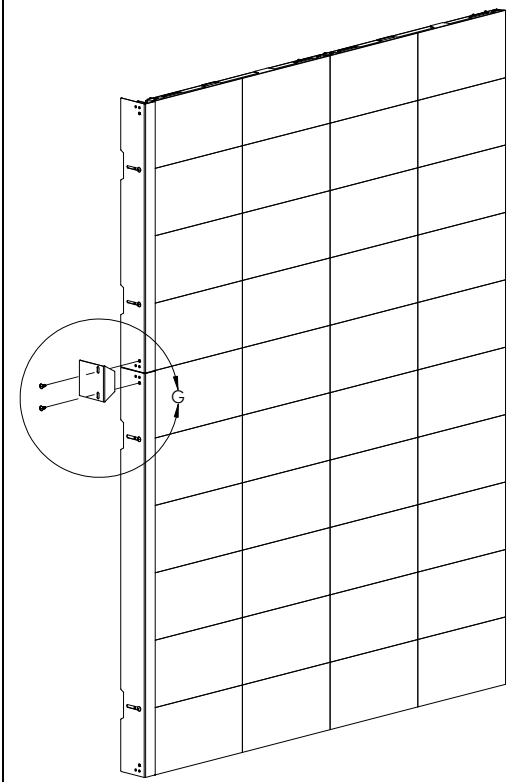


**7** LOOSEN NUT AND ADJUST COVER IN/OUT TO DESIRED DEPTH THEN RETIGHTEN NUT

DETAIL F  
SCALE 1 : 2



**8** LOOSEN SCREW AND ADJUST COVER TO DESIRED HEIGHT THEN RETIGHTEN SCREW



**9** INSTALL SEAM COVER AS SHOWN (IF NEEDED)

DETAIL G  
SCALE 1 : 3

# CHIEF®

A brand of  **legrand**®

8800-003394 Rev00  
©2023 Legrand | AV  
[www.legrandav.com](http://www.legrandav.com)  
08/2023

<b>USA/International</b>	<b>A</b> 6436 City West Parkway, Eden Prairie, MN 55344 <b>P</b> 800.582.6480 / 952.225.6000 <b>F</b> 877.894.6918 / 952.894.6918
<b>Europe</b>	<b>A</b> Franklinstraat 14, 6003 DK Weert, Netherlands <b>P</b> +31 (0) 495 580 852 <b>F</b> +31 (0) 495 580 845
<b>Asia Pacific</b>	<b>A</b> Office No. 918 on 9/F, Shatin Galleria 18-24 Shan Mei Street Fotan, Shatin, Hong Kong <b>P</b> 852 2145 4099 <b>F</b> 852 2145 4477

