

TILSC27U2
2 HIGH SIDE COVERS
SOLD IN SETS OF 2

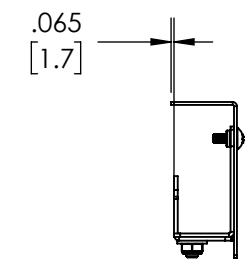
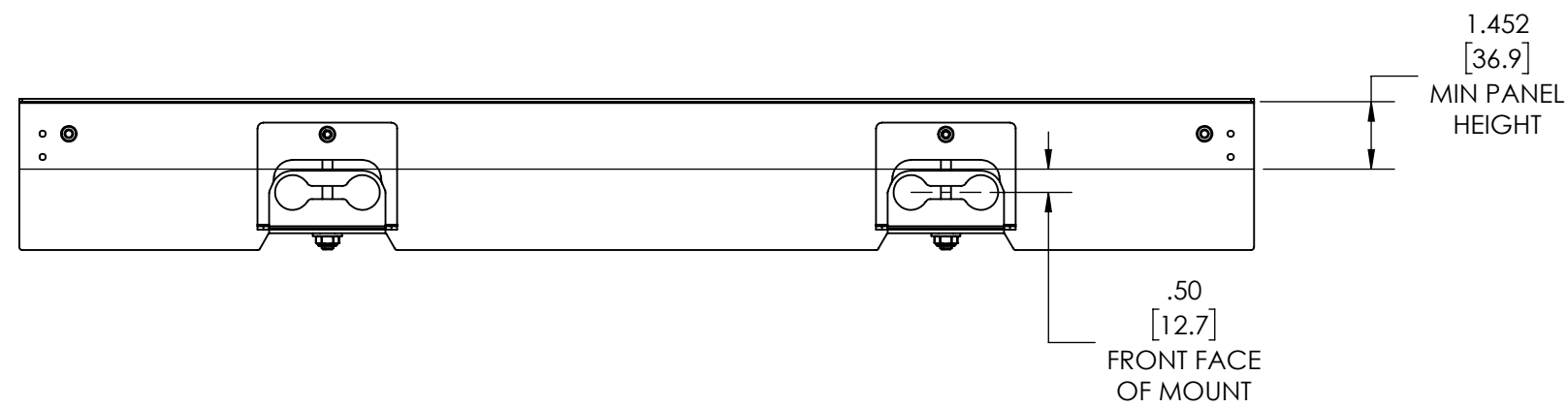
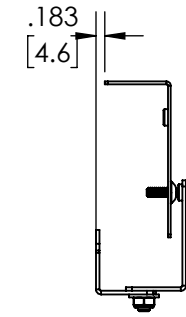
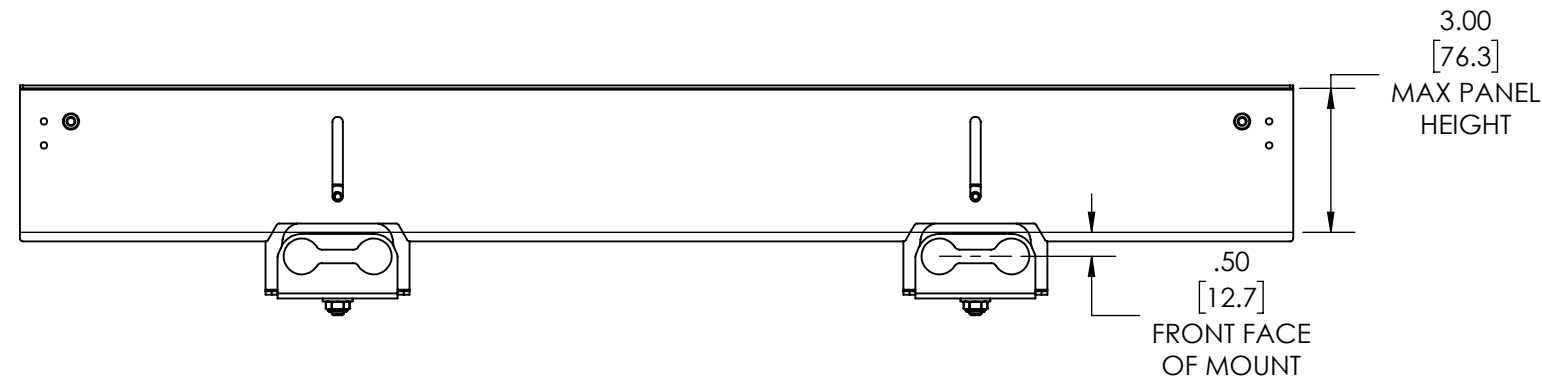
TILSC27U3
3 HIGH SIDE COVERS
SOLD IN SETS OF 2

SEAM COVER
(INCLUDED WITH COVERS)

THE INFORMATION AND DESIGNS CONTAINED IN THIS DRAWING ARE CONFIDENTIAL AND THE PROPRIETARY PROPERTY OF LEGRAND | AV. NEITHER THIS DESIGN NOR ANY INFORMATION CONTAINED IN THIS DRAWING MAY BE REPRODUCED OR DISCLOSED TO OTHERS WITHOUT THE EXPRESS WRITTEN CONSENT OF LEGRAND | AV.

CAD GENERATED DRAWING, DO NOT MANUALLY UPDATE.						6436 CITY WEST PKWY EDEN PRAIRIE MN, 55344 PHONE: 866-977-3901 FAX: 877-894-6918	
DRAWN BY	JAB	2/20/2023	DESCRIPTION				
ENG APPROVAL			DVLED, SIDE COVERS, 27" PANELS				
MFG APPROVAL			MODEL NO.				
QA APPROVAL			TILSC27U2 and TILSC27U3				
SHEET 1 OF 8		SCALE	1:4	SIZE	B	DWG. NO.	TECH-001272
							REV.
							00

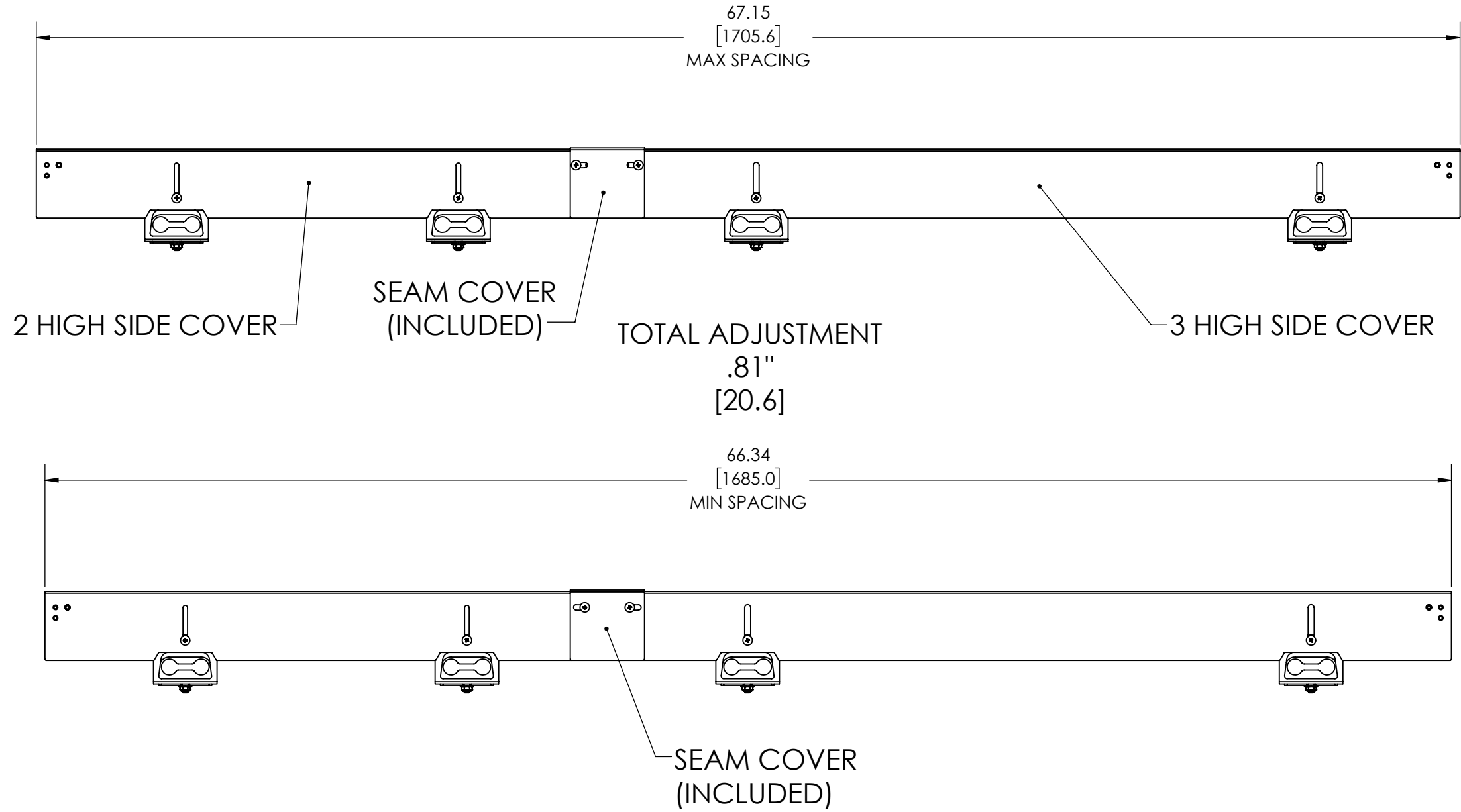
2 HIGH SIDE COVER SHOWN



THE INFORMATION AND DESIGNS CONTAINED IN THIS DRAWING ARE CONFIDENTIAL AND THE PROPRIETARY PROPERTY OF LEGRAND | AV. NEITHER THIS DESIGN NOR ANY INFORMATION CONTAINED IN THIS DRAWING MAY BE REPRODUCED OR DISCLOSED TO OTHERS WITHOUT THE EXPRESS WRITTEN CONSENT OF LEGRAND | AV.

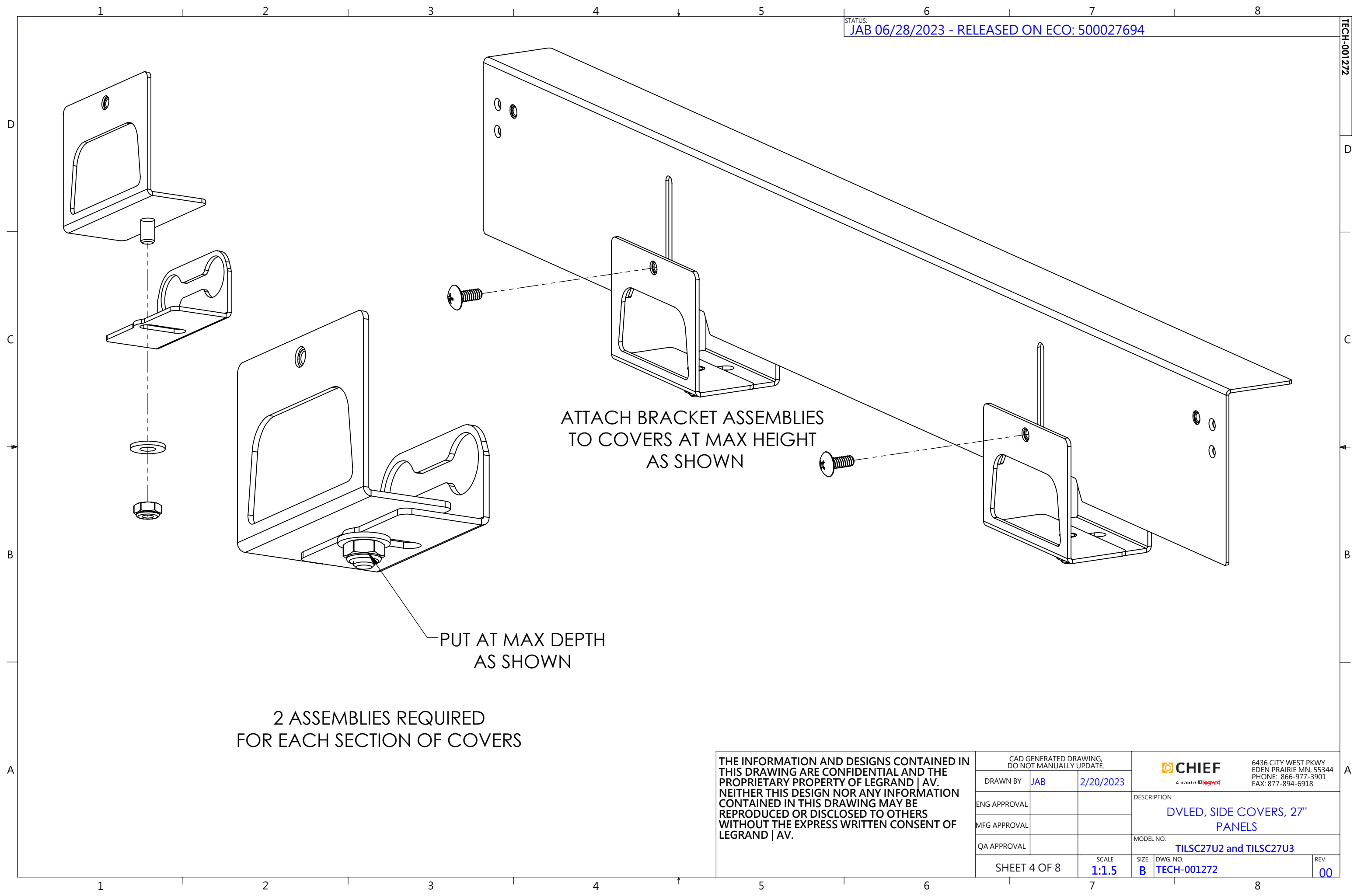
CAD GENERATED DRAWING, DO NOT MANUALLY UPDATE.					6436 CITY WEST PKWY EDEN PRAIRIE MN, 55344 PHONE: 866-977-3901 FAX: 877-894-6918	
DRAWN BY	JAB	2/20/2023	DESCRIPTION			
ENG APPROVAL			DVLED, SIDE COVERS, 27" PANELS			
MFG APPROVAL			MODEL NO.			
QA APPROVAL			TILSC27U2 and TILSC27U3			
SHEET 2 OF 8		SCALE	SIZE	DWG. NO.	REV.	
		1:4	B	TECH-001272	00	

5 HIGH SIDE COVER CONFIGURATION



THE INFORMATION AND DESIGNS CONTAINED IN THIS DRAWING ARE CONFIDENTIAL AND THE PROPRIETARY PROPERTY OF LEGRAND | AV. NEITHER THIS DESIGN NOR ANY INFORMATION CONTAINED IN THIS DRAWING MAY BE REPRODUCED OR DISCLOSED TO OTHERS WITHOUT THE EXPRESS WRITTEN CONSENT OF LEGRAND | AV.

CAD GENERATED DRAWING, DO NOT MANUALLY UPDATE.					6436 CITY WEST PKWY EDEN PRAIRIE MN, 55344 PHONE: 866-977-3901 FAX: 877-894-6918	
DRAWN BY	JAB	2/20/2023	DESCRIPTION			
ENG APPROVAL			DVLED, SIDE COVERS, 27" PANELS			
MFG APPROVAL			MODEL NO.			
QA APPROVAL			TILSC27U2 and TILSC27U3			
SHEET 3 OF 8		SCALE	SIZE	DWG. NO.	REV.	
		1:6	B	TECH-001272	00	




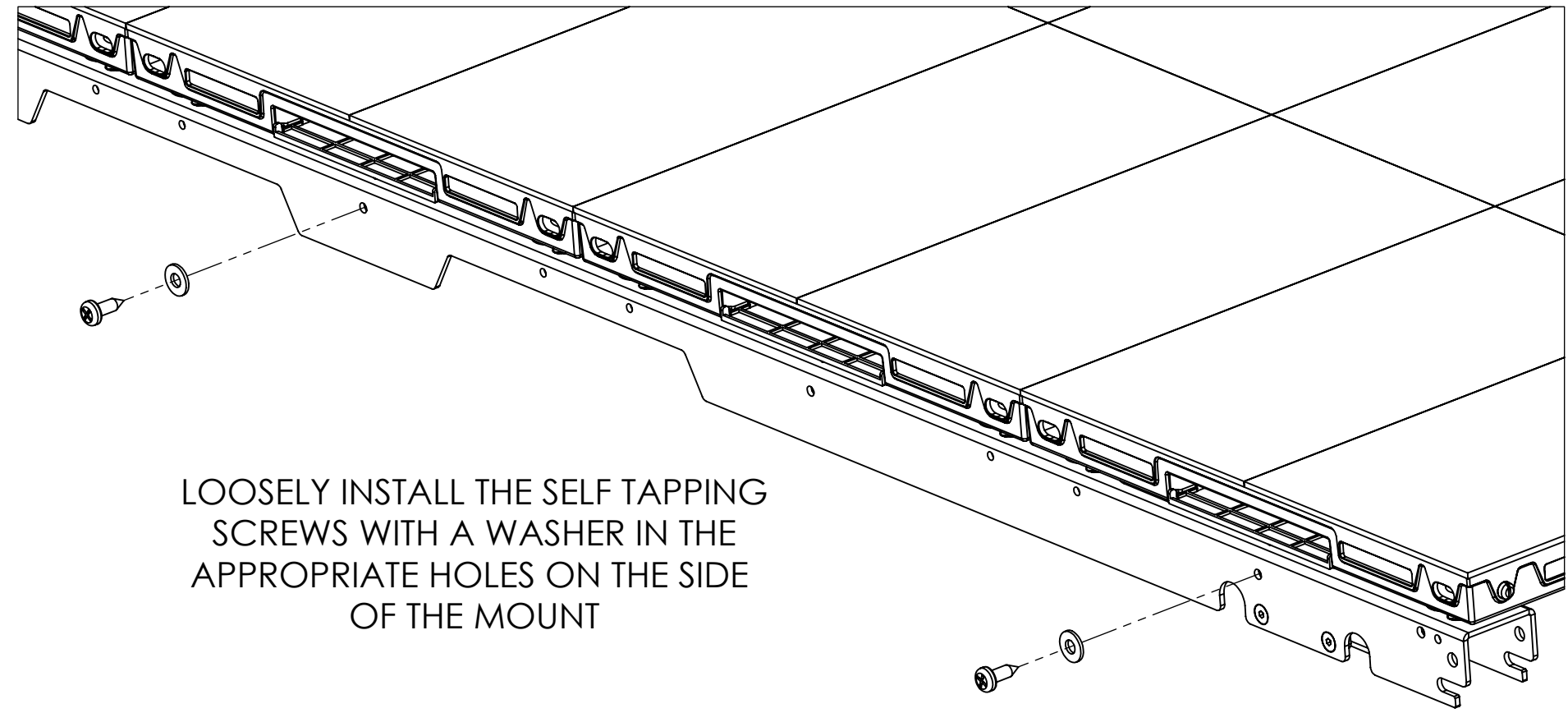
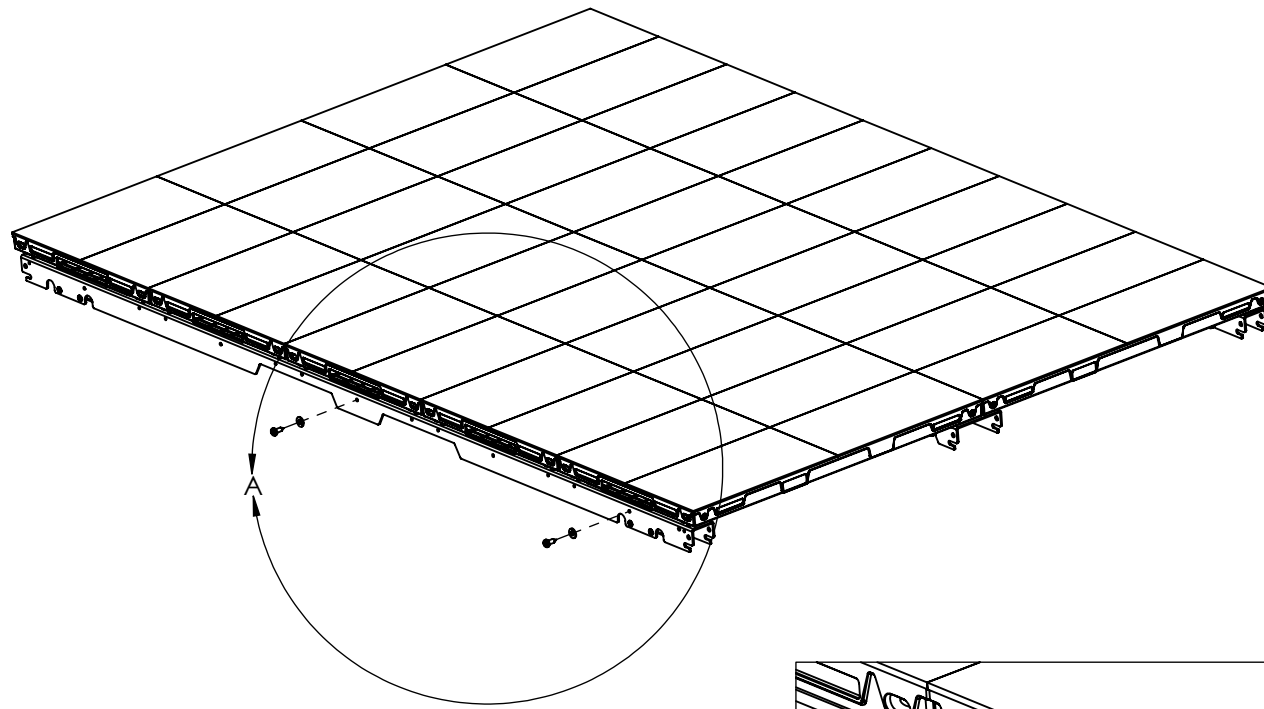
ATTACH BRACKET ASSEMBLIES TO COVERS AT MAX HEIGHT AS SHOWN

PUT AT MAX DEPTH AS SHOWN

2 ASSEMBLIES REQUIRED FOR EACH SECTION OF COVERS


THE INFORMATION AND DESIGNS CONTAINED IN THIS DRAWING ARE CONFIDENTIAL AND THE PROPRIETARY PROPERTY OF LEGRAND | AV. NEITHER THIS DESIGN NOR ANY INFORMATION CONTAINED IN THIS DRAWING MAY BE REPRODUCED OR DISCLOSED TO OTHERS WITHOUT THE EXPRESS WRITTEN CONSENT OF LEGRAND | AV.

CAD GENERATED DRAWING, DO NOT MANUALLY UPDATE.			 6436 CITY WEST PKWY EDEN PRAIRIE MN, 55344 PHONE: 866-977-3901 FAX: 877-894-6918		
DRAWN BY	JAB	2/20/2023	DESCRIPTION		
ENG APPROVAL			DVLED, SIDE COVERS, 27" PANELS		
MFG APPROVAL			MODEL NO.		
QA APPROVAL			TILSC27U2 and TILSC27U3		
SHEET 4 OF 8		SCALE	SIZE	DWG. NO.	REV.
		1:1.5	B	TECH-001272	00



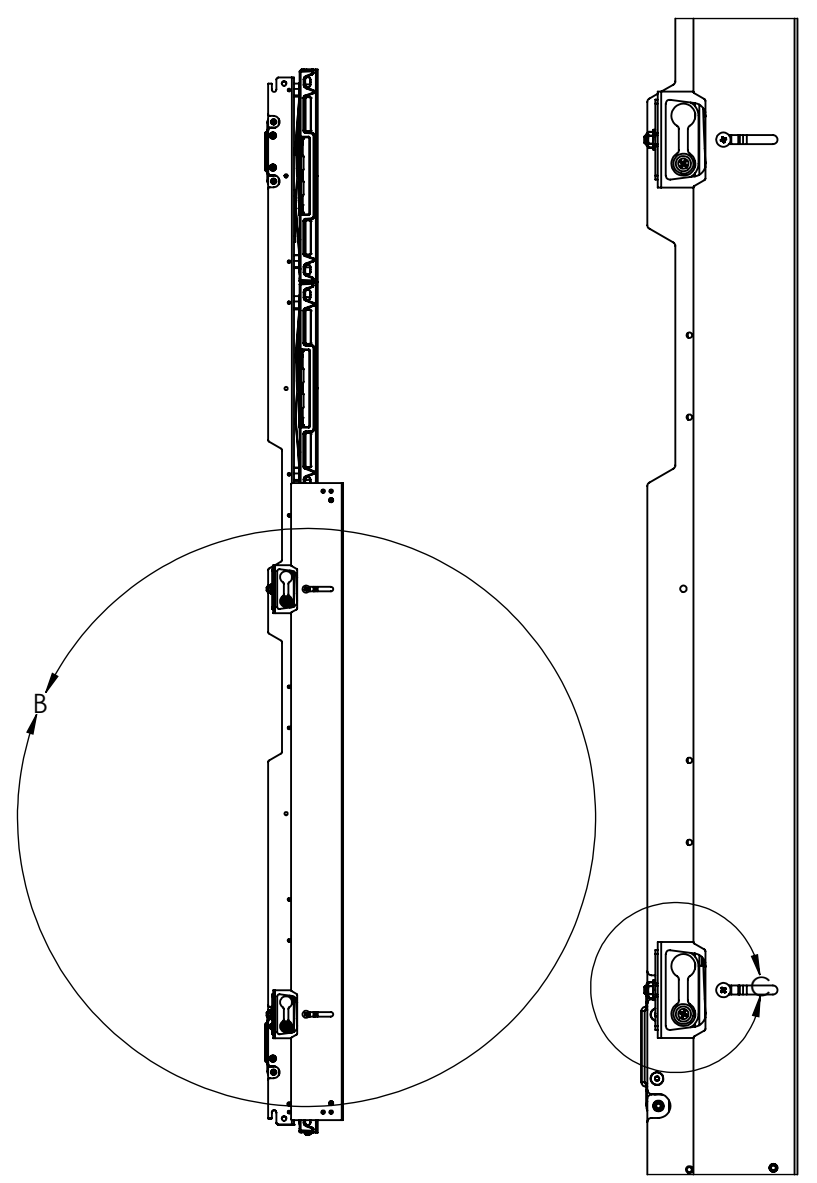
LOOSELY INSTALL THE SELF TAPPING
SCREWS WITH A WASHER IN THE
APPROPRIATE HOLES ON THE SIDE
OF THE MOUNT

THE INFORMATION AND DESIGNS CONTAINED IN THIS DRAWING ARE CONFIDENTIAL AND THE PROPRIETARY PROPERTY OF LEGRAND | AV. NEITHER THIS DESIGN NOR ANY INFORMATION CONTAINED IN THIS DRAWING MAY BE REPRODUCED OR DISCLOSED TO OTHERS WITHOUT THE EXPRESS WRITTEN CONSENT OF LEGRAND | AV.

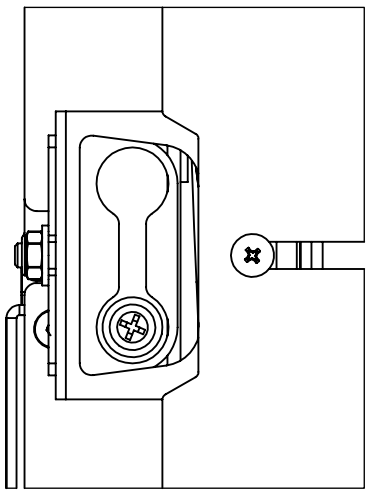
CAD GENERATED DRAWING, DO NOT MANUALLY UPDATE.			 6436 CITY WEST PKWY EDEN PRAIRIE MN, 55344 PHONE: 866-977-3901 FAX: 877-894-6918		
DRAWN BY	JAB	2/20/2023	DESCRIPTION		
ENG APPROVAL			DVLED, SIDE COVERS, 27" PANELS		
MFG APPROVAL			MODEL NO.		
QA APPROVAL			TILSC27U2 and TILSC27U3		
SHEET 5 OF 8		SCALE	SIZE	DWG. NO.	REV.
		1:12	B	TECH-001272	00

D
C
B
A

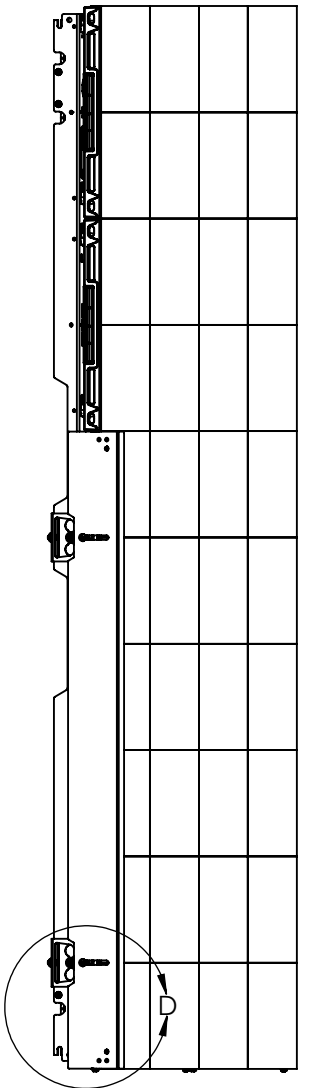
D
C
B



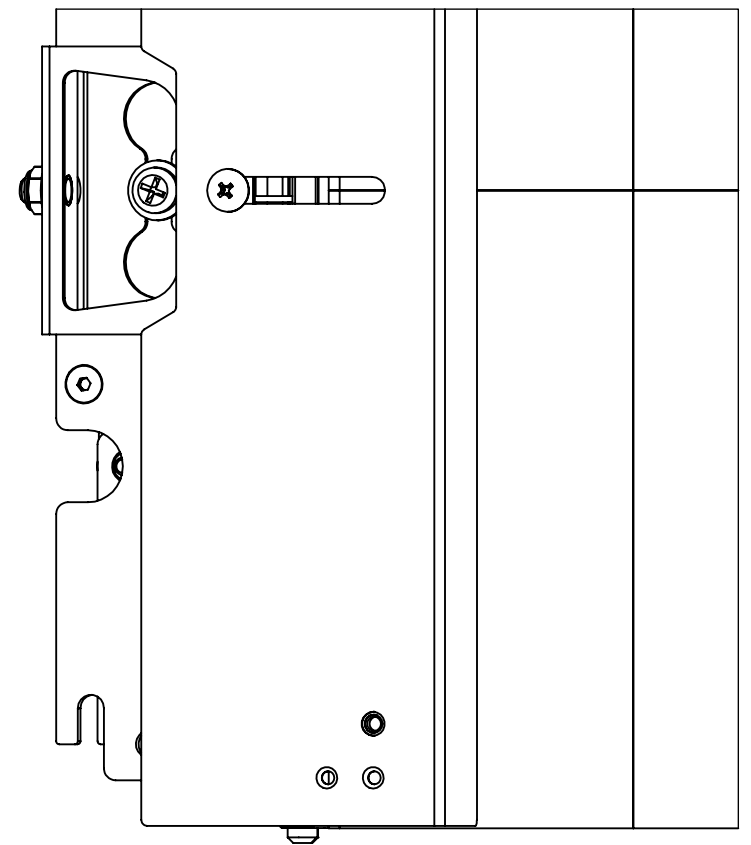
DETAIL B
SCALE 1 : 6



DETAIL C
SCALE 1 : 2



DETAIL D
SCALE 1 : 2



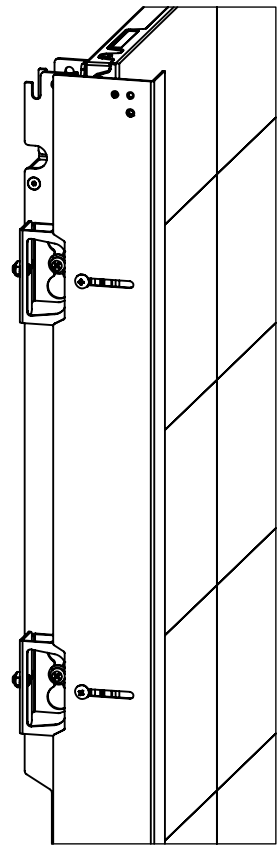
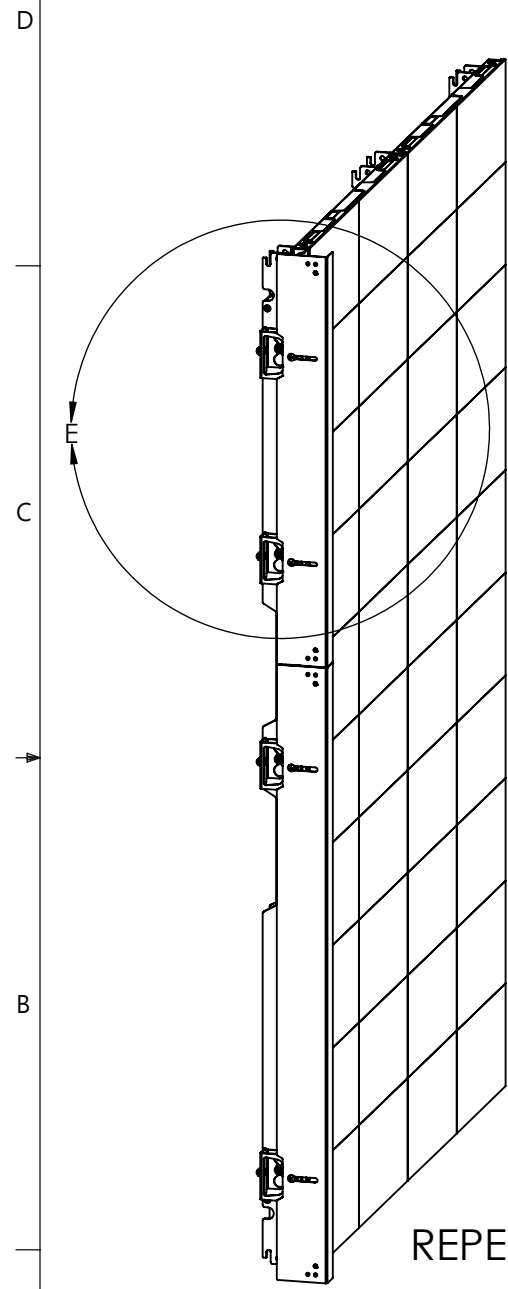
ALIGN TEARDROP SLOT WITH THE SCREW HEAD AND WASHER THEN SLIDE DOWN INTO PLACE. ALIGN THE BOTTOM OF THE COVER WITH THE BOTTOM OF THE LED PANEL AND TIGHTEN SCREWS.

THE INFORMATION AND DESIGNS CONTAINED IN THIS DRAWING ARE CONFIDENTIAL AND THE PROPRIETARY PROPERTY OF LEGRAND | AV. NEITHER THIS DESIGN NOR ANY INFORMATION CONTAINED IN THIS DRAWING MAY BE REPRODUCED OR DISCLOSED TO OTHERS WITHOUT THE EXPRESS WRITTEN CONSENT OF LEGRAND | AV.

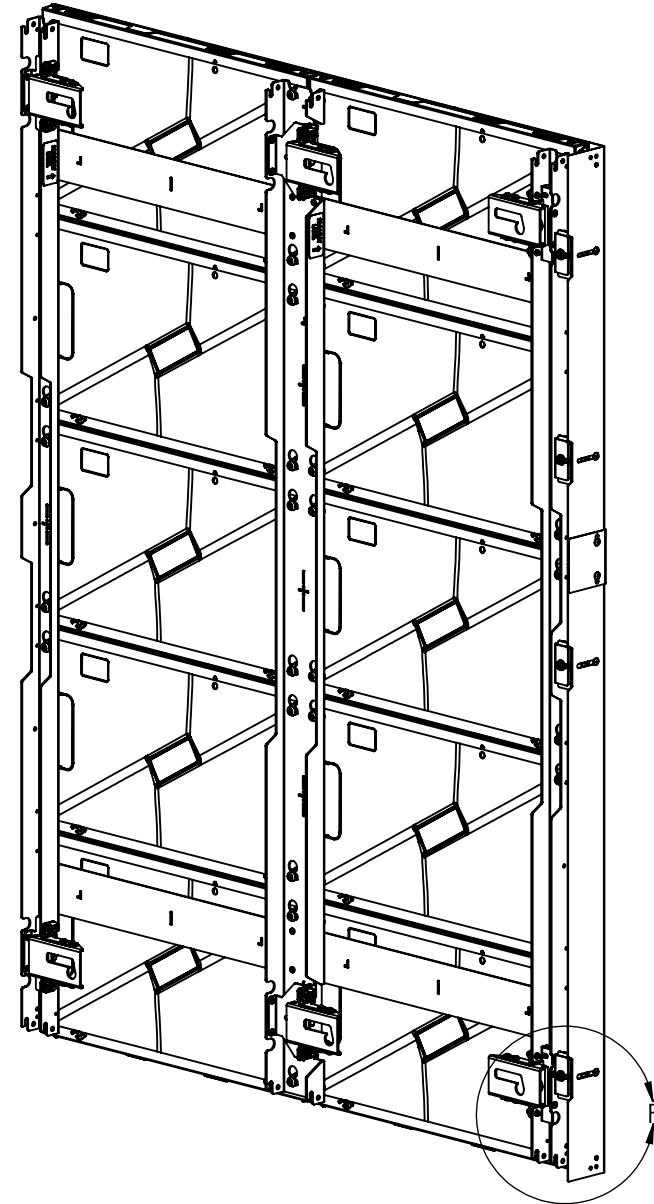
CAD GENERATED DRAWING, DO NOT MANUALLY UPDATE.		CHIEF		6436 CITY WEST PKWY EDEN PRAIRIE MN, 55344 PHONE: 866-977-3901 FAX: 877-894-6918	
DRAWN BY	JAB	2/20/2023	DESCRIPTION		
ENG APPROVAL			DVLED, SIDE COVERS, 27" PANELS		
MFG APPROVAL			MODEL NO.		
QA APPROVAL			TILSC27U2 and TILSC27U3		
SHEET 6 OF 8		SCALE	SIZE	DWG. NO.	REV.
		1:12	B	TECH-001272	00

1 2 3 4 5 6 7 8

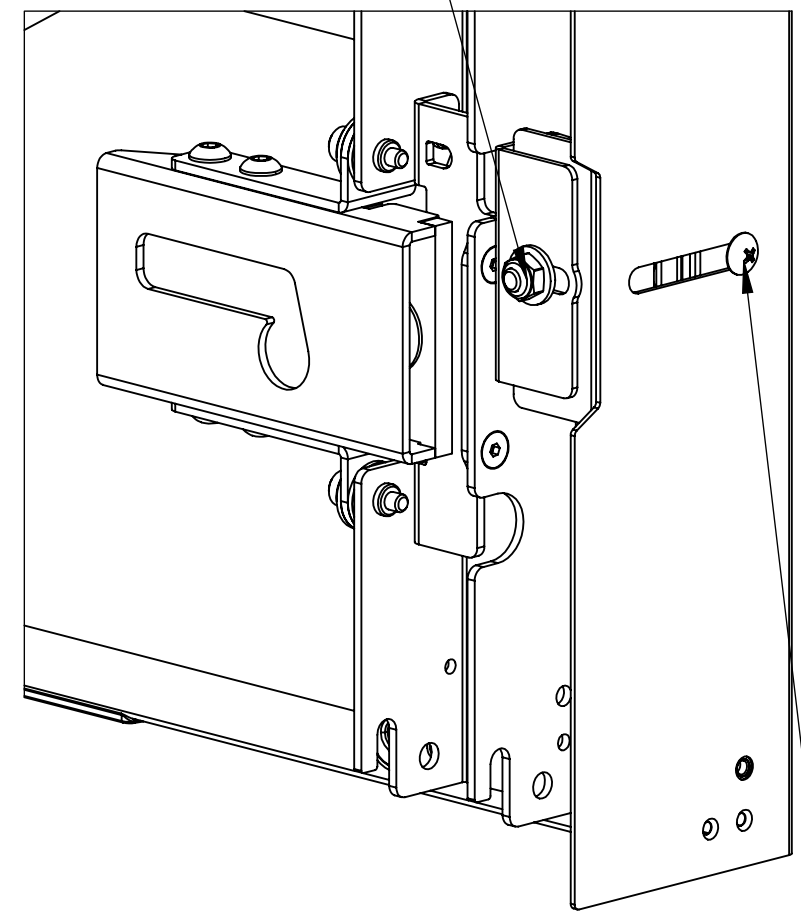
1 2 3 4 5 6 7 8



DETAIL E
SCALE 1 : 6



LOOSEN NUT AND ADJUST
COVER IN/OUT TO DESIRED DEPTH
THEN RETIGHTEN NUT



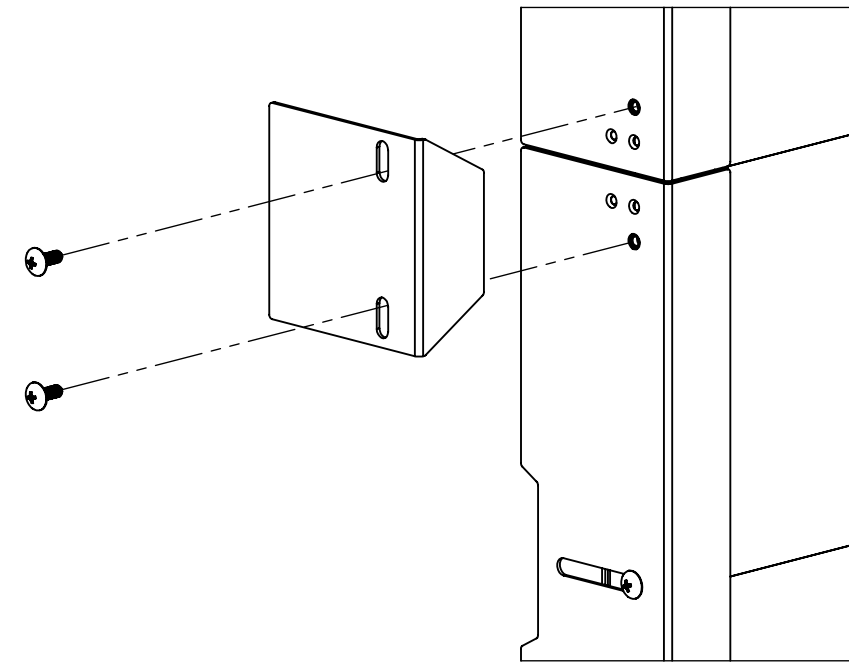
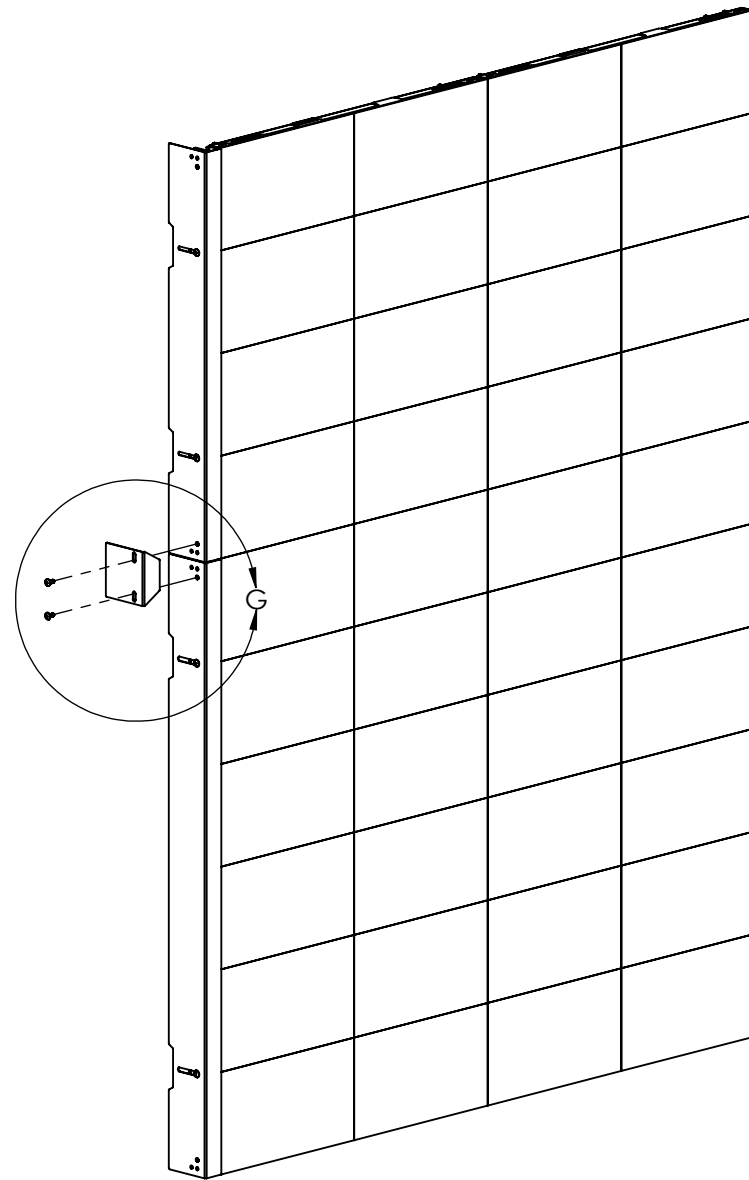
DETAIL F
SCALE 1 : 2

LOOSEN SCREW AND ADJUST
COVER TO DESIRED HEIGHT
THEN RETIGHTEN SCREW

REPEAT PROCES FOR THE UPPER
COVER OR COVERS


THE INFORMATION AND DESIGNS CONTAINED IN THIS DRAWING ARE CONFIDENTIAL AND THE PROPRIETARY PROPERTY OF LEGRAND | AV. NEITHER THIS DESIGN NOR ANY INFORMATION CONTAINED IN THIS DRAWING MAY BE REPRODUCED OR DISCLOSED TO OTHERS WITHOUT THE EXPRESS WRITTEN CONSENT OF LEGRAND | AV.

CAD GENERATED DRAWING, DO NOT MANUALLY UPDATE.			6436 CITY WEST PKWY EDEN PRAIRIE, MN, 55344 PHONE: 866-977-3901 FAX: 877-894-6918	
DRAWN BY	JAB 2/20/2023		DESCRIPTION	
ENG APPROVAL		DVLED, SIDE COVERS, 27" PANELS		
MFG APPROVAL		MODEL NO.		
QA APPROVAL		TILSC27U2 and TILSC27U3		
SHEET 7 OF 8		SCALE	SIZE	DWG. NO.
		1:12	B	TECH-001272
				REV.
				00



DETAIL G
SCALE 1 : 3
INSTALL SEAM COVER
AS SHOWN
(IF NEEDED)

THE INFORMATION AND DESIGNS CONTAINED IN THIS DRAWING ARE CONFIDENTIAL AND THE PROPRIETARY PROPERTY OF LEGRAND | AV. NEITHER THIS DESIGN NOR ANY INFORMATION CONTAINED IN THIS DRAWING MAY BE REPRODUCED OR DISCLOSED TO OTHERS WITHOUT THE EXPRESS WRITTEN CONSENT OF LEGRAND | AV.

CAD GENERATED DRAWING, DO NOT MANUALLY UPDATE.			 6436 CITY WEST PKWY EDEN PRAIRIE MN, 55344 PHONE: 866-977-3901 FAX: 877-894-6918	
DRAWN BY	JAB	2/20/2023	DESCRIPTION	
ENG APPROVAL			DVLED, SIDE COVERS, 27" PANELS	
MFG APPROVAL			MODEL NO.	
QA APPROVAL			TILSC27U2 and TILSC27U3	
SHEET 8 OF 8		SCALE 1:12	SIZE B	DWG. NO. TECH-001272
			REV.	00