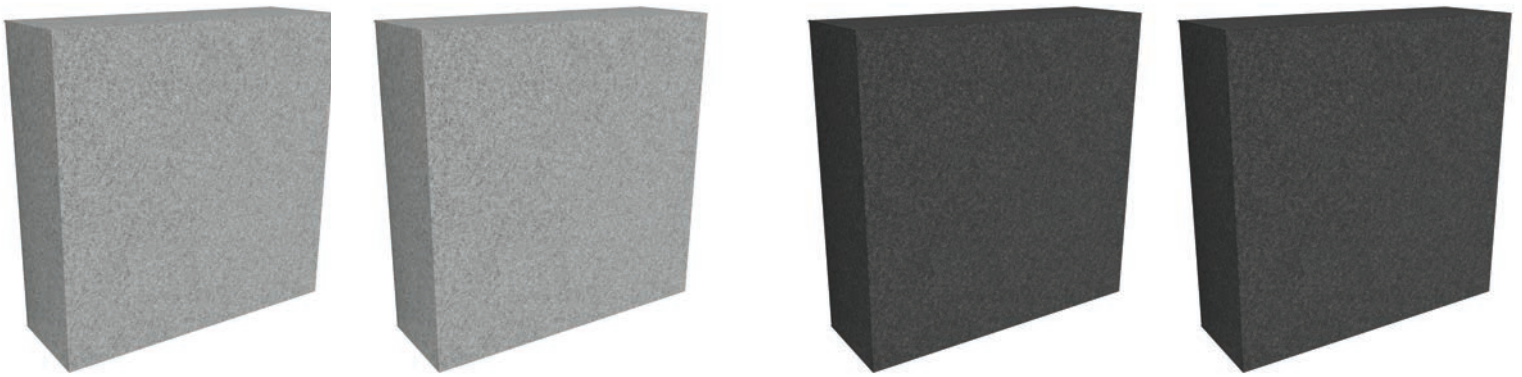


MIDDLE ATLANTIC

A brand of  legrand



NOTE: The 8" deep tiles pictured in both gray and charcoal, respectively. Tiles available in 8" and 4" depths and each size is sold in identical pairs.

ADA-Compliant Wall Tiles

Instruction Sheet

100-00125 Rev A





©2024 | Legrand AV, Inc. All rights reserved.

Information in this document is subject to change without notice. The AV equipment described in this document is furnished under a license agreement or nondisclosure agreement. The equipment may be used or copied only in accordance with the terms of those agreements. No part of this publication may be reproduced, stored in a retrieval system, or transmitted in any form or any means electronic or mechanical, including photocopying and recording for any purpose other than the purchaser's personal use without the written permission of Legrand AV.

Middle Atlantic is a brand of Legrand AV.

www.legrand.com | Phone: (866) 977-3901 | Fax: (877) 894-6918 | Email: av.middleatlantic.techsupport@legrand.com

Visit us at www.legrandav.com for firmware updates, specifications, drawings, manuals, technical support information, and more.

Middle Atlantic is a registered trademark of Legrand AV, Inc.

Legrand AV is an ISO 9001 and ISO 14001 Registered Company.

All patents are protected under existing designations. Other patents pending. For more information, refer to the Patents page on the website at www.legrandav.com/resources/patents.

All other brand names or marks are used for identification purposes and are trademarks of their respective owners.

Legrand AV Inc. Brands: Chief | Connectrac | C2G | Da-Lite | Luxul | Middle Atlantic | On-Q | Sanus | Vaddio | Wiremold

SUPPLIED COMPONENTS AND HARDWARE

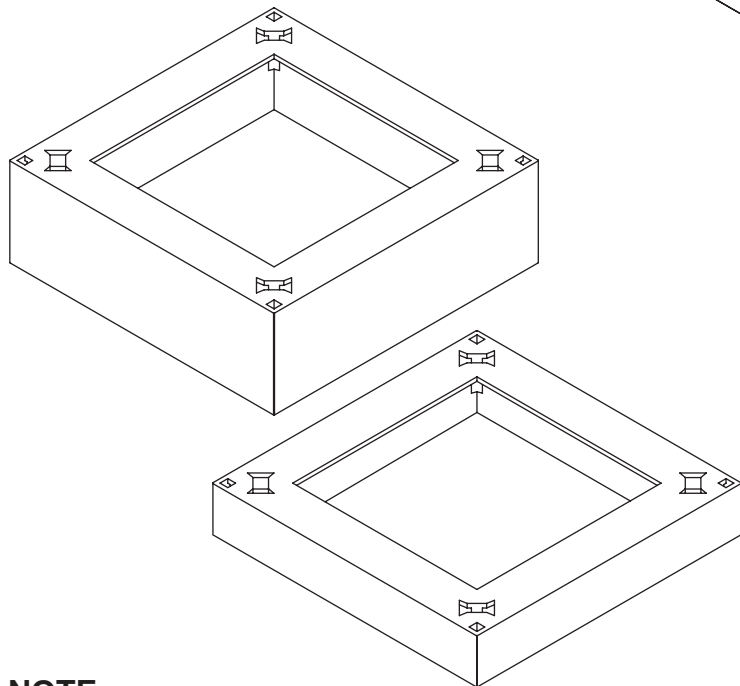
If any pieces are missing or damaged, please report it immediately to Technical Support at av.support@legrand.com or (866) 977-3901.

(2x)

ADA-Compliant Wall Tiles

NOTE: The 8" and 4" depth wall tiles shown.
Each size is sold in identical pairs.

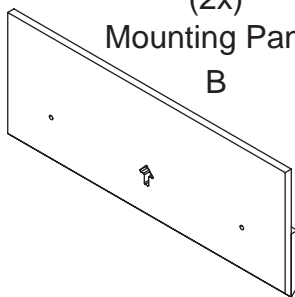
A



(2x)

Mounting Panel

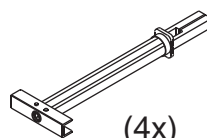
B



(8x)
Joiner
C

CHIEF GRADE 5 TOGGLER KIT

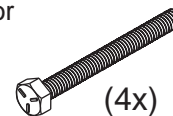
(Model Number: FCAT1)



(4x)
SNAPTOGGLE®
Anchor
D



(4x)
1/4\"-20 Washer
E



(4x)
1/4\"-20 x 2 1/2\"
Hex Head Bolt
F

NOTE:

- To order more hardware, contact support at av.support@legrand.com or (866) 977-3901.
- Additional hardware is included that may not be required for your installation.

REQUIRED TOOLS

- Electric Drill
- #2 Phillips Bit
- Pencil
- Level



WARNING: Use tools with caution and follow all necessary safety protocols.

ADVERTENCIA: Utilice las herramientas con precaución y siga todos los protocolos de seguridad necesarios.

AVERTISSEMENT: Utiliser des outils avec prudence et suivre tous les protocoles de sécurité nécessaires.

INTRODUCTION

Thank you for purchasing an ADA-Compliant Wall Tile - subsequent references as ADA Wall Tile, Wall Tile, or Tile.

This instruction sheet shows you how to fold and mount the Wall Tile properly. It also provides considerations and references in place to help you meet standards set by the Americans with Disabilities Act (ADA) during the process.

For more information, see “Determining Mounting Location for ADA Wall Tiles” on page 5 and visit: <https://www.ada.gov/>.

Use the following QR code or link to view an animation of the assembly:

Middle Atlantic ADA-Compliant Wall Tile Installation

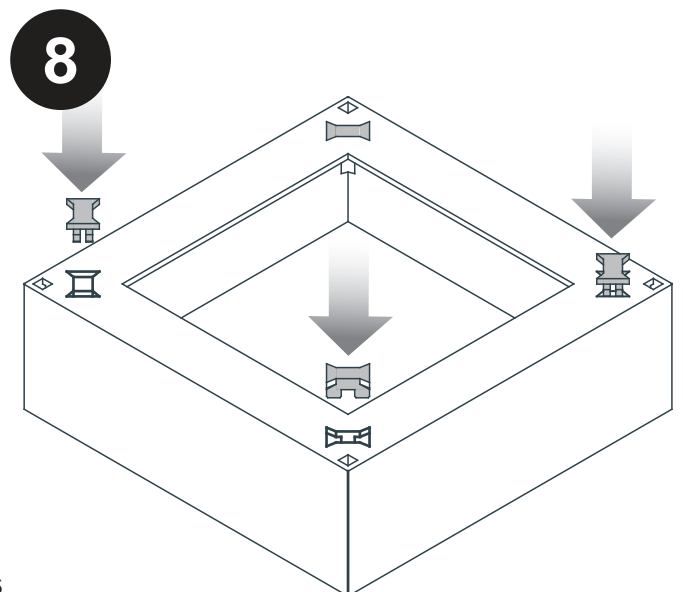
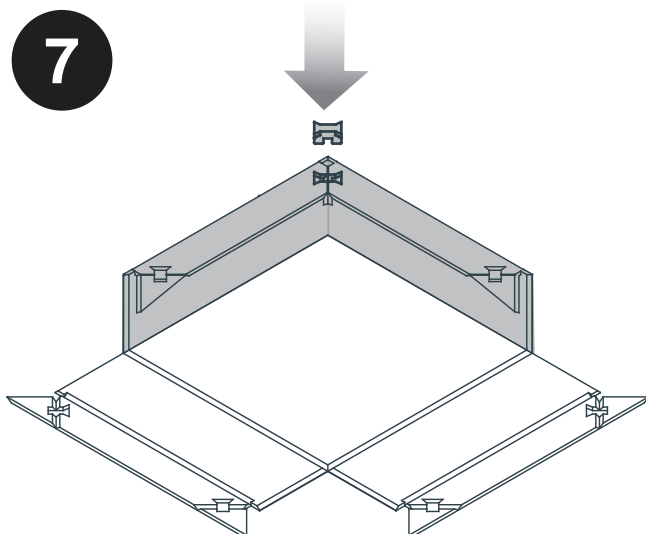
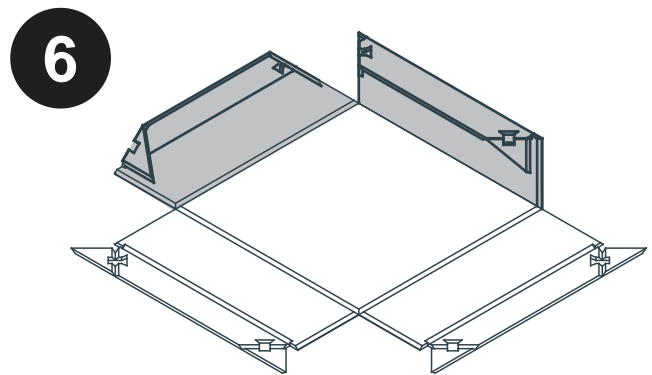
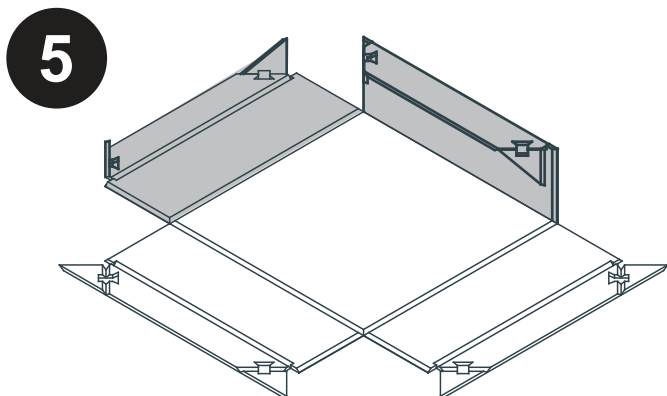
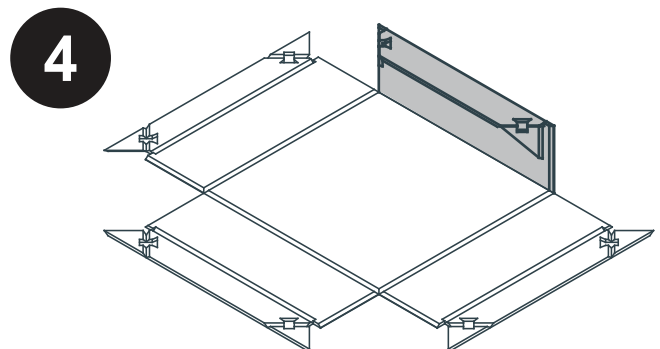
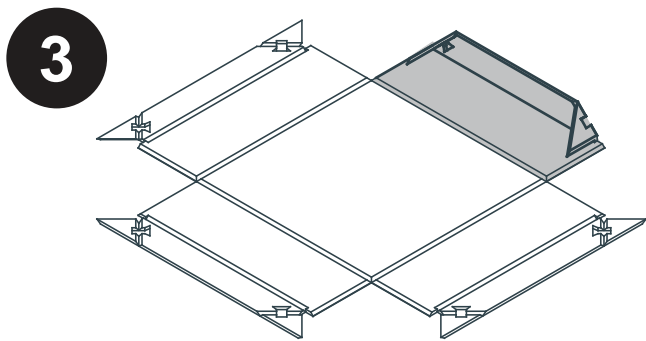
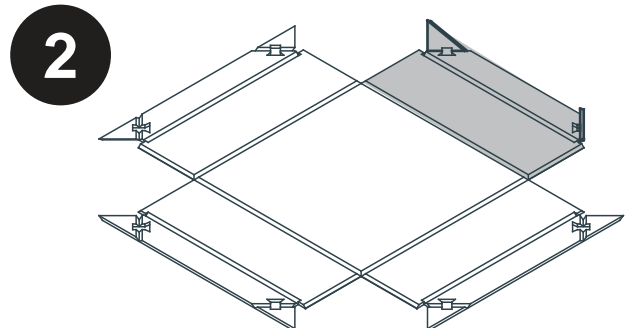
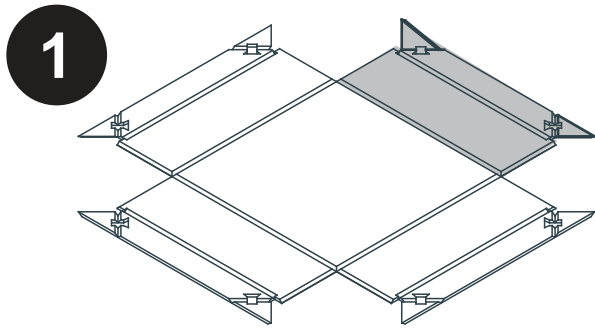


<https://youtu.be/lexnXganpwM>

FOLDING THE ADA WALL TILE

Follow the step-by-step guide to fold your ADA Wall Tile (A) for mounting installation.

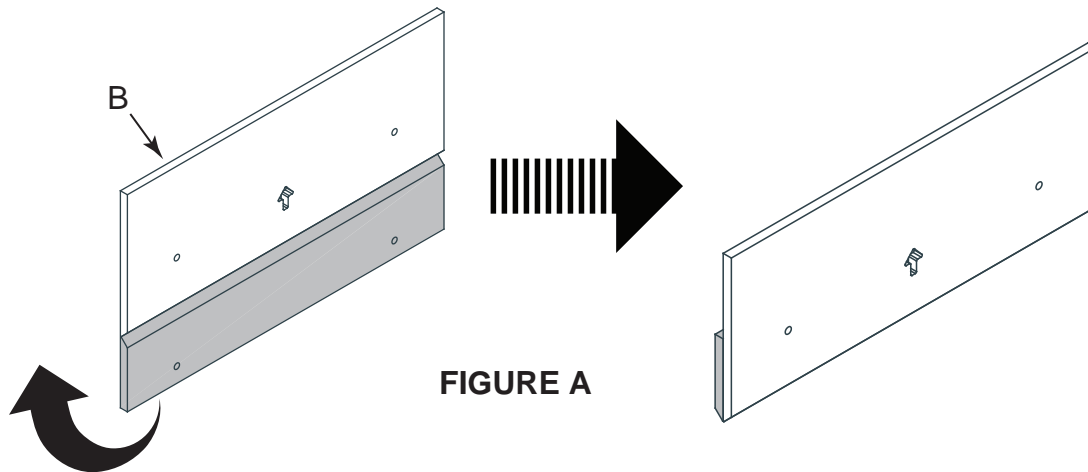
NOTE: Folding procedure shown using an 8" depth wall tile. The procedure is the same for both 8" and 4" depth products.



FOLDING THE MOUNTING PANEL

NOTE: Mounting Panel (B) will be attached to wall with arrow pointing upwards.

- Fold bottom section of mounting panel (B) to the back, as shown. (**FIGURE A**)



DETERMINING MOUNTING LOCATION FOR ADA WALL TILES

ADA Mounting Considerations



CAUTION:

- When installing your wall tiles, it is important to understand the specific purpose of this ADA compliance is to provide visually impaired individuals with an object they can detect via cane sweep.

Therefore, objects attached to the wall protruding 4" (10 cm) or more, such as wall tiles with a depth of 4" or 8" (20 cm), must be attached at a height between 0 - 27" (69 cm) above the finished floor to prevent visually impaired individuals from bumping into other objects located nearby, on, or against the same wall.

See the following figure on the next page for more information. (**FIGURE B**)

- Refer to <https://www.ada.gov/> and consider additional ADA requirements, such as the horizontal distance between the tile and other objects based on the items you have on or against the walls of your room.

PRECAUCIÓN:

- Al instalar los azulejos de pared, es importante comprender que el objetivo del cumplimiento de la ADA es proporcionar un objeto que las personas con discapacidad visual puedan detectar con su bastón.

Por lo tanto, los objetos fijados a la pared sobresalgan 4 pulgadas (10 cm) o mas, como los azulejos de pared con una profundidad de 4 pulgadas o 8 pulgadas (20 cm), deben fijarse a una altura comprendida entre 0 y 27 pulgadas (69 cm) por encima del suelo acabado para evitar que las personas con discapacidad visual choquen con otros objetos situados cerca o contra la misma pared.

Consulte la siguiente figura en la página siguiente para obtener más información. (**FIGURA B**)

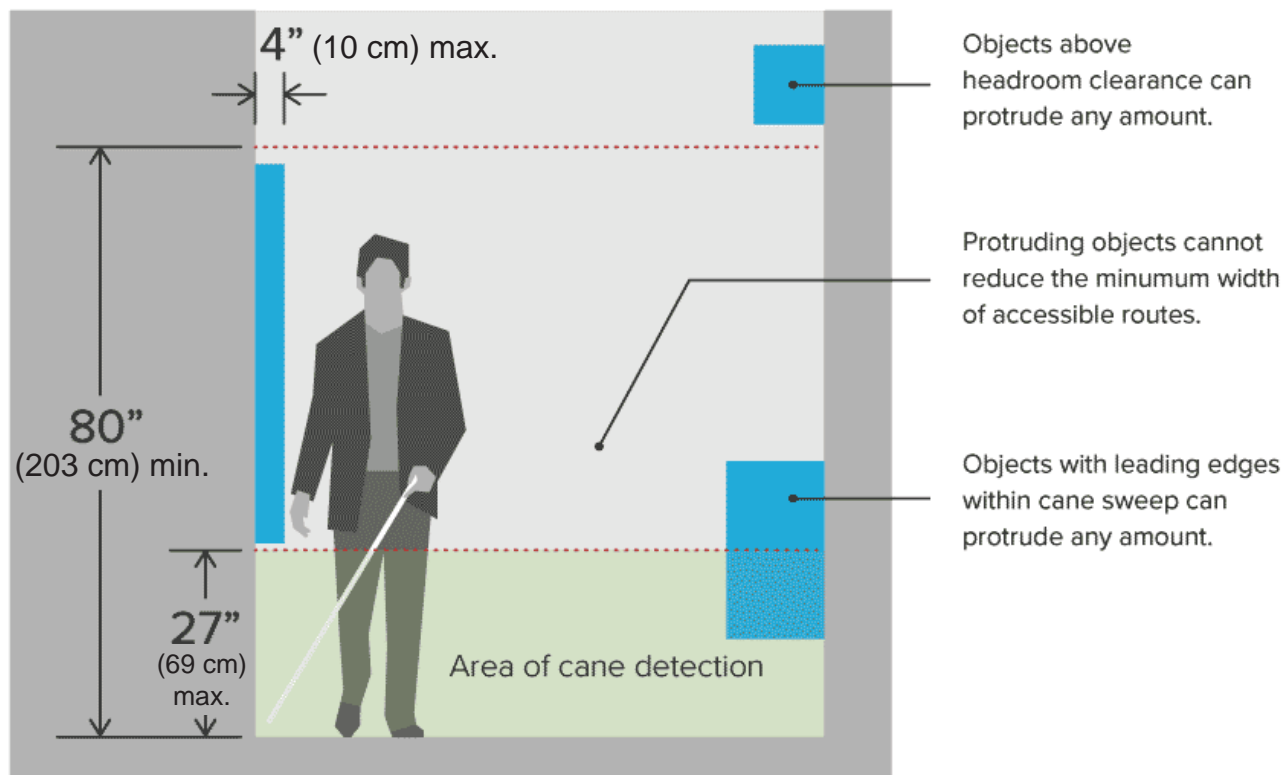
- Consulte <https://www.ada.gov/> y tenga en cuenta los requisitos adicionales de la ADA, como la distancia horizontal entre el azulejo y otros objetos, en función de los elementos que tenga en las paredes de su habitación o contra ellas.

Considérations Relatives au Montage ADA (Suite)



ATTENTION:

- Lors de la pose de vos carreaux muraux, il est important de comprendre que l'objectif de la conformité ADA est de fournir un objet que les personnes malvoyantes peuvent détecter à l'aide de leur canne.
Par conséquent, les objets fixés au mur qui dépassent de 10 cm (4 pouces) ou plus, tels que les carreaux muraux d'une profondeur de 10 cm (4 pouces) ou 20 cm (8 pouces), doivent être fixés à une hauteur comprise entre 69 cm (0 et 27 pouces) au-dessus du sol fini afin d'éviter que les personnes malvoyantes ne se cognent contre d'autres objets situés à proximité et sur ou contre le même mur.
- Pour plus d'informations, voir la figure suivante. (**FIGURE B**)
- Reportez-vous à la norme <https://www.ada.gov/> et tenez compte des exigences supplémentaires de l'ADA, telles que la distance horizontale entre le panneau et les autres objets, en fonction des éléments que vous avez sur ou contre les murs de votre pièce.



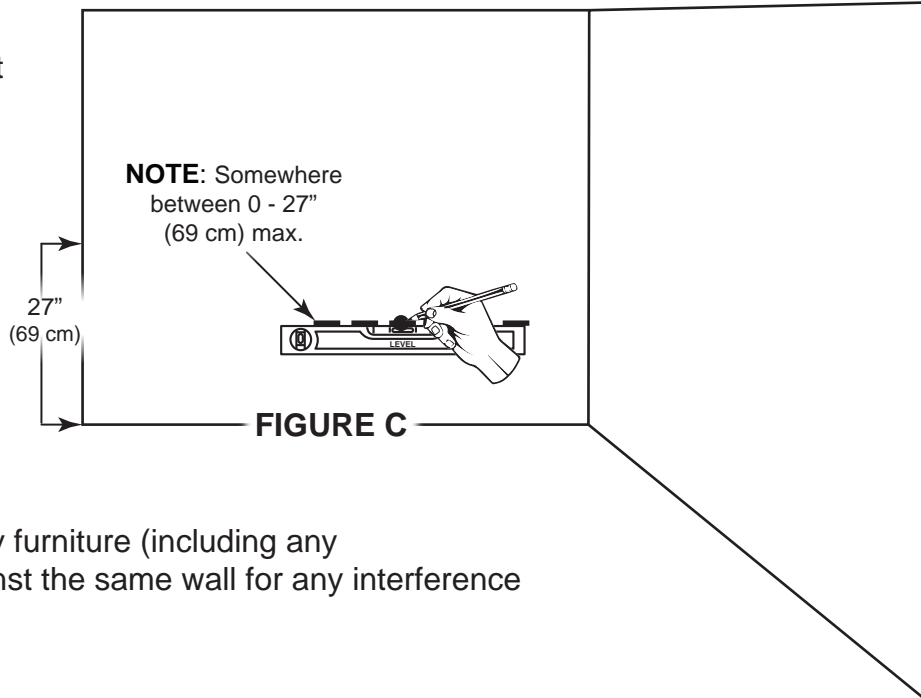
Source: United States Access Board

FIGURE B

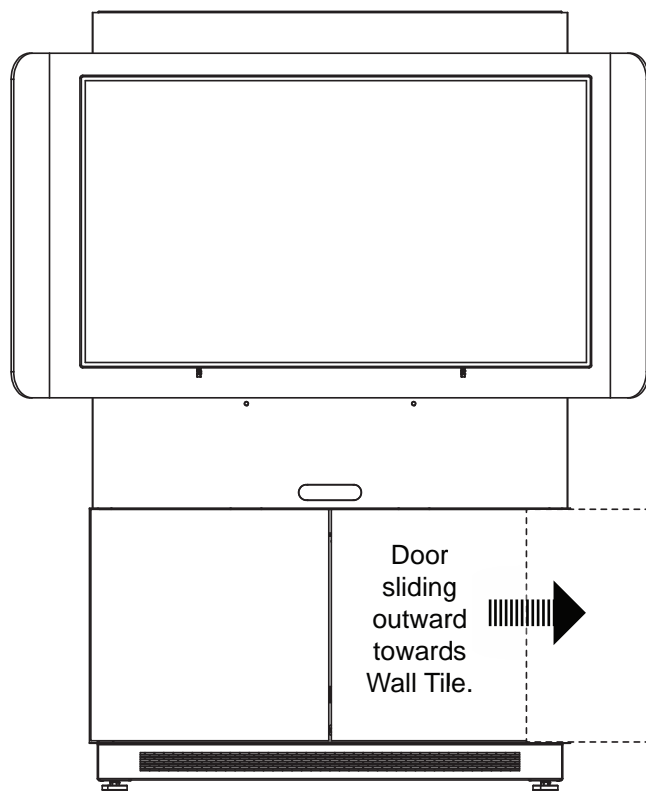
ATTACHING MOUNTING PANEL TO WALL

1. Use a ruler to measure 27" (69 cm) up from the finished floor and select a height somewhere between 0 and 27" for the bottom of your wall tile. (**FIGURE C**)

TIP: With 8" and 4" tiles both having a height of 24" (61 cm), consider items on or against the same wall to help picture a more aesthetically pleasing mounting location inside your room.



2. Check door clearances of all nearby furniture (including any moving parts) and items on or against the same wall for any interference with your wall tile (**A**). (**FIGURE D**)



NOTE: Tile shown mounted next to a Forum Display Stand as an example. Always check clearances of nearby furniture (including any moving parts) for any interference with your wall tile (**A**).

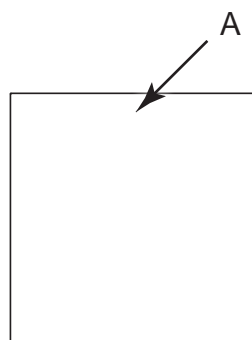
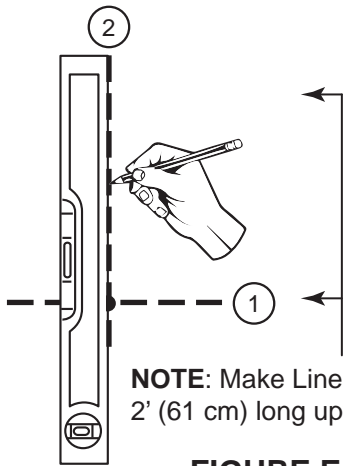


FIGURE D

ATTACHING MOUNTING PANEL TO WALL (CONTINUED)

- Use a pencil and a level to draw Line 1 as the bottom of your wall tile. Mark a dot along the line where you want the center of your tile to be positioned.



NOTE: Make Line 2 approximately 2' (61 cm) long upward from Line 1.

FIGURE E

REMEMBER: Refer to <https://www.ada.gov/> and consider additional ADA requirements, such as the horizontal distance between the tile and other objects based on the items you have on or against the walls of your room.

- Draw Line 2 vertically to intersect with Line 1 at the center point you determined for your tile during the previous step. Make Line 2 approximately 2' (61 cm) long upward from Line 1. (**FIGURE E**)

- Draw Line 3 approximately 19.6" (50 cm) above Line 1. (**FIGURE F**)

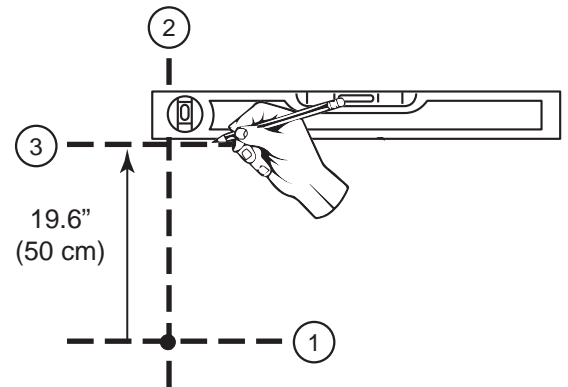


FIGURE F

- Use Line 2 as a centerline and mark (2x) hole locations on Line 3 approximately 5.5" (14 cm) away from either side of the centerline, as shown. (**FIGURE G**)

- Repeat the previous steps for attaching any additional wall tiles to completion.

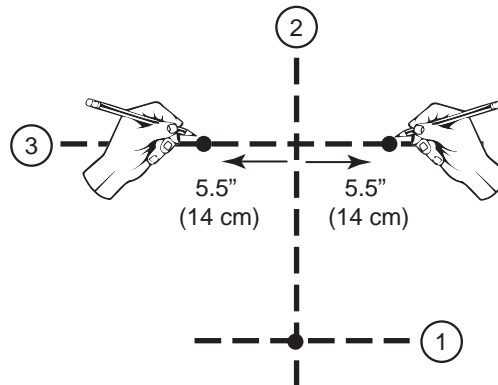


FIGURE G

ATTACHING MOUNTING PANEL TO WALL (CONTINUED)

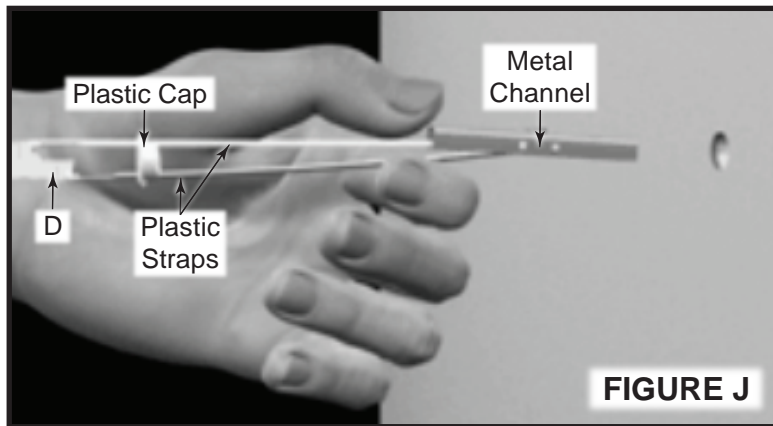
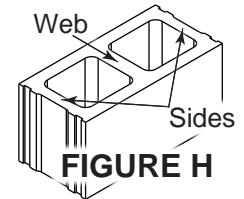
IF YOU ARE SECURING YOUR PANEL TO A WALL WITH CINDERBLOCK, STEEL STUDS OR CONCRETE:

NOTE:

- If you are not securing your panel into cinderblocks or steel studs using the provided SNAPTOGGLE® anchors (D), and instead are going into a solid concrete wall or wood studs, you must provide your own concrete anchor or lag bolt hardware.
- Adjust torque on electric drill to the “drill” setting.

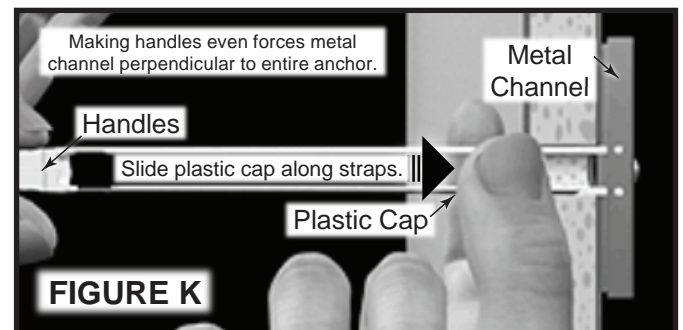
1. Use electric drill and ½” drill bit to drill holes in the marked locations.

NOTE: If securing to cinderblocks, avoid drilling into webs and sides as shown. (FIGURE H)



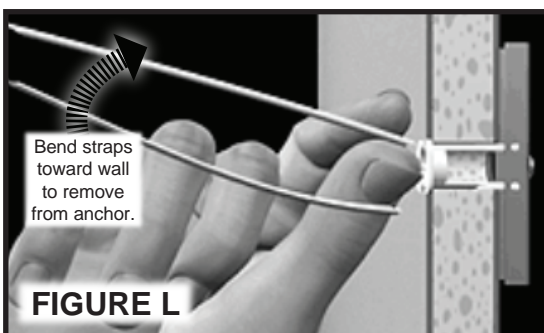
2. Insert SNAPTOGGLE® anchor (D) into a hole by holding the metal channel flat alongside the plastic straps and sliding the channel through the hole as shown. (FIGURE J)

3. Make the plastic strap handles even to force the metal channel perpendicular to the entire anchor. (FIGURE K)



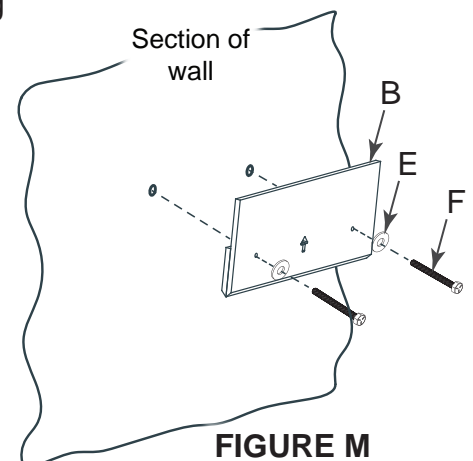
4. Secure the anchor by firmly sliding the plastic cap along the straps until the flange of the cap is flush with the wall.

5. Snap off plastic straps from the anchor by carefully bending them toward the wall. (FIGURE L)



6. Repeat steps 2 - 5 to insert SNAPTOGGLE anchors (D) into all of your location holes drilled during step 1.

7. Align holes on mounting panel (B) with drilled holes. (FIGURE M)



NOTE:

- Mounting panel (B) arrow should be pointing up when attaching to the wall.
- Adjust torque on electric drill to lightest setting and only increase as necessary.

8. Use electric drill and Phillips bit to screw ¼”-20 x 2½” bolts (F) and ¼” washers (E) through each hole on your panel and into each corresponding anchor.

ATTACHING MOUNTING PANEL TO WALL (CONTINUED)

IF YOU ARE SECURING YOUR PANEL TO WOOD STUDS INSIDE OF THE WALL:

NOTE:

- If you are not securing your panel into steel studs using the provided SNAPTOGGLE® anchors (C), and instead are going into wood studs, you must provide your own lag bolt hardware.
- Adjust torque on electric drill to the “drill” setting.

1. Use an electric drill and 3/32” drill bit to drill holes in all the marked hole locations hitting the wall studs each time for proper support.

NOTE: Adjust torque on electric drill to lightest setting and only increase as necessary.

2. Use electric drill and Phillips bit to screw 1/4” x 2 1/2” lag bolts (not provided) through 1/4” washers (E), and into each hole.

ATTACHING ADA WALL TILE

- Carefully lift and insert the back face of your ADA wall tile (A) onto the mounting panel (B), as shown. (FIGURE N)

NOTE: Mounting panel should be secured to the wall prior to attaching your ADA wall tile. Reverse angle shown for clarity.

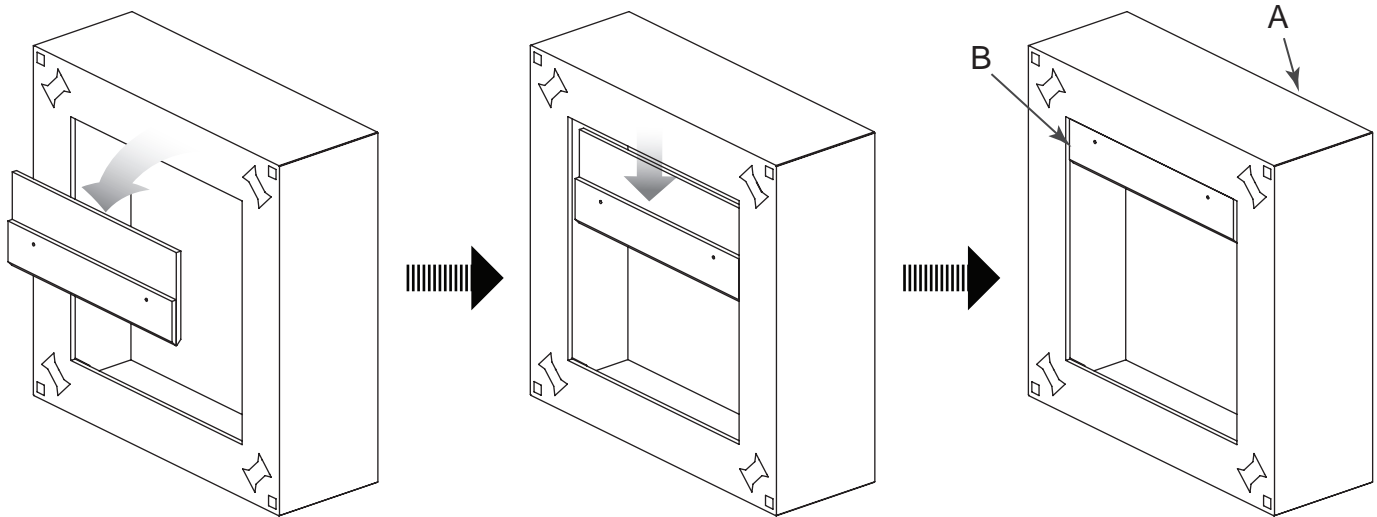


FIGURE N

WARRANTY

For warranty information, refer to www.legrandav.com/policies/warranty_information.

Contacting Corporate Headquarters

P: (866) 977-3901 | F: (877) 894-6918 | www.legrandav.com | av.support@legrand.com

Contacting Middle Atlantic Canada

P: (888) 766-9770 | F: (888) 599-5009 | ca.middleatlantic.com | av.canada.customerservice@legrand.com

Contacting Middle Atlantic Europe, Middle East, and Africa (EMEA) Technical Support

P: +31 495-726-003 | av.emea.middleatlantic.support@legrand.com

United States (US)

Legrand | AV Headquarters
6436 City West Parkway
Eden Prairie, MN, 55344, USA

European Union (EU)

Legrand AV Netherlands
B.V. Franklinstraat 14 6003
DK, Weert, Netherlands

United Kingdom (UK)

Starline Holding Technology Ltd.
(Authorized Representative)
Unit C, Island Rd.
Reading RG2, 0RP- UK

At Legrand AV Inc. we are always listening. Your comments are welcome.

Legrand AV is an ISO 9001 and ISO 14001 Registered Company.

MIDDLE ATLANTIC®

A brand of  **legrand®**