



NAS

Quick Installation Guide

快速安裝手冊 빠른 설치 설명서 Guía de Instalación Rápida

クイックインストールガイド Hızlı Kurulum Kılavuzu

คู่มือการติดตั้งแบบเร็ว Průvodce rychlou instalací

Instrukcja szybkiej instalacji 快速安裝指南

Kurzinstallationsanleitung Gyors telepítési útmutató

Guida di installazione rapida Pika-asennusopas

Краткое руководство по установке

Snabbinstallationsguide

Guia de Instalação Rápida

Hurtiginstallasjonsveiledning

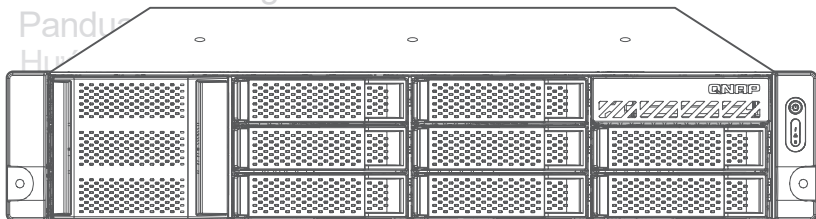
Hurtig installationsvejledning

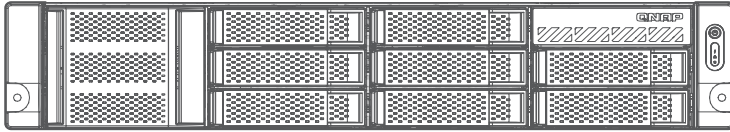
Pika-asennusopas Installatiegids

Snelle Installatiegids

Panduan

Hur





SSD/HDD

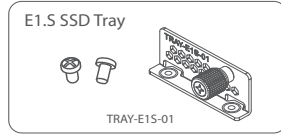
<http://www.qnap.com/compatibility>



2.5" SSD

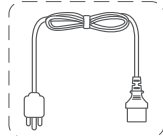
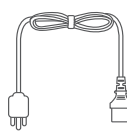
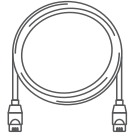


3.5" HDD

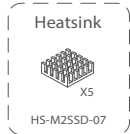


E1.5 SSD Tray

TRAY-E15-01



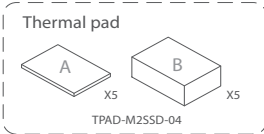
Optional Accessories



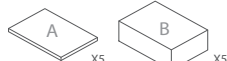
Heatsink



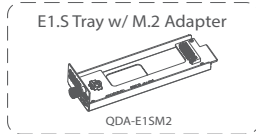
HS-M2SSD-07



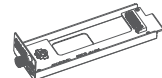
Thermal pad



TPAD-M2SSD-04

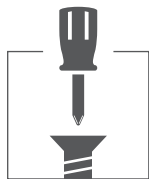


E1.5 Tray w/ M.2 Adapter



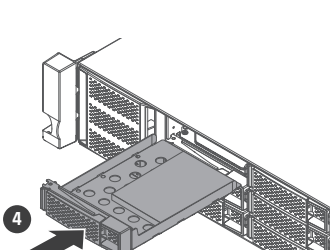
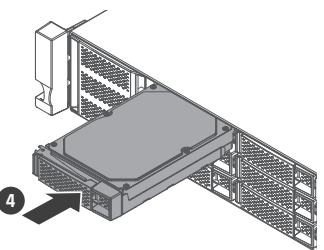
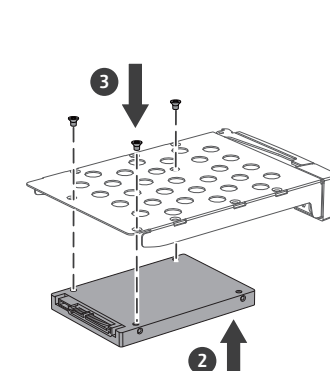
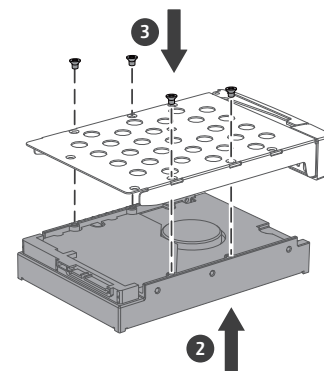
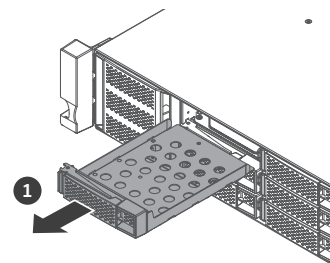
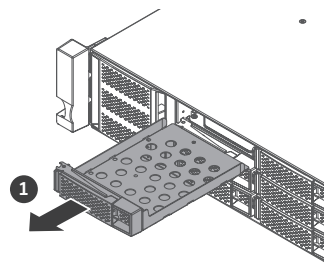
QDA-E15M2

- EN | All the drive data will be cleared upon SSD / HDD initialization
- DE | Alle Laufwerksdaten werden bei SSD/HDD-Initialisierung gelöscht
- FR | Toutes les données présentes sur les disques seront effacées lors de l'initialisation des SSD/HDD
- IT | Tutti i dati presenti verranno cancellati durante l'inizializzazione degli SSD / HDD
- ES | Todos los datos del disco serán borrados con la inicialización del SSD / HDD
- NL | Alle gegevens worden gewist tijdens de initialisatie van de SSD/ HDD's
- SV | All data kommer att raderas när SSD / HDD initieras
- FI | SSD / HDD alustaminen poistaa kaikki tiedostot
- DA | Alle data på drevet vil blive ryddet efter initialisering af SSD / HDD
- NO | All data vil bli stettet når SSD / HDD er initialisert
- PT | Todos os dados do SSD / HDD serão apagados com a inicialização do SSD / HDD
- RU | После инициализации SSD/HDD все данные на нем будут удалены
- ZH | 硬碟初始化時，所有資料皆會被清除
- CN | 所有 SSD / HDD 上的数据都将会被清除
- JA | SSD/HDD を初期化すると、すべてのデータが消去されます
- KO | SSD / HDD 를 초기화 시키면 드라이브의 모든 데이터가 손실됩니다
- TH | ข้อมูลในไดรฟ์จะถูกลบออก เมื่อมีการตั้งค่าเริ่มต้น
- TR | Kurulum başladığında SSD / HDD disk üzerinde ki tüm veri siline cektir
- HU | Minden korábbi adat törlődik az SSD / HDD-ről az első rendszeri ndítás során
- CS | Všechna data na SSD / HDD budou smazána v důsledku inicializace
- PL | Podczas instalacji wszystkie dane na dyskach SSD / HDD zostaną usunięte
- AR | قىبهت وءن صراق أءل الءرءم ءاناب لك مءسم هءء HDD (ءبل صءل الءءرء) SSD (ءبل صءل الءءرء) الءرءم
- ID | Semua data pada drive akan dihapus saat inialisasi SSD/HDD
- VI | Tất cả dữ liệu trên ổ đĩa sẽ bị xóa khi khởi tạo SSD / HDD



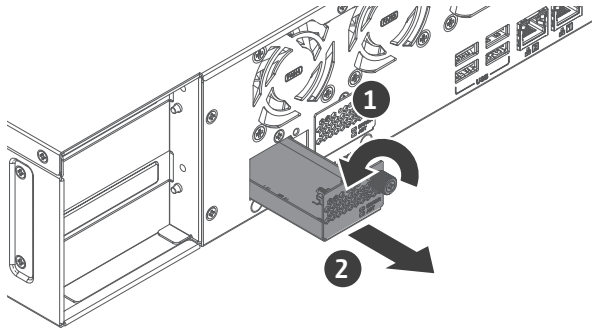
3.5-inch SATA HDD

2.5-inch SATA SSD

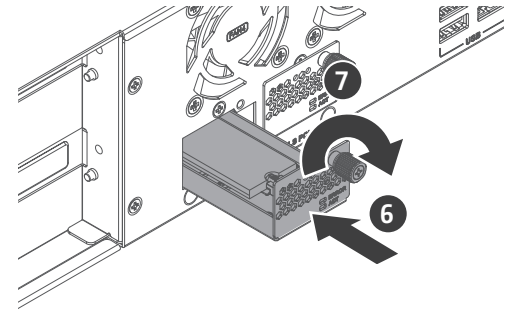
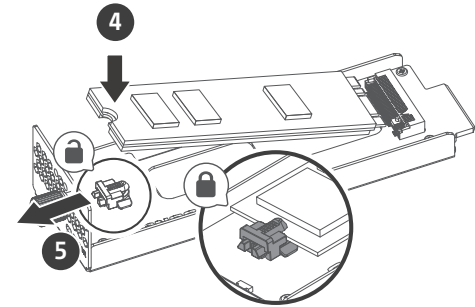
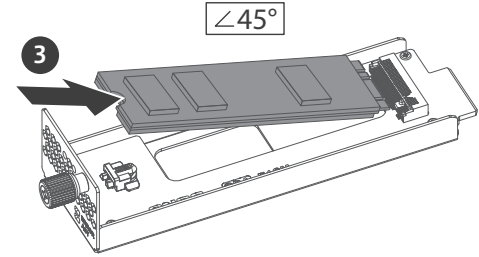
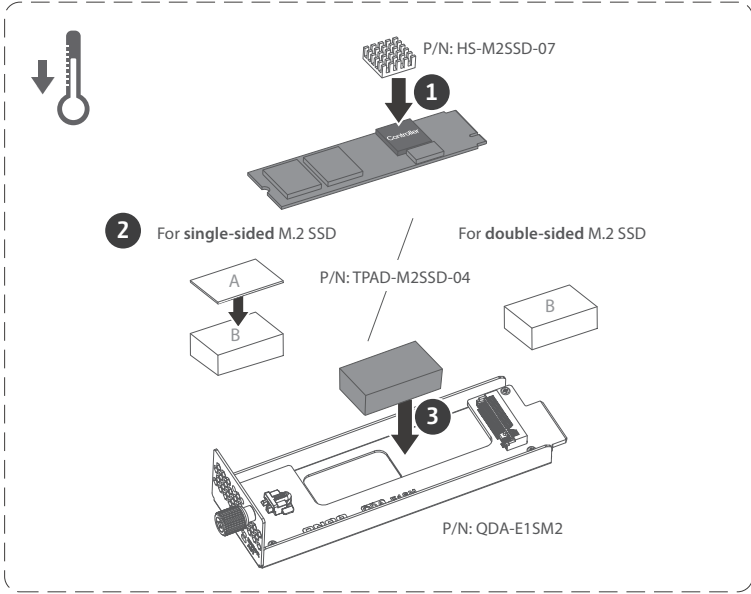


- EN | Tighten the screws to prevent the tray from getting stuck to the chassis.
- DE | Ziehen Sie die Schrauben an, um zu verhindern, dass der Einschub am Gehäuse stecken bleibt.
- FR | Serrez les vis pour éviter que le plateau ne reste collé au châssis.
- IT | Serrare le viti per evitare che il vano si blocchi nello chassis.
- ES | Apriete los tornillos para evitar que la bandeja quede atascada en el chasis.
- NL | Draai de schroeven vast om te voorkomen dat de lade bekneld raakt in het frame.
- SV | Dra åt skruvarna för att förhindra att facket fastnar i chassina.
- FI | Kiristä ruuvit, jotta alusta ei juutu runkoon.
- DA | Spænd skruerne for at forhindre bakken i at sidde fast i kabinettet.
- NO | Trekk til skruene for å unngå at skuffen setter seg fast i kabinettet.
- PT | Aperte os parafusos para evitar que a bandeja fique travada no chassi.
- RU | Затяните винты, чтобы лоток не сошел с шасси.
- ZH | 鎖緊螺絲以防止托盤卡在機殼裡。
- CN | 拧紧螺丝，以免托盘卡在机箱上。
- JA | トレーがシャーシに引っかからないようにネジを締めます。
- KO | 트레이가 새시에 걸리지 않도록 나사를 조여 주십시오.
- TH | ชนสกรูให้แน่น เพื่อป้องกันไม่ให้ถาดไปติดกับแชสซี
- TR | Tepsinin çerçeveye sıkışmasını önlemek için vidaları sıkın.
- HU | Húzza meg a csavarokat, hogy a tálca ne akadjon el a házban.
- CS | Abyste zabránili zaklínění přihrádky k šasi, utáhněte šrouby.
- PL | Dokładnie dokręć pokręty, aby kieszeń nie zaklinowała się w obudowie.
- AR | شدت لولاب واهرت لال ال نم قبل ال غنم ل بدم اسم ال طبرم كج
- ID | Kencangkan sekrop untuk mencegah laci macet pada rangka
- VI | Hãy vặn chặt các ốc vít để đảm bảo khay không bị kẹt vào khung máy.

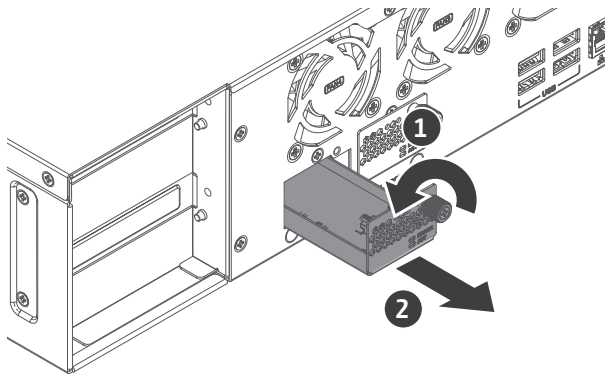
M.2 2280 NVMe SSD



Optional

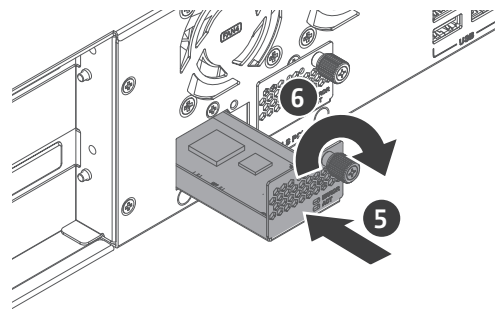
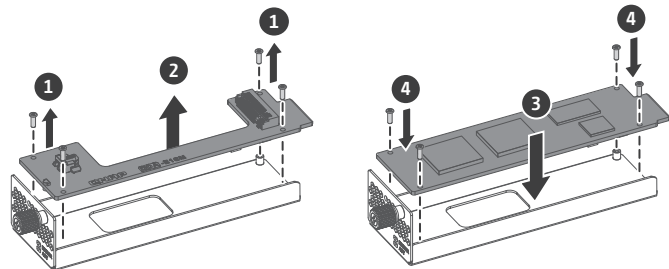
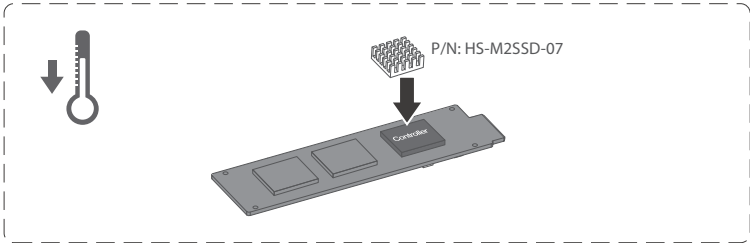


E1.S SSD



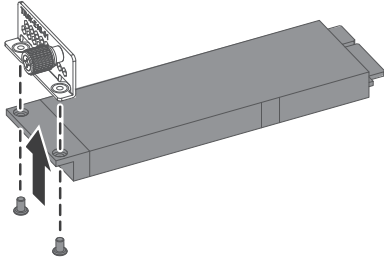
E1.S SSD (H: 5.9mm)

Optional



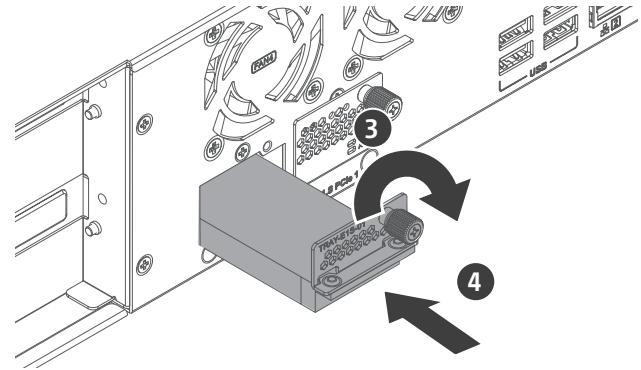
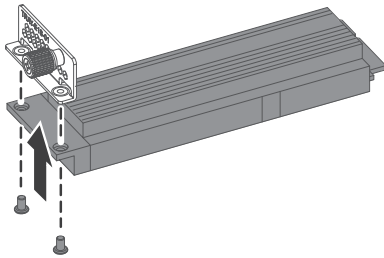
E1.S SSD (H: 9.5mm)

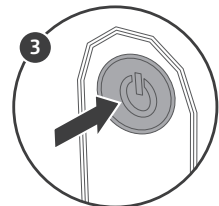
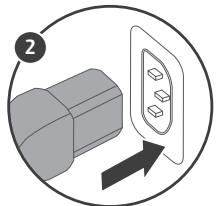
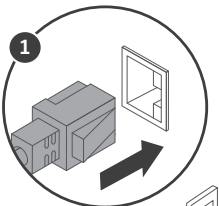
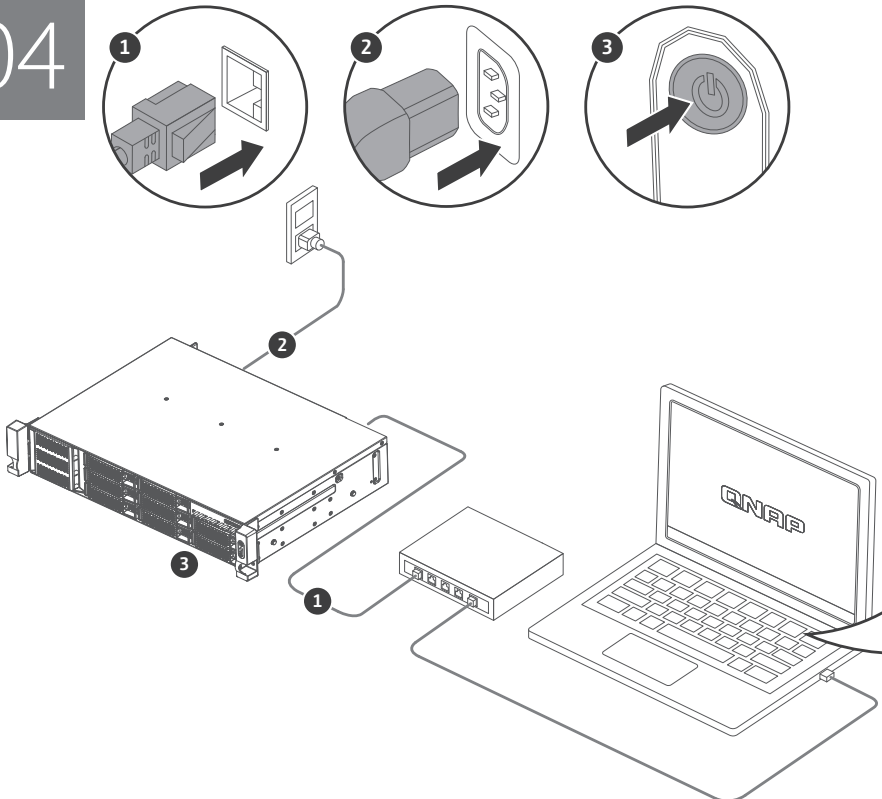
P/N : TRAY-E1S-01



E1.S SSD (H: 15mm)

P/N : TRAY-E1S-01





Reset



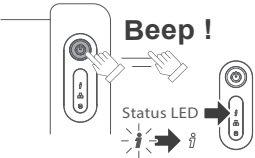
QTS 5.2.x / QuTS hero 5.2.x or later



Safe Shutdown



Force Shutdown



Windows Mac Linux

<http://www.qnap.com/qfinderpro>

Cloud Installation <https://install.qnap.com/>

Scan the QR code

Service Portal

Cloud Installation
Create Support Ticket

<https://service.qnap.com/install>

a

b

c



- EN** | Visit Download Center for our full guides and utilities.
- DE** | Unsere vollständigen Handbücher und Dienstprogramme finden Sie im Download Center.
- FR** | Visitez le Centre de téléchargement pour accéder à nos guides et utilitaires complets.
- IT** | Per le guide e le utilità complete, visitare il Centro download.
- ES** | Visite el Centro de descargas para ver todas nuestras guías y utilidades.
- NL** | Bezoek het downloadcentrum voor onze uitgebreide gidsen en hulpprogramma's.
- SV** | Besök Nedladdningscenter för våra fullständiga guider och verktyg.
- FI** | Katso täydelliset oppaat ja apuohjelmat latauskeskuksestamme.
- DA** | Besøg Downloadcenter for at se alle vores vejledninger og hjælpværktøjer.
- NO** | Gå til Nedlastingscenter for fullstendige veiledninger og verktøy.
- PT** | Visite a Central de Download para acessar nossos guias e utilitários completos.
- RU** | Чтобы ознакомиться с полным набором руководств и служебных программ, посетите Центр загрузки. ru
- ZH** | 請前往下載中心取得完整指南和應用工具
- CN** | 有关完整指南和实用工具·请访问“下载中心”
- JA** | 完全なガイドとユーティリティについては、ダウンロードセンターをご覧ください
- KO** | 다운로드 센터에서 전체 지침 및 유틸리티를 확인하십시오.
- TH** | กรุณาเข้าสู่ศูนย์การดาวน์โหลดเพื่อดาวน์โหลดคู่มือฉบับสมบูรณ์และโปรแกรมอรรถประโยชน์ต่าง ๆ
- TR** | Tam kılavuzumuz ve yardımcı hizmetlerimiz için İndirme Merkezi'ni ziyaret edin.
- HU** | A teljes útmutatók és segédprogramok megtekintéséhez keresse fel a Letöltési központot.
- CS** | Kompletního průvodce a nástroje najdete na webu Centrum stahování.
- PL** | Odwiedź Centrum pobierania, aby uzyskać kompletne przewodniki i narzędzia.
- AR** | يرجى زيارة مركز خدماتنا للحصول على دليل المستخدم وأدواتنا.
- ID** | Silakan kunjungi Pusat Unduhan untuk panduan dan utilitas lengkap kami
- VI** | Truy cập Trung tâm Tải xuống để xem đầy đủ hướng dẫn và tiện ích.



conditions: (1) this device may not cause harmful interference, and (2) this device must accept any interference received, including interference that may cause undesired operation.

FCC Class A Notice:

This equipment has been tested and found to comply with the limits for a Class A digital device, pursuant to Part 15 of the FCC Rules. These limits are designed to provide reasonable protection against harmful interference when the equipment is operated in a commercial environment. This equipment generates, uses, and can radiate radio frequency energy, and if not installed and used in accordance with the instruction manual, may cause harmful interference to radio communications. Operation of this equipment in a residential area is likely to cause harmful interference, in which case the user will be required to correct the interference at his own expense.

Modifications: Any modifications made to this device that are not approved by QNAP Systems, Inc. may void the authority granted to the user by the FCC to operate this equipment.



This device complies with CE compliance Class A.



According to the requirement of the WEEE legislation the following user information is provided to customers for all branded QNAP Electronics products subject to the WEEE directive.

This symbol on the product or on its packaging indicates that this product must not be disposed of with your other household waste. Instead, it is your responsibility to dispose of your waste equipment by handing it over to a designated collection point for the recycling of waste electrical and electronic equipment. The separate collection and recycling of your waste equipment at the time of disposal will help to conserve natural resources and ensure that it is recycled in a manner that protects human health and the environment. For more information about where you can drop off your waste equipment for recycling, please contact your local city office, your household waste disposal service or the shop where you purchased the product.



Office in EU;
QNAP GmbH,
Karl-Arnold-Straße 26,
47877 Willich, Germany

Office in UK;
QNAP Ltd,
2 Drakes Meadow, Swindon SN3 3LL
United Kingdom

This device complies with the UKCA requirements for products sold in Great Britain.



更多關於安全、法規、與環境法令遵循相關的資訊·請參閱以下網址 www.qnap.com/regulatory/



Operation of this equipment in a residential environment could cause radio interference.

付属の電源コードは当該製品専用です。他の機器に使用しないでください。

断接装置：器具耦合器应当便于操作·附近不得被其他物体遮挡；
注意：用错误型号电池更换会有爆炸危险·务必按照说明处置用完的电池。

CAN ICES-003(A) / NMB-003(A)

⚠ WARNING

- **INGESTION HAZARD:** This product contains a button cell or coin battery.
- **DEATH** or serious injury can occur if ingested.
- A swallowed button cell or coin battery can cause **Internal Chemical Burns** in as little as **2 hours**.
- **KEEP** new and used batteries **OUT OF REACH of CHILDREN**
- **Seek immediate medical attention** if a battery is suspected to be swallowed or inserted inside any part of the body.



1. Battery type: CR2032.

2. Nominal battery voltage: 3.0 volts.

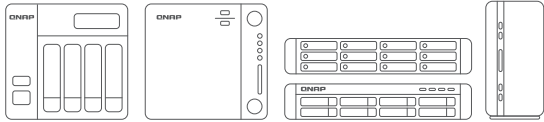
- Remove and immediately recycle or dispose of used batteries according to local regulations and keep away from children. Do NOT dispose of batteries in household trash or incinerate.
- Even used batteries may cause severe injury or death.
- Call a local poison control center for treatment information.
- Non-rechargeable batteries are not to be recharged.
- Do not force discharge, recharge, disassemble, heat above (manufacturer's specified temperature rating) or incinerate. Doing so may result in injury due to venting, leakage or explosion resulting in chemical burns.
- Ensure the batteries are installed correctly according to polarity (+ and -).
- Do not mix old and new batteries, different brands or types of batteries, such as alkaline, carbon-zinc, or rechargeable batteries.
- Remove and immediately recycle or dispose of batteries from equipment not used for an extended period of time according to local regulations.
- Always completely secure the battery compartment. If the battery compartment does not close securely, stop using the product, remove the batteries, and keep them away from children.

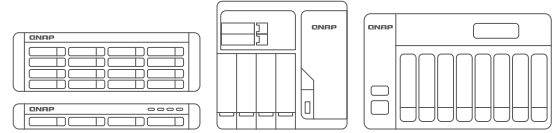
EC

REP

QNAP GmbH
Karl-Arnold-Straße 26, 47877 Willich, Germany

www.qnap.com







install.qnap.com



service.qnap.com



download.qnap.com



Contact QNAP

QNAP®



51000-025585-HF