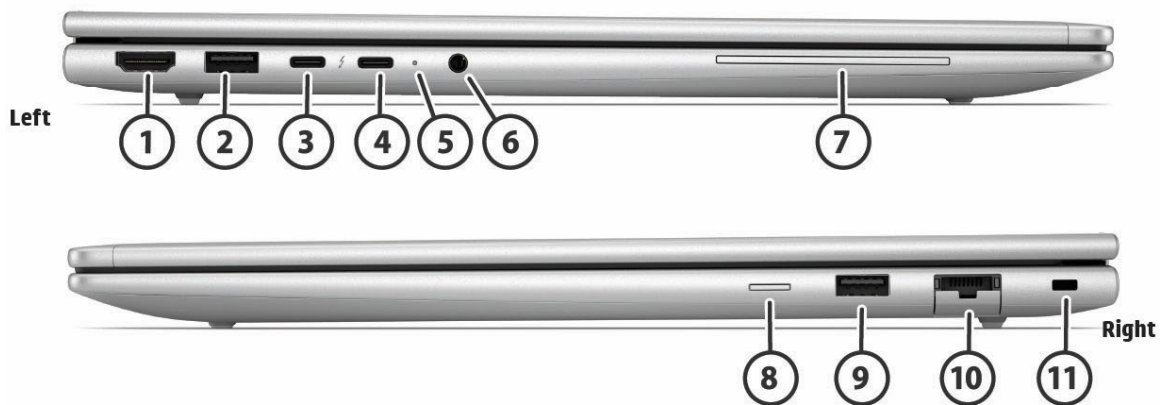


HP EliteBook 6 G2i 16 inch Notebook Next Gen AI PC



Front

- | | | | |
|---|-------------------------|---|---------------------|
| 1 | Internal Microphone (2) | 4 | Camera Shutter |
| 2 | Webcam LED | 5 | Finger Print Reader |
| 3 | Webcam | 6 | Touchpad |



Sides

1	HDMI 2.1	8	Nano SIM card slot (optional)
2	USB Type-A 5Gbps signaling rate (Powered)	9	USB Type-A 5Gbps signaling rate (Powered)
3	Thunderbolt™ 4 with USB Type-C® 40Gbps signaling rate (USB Power Delivery, DisplayPort™ 2.1)¹	10	RJ45 Ethernet port
4	Thunderbolt™ 4 with USB Type-C® 40Gbps signaling rate (USB Power Delivery, DisplayPort™ 2.1)¹	11	Nano Security Slot
5	Power Indicator LED		
6	Headphone/mic combo jack		
7	Smart Card Reader (optional)		

1. USB 20Gbps signaling rate is not available with Thunderbolt™ 4. Actual throughput may vary.

PRODUCT NAME

HP EliteBook 6 G2i 16 inch Notebook Next Gen AI PC



OPERATING SYSTEM

Preinstalled

FreeDOS

Windows 11 Home - HP recommends Windows 11 Pro for business ¹

Windows 11 Home Single Language - HP recommends Windows 11 Pro for business ¹

Windows 11 Pro Education ¹

Windows 11 Pro ¹

Windows 11 Pro (Windows 11 Enterprise available with a Volume Licensing Agreement) ¹

1. Not all features are available in all editions or versions of Windows. Systems may require upgraded and/or separately purchased hardware, drivers, software or BIOS update to take full advantage of Windows functionality. Windows is automatically updated and enabled. High speed internet and Microsoft account required. ISP fees may apply and additional requirements may apply over time for updates. See <http://www.windows.com>



PROCESSORS

Processor ^{2,3,4,5,6}	Cores	Number of P-cores	Number of E-cores	Number of LP E-cores	Threads	Smart Cache	Max Turbo Frequency ³			Intel SIPP/ vPro® Enterprise	Integrated Graphic	NPU
							P-cores	E-cores	LPE-cores			
Intel® Core™ Ultra7 processor 366H	16 cores	4	8	4	16	18 MB	4.80 GHz	3.60 GHz	3.40 GHz	X	Intel® Graphics	50 TOPS
Intel® Core™ Ultra7 processor 356H	16 cores	4	8	4	16	18 MB	4.70 GHz	3.50 GHz	3.30 GHz		Intel® Graphics	50 TOPS
Intel® Core™ Ultra5 processor 336H	12 cores	4	4	4	12	18 MB	4.60 GHz	3.40 GHz	3.20 GHz	X	Intel® Graphics	47 TOPS
Intel® Core™ Ultra7 processor 355	8 cores	4	0	4	8	12 MB	4.70 GHz	NA	3.50 GHz		Intel® Graphics	49 TOPS
Intel® Core™ Ultra5 processor 335	8 cores	4	0	4	8	12 MB	4.60 GHz	NA	3.40 GHz	X	Intel® Graphics	47 TOPS
Intel® Core™ Ultra5 processor 325	8 cores	4	0	4	8	12 MB	4.50 GHz	NA	3.40 GHz		Intel® Graphics	47 TOPS
Intel® Core™ Ultra5 processor 332	6 cores	2	0	4	6	12 MB	4.40 GHz	NA	3.30 GHz	X	Intel® Graphics	46 TOPS
Intel® Core™ Ultra5 processor 322	6 cores	2	0	4	6	12 MB	4.40 GHz	NA	3.30 GHz		Intel® Graphics	46 TOPS

Processor Family

Intel® Core™ Ultra7 processor

Intel® Core™ Ultra5 processor



2. Multicore is designed to improve performance of certain software products. Not all customers or software applications will necessarily benefit from use of this technology. Performance and clock frequency will vary depending on application workload and your hardware and software configurations. Intel® numbering, branding and/or naming is not a measurement of higher performance.
 3. Intel® Turbo Boost performance varies depending on hardware, software and overall system configuration.
 4. Features and software that require a NPU may require software purchase, subscription or enablement by a software or platform provider, and third party software may have specific configuration or compatibility requirements. Potential NPU inferencing performance varies by use, configuration, and other factors.
 5. For full Intel® vPro® functionality, Windows 10 Pro 64 bit, a vPro supported processor, vPro enabled chipset, vPro enabled wired LAN and/or WLAN card and TPM 2.0 are required. Some functionality requires additional 3rd party software in order to run. See <http://intel.com/vpro>
 6. In accordance with Microsoft's support policy, HP does not support the Windows 8 or Windows 7 operating system on products configured with Intel and AMD 7th generation and forward processors or provide any Windows 8 or Windows 7 drivers on <http://www.support.hp.com>.
-



GRAPHICS

Integrated

Intel® Graphics⁷

Supported protocols

Support HDMI 2.1 (up to 4K 60Hz)

Display supported (including internal display; dock may be required) up to 4

Codec

Hardware Acceleration HEVC (H.265) CODEC is an optional feature and must be configured at purchase.

7. Intel® ARC™ graphics only available on select Intel® Core™ Ultra H-series processor-powered systems with at least 16GB of system memory in dual channel configuration.



DISPLAY

Availability may vary by country.

Actual brightness will be lower with touchscreen or HP Sure View.

Non-Touch

40.6 cm (16") diagonal, WUXGA (1920 x 1200), LCD, UWVA, Anti-Glare, Low Blue Light, 800 nits, sRGB 100%, Sure View 6⁸

40.6 cm (16") diagonal, 2.5K (2560 x 1600), LCD, 120Hz (VRR), UWVA, Anti-Glare, WLED+Low Blue Light, 400 nits, Adobe 100% + DCI-P3 100%

40.6 cm (16") diagonal, WUXGA (1920 x 1200), LCD, UWVA, Anti-Glare, WLED+Low Blue Light, 400 nits, Low Power, sRGB 100%

40.6 cm (16") diagonal, WUXGA (1920 x 1200), LCD, UWVA, Anti-Glare, WLED, 300 nits, sRGB 62.5%

40.6 cm (16") diagonal, WUXGA (1920 x 1200), OLED, UWVA, Anti-Glare, OLED+Low Blue Light, 300 nits, DCI-P3 100%

Touch

40.6 cm (16") diagonal, WUXGA (1920 x 1200), LCD, Touch on Panel, UWVA, Anti-Glare, WLED, 300 nits, sRGB 62.5%

Display Size (Diagonal)

40.6 cm (16.0")

Aspect Ratio

16:10

Screen to Body Ratio

Up to 90.60%

Max Hinge Open Angle

177±3°

8. HP Sure View integrated privacy screen is an optional feature that must be configured at purchase and is designed to function in landscape orientation.



DOCKING (SOLD SEPARATELY)

Docking station model name

HP Thunderbolt™ 100W G6 Dock

Total number of supported displays (incl. the notebook display)

4

Max. resolutions supported

(4) 4K @ 60Hz*

(2) 4K @ 120Hz*

(3) QHD @ 120Hz*

(1) QHD @ 360Hz*

Dock Connectors

1 x HDMI 2.1, 2 x DisplayPort 1.4, 1 x Thunderbolt 4

Technical limitations

*Requires DisplayPort 1.4 support with Display Stream Compression (DSC).

Bluetooth required for HP Quick Connect. HP Quick Connect available on select HP notebooks.

Maximum resolution and display support is dependent on the maximum capability of the notebook.

Thunderbolt Hosts:

Maximum of (4) displays with maximum resolution of 5K@ 30Hz running Thunderbolt host.

Maximum resolution possible is dual 8K displays @ 60Hz running Thunderbolt host or running a non-Thunderbolt host in high resolution mode @30Hz

Non-Thunderbolt hosts:

The highest resolution for dual displays running a non-Thunderbolt host in multi-function mode is

(1) 5K dual cable (using both DP ports) +(1) 4K on USB-C DP port

Non-Thunderbolt hosts support (3) displays with a maximum resolution of (2) 5K single cable + (1) 4K UHD @ 60 Hz in high resolution mode. In multi-function mode the maximum resolution for (3) displays is (2) 5K single cable @ 30Hz + (1) 4K UHD @ 30Hz.



Docking station model name

HP USB-C™ 100W G6 Dock

Total number of supported displays (incl. the notebook display)

4

Max. resolutions supported

(1) 4K @120hz*

(2) 4K @120hz*

(3) 4K @60hz*

Dock Connectors

1 x HDMI 2.1, 2 x DisplayPort 1.4

Technical limitations

*Requires DisplayPort 1.4 support with Display Stream Compression (DSC).

Bluetooth required for HP Quick Connect. HP Quick Connect available on select HP notebooks.

Maximum resolution and display support is dependent on the maximum capability of the notebook.

Highest resolution with dual displays is two 8K@ 30Hz host in High Resolution mode.

Three maximum displays supported are two 5K@ 30 Hz on DP ports plus one 4K UHD@ 30 Hz on HDMI in Multi-function mode.

The highest resolution for a non-Thunderbolt host in Multi-function mode is a single 5K dual cable (using both DP ports) + (1) 4K on HDMI port.

Docking station model name

HP Thunderbolt™ 180W G6 Dock

Total number of supported displays (incl. the notebook display)

4

Max. resolutions supported

(4) 4K @60Hz*

(2) 4K @ 120Hz*



(3) QHD @ 120Hz*

(1) QHD @ 360Hz*

Dock Connectors

1 x HDMI 2.1, 2 x DisplayPort 1.4, 1 x Thunderbolt 4, 1 x USB-C 3.2 Gen 2 DisplayPort

Technical limitations

*Requires DisplayPort 1.4 support with Display Stream Compression (DSC).

Bluetooth required for HP Quick Connect. HP Quick Connect available on select HP notebooks.

Maximum resolution and display support is dependent on the maximum capability of the notebook.

Thunderbolt Hosts:

Maximum of (4) displays with maximum resolution of 5K@ 30Hz running Thunderbolt host.

Maximum resolution possible is dual 8K displays @ 60Hz running Thunderbolt host or running a non-Thunderbolt host in high resolution mode @30Hz

Non-Thunderbolt hosts:

The highest resolution for dual displays running a non-Thunderbolt host in multi-function mode is

(1) 5K dual cable (using both DP ports) +(1) 4K on USB-C DP port

Non-Thunderbolt hosts support (3) displays with a maximum resolution of (2) 5K single cable + (1) 4K UHD @ 60 Hz in high resolution mode. In multi-function mode the maximum resolution for (3) displays is (2) 5K single cable @ 30Hz + (1) 4K UHD @ 30Hz.

Docking station model name

HP Thunderbolt™ 280W G6 Dock

Total number of supported displays (incl. the notebook display)

4

Max. resolutions supported

(4) 4K @60Hz*

(2) 4K @ 120Hz*

(3) QHD @ 120Hz*

(1) QHD @ 360Hz*



Dock Connectors

1 x HDMI 2.1, 2 x DisplayPort 1.4, 1 x Thunderbolt 4, 1 x USB-C 3.2 Gen 2 DisplayPort

Technical limitations

*Requires DisplayPort 1.4 support with Display Stream Compression (DSC).

Bluetooth required for HP Quick Connect. HP Quick Connect available on select HP notebooks.

Maximum resolution and display support is dependent on the maximum capability of the notebook.

Thunderbolt Hosts:

Maximum of (4) displays with maximum resolution of 5K@ 30Hz running Thunderbolt host.

Maximum resolution possible is dual 8K displays @ 60Hz running Thunderbolt host or running a non-Thunderbolt host in high resolution mode @30Hz

Non-Thunderbolt hosts:

The highest resolution for dual displays running a non-Thunderbolt host in multi-function mode is

(1) 5K dual cable (using both DP ports) +(1) 4K on USB-C DP port

Non-Thunderbolt hosts support (3) displays with a maximum resolution of (2) 5K single cable + (1) 4K UHD @ 60 Hz in high resolution mode. In multi-function mode the maximum resolution for (3) displays is (2) 5K single cable @ 30Hz + (1) 4K UHD @ 30Hz.



STORAGE AND DRIVES

Storage

2 TB PCIe® Gen5 NVMe™ SSD Value ⁹

1TB PCIe 2280 NVMe Value SSD ⁹

1 TB PCIe®-5x4 NVMe™ Self Encrypted OPAL2 SSD ⁹

1 TB PCIe® Gen5 NVMe™ SSD Value ⁹

512 GB PCIe® Gen5 NVMe™ Self Encrypted OPAL2 SSD Value ⁹

512 GB PCIe® Gen5 NVMe™ SSD Value ⁹

512 GB PCIe® NVMe™ SSD Value ⁹

256 GB PCIe® NVMe™ Self Encrypted OPAL2 SSD Value ⁹

256 GB PCIe® NVMe™ SSD Value ⁹

⁹. For storage drives, GB = 1 billion bytes. TB = 1 trillion bytes. Actual formatted capacity is less. Up to 32 GB is reserved for system recovery software.



MEMORY

Maximum Memory

64GB DDR5 5600 MT/s (2 x 32 GB)

Memory¹⁰

64GB DDR5-5600 MT/s (2 x 32 GB)

48GB DDR5-5600 MT/s (2 x 24 GB)

32GB DDR5-5600 MT/s (1 x 32 GB)

32GB DDR5-5600 MT/s (2 x 16 GB)

24GB DDR5-5600 MT/s (1 x 24 GB)

24GB DDR5-5600 MT/s (2 x 12 GB)

16GB DDR5-5600 MT/s (1 x 16 GB)

16GB DDR5-5600 MT/s (2 x 8 GB)

12GB DDR5-5600 MT/s (1 x 12 GB)

Memory Slots

2 SODIMM

System runs at 5600 MT/s

Supports Dual Channel Memory (optional).

Memory is replaceable by customer or customer IT support.

10. Due to the non-industry standard nature of some third-party memory modules, we recommend HP branded memory to ensure compatibility. If you mix memory speeds, the system will perform at the lower memory speed.



NETWORKING /COMMUNICATIONS

Items below may be optional.

Ethernet

Intel® I219-LM 1GbE Vpro Ethernet Controller

Intel® I219-V 1GbE Ethernet Controller

WLAN

Intel® AX211 Wi-Fi 6E Bluetooth® 5.3 WW WLAN ^{13,14}

Intel® BE211 Wi-Fi 7 Bluetooth® 6.0 non-vPro® WW WLAN ¹²

Intel® BE211 Wi-Fi 7 Bluetooth® 6.0 vPro® WW WLAN ¹²

WWAN

HP 5G NR Sub-6 CAT19 ¹⁵

HP 5G NR Sub-6 CAT19 HP Go Solution ¹⁵

LPWAN

HP RW220-GL LTE (Low Power) (CAT-1bis) ¹¹

NFC

NFC Mirage WNC XRAV-1

Miracast

Native Miracast Support ¹⁶

11. LPWAN (also called Mobile Narrowband) supports HP Protect & Trace with Wolf Connect service through the subscription term, but does not support mobile broadband use.

12. Wireless access point and Internet service required and sold separately. Availability of public wireless access points limited. Wi-Fi 7 (802.11BE) functionality requires compatible Windows OS, select processor, and a Wi-Fi 7 router, sold separately. Wi-Fi 7 is backwards compatible with prior 802.11 specs. Available in countries where Wi-Fi 7 is supported. The specification for 802.11BE is a draft specification and is not final. If the final specification differs from the draft specification, it may affect the ability of the device to communicate with other 802.11BE devices.

13. Wi-Fi 6E requires a Wi-Fi 6E router, sold separately, to function in the 6GHz band. Availability of public wireless access points



limited. Wi-Fi 6E is backwards compatible with prior 802.11 specs. Available in countries where Wi-Fi 6E is supported.

14. Wi-Fi 6E is designed to support gigabit data rate when transferring files between two devices connected to the same router.

Requires a wireless router, sold separately, that supports 80MHz and higher channels.

15. 5G module is optional. WWAN-ready configuration must be selected at purchase to add WWAN at a later date. Module designed for 5G NR NSA (non-standalone) networks as carriers deploy Evolved-Universal Terrestrial Radio Access New Radio Dual Connectivity (ENDC) with both 100Mhz of 5G NR and LTE channel bandwidth, using 256QAM 4x4 as defined by 3GPP. Module requires activation and separately purchased service contract. Check with service provider for coverage and availability in your area. Data connection, upload and download speeds will vary due to network, location, environment, network conditions, and other factors. Backwards compatible to 4G LTE and 3G HSPA technologies. 5G module planned to be available in select platforms and select countries, where carrier supported.

16. Miracast is a wireless technology your PC can use to project your screen to TVs, projectors, and streaming.



AUDIO/MULTIMEDIA

Privacy panel is only available on select models.

Audio

Audio by Poly Studio

2 Integrated stereo speakers

2 Integrated dual array microphone

Enhanced by AI noise reduction.

Speaker Power

2W / 4 ohm per speaker

Camera

FHD HDR camera

5MP HDR camera with Image Signal Processing (ISP) and AI Presence Detection, IR camera

Sensors

Fingerprint Sensor (optional)

Hall Effect Sensor

HP Sure Platform

HP Tamper Lock

Thermal Sensor



KEYBOARDS/POINTING DEVICES/BUTTONS & FUNCTION KEYS

Keyboard

HP Standard Keyboard with numeric keypad, spill-resistant, Backlit, Durakey keyboard

HP Standard Keyboard with numeric keypad, spill-resistant, Durakey keyboard

Pointing Device

Clickpad

Microsoft Precision Touchpad Default Gestures Support

Multi-touch gesture support

Function Keys

ESC - System information

F1 - Display Switching

F2 - Blank or SureView On/Off

F3 - Brightness Down

F4 - Brightness Up

F5 - Blank or Backlit Toggle

F6 - Audio Mute

F7 - Volume Down

F8 - Volume Up

F9 - Mic Mute

F10 - Media

F11 - Programmable Key (HP app)

F12 - Print Screen

Power Button (with LED)

Insert

Delete

Home

End

Calculator



Hidden Function Keys

Fn+R - Break

Fn+S - Sys Rq

Fn+C - Scroll Lock

Fn+E - Insert

Fn+W - Pause

Fn+Copilot - Context Menu ¹⁷

17. Copilot+ in Windows requires Windows 11. Some features require an NPU. Timing of feature delivery and availability varies by market and device. Requires Microsoft account to log in. Where Microsoft in Windows is not available, the Copilot key will lead to the Bing search engine. See aka.ms/copilotpluspcs.



SOFTWARE AND SECURITY

Application Software

Buy Microsoft Office (Sold Separately) ¹⁸

Edge Customization

HP Connection Optimizer

HP Hotkey Support

HP IQ ¹⁹

HP Mac Address Manager

HP Notifications

HP PC Hardware Diagnostics UEFI

HP PC Hardware Diagnostics Windows

HP Privacy Settings

HP Services Scan ²⁰

HP Support Assistant ²¹

HSA Fusion for Commercial

HSA Telemetry for Commercial

HP app ²²

Poly Studio Desktop ²³

Manageability Features

HP Client Catalog (download) ²⁴

HP Client Management Script Library (download) ²⁵

HP Cloud Recovery ²⁶

HP Connect for Microsoft Endpoint Manager ²⁷

HP Driver Packs (download) ²⁸

HP Image Assistant (download) ²⁹

HP Manageability Integration Kit (download) ³⁰

HP Patch Assistant (download) ³¹

HP Power Manager with Battery Health Manager (download) ³²

Security Features

HP Sure Admin ³³



HP Sure Click ³⁴

HP Sure Recover ³⁵

HP Sure Run ³⁶

HP Sure Sense ³⁷

HP Sure Start ³⁸

HP Tamper Lock ³⁹

HP Wolf Security for Business which includes: ⁴⁰

Secured-Core PC Enable ⁴¹

Windows Hello Enhanced Sign-In Security (ESS)

Security- TPM

Model

Model: Nuvoton NPCT760HAEYX

Firmware Version

Firmware Version: 7.2.4.1

TCG

TCG TPM 2.0

FIPS 140-3 Compliant

FIPS 140-3 Compliant: Yes

Model

Model: ST33KTPM2X32DKG9

Firmware Version

Firmware Version: 9.257

TCG

TCG TPM 2.0



FIPS 140-3 Compliant

FIPS 140-3 Compliant: Yes

BIOS

Absolute Persistence Module ⁴²

HP BIOS Recovery

BIOS Update via Network

HP BIOSphere ⁴³

HP DriveLock & Automatic DriveLock

HP Secure Erase ⁴⁴

TPM

Smartcard Reader

Model number

Alcorlink AK9569A81-VAF-GR (QFN)

FIPS 201-3 Compliant

FIPS 201 Compliant: Yes

IPv6 Support

Yes

FirstNet Certified

Yes

Does the BIOS implement the ISO/IEC 19678:2015 (formerly NIST 800-147) guidelines?

Yes

UEFI version

2.9



Class

3

18. Microsoft 365 sold separately and requires Internet access for activation.

19. HP IQ delivery app is preloaded on select HP PCs; it will be automatically updated to the future featured HP IQ application if you have auto updates enabled in Windows or will be available for download from the Microsoft Store. The future featured HP IQ app uses artificial intelligence. Features vary by configuration. For complete details see https://support.hp.com/us-en/document/ish_13696672-13696717-16

20. HP Services Scan automatically collects the telemetry necessary upon initial boot of the product to deliver device-level configuration data and health insights and is available preinstalled on select products, thru HP Factory Configuration Services; or it can be downloaded. For more information about how to enable HP Smart Support or for download, please visit <http://www.hp.com/smart-support>.

21. HP Support Assistant is available on Windows. For more information, please visit <http://www.support.hp.com/help/hp-support-assistant>

22. HP app requires Windows 10 or higher OS

23. Poly Lens Desktop requires a Windows OS.

24. HP Client Catalog not preinstalled, however available for download at (<https://www.hp.com/us-en/solutions/client-management-solutions.html>).

25. HP Client Management Script Library (<https://www.hp.com/us-en/solutions/client-management-solutions.html#tab=manageability-tools>).

26. HP Cloud Recovery is available for Z by HP, HP Elite and Pro desktops and laptops PCs with Intel® or AMD processors and requires an open, network connection. Note: You must back up important files, data, photos, videos, etc. before use to avoid loss of data. Detail, please refer to: <https://support.hp.com/us-en/document/c05115630>.

27. HP Connect for Microsoft Endpoint Manager is available from the Azure Market Place for HP Pro, Elite, Z and Point-of-Sale PCs managed with Microsoft Endpoint Manager. Subscription to Microsoft Endpoint Manager required and sold separately. Network connection required.

28. HP Driver Packs not preinstalled, however available for download at <http://www.hp.com/go/clientmanagement>.

29. HP Image Assistant not preinstalled, however available for download at (<https://ftp.ext.hp.com/pub/caps-softpaq/cmit/HPIA.html>)

30. HP Manageability Integration Kit can be downloaded from <http://www.hp.com/go/clientmanagement>.

31. HP Patch Assistant available on select HP PCs with the HP Manageability Kit that are managed through Microsoft System Center Configuration Manager. HP Manageability Integration Kit can be downloaded from <http://www8.hp.com/us/en/ads/clientmanagement/overview.html>.

32. HP Power Manager with Battery Health can be downloaded by entering your system information here: <https://support.hp.com/in->



[en/document/ish_4449597-3519507-16.](#)

33. HP Sure Admin requires HP G8 or newer platforms, Windows 10 or higher, HP BIOS, HP Manageability Kit or KMS Service from <http://www.hp.com/go/clientmanagement> , and HP Sure Admin Local Access Authenticator
34. HP Sure Click requires Windows 10 Pro or higher or Enterprise. See https://bit.ly/2PrLT6A_SureClick for complete details.
35. HP Sure Recover is available on select HP PCs and requires Windows 10 or 11 and an open network connection. You must back up important files, data, photos, videos, etc. before using HP Sure Recover to avoid loss of data. HP Sure Recover Gen6 with Embedded Reimaging is an optional feature on select HP PCs which requires Windows 10 or 11 must be configured at purchase. You must back up important files, data, photos, videos, etc. before use to avoid loss of data.
36. HP Sure Run is available on select HP PCs and requires Windows 10 and higher.
37. HP Sure Sense is available on select HP PCs with Windows 10 Pro, Windows 10 Enterprise, Windows 11 Pro, or Windows 11 Enterprise OS.
38. HP Sure Start is available on select HP PCs and requires Windows 10 and higher
39. HP Tamper Lock can be Enabled/disabled by customers or IT administrator with administrator authority.
40. HP Wolf Security for Business requires Windows 10 or 11 (Pro or Home) or higher, includes various HP security features and is available on HP X, Ultra, Pro, Elite, Engage and Workstation products. See product details for included security features.
41. Secured-Core PC Enable requires an Intel® vPro®, AMD Ryzen™ Pro processor or Qualcomm® processor with SD850 or higher and requires 8 GB or more system memory. Secured-core PC is enabled from the factory.
42. Absolute Persistence firmware module is shipped turned off and can only be activated with the purchase a license subscription and full activation of the software agent. License subscriptions can be purchased for terms ranging multiple years. Service is limited, check with Absolute for availability outside the U.S. Certain conditions apply. For full details visit: <https://www.absolute.com/about/legal/agreements/absolute/>.
43. HP BIOSphere features may vary depending on the platform and configuration.
44. HP Secure Erase implements the methods outlined in the National Institute of Standards and Technology Special.



POWER

Power supply availability may vary by country.

Battery is internal and replaceable by customer. Serviceable by warranty.

Power Supply

100W Wall Mount USB Type-C® GaN Halogen Free AC power adapter

65W Wall Mount USB Type-C® GaN Halogen Free AC power adapter

65W Standard USB Type-C® GaN AC power adapter

Battery

HP Long Life 3 cell, 68Wh Polymer

HP Long Life 3 cell, 56Wh Polymer

Compliant with UL 1642/2054 Standard

Battery Recharge Time

Supports battery HP Fast Charge: approximately 50% in 30 minutes ⁴⁵

Power Cord

3-wired plug- 1.0m for standard type adapter

Battery life

MM30: Up to 17 hours 15 minutes with 68Whr battery (Intel Core Ultra 7 355, UMA graphic, brightness set to 250nits on a 16-inch WUXGA 400nits LP LCD display, 2x8GB DDR5 memory, 256GB SSD) ⁴⁶

Teams 3x3: Up to 10 hours 30 minutes with 68Whr battery (Intel Core Ultra 7 355, UMA graphic, brightness set to 150nits on a 16-inch WUXGA 400nits LP LCD display, 2x8GB DDR5 memory, 256GB SSD) ⁴⁷

Web Browsing: Up to 16 hours 15 minutes with 68Whr battery (Intel Core Ultra 7 356H, UMA graphic, brightness set to 150nits on a 16-inch WUXGA 400nits LP LCD display, 2x8GB DDR5 memory, 256GB SSD) ⁴⁸

45. Recharges your battery up to 50% within 30 minutes when the system is off or in standby mode. Power adapter minimum of 65 watts required for battery capacities 56Whr or less. Power adapter minimum of 100 watts required for battery capacities greater than 56Whr and less than 83Whr. Power adapter minimum of 120 watts required for battery capacities greater than 83Whr and less than 100Whr. After charging has reached 50% capacity, charging will return to normal. Charging time may vary +/-10% due to System tolerance.



46. Test configuration: MobileMark 30 battery life will vary depending on various factors including product model, configuration, loaded applications, features, use, wireless functionality, and power management settings. The maximum capacity of the battery will naturally decrease with time and usage. See <http://www.bapco.com> for additional details.
47. Test configuration: HP factory image, balanced power mode with Windows Studio Effects on. Teams 3x3 conferencing battery life will vary depending on various factors including product model, configuration, loaded applications, features, use, wireless functionality, and power management settings. The maximum capacity of the battery will naturally decrease with time and usage.
48. Test configuration: HP factory image. Microsoft web browsing battery life will vary depending on various factors including product model, configuration, loaded applications, features, use, wireless functionality, and power management settings. The maximum capacity of the battery will naturally decrease with time and usage (CER Test Methodology).
-



WEIGHT & DIMENSIONS

Weight will vary by configuration. Does not include power adapter.

Front height measurement is near the front edge where the mechanical chassis taper begins. Back height measurement is near the rear edge where the mechanical chassis taper ends.

Product Weight

Starting at 1.735 kg (3.83 lb) with 56.00 Wh battery

Product Dimensions (w x d x h) ⁴⁹

Width: 359.40 mm (14.15 in)

Depth: 251.00 mm (9.88 in)

Height Front: 11.00 mm (0.43 in) - 11.50 mm (0.45 in)

Height Rear: 17.00 mm (0.67 in) - 17.50 mm (0.69 in)

Maximum height:

19.90 mm (0.78 in) - 20.40 mm (0.80 in) for plastic

20.90 mm (0.82 in) - 21.40 mm (0.84 in) for metal

Pallet Dimensions (w x d x h)

Product packaging size varies based on options chosen. Please contact your HP representative for your packaging size details. For detailed packaging information, access the [HP Commercial Notebooks Packaging Guide](#).

49. Typical dimension. Actual dimension may vary +/- 0.5mm. Height may vary based on configuration. Maximum Height does not include Rubber feet.



PORTS/SLOTS

Left side

- 1 x USB Type-A 5Gbps signaling rate (Powered)
- 2 x Thunderbolt™ 4 with USB Type-C® 40Gbps signaling rate (USB Power Delivery, DisplayPort™ 2.1) ⁵⁰
- 1 x HDMI 2.1
(Resolution up to 4K/60Hz, bandwidth 6Gbps TMDS mode)
- 1 x headphone/mic combo jack
- 1 x Smart Card Reader (optional)

Right side

- 1 x USB Type-A 5Gbps signaling rate (Powered)
- 1 x RJ45 Ethernet port
- 1 x Nano SIM card slot (optional)
- 1 x Nano Security slot

⁵⁰. USB 20Gbps signaling rate is not available with Thunderbolt™ 4. Actual throughput may vary.



ENVIRONMENTAL DATA

Environmental Data	Eco-Label Certifications & Declarations	<p>This product has received or is in the process of being certified to the following approvals and may be labeled with one or more of these marks:</p> <ul style="list-style-type: none"> • IT ECO declaration • US ENERGY STAR® • US Federal Energy Management Program (FEMP) • EPEAT® Gold registered in the United States. See http://www.epeat.net for registration status in your country. • TCO Certified • China Energy Conservation Program (CECP) • China State Environmental Protection Administration (SEPA) • Taiwan Green Mark • Korea Eco-label • Japan PC Green label* 																						
	Sustainable Impact Specifications	<ul style="list-style-type: none"> • Product Carbon Footprint • At least 30% ocean bound plastic in the Speaker enclosure¹ • At least 30% post-consumer recycled plastic² • At least 30% recycled metal³ • External Power Supply 90% Efficiency • Low Halogen⁴ • 100% of HP paper-based packaging is from recycled or certified sustainable sources⁵ • Bulk packaging available 																						
	System Configuration Energy Consumption (in accordance with US ENERGY STAR® test method)	<p>The configuration used for the Energy Consumption and Declared Noise Emissions data for the Notebook model is based on a “Typically Configured Notebook”.</p> <table border="1" data-bbox="634 1451 1572 1772"> <thead> <tr> <th></th> <th>115VAC, 60Hz</th> <th>230VAC, 50Hz</th> <th>100VAC, 50Hz</th> </tr> </thead> <tbody> <tr> <td>Normal Operation (Sort idle)</td> <td>5.76 W</td> <td>5.96 W</td> <td>5.71 W</td> </tr> <tr> <td>Normal Operation (Long idle)</td> <td>1.57 W</td> <td>1.68 W</td> <td>1.59 W</td> </tr> <tr> <td>Sleep</td> <td>1.57 W</td> <td>1.68 W</td> <td>1.59 W</td> </tr> <tr> <td>Off</td> <td>0.36 W</td> <td>0.39 W</td> <td>0.20 W</td> </tr> </tbody> </table> <p>Note:</p>				115VAC, 60Hz	230VAC, 50Hz	100VAC, 50Hz	Normal Operation (Sort idle)	5.76 W	5.96 W	5.71 W	Normal Operation (Long idle)	1.57 W	1.68 W	1.59 W	Sleep	1.57 W	1.68 W	1.59 W	Off	0.36 W	0.39 W	0.20 W
	115VAC, 60Hz	230VAC, 50Hz	100VAC, 50Hz																					
Normal Operation (Sort idle)	5.76 W	5.96 W	5.71 W																					
Normal Operation (Long idle)	1.57 W	1.68 W	1.59 W																					
Sleep	1.57 W	1.68 W	1.59 W																					
Off	0.36 W	0.39 W	0.20 W																					



	<p>Energy efficiency data listed is for an ENERGY STAR® compliant product if offered within the model family. HP computers marked with the ENERGY STAR® Logo are compliant with the applicable U.S. Environmental Protection Agency (EPA) ENERGY STAR® specifications for computers. If a model family does not offer ENERGY STAR® compliant configurations, then energy efficiency data listed is for a typically configured PC featuring a hard disk drive, a high efficiency power supply, and a Microsoft Windows® operating system.</p>		
Heat Dissipation*	115VAC, 60Hz	230VAC, 50Hz	100VAC, 50Hz
Normal Operation (Short idle)	20 BTU/hr	20 BTU/hr	20 BTU/hr
Normal Operation (Long idle)	5 BTU/hr	6 BTU/hr	5 BTU/hr
Sleep	5 BTU/hr	6 BTU/hr	5 BTU/hr
Off	1 BTU/hr	1 BTU/hr	1 BTU/hr
	<p>*NOTE: Heat dissipation is calculated based on the measured watts, assuming the service level is attained for one hour.</p>		
Declared Noise Emissions (in accordance with ISO 7779 and ISO 9296)	Sound Power (L_{WA}, bels)	Sound Pressure (L_{pA}, decibels)	
Typically Configured - Idle	2.6	14	
Fixed Disk - Random writes	2.7	17	
Active mode - Sequential reads	3.1	28	
Longevity and Upgrading	<p>This product can be upgraded, possibly extending its useful life by several years. Upgradeable features and/or components contained in the</p> <p>Spare parts are available throughout the warranty period and or for up to "5" years after the end of production.</p>		



	Additional Information	<ul style="list-style-type: none"> This product is in compliance with the Restrictions of Hazardous Substances (RoHS) directive - 2011/65/EC. This HP product is designed to comply with the Waste Electrical and Electronic Equipment (WEEE) Directive - 2002/96/EC. This product is in compliance with California Proposition 65 (State of California; Safe Drinking Water and Toxic Enforcement Act of 1986). This product is in compliance with the IEEE 1680 (EPEAT) standard at the Gold level, see www.epeat.net Plastics parts weighing over 25 grams used in the product are marked per ISO11469 and ISO1043. This product is 94.8% recycle-able when properly disposed of at end of life. 							
	Packaging Materials	External:	<table border="1"> <tr> <td>PAPER/Corrugated</td> <td>280 g</td> </tr> <tr> <td>PAPER/Molded Pulp</td> <td>207 g</td> </tr> <tr> <td>OTHER/other</td> <td>27.20 g</td> </tr> </table> <p>The plastic packaging material contains at least 61% recycled content.</p> <p>The corrugated paper packaging materials contains at least 61% recycled content.</p>	PAPER/Corrugated	280 g	PAPER/Molded Pulp	207 g	OTHER/other	27.20 g
PAPER/Corrugated	280 g								
PAPER/Molded Pulp	207 g								
OTHER/other	27.20 g								
	RoHS Compliance	<p>HP Inc. complies fully with materials regulations. We were among the first companies to extend the restrictions in the European Union (EU) Restriction of Hazardous Substances (RoHS) Directive to our products worldwide through the HP GSE. HP has contributed to the development of related legislation in Europe, as well as China, India, and Vietnam.</p> <p>We believe the RoHS directive and similar laws play an important role in promoting industry-wide elimination of substances of concern. We have supported the inclusion of additional substances—including PVC, BFRs, and certain phthalates—in future RoHS legislation that pertains to electrical and electronics products.</p> <p>We met our voluntary objective to achieve worldwide compliance with the new EU RoHS requirements for virtually all relevant products by July 2013, and we will continue to extend the scope of the commitment to include further restricted substances as regulations continue to evolve.</p> <p>To obtain a copy of the HP RoHS Compliance Statement, see HP RoHS position statement.</p>							



	<p>Material Usage</p>	<p>This product does not contain any of the following substances in excess of regulatory limits (refer to the HP General Specification for the Environment at https://h20195.www2.hp.com/v2/GetDocument.aspx?docname=c05998906):</p> <ul style="list-style-type: none"> • Asbestos • Certain Azo Colorants • Certain Brominated Flame Retardants - may not be used as flame retardants in plastics • Cadmium • Chlorinated Hydrocarbons • Chlorinated Paraffins • Bis(2-Ethylhexyl) phthalate (DEHP) • Benzyl butyl phthalate (BBP) • Dibutyl phthalate (DBP) • Diisobutyl phthalate (DIBP) • Formaldehyde • Halogenated Diphenyl Methanes • Lead carbonates and sulfates • Lead and Lead compounds • Mercuric Oxide Batteries • Nickel - finishes must not be used on the external surface designed to be frequently handled or carried by the user. • Ozone Depleting Substances • Polybrominated Biphenyls (PBBs) • Polybrominated Biphenyl Ethers (PBBEs) • Polybrominated Biphenyl Oxides (PBBOs) • Polychlorinated Biphenyl (PCB) • Polychlorinated Terphenyls (PCT) • Polyvinyl Chloride (PVC) - except for wires and cables, and certain retail packaging has been voluntarily removed from most applications. • Radioactive Substances • Tributyl Tin (TBT), Triphenyl Tin (TPT), Tributyl Tin Oxide (TBTO)
--	------------------------------	--



	<p>Packaging Usage</p>	<p>HP follows these guidelines to decrease the environmental impact of product packaging:</p> <ul style="list-style-type: none"> • Eliminate the use of heavy metals such as lead, chromium, mercury and cadmium in packaging materials. • Eliminate the use of ozone-depleting substances (ODS) in packaging materials. • Design packaging materials for ease of disassembly. • Maximize the use of post-consumer recycled content materials in packaging materials. • Use readily recyclable packaging materials such as paper and corrugated materials. • Reduce size and weight of packages to improve transportation fuel efficiency. • Plastic packaging materials are marked according to ISO 11469 and DIN 6120 standards.
	<p>End-of-life Management and Recycling</p>	<p>HP offers end-of-life HP product return and recycling programs in many geographic areas. To recycle your product, please go to: https://h20195.www2.hp.com/V2/GetDocument.aspx?docname=c05403198 or contact your nearest HP sales office. Products returned to HP will be recycled, recovered or disposed of in a responsible manner.</p> <p>The EU WEEE directive (2002/95/EC) requires manufacturers to provide treatment information for each product type for use by treatment facilities. This information (product disassembly instructions) is posted on the Hewlett Packard web site at: HP Product Disassembly Instruction Website. These instructions may be used by recyclers and other WEEE treatment facilities as well as HP OEM customers who integrate and re-sell HP equipment.</p>

	<p>HP, Inc. Corporate Environmental Information</p>	<p>For more information about HP's commitment to the environment:</p> <ul style="list-style-type: none"> • Sustainable Impact Report <ul style="list-style-type: none"> ○ https://h20195.www2.hp.com/v2/GetDocument.aspx?docname=c06040843 • Eco-label certifications <ul style="list-style-type: none"> ○ https://www.hp.com/us-en/sustainable-impact/document-reports.html#filters_documents_reports=-document_type-type_energy_star,type_epeat,type_tcolSO • ISO 14001 certificates <ul style="list-style-type: none"> ○ https://h20195.www2.hp.com/v2/GetDocument.aspx?docname=c04777932
	<p>Footnotes</p>	<ol style="list-style-type: none"> 1. Percentage of ocean-bound plastic contained in each component varies by product. Ocean Bound plastic is expressed as a percentage of the total weight plastic. Ocean Bound plastic is based on the definition set by the UL2809 standard. 2. Recycled plastic is expressed as a percentage of the total weight plastic. Post-consumer recycled is based on the definition set in the EPEAT standard for computers, IEEE 1680.1-2018 standard. 3. Recycled metal is expressed as a percentage of the total weight of the metal according to ISO 14021 definitions for metal parts over 25 grams. 4. External power supplies, WWAN modules, power cords, cables and peripherals excluded. Service parts obtained after purchase may not be Low Halogen. 5. HP paper and fiber-based packaging for PCs, displays, home and office print, and supplies is reported by suppliers as recycled or certified, with a minimum of 97% by volume verified by HP. Packaging is the box that comes with the product and all paper-based materials inside the box. Packaging for personal systems accessories and spare parts is not included. Plastic cushions are made from >90% recycled plastic.



SERVICE AND SUPPORT

1-year warranty and 90 day software limited warranty options depending on country. HP Worldwide Limited Warranty for the battery is aligned with the warranty period of the HP Hardware Product. Refer to <http://www.hp.com/support/batterywarranty/> for additional battery information. On-site service and extended coverage is also available. HP Care Pack Services are optional extended service contracts that go beyond the standard limited warranties. To choose the right level of service for your HP product, use the HP Care Pack Services Lookup Tool at: <http://www.hp.com/go/cpc> ⁵¹

51. HP Care Packs are sold separately. Service levels and response times for HP Care Packs may vary depending on your geographic location. Service starts on date of hardware purchase. Restrictions and limitations apply. For details, visit <http://www.hp.com/go/cpc>. HP services are governed by the applicable HP terms and conditions of service provided or indicated to Customer at the time of purchase. Customer may have additional statutory rights according to applicable local laws, and such rights are not in any way affected by the HP terms and conditions of service or the HP Limited Warranty provided with your HP Product.



SYSTEM UNIT

Stand - Alone Power Requirements (AC Power)

Nominal Operating Voltage	20.0 V
Max Operating Power	UMA < 100 W

Temperature

Operating	0° to 35° C (32° to 95° F) No sustained direct exposure to sunlight, System performance may be reduced above 32°C (89.6°F)
Non - operating	-20° to 60° C (-4° to 140° F) No sustained direct exposure to sunlight, System performance may be reduced above 32°C (89.6°F)

Relative Humidity

Operating	10% to 90% (non-condensing)
Non - operating	5% to 95%, 38.7° C (101.6° F) maximum wet bulb temperature

Shock

Operating	40 G, 2 ms, half-sine
Non - operating	240 G, 2 ms, half-sine

Random Vibration

Operating	1.043 grms
Non - operating	3.500 grms

Altitude (unpressurized)

Operating	3,048 m (10,000 ft)
Non - operating	12,192 m (40,000 ft)

Industry Standard Certifications

Regulatory Model Number	HSN-Q38C-6
CSA/UL 62368-1	Yes
ENERGY STAR® 1	Yes
FCC/ICES/CISPR/VCCI	Yes
CE MARKING	Yes
GS Mark	Yes.
	Related commodity should comply with ISO 9241 Standards.
China CCC/SRRC/CEL	Yes
Taiwan BSMI/NCC	Yes
Korea KCC/KC/KES	Yes



Ukraine NSoC/TEC	Yes
EAEU Compliance	Yes
Saudi Arabian Compliance	Yes
TCO	Yes
EPEAT Gold ²	Yes
Low Blue Light	Yes
WW RoHS	Yes
CECP	No
	This is related to government bids, and the review is usually handled by HP China closer to the RTP.
	They will confirm whether the application is required at that time.
Medical EMC: IEC 60601-1-2:2014 EN60601-1-2: 2015	Yes
SEPA	No
	This is related to government bids, and the review is usually handled by HP China closer to the RTP.
	They will confirm whether the application is required at that time.
MIL - STD Testing ³	MIL-STD 810H

1. Configurations that are ENERGY STAR® qualified are identified as ENERGY STAR on HP websites and on <http://www.energystar.gov>

2. Based on US EPEAT® registration according to IEEE 1680.1-2018 EPEAT®. EPEAT® status varies by country. Visit <http://www.epeat.net> for more information.

3. MIL STD testing is not intended to demonstrate fitness for U.S. Department of Defense contract requirements or for military use. Test results are not a guarantee of future performance under these test conditions. Accidental damage requires an optional HP Accidental Damage Protection Care Pack.



DISPLAYS

Actual brightness will be lower with touchscreen or HP Sure View.

Availability may vary by country

16.0 inch diagonal, WUXGA (1920 x 1200), LBL IPS anti-glare, 800 nits, Sure View 6 sRGB 100% eDP1.5	Active Area	344.680 x 215.420 mm (typ)
	Dimensions (W x H)	349.980 x 224.820 mm (max)
	Weight	310 g (max)
	Diagonal Size	16.0 inch
	Surface Treatment	Anti-Glare
	Touch Enabled	No
	Contrast Ratio	1500:1(typ)
	Refresh Rate	60Hz
	Brightness	800 nits (typ)
	Pixel Resolution	RGB
	Pixel Resolution - Format	1920x1200 (WUXGA)
	Aspect Ratio	16:10
	Backlight	WLED
	Color Gamut Coverage	sRGB 100%
	Color Depth	8
	Viewing Angle	89/89/89/89
Low Blue Light	Yes	
Power Consumption	1.8W(max)	

16.0 inch diagonal, WUXGA (1920 x 1200), 60 Hz IPS anti-glare, 300 nits, sRGB 62.5% eDP 1.2 w/o PSR	Active Area	344.6784 x 215.424 (typ)
	Dimensions (W x H)	350.680 x 226.070 (max)
	Weight	390 g (max)
	Diagonal Size	16.0 inch
	Surface Treatment	Anti-Glare
	Touch Enabled	No
	Contrast Ratio	1000:1(typ)
	Refresh Rate	60Hz
	Brightness	300 nits (typ)
	Pixel Resolution	1920x1200



Pixel Resolution - Format	1920x1200 (WUXGA)
Aspect Ratio	16:10
Backlight	WLED
Color Gamut Coverage	sRGB 62.5%
Color Depth	8
Viewing Angle	89/89/89/89
Low Blue Light	No
Power Consumption	2.7 (max) / 3.4 (max)

**16.0 inch diagonal, WUXGA
(1920 x 1200), 60 Hz touch,
IPS anti-glare, 300 nits, sRGB
62.5% eDP 1.2 w/o PSR**

Active Area	344.680 x 215.420 (typ)
Dimensions (W x H)	350.680 x 226.070 (max)
Weight	400 g (max)
Diagonal Size	16.0 inch
Surface Treatment	Anti-Glare
Touch Enabled	Yes
Contrast Ratio	0:1 ~ 0:1(typ)
Refresh Rate	60Hz
Brightness	300 nits (typ)
Pixel Resolution	RGB
Pixel Resolution - Format	1920x1200 (WUXGA)
Aspect Ratio	16:10
Backlight	WLED
Color Gamut Coverage	sRGB 62.5%
Color Depth	8
Viewing Angle	89/89/89/89
Low Blue Light	No
Power Consumption	2.43 (max) / 3.03 (max)

**16.0 inch diagonal, 2.5K
(2560 x 1600), WLED+LBL IPS
anti-glare, 400 nits, AD-100**

Active Area	344.678 x 215.424 mm (typ)
Dimensions (W x H)	349.98 x 224.820 mm (max)
Weight	280g (max)
Diagonal Size	16.0 inch
Surface Treatment	Anti-Glare



Touch Enabled	No
Contrast Ratio	1000:1(typ)
Refresh Rate	120Hz
Brightness	400 nits (typ)
Pixel Resolution	RGB
Pixel Resolution - Format	2560x1600 (2.5K)
Aspect Ratio	16:10
Backlight	WLED
Color Gamut Coverage	AD-100 Not Applicable%
Color Depth	8
Viewing Angle	89/89/89/89
Low Blue Light	Yes
Power Consumption	3.5W (max)

**16.0 inch diagonal, WUXGA
(1920 x 1200), 60 Hz OLED
IPS anti-glare, 300 nits, DCI-
P3 95% eDP 1.2 w/o PSR**

Active Area	344.448 x 215.280 mm (typ)
Dimensions (W x H)	348.280 x 224.760 mm (max)
Weight	240 g (max)
Diagonal Size	16.0 inch
Surface Treatment	Anti-Glare
Touch Enabled	No
Contrast Ratio	1000:1 (typ)
Refresh Rate	60Hz
Brightness	300 nits (typ)
Pixel Resolution	RGB
Pixel Resolution - Format	1920x1200 (WUXGA)
Aspect Ratio	16:10
Backlight	OLED
Color Gamut Coverage	DCI-P3 95%
Color Depth	8
Viewing Angle	89/89/89/89
Low Blue Light	Yes
Power Consumption	150nits/OPR20%(MSFT CER Video): Total 1.5W 150nits/OPR20%(MSFT CER Browsing): Total 1.9W



16.0 inch diagonal, WUXGA (1920 x 1200), 60 Hz WLED+LBL IPS anti-glare, 400 nits, sRGB 100% eDP1.5	Active Area	344.678 x 215.424 mm (typ)
	Dimensions (W x H)	349.980 x 224.820 mm (max)
	Weight	380g (max)
	Diagonal Size	16.0 inch
	Surface Treatment	Anti-Glare
	Touch Enabled	No
	Contrast Ratio	1200:1(typ)
	Refresh Rate	60Hz
	Brightness	400 nits (typ)
	Pixel Resolution	RGB
	Pixel Resolution - Format	1920x1200 (WUXGA)
	Aspect Ratio	16:10
	Backlight	WLED
	Color Gamut Coverage	sRGB 100%
	Color Depth	8
	Viewing Angle	89/89/89/89
	Low Blue Light	Yes
	Power Consumption	2.4W(Max) / 2.9W (Max)



STORAGE

1TB PCIe 2280 NVMe Value SSD 9	Form Factor	M.2 2280
	Capacity	1 TB
	NAND Type	Value
	Weight	10g
	Interface	PCIe NVMe
	Sequential Read	3500 MB/s \pm 20%
	Sequential Write	2700 MB/s \pm 20%
	Logical Blocks	2000409264
	Features	Pyrite 2.0; TRIM; L1.2 Not all features are available in all versions

1 TB PCIe Gen5 NVMe™ Value 2280 Solid State Drive	Form Factor	M.2 2280
	Capacity	1 TB
	NAND Type	Value
	Weight	10g
	Interface	PCIe Gen5 NVMe
	Sequential Read	7000 MB/s \pm 20% (in PCIe 4x4 slot)
	Sequential Write	6600 MB/s \pm 20% (in PCIe 4x4 slot)
	Logical Blocks	2000409264
	Features	Pyrite 2.0; TRIM; L1.2 Not all features are available in all versions

1TB PCIe-5x4 2280 NVMe Self Encrypted OPAL2 Solid State Drive	Form Factor	M.2 2280
	Capacity	2 TB
	NAND Type	Performance
	Weight	10g
	Interface	PCIe Gen5 NVMe
	Sequential Read	7000MB/s \pm 20%
	Sequential Write	7000 MB/s \pm 20%
	Logical Blocks	2000409264
	Features	TCG Opal 2.0; TRIM; L1.2 Not all features are available in all versions



2 TB PCIe Gen5 NVMe™ Value 2280 Solid State Drive	Form Factor	M.2 2280
	Capacity	2 TB
	NAND Type	Value
	Weight	10g
	Interface	PCIe Gen5 NVMe
	Sequential Read	7000 MB/s ±20% (in PCIe Gen4x4 slot)
	Sequential Write	6800 MB/s ±20% (in PCIe Gen4x4 slot)
	Logical Blocks	4000797360
	Features	Pyrite 2.0; TRIM; L1.2

Not all features are available in all versions

256 GB PCIe® NVMe™ Value 2280 Self Encrypted OPAL2 Solid State Drive	Form Factor	M.2 2280
	Capacity	256 GB
	NAND Type	TLC
	Weight	0 ~ 10.0 g (0 ~ 0.02 lb)
	Interface	PCIe NVMe
	Sequential Read	3100 MB/s ±20%
	Sequential Write	1200 MB/s ±20%
	Logical Blocks	500118192
	Features	TCG Opal 2.0

Not all features are available in all versions

256 GB PCIe® NVMe™ Value 2280 Solid State Drive	Form Factor	M.2 2280
	Capacity	256 GB
	NAND Type	Value
	Weight	0.02 lb (10 g)
	Interface	PCIe NVMe Gen4X4
	Sequential Read	3100 MB/s ±20%
	Sequential Write	1200 MB/s ±20%
	Logical Blocks	500118192
	Features	Pyrite 2.0; TRIM; L1.2

Not all features are available in all versions.



512 GB PCIe Gen5 NVMe™ Value 2280 Self Encrypted OPAL2 Solid State Drive	Form Factor	M.2 2280
	Capacity	512 GB
	NAND Type	Value
	Weight	10g
	Interface	PCIe Gen5 NVMe
	Sequential Read	7000 MB/s ±20% (in PCIe 4x4 slot)
	Sequential Write	6000 MB/s ±20% (in PCIe 4x4 slot)
	Logical Blocks	1000215216
	Features	TCG Opal 2.0; TRIM; L1.2 Not all features are available in all versions

512 GB PCIe Gen5 NVMe™ Value 2280 Solid State Drive	Form Factor	M.2 2280
	Capacity	512 GB
	NAND Type	Value
	Weight	10g
	Interface	PCIe Gen5 NVMe
	Sequential Read	7000 MB/s ±20% (in PCIe 4x4 slot)
	Sequential Write	6000 MB/s ±20% (in PCIe 4x4 slot)
	Logical Blocks	1000215216
	Features	Pyrite 2.0; TRIM; L1.2 Not all features are available in all versions

512 GB PCIe® NVMe™ Value 2280 Solid State Drive	Form Factor	M.2 2280
	Capacity	512 GB
	NAND Type	Value
	Weight	0.02 lb (10 g)
	Interface	PCIe NVMe Gen4X4
	Sequential Read	3500 MB/s ±20%
	Sequential Write	1600 MB/s ±20%
	Logical Blocks	1000215215
	Features	Pyrite 2.0; TRIM; L1.2 Not all features are available in all versions.



NETWORKING / COMMUNICATION

Intel® AX211 Wi-Fi 6E

Wireless LAN Standards

IEEE 802.11a

Bluetooth® 5.3 WW WLAN

IEEE 802.11ac

IEEE 802.11ax

IEEE 802.11b

IEEE 802.11d

IEEE 802.11e

IEEE 802.11g

IEEE 802.11h

IEEE 802.11i

IEEE 802.11k

IEEE 802.11n

IEEE 802.11r

IEEE 802.11v

Interoperability

Wi-Fi certified

Frequency Band

802.11b/g/n/ax

2.402 - 2.482 GHz

802.11a/n/ac/ax

4.9 - 4.95 GHz (Japan)

5.15 - 5.25 GHz

5.25 - 5.35 GHz

5.47 - 5.725 GHz

5.825 - 5.850 GHz

5.955 - 6.415 GHz

6.435 - 6.515 GHz

6.535 - 6.875 GHz

6.895 - 7.115 GHz

Data Rates

802.11b: 1, 2, 5.5, 11 Mbps

802.11g: 6, 9, 12, 18, 24, 36, 48, 54 Mbps

802.11a: 6, 9, 12, 18, 24, 36, 48, 54 Mbps

802.11n: max 300Mbps

802.11ac: 1733Mbps



Modulation	802.11ax : max 2.4Gbps Direct Sequence Spread Spectrum 1024-QAM, 16-QAM, 256-QAM, 64-QAM, BPSK, CCK, OFDM, QPSK
Security	WPA3 personal and enterprise including WPA2 transition mode. 802.1X EAP-TLS, EAP-TTLS/MSCHAPv2, PEAPv0 -MSCHAPv2 (EAP-SIM, EAP-AKA, EAP-AKA') 128-bit AES-CCMP, 256-bit AES-GCMP
Network Architecture	Ad-hoc (Peer to Peer)
Models	Infrastructure (Access Point Required)
Roaming	IEEE 802.11 compliant roaming between access points
Output Power	802.11b : +17dBm minimum 802.11g : +16dBm minimum 802.11a : +17dBm minimum 802.11n HT20(2.4GHz) : +14dBm minimum 802.11n HT40(2.4GHz) : +13dBm minimum 802.11n HT20(5GHz) : +14dBm minimum 802.11n HT40(5GHz) : +13dBm minimum 802.11ac VHT80(5GHz) : +10dBm minimum 802.11ac VHT160(5GHz) : +10dBm minimum 802.11ax HE40(2.4GHz) : +12dBm minimum 802.11ax HE80(5GHz) : +10dBm minimum 802.11ax HE160(5GHz) : +10dBm minimum
Power Consumption	Transmit mode : 2.0 W Receive mode : 1.6 W Idle mode (PSP) : 180 mW (WLAN Associated) Idle mode: 50 mW (WLAN unassociated) Connected Standby/Modern Standby : 10 mW Radio disabled : 8 mW
Power Management	ACPI and PCI Express® compliant power management 802.11 compliant power saving mode
Receiver Sensitivity	802.11b, 1Mbps : -93.5dBm maximum 802.11b, 11Mbps : -84dBm maximum



	802.11a/g, 6Mbps : -86dBm maximum
	802.11a/g, 54Mbps : -72dBm maximum
	802.11n, MCS07 : -67dBm maximum
	802.11n, MCS15 : -64dBm maximum
	802.11ac, MCS0(VHT80) : -84dBm maximum
	802.11ac, MCS9(VHT80) : -59dBm maximum
	802.11ac, MCS9(VHT160) : -58.5dBm maximum
	802.11ax, MCS11(HE40) : -57dBm maximum
	802.11ax, MCS11(HE80) : -54dBm maximum
	802.11ax, MCS11(HE160) : -53.5dBm maximum
Antenna Type	High efficiency antenna with spatial diversity Two embedded tri-band 2.4/5/6 GHz antennas are provided to the card to support WLAN MIMO communications and Bluetooth communications
Form Factor	PCI Express® M.2 MiniCard
Dimensions	2.30 x 22.00 x 30.00 mm (0.09 x 0.87 x 1.18 inch)
Weight	Type 2230: 2.8 g (0.099 oz)
Operating Voltage	3.3 v +/- 9 %
	Integrated Bluetooth® specifications
Bluetooth® Specification	4.0/4.1/4.2/5.0/5.1/5.2/5.3 Compliant
Frequency Band	2402 to 2480 MHz
Number of Available Channels	Legacy : 0~79 (1 MHz/CH) BLE : 0~39 (2 MHz/CH)
Data Rates and Throughput	Legacy : 3 Mbps data rate; throughput up to 2.17 Mbps Bluetooth® Low Energy : 1 Mbps data rate; throughput up to 0.2 Mbps Legacy : Synchronous Connection Oriented links up to 3, 64 kbps, voice channels Legacy : Asynchronous Connection Less links 2178.1 kbps/177.1 kbps asymmetric (3-DH5) or 864 kbps symmetric (3-EV5)
Transmit Power	The Bluetooth component shall operate as a Class II Bluetooth device with a maximum transmit power of + 9.5 dBm for BR and

Power Consumption	EDR. Peak (Tx): 330 mW Peak (Rx): 230 mW Selective Suspend: 17 mW
Bluetooth® Software	Microsoft Windows Bluetooth® Software
Supported Link Topology	
Power Management	ACPI and PCI Express compliant power management 802.11 compliant power saving mode
Certifications	FCC (47 CFR) Part 15C/E, Section 15.247, 15.249, 15.407 ETSI 300 328, ETSI 301 893, ETSI 303 687
Bluetooth® Profiles Supported	Advanced Audio Distribution Profile (A2DP) Basic Imaging Profile (BIP) Bluetooth® 4.1 -ESR 5/6/7 Compliance Bluetooth® 4.2 ESR08 Compliance Bluetooth® 5.2 Bluetooth® 5.3 Channel Selection Algo Compliance to the latest Errata Section 12.3 of Bluetooth® 5.3 specification Encryption key size control enhancements ESR 9/10 Compliance FAX Profile (FAX) Hands Free Profile (HFP) Headset Profile (HSP) Host to Controller Encryption Key Control Enhancements LE 2Mbps LE Advertisement Extensions LE Data Packet Length Extension LE Dual Mode LE L2CAP Connection Oriented Channels LE Link Layer LE Link Layer Ping LE Long Range



		LE Low Duty Cycle Directed Advertising
		LE Privacy 1.2 -Extended Scanner Filter Policies
		LE Privacy 1.2 -Link Layer Privacy
		LE Secure Connection- Basic/Full
		Limited High Duty Cycle Non-Connectable Advertising
		Periodic Advertisement interval
		Train Nudging & Interlaced Scan
		Windows Bluetooth® profiles support
Intel® BE211 Wi-Fi 7	Wireless LAN Standards	IEEE 802.11a
Bluetooth® 6.0 non-vPro WW		IEEE 802.11b
WLAN		IEEE 802.11g
		IEEE 802.11n
		IEEE 802.11ac
		IEEE 802.11ax
		IEEE 802.11be
		IEEE 802.11d
		IEEE 802.11e
		IEEE 802.11h
		IEEE 802.11i
		IEEE 802.11k
		IEEE 802.11r
		IEEE 802.11v
	Interoperability	Wi-Fi certified
	Frequency Band	802.11b/g/n/ax/be
		2.402 - 2.482 GHz
		802.11a/n/ac/ax/be
		5.15 - 5.25 GHz
		5.25 - 5.35 GHz
		5.47 - 5.725 GHz
		5.825 - 5.850 GHz
		5.955 - 6.415 GHz
		6.435 - 6.515 GHz



	6.535 - 6.875 GHz
	6.895 - 7.115 GHz
Data Rates	802.11b: 1, 2, 5.5, 11 Mbps
	802.11g: 6, 9, 12, 18, 24, 36, 48, 54 Mbps
	802.11a: 6, 9, 12, 18, 24, 36, 48, 54 Mbps
	802.11n: max 300Mbps
	802.11ac : 1733Mbps
	802.11ax : max 2.4Gbps
	802.11be : max 5.76Gbps
Modulation	Direct Sequence Spread Spectrum
	1024-QAM, 16-QAM, 256-QAM, 4096-QAM, 64-QAM, BPSK, CCK, OFDM, QPSK
Security	WPA3 personal and enterprise including WPA2 transition mode.
	802.1X EAP-TLS, EAP-TTLS/MSCHAPv2, PEAPv0 -MSCHAPv2 (EAP-SIM, EAP-AKA, EAP-AKA')
	128-bit AES-CCMP, 256-bit AES-GCMP"
Network Architecture	Ad-hoc (Peer to Peer)
Models	Infrastructure (Access Point Required)
Roaming	IEEE 802.11 compliant roaming between access points
Output Power	802.11b, 1Mbps : +17dBm minimum
	802.11g, 6Mbps : +16dBm minimum
	802.11a, 6Mbps : +17dBm minimum
	802.11n, MCS7(HT20) : +14dBm minimum
	802.11n, MCS7(HT40) : +13.5dBm minimum
	802.11ac MCS9(VHT20) : 13.5dBm minimum
	802.11ac MCS9(VHT40) : +13.5dBm minimum
	802.11ac MCS9(VHT80) : +12.5dBm minimum
	802.11ac MCS9(VHT160) : +10.5dBm minimum
	802.11ax MCS11(HE20)(6GHz) : +11.5dBm minimum
	802.11ax MCS11(HE40)(6GHz) : +7.5dBm minimum
	802.11ax MCS11(HE80)(6GHz) : +7.5dBm minimum
	802.11ax MCS11(HE160)(6GHz) : +7.5dBm minimum
	802.11be MCS13(EHT20)(6GHz) : +4dBm minimum



	802.11be MCS13(EHT40)(6GHz) : +7dBm minimum
	802.11be MCS13(EHT80)(6GHz) : +10dBm minimum
	802.11be MCS13(EHT160)(6GHz) : +13dBm minimum
	802.11be MCS13(EHT320)(6GHz) : +16dBm minimum
Power Consumption	Transmit mode : 3.1 W
	Receive mode : 1.8 W
	Idle mode (PSP) : 180 mW (WLAN Associated)
	Idle mode: 50 mW (WLAN unassociated)
	Connected Standby/Modern Standby : 10 mW
	Radio disabled : 8 mW
Power Management	ACPI and PCI Express® compliant power management
	802.11 compliant power saving mode
Receiver Sensitivity	802.11b, 1Mbps : -93.5dBm maximum
	802.11b, 11Mbps : -85dBm maximum
	802.11a/g, 6Mbps : -90.5dBm maximum
	802.11a/g, 54Mbps : -72.5dBm maximum
	802.11n, MCS0(HT20) : -90dBm maximum
	802.11n, MCS7(HT20) : -71.5dBm maximum
	802.11n, MCS0(HT40) : -88.5dBm maximum
	802.11n, MCS7(HT40) : -68.5dBm maximum
	802.11ac, MCS9(VHT20) : -88.5dBm maximum
	802.11ac, MCS9(VHT40) : -65.5dBm maximum
	802.11ac, MCS9(VHT80) : -60.5dBm maximum
	802.11ac, MCS9(VHT160) : -58.5dBm maximum
	802.11ax, MCS11(HE20)(6GHz) : -59.5dBm maximum
	802.11ax, MCS11(HE40)(6GHz) : -56.5dBm maximum
	802.11ax, MCS11(HE80)(6GHz) : -53.5dBm maximum
	802.11ax, MCS11(HE160)(6GHz) : -51.5dBm maximum
	802.11be, MCS13(EHT20)(6GHz) : -55.5dBm maximum
	802.11be, MCS13(EHT40)(6GHz) : -53.5dBm maximum
	802.11be, MCS13(EHT80)(6GHz) : -51.5dBm maximum
	802.11be, MCS13(EHT160)(6GHz) : -48.5dBm maximum
	802.11be, MCS13(EHT320)(6GHz) : -45.5dBm maximum



Antenna Type	High efficiency antenna with spatial diversity Two embedded tri-band 2.4/5/6 GHz antennas are provided to the card to support WLAN MIMO communications and Bluetooth communications
Form Factor	PCI Express® M.2 MiniCard with CNVi Interface
Dimensions	30.00 x 22.00 x 2.30 mm (1.18 x 0.87 x 0.09 inch)
Weight	Type 2230: 2.99g
Operating Voltage	3.3 v +/- 9 %
Integrated Bluetooth® specifications	
Bluetooth® Specification	4.0/4.1/4.2/5.0/5.1/5.2/5.3/5.4/6.0 Compliant
Frequency Band	2402 to 2480 MHz
Number of Available Channels	Legacy : 0~79 (1 MHz/CH) BLE : 0~39 (2 MHz/CH)
Data Rates and Throughput	Bluetooth 4.x : 1Mbps (LE); 3Mbps (EDR) Bluetooth 5.x : 2Mbps (LE); 3Mbps (EDR) Bluetooth 6.0 : 2Mbps (LE); 3Mbps (EDR)
Transmit Power	The Bluetooth component shall operate as a Class I Bluetooth device with a maximum transmit power of +15.5 dBm for BR and +13dBm for EDR.
Power Consumption	Peak (Tx): 330 mW Peak (Rx): 230 mW Selective Suspend: 17 mW
Bluetooth® Software	Microsoft Windows Bluetooth® Software
Supported Link Topology	
Power Management	ACPI and PCI Express compliant power management 802.11 compliant power saving mode
Certifications	FCC (47 CFR) Part 15C/E, Section 15.247, 15.249, 15.407 ETSI 300 328, ETSI 301 893, ETSI 303 687
Bluetooth® Profiles Supported	Advanced Audio Distribution Profile (A2DP) Basic Imaging Profile (BIP) Bluetooth® 4.1 -ESR 5/6/7 Compliance Bluetooth® 4.2 ESR08 Compliance Bluetooth® 5.2



Bluetooth® 5.3
Channel Selection Algo
Compliance to the latest Errata Section 12.3 of Bluetooth® 5.3 specification
Encryption key size control enhancements
ESR 9/10 Compliance
FAX Profile (FAX)
Hands Free Profile (HFP)
Headset Profile (HSP)
Host to Controller Encryption Key Control Enhancements
LE 2Mbps
LE Advertisement Extensions
LE Data Packet Length Extension
LE Dual Mode
LE L2CAP Connection Oriented Channels
LE Link Layer
LE Link Layer Ping
LE Long Range
LE Low Duty Cycle Directed Advertising
LE Privacy 1.2 –Extended Scanner Filter Policies
LE Privacy 1.2 –Link Layer Privacy
LE Secure Connection- Basic/Full
Limited High Duty Cycle Non-Connectable Advertising
Periodic Advertisement interval
Train Nudging & Interlaced Scan
Windows Bluetooth® profiles support

Intel® BE211 Wi-Fi 7

Wireless LAN Standards

Bluetooth® 6.0 vPro WW

WLAN

IEEE 802.11a

IEEE 802.11b

IEEE 802.11g

IEEE 802.11n

IEEE 802.11ac

IEEE 802.11ax



	IEEE 802.11be
	IEEE 802.11d
	IEEE 802.11e
	IEEE 802.11h
	IEEE 802.11i
	IEEE 802.11k
	IEEE 802.11r
	IEEE 802.11v
Interoperability	Wi-Fi certified
Frequency Band	802.11b/g/n/ax/be
	2.402 - 2.482 GHz
	802.11a/n/ac/ax/be
	5.15 - 5.25 GHz
	5.25 - 5.35 GHz
	5.47 - 5.725 GHz
	5.825 - 5.850 GHz
	5.955 - 6.415 GHz
	6.435 - 6.515 GHz
	6.535 - 6.875 GHz
	6.895 - 7.115 GHz
Data Rates	802.11b: 1, 2, 5.5, 11 Mbps
	802.11g: 6, 9, 12, 18, 24, 36, 48, 54 Mbps
	802.11a: 6, 9, 12, 18, 24, 36, 48, 54 Mbps
	802.11n: max 300Mbps
	802.11ac : 1733Mbps
	802.11ax : max 2.4Gbps
	802.11be : max 5.76Gbps
Modulation	Direct Sequence Spread Spectrum
	1024-QAM, 16-QAM, 256-QAM, 4096-QAM, 64-QAM, BPSK,
	CCK, OFDM, QPSK
Security	WPA3 personal and enterprise including WPA2 transition mode.
	802.1X EAP-TLS, EAP-TTLS/MSCHAPv2, PEAPv0 -MSCHAPv2
	(EAP-SIM, EAP-AKA, EAP-AKA')



	128-bit AES-CCMP, 256-bit AES-GCMP
Network Architecture	Ad-hoc (Peer to Peer)
Models	Infrastructure (Access Point Required)
Roaming	IEEE 802.11 compliant roaming between access points
Output Power	802.11b, 1Mbps : +17dBm minimum 802.11g, 6Mbps : +16dBm minimum 802.11a, 6Mbps : +17dBm minimum 802.11n, MCS7(HT20) : +14dBm minimum 802.11n, MCS7(HT40) : +13.5dBm minimum 802.11ac MCS9(VHT20) : 13.5dBm minimum 802.11ac MCS9(VHT40) : +13.5dBm minimum 802.11ac MCS9(VHT80) : +12.5dBm minimum 802.11ac MCS9(VHT160) : +10.5dBm minimum 802.11ax MCS11(HE20)(6GHz) : +11.5dBm minimum 802.11ax MCS11(HE40)(6GHz) : +7.5dBm minimum 802.11ax MCS11(HE80)(6GHz) : +7.5dBm minimum 802.11ax MCS11(HE160)(6GHz) : +7.5dBm minimum 802.11be MCS13(EHT20)(6GHz) : +4dBm minimum 802.11be MCS13(EHT40)(6GHz) : +7dBm minimum 802.11be MCS13(EHT80)(6GHz) : +10dBm minimum 802.11be MCS13(EHT160)(6GHz) : +13dBm minimum 802.11be MCS13(EHT320)(6GHz) : +16dBm minimum
Power Consumption	Transmit mode : 3.1 W Receive mode : 1.8 W Idle mode (PSP) : 180 mW (WLAN Associated) Idle mode: 50 mW (WLAN unassociated) Connected Standby/Modern Standby : 10 mW Radio disabled : 8 mW
Power Management	ACPI and PCI Express® compliant power management 802.11 compliant power saving mode
Receiver Sensitivity	802.11b, 1Mbps : -93.5dBm maximum 802.11b, 11Mbps : -85dBm maximum 802.11a/g, 6Mbps : -90.5dBm maximum

	802.11a/g, 54Mbps : -72.5dBm maximum
	802.11n, MCS0(HT20) : -90dBm maximum
	802.11n, MCS7(HT20) : -71.5dBm maximum
	802.11n, MCS0(HT40) : -88.5dBm maximum
	802.11n, MCS7(HT40) : -68.5dBm maximum
	802.11ac, MCS9(VHT20) : -88.5dBm maximum
	802.11ac, MCS9(VHT40) : -65.5dBm maximum
	802.11ac, MCS9(VHT80) : -60.5dBm maximum
	802.11ac, MCS9(VHT160) : -58.5dBm maximum
	802.11ax, MCS11(HE20)(6GHz) : -59.5dBm maximum
	802.11ax, MCS11(HE40)(6GHz) : -56.5dBm maximum
	802.11ax, MCS11(HE80)(6GHz) : -53.5dBm maximum
	802.11ax, MCS11(HE160)(6GHz) : -51.5dBm maximum
	802.11be, MCS13(EHT20)(6GHz) : -55.5dBm maximum
	802.11be, MCS13(EHT40)(6GHz) : -53.5dBm maximum
	802.11be, MCS13(EHT80)(6GHz) : -51.5dBm maximum
	802.11be, MCS13(EHT160)(6GHz) : -48.5dBm maximum
	802.11be, MCS13(EHT320)(6GHz) : -45.5dBm maximum
Antenna Type	High efficiency antenna with spatial diversity Two embedded tri-band 2.4/5/6 GHz antennas are provided to the card to support WLAN MIMO communications and Bluetooth communications
Form Factor	PCI Express® M.2 MiniCard with CNVi Interface
Dimensions	30.00 x 22.00 x 2.30 mm (1.18 x 0.87 x 0.09 inch)
Weight	Type 2230: 2.99g
Operating Voltage	3.3 v +/- 9 %
	Integrated Bluetooth® specifications
Bluetooth® Specification	4.0/4.1/4.2/5.0/5.1/5.2/5.3/5.4/6.0 Compliant
Frequency Band	2402 to 2480 MHz
Number of Available Channels	Legacy : 0~79 (1 MHz/CH) BLE : 0~39 (2 MHz/CH)
Data Rates and Throughput	Bluetooth 4.x : 1Mbps (LE); 3Mbps (EDR) Bluetooth 5.x : 2Mbps (LE); 3Mbps (EDR)



Transmit Power	Bluetooth 6.0 : 2Mbps (LE); 3Mbps (EDR) The Bluetooth component shall operate as a Class I Bluetooth device with a maximum transmit power of +15.5 dBm for BR and +13dBm for EDR.
Power Consumption	Peak (Tx): 330 mW Peak (Rx): 230 mW Selective Suspend: 17 mW
Bluetooth® Software	Microsoft Windows Bluetooth® Software
Supported Link Topology	
Power Management	ACPI and PCI Express compliant power management 802.11 compliant power saving mode
Certifications	FCC (47 CFR) Part 15C/E, Section 15.247, 15.249, 15.407 ETSI 300 328, ETSI 301 893, ETSI 303 687
Bluetooth® Profiles Supported	Advanced Audio Distribution Profile (A2DP) Basic Imaging Profile (BIP) Bluetooth® 4.1 -ESR 5/6/7 Compliance Bluetooth® 4.2 ESR08 Compliance Bluetooth® 5.2 Bluetooth® 5.3 Channel Selection Algo Compliance to the latest Errata Section 12.3 of Bluetooth® 5.3 specification Encryption key size control enhancements ESR 9/10 Compliance FAX Profile (FAX) Hands Free Profile (HFP) Headset Profile (HSP) Host to Controller Encryption Key Control Enhancements LE 2Mbps LE Advertisement Extensions LE Data Packet Length Extension LE Dual Mode LE L2CAP Connection Oriented Channels



LE Link Layer
LE Link Layer Ping
LE Long Range
LE Low Duty Cycle Directed Advertising
LE Privacy 1.2 -Extended Scanner Filter Policies
LE Privacy 1.2 -Link Layer Privacy
LE Secure Connection- Basic/Full
Limited High Duty Cycle Non-Connectable Advertising
Periodic Advertisement interval
Train Nudging & Interlaced Scan
Windows Bluetooth® profiles support

HP 5G NR Sub-6 CAT19

Technology Operating Bands

WCDMA/HSPA+ operating bands:

Band 1: 1920 to 1980 MHz (UL), 2110 to 2170 MHz (DL)

Band 2: 1850 to 1910 MHz (UL), 1930 to 1990 MHz (DL)

Band 4: 1710 to 1755 MHz (UL), 2110 to 2155 MHz (DL)

Band 5: 824 to 849 MHz (UL), 869 to 894 MHz (DL)

Band 8: 880 to 915 MHz (UL), 925 to 960 MHz (DL)

LTE FDD/TDD operating bands:

Band 1: 1920 to 1980 MHz (UL), 2110 to 2170 MHz (DL)

Band 2: 1850 to 1910 MHz (UL), 1930 to 1990 MHz (DL)

Band 3: 1710 to 1785 MHz (UL), 1805 to 1880 MHz (DL)

Band 4: 1710 to 1755 MHz (UL), 2110 to 2155 MHz (DL)

Band 5: 824 to 849 MHz (UL), 869 to 894 MHz (DL)

Band 7: 2500 to 2570 MHz (UL), 2620 to 2690 MHz (DL)

Band 8: 880 to 915 MHz (UL), 925 to 960 MHz (DL)

Band 12: 699 to 716 MHz (UL), 729 to 746 MHz (DL)

Band 13: 777 to 787 MHz (UL), 746 to 756 MHz (DL)

Band 14: 788 to 798 MHz (UL), 758 to 768 MHz (DL)

Band 17: 704 to 716 MHz (UL), 734 to 746 MHz (DL)

Band 18: 815 to 830 MHz (UL), 860 to 875 MHz (DL)

Band 19: 830 to 845 MHz (UL), 875 to 890 MHz (DL)

Band 20: 832 to 862 MHz (UL), 791 to 821 MHz (DL)



Band 25: 1850 to 1915 MHz (UL), 1930 to 1995 MHz (DL)

Band 26: 814 to 849 MHz (UL), 859 to 894 MHz (DL)

Band 28: 703 to 748 MHz (UL), 758 to 803 MHz (DL)

Band 29: 717 to 728 MHz (DL)

Band 30: 2305 to 2315 MHz (UL) 2350 to 2360 MHz (DL)

Band 32: 1452 to 1496 MHz (DL)

Band 34: 2010 to 2025 MHz (UL/DL)

Band 38: 2570 to 2620 MHz (UL/DL)

Band 39: 1880 to 1920 MHz (UL/DL)

Band 40: 2300 to 2400 MHz (UL/DL)

Band 41: 2496 to 2690 MHz (UL/DL)

Band 42: 3400 to 3600 MHz (UL/DL)

Band 43: 3400 to 3800 MHz (UL/DL)

Band 46: 5150 to 5925 MHz (DL)

Band 48: 3550 to 3700 MHz (UL/DL)

Band 66: 1710 to 1800 MHz (UL), 2110 to 2200 MHz (DL)

Band 71: 663 to 698 MHz (UL), 617 to 652 MHz (DL)

5GNR Sub 6GHZ

n1: 1920 to 1980 MHz (UL), 2110 to 2170 MHz (DL)

n2: 1850 to 1910 MHz (UL), 1930 to 1990 MHz (DL)

n3: 1710 to 1785 MHz (UL), 1805 to 1880 MHz (DL)

n5: 824 to 849 MHz (UL), 869 to 894 MHz (DL)

n7: 2500 to 2570 MHz (UL), 2620 to 2690 MHz (DL)

n8: 880 to 915 MHz (UL), 925 to 960 MHz (DL)

n12: 699 to 716 MHz (UL), 729 to 746 MHz (DL)

n14: 788 to 798 MHz (UL), 758 to 768 MHz (DL)

n20: 832 to 862 MHz (UL), 791 to 821 MHz (DL)

n25: 1850 to 1915 MHz (UL), 1930 to 1995 MHz (DL)

n26: 814 to 849 MHz (UL), 859 to 894 MHz (DL)

n28: 703 to 748 MHz (UL), 758 to 803 MHz (DL)

n30: 2305 to 2315 MHz (UL) 2350 to 2360 MHz (DL)

n38: 2570 to 2620 MHz (UL/DL)

n40: 2300 to 2400 MHz (UL/DL)



	n41: 2496 to 2690 MHz (UL/DL)
	n48: 3550 to 3700 MHz (UL/DL)
	n66: 1710 to 1800 MHz (UL), 2110 to 2200 MHz (DL)
	n71: 663 to 698 MHz (UL), 617 to 652 MHz (DL)
	n77: 3300 to 4200 MHz (UL/DL)
	n78: 3300 to 3800 MHz (UL/DL)
	n79: 4400 to 5000 MHz (UL/DL)
Wireless Protocol Standards	NR Sub6G rel15 200MHz 2 DLCA, 256 QAM 200MHz 2 ULCA, 256 QAM 15KHz/30KHz SCS for FDD/TDD LTE Rel15 100MHz 5 DLCA, 256 QAM 40MHz 2 ULCA, 256 QAM UMTS Rel8
GPS	GPS only support L1 C/A
GPS Bands	GPS: L1 (1575.42MHz) GLONASS: L1 (1602MHz) BeidouB1(1561.098MHz) Galileo E1 (1575.42) QZSS (1575.42 MHz)
Maximum Data Rates	Sub-6 SA Peak DL 4.67Gbps/UL 1.25Gbps Sub-6 NSA Peak DL 3.74Gbps/UL 835Mbps LTE Peak DL 1.6Gbps (CAT19)/UL 211Mbps (CAT18) UMTS/HSPA+ DL DC-HSPA+: 42 Mbps (CAT24)/UL 11.5 Mbps (CAT7)
Maximum Output Power	NR : 23 dBm in all band except (n30 = 22dBm & n48=21dBm & n77=25dBm & n41/n77/n78 = 26dBm) LTE:



		23 dBm in all band except (B30 = 22dBm & B48=21dBm & B41=26dBm)
		UMTS: 23.5 dBm
	Maximum Power Consumption	3500 mA (peak); 1674mA (average)
	Form Factor	M.2 3052-S3 Key B
	Weight	8.7 g (0.307 oz)
	Dimensions (Length x Width x Thickness)	52.00 x 30.00 x 2.30 mm (2.05 x 1.18 x 0.09 inch)
	Embedded eSIM	Yes
HP 5G NR Sub-6 CAT19 HP Go Solution	Technology Operating Bands	<p>WCDMA/HSPA+ operating bands:</p> <p>Band 1: 1920 to 1980 MHz (UL), 2110 to 2170 MHz (DL)</p> <p>Band 2: 1850 to 1910 MHz (UL), 1930 to 1990 MHz (DL)</p> <p>Band 4: 1710 to 1755 MHz (UL), 2110 to 2155 MHz (DL)</p> <p>Band 5: 824 to 849 MHz (UL), 869 to 894 MHz (DL)</p> <p>Band 8: 880 to 915 MHz (UL), 925 to 960 MHz (DL)</p> <p>LTE FDD/TDD operating bands:</p> <p>Band 1: 1920 to 1980 MHz (UL), 2110 to 2170 MHz (DL)</p> <p>Band 2: 1850 to 1910 MHz (UL), 1930 to 1990 MHz (DL)</p> <p>Band 3: 1710 to 1785 MHz (UL), 1805 to 1880 MHz (DL)</p> <p>Band 4: 1710 to 1755 MHz (UL), 2110 to 2155 MHz (DL)</p> <p>Band 5: 824 to 849 MHz (UL), 869 to 894 MHz (DL)</p> <p>Band 7: 2500 to 2570 MHz (UL), 2620 to 2690 MHz (DL)</p> <p>Band 8: 880 to 915 MHz (UL), 925 to 960 MHz (DL)</p> <p>Band 12: 699 to 716 MHz (UL), 729 to 746 MHz (DL)</p> <p>Band 13: 777 to 787 MHz (UL), 746 to 756 MHz (DL)</p> <p>Band 14: 788 to 798 MHz (UL), 758 to 768 MHz (DL)</p> <p>Band 17: 704 to 716 MHz (UL), 734 to 746 MHz (DL)</p> <p>Band 18: 815 to 830 MHz (UL), 860 to 875 MHz (DL)</p> <p>Band 19: 830 to 845 MHz (UL), 875 to 890 MHz (DL)</p>



Band 20: 832 to 862 MHz (UL), 791 to 821 MHz (DL)
Band 25: 1850 to 1915 MHz (UL), 1930 to 1995 MHz (DL)
Band 26: 814 to 849 MHz (UL), 859 to 894 MHz (DL)
Band 28: 703 to 748 MHz (UL), 758 to 803 MHz (DL)
Band 29: 717 to 728 MHz (DL)
Band 30: 2305 to 2315 MHz (UL) 2350 to 2360 MHz (DL)
Band 32: 1452 to 1496 MHz (DL)
Band 34: 2010 to 2025 MHz (UL/DL)
Band 38: 2570 to 2620 MHz (UL/DL)
Band 39: 1880 to 1920 MHz (UL/DL)
Band 40: 2300 to 2400 MHz (UL/DL)
Band 41: 2496 to 2690 MHz (UL/DL)
Band 42: 3400 to 3600 MHz (UL/DL)
Band 43: 3400 to 3800 MHz (UL/DL)
Band 46: 5150 to 5925 MHz (DL)
Band 48: 3550 to 3700 MHz (UL/DL)
Band 66: 1710 to 1800 MHz (UL), 2110 to 2200 MHz (DL)
Band 71: 663 to 698 MHz (UL), 617 to 652 MHz (DL)
5G NR Sub 6GHz
n1: 1920 to 1980 MHz (UL), 2110 to 2170 MHz (DL)
n2: 1850 to 1910 MHz (UL), 1930 to 1990 MHz (DL)
n3: 1710 to 1785 MHz (UL), 1805 to 1880 MHz (DL)
n5: 824 to 849 MHz (UL), 869 to 894 MHz (DL)
n7: 2500 to 2570 MHz (UL), 2620 to 2690 MHz (DL)
n8: 880 to 915 MHz (UL), 925 to 960 MHz (DL)
n12: 699 to 716 MHz (UL), 729 to 746 MHz (DL)
n14: 788 to 798 MHz (UL), 758 to 768 MHz (DL)
n20: 832 to 862 MHz (UL), 791 to 821 MHz (DL)
n25: 1850 to 1915 MHz (UL), 1930 to 1995 MHz (DL)
n26: 814 to 849 MHz (UL), 859 to 894 MHz (DL)
n28: 703 to 748 MHz (UL), 758 to 803 MHz (DL)
n30: 2305 to 2315 MHz (UL) 2350 to 2360 MHz (DL)
n38: 2570 to 2620 MHz (UL/DL)



	n40: 2300 to 2400 MHz (UL/DL)
	n41: 2496 to 2690 MHz (UL/DL)
	n48: 3550 to 3700 MHz (UL/DL)
	n66: 1710 to 1800 MHz (UL), 2110 to 2200 MHz (DL)
	n71: 663 to 698 MHz (UL), 617 to 652 MHz (DL)
	n77: 3300 to 4200 MHz (UL/DL)
	n78: 3300 to 3800 MHz (UL/DL)
	n79: 4400 to 5000 MHz (UL/DL)
Wireless Protocol Standards	NR Sub6G rel15
	200MHz 2 DLCA, 256 QAM
	200MHz 2 ULCA, 256 QAM
	15KHz/30KHz SCS for FDD/TDD
	LTE Rel15
	100MHz 5 DLCA, 256 QAM
	40MHz 2 ULCA, 256 QAM
	UMTS Rel8
GPS	GPS only support L1 C/A
GPS Bands	GPS: L1 (1575.42MHz)
	GLONASS: L1 (1602MHz)
	BeidouB1(1561.098MHz)
	Galileo E1 (1575.42)
	QZSS (1575.42 MHz)
Maximum Data Rates	Sub-6 SA Peak
	DL 4.67Gbps/UL 1.25Gbps
	Sub-6 NSA Peak
	DL 3.74Gbps/UL 835Mbps
	LTE Peak
	DL 1.6Gbps (CAT19)/UL 211Mbps (CAT18)
	UMTS/HSPA+
	DL DC-HSPA+: 42 Mbps (CAT24)/UL 11.5 Mbps (CAT7)
Maximum Output Power	NR :
	23 dBm in all band except (n30 = 22dBm & n48=21dBm & n77=25dBm & n41/n77/n78 = 26dBm)



	LTE:	23 dBm in all band except (B30 = 22dBm & B48=21dBm & B41=26dBm)
	UMTS:	23.5 dBm
Maximum Power Consumption		3500 mA (peak); 1674mA (average)
Form Factor	M.2	3052-S3 Key B
Weight		8.7 g (0.307 oz)
Dimensions (Length x Width x Thickness)		52.00 x 30.00 x 2.30 mm (2.05 x 1.18 x 0.09 inch)
Embedded eSIM	Yes	

NFC Mirage WNC XRAV-1	Dimensions (L x W x H)	17.00 x 10.00 x 2.00 mm (0.67 x 0.39 x 0.08 inch)
	Chipset	NPC300
	System Interface	I2C
	NFC RF Standards	ISO/IEC 14443 A ISO/IEC 14443 B ISO/IEC 15693 ISO/IEC 18092 ECMA-340 NFCIP-1 Target and Initiator ECMA-320 NFCIP-2
	NFC Forum Support	Type 1, Type 2, Type 3 / Type 4, NFCIP-1 / NFCIP-2
	Reader Mode (PCD-VCD)	ISO/IEC 14443 A ISO/IEC 14443 B ISO/IEC 15693 MIFARE 1K MIFARE 4K MIFARE DESFire



	FeliCa
	Jewel and Topaz
Card Emulation Mode (PICC-VICC)	ISO/IEC 14443 A ISO/IEC 14443 B and B'
	MIFARE
	FeliCa
Frequency	13.56 MHz
NFC Modes Supported	Reader/Writer, Peer-to-Peer
Raw RF Data Rates	106 kbps, 212 kbps, 424 kbps, 848 kbps
Operating Temperature	0°C to 70°C (32°F to 158°F)
Storage Temperature	-20°C to 125°C (-4°F to 257°F)
Humidity	Operating: 10 - 90% Non-Operating: 5 - 95%
Supply Operating Voltage	4.35 to 5.25 Volts
I/O Voltage	1.8V or 3.3V
Power Consumption	Booster enable, VBAT= 3.3V, VCC_BOOST = 5V
Mode	Power Consumption, Typical
Polling	7.3 mA
Detected Test Tag Type 1	Total 283.8 mA Net Module 236.8 mA
Detected Test Tag Type 2	Total 288.8 mA Net Module 241.8 mA
Detected Test Tag Type 3	Total 287.7 mA Net Module 240.7 mA
Detected Test Tag Type 4	Total 282.3 mA Net Module 235.3 mA
Antenna	Antenna connector, 0.5mm pitch, 7 connector FPC. Antenna matching is external to module.



Intel® I219-LM 1GbE Vpro Ethernet Controller	Connector	RJ-45
	System Interface	PCI™ (Intel proprietary) + SMBus
	Data Rates Supported	1000 Mbit/s operation (1000BASE-T; IEEE 802.3ab; IEEE 802.3 clauses 40) 100 Mbit/s operation (100BASE-TX; IEEE 802.3u; IEEE 802.3 clauses 21-30) 10 Mbit/s operation (10BASE-T; IEEE 802.3i; IEEE 802.3 clauses 13-14) Auto-Negotiation (Automatic Speed Selection) Full Duplex Operation at all Speeds Half Duplex operation at 10 & 100 Mbit/s
	IEEE Compliance	IEEE 802.1p QoS (Quality of Service) Support IEEE 802.1q VLAN support IEEE 802.3x Flow Control (IEEE 802.3 clauses 31-32; configurable) IEEE 802.3az EEE (Energy Efficient Ethernet)
	Performance	TCP/IP/UDP Checksum Offload (configurable) Protocol Offload (ARP & NS) Large send offload and Giant send offload Receiving Side Scaling (Hash Mode Only) Jumbo Frame 9K
	Power Consumption	Cable Disconnection: 25 mW 100Mbps Full Run: 450 mW 1000Mbps Full Run: 1000 mW WoL Enable(S3/S4/S5): 50 mW WoL Disable(S3/S4/S5): 25 mW
	Power Management	ACPI compliant – multiple power modes Situation-sensitive features reduce power consumption Advanced link down power saving for reducing link down power consumption
	Management Interface	Auto MDI/MDIX Crossover cable detection
	IT Manageability	Wake-on-LAN from modern standby or sleep state (Magic Packet and Microsoft Wake-Up Frame)



		Wake-on-LAN from off (Magic Packet only)
		PXE 2.1 Remote Boot
		Statistics Gathering (SNMP MIB II, Ethernet-like MIB, Ethernet MIB (802.3x, clause 30))
		Comprehensive diagnostic and configuration software suite
		Virtual Cable Doctor for Ethernet cable status
	Security & Manageability	Intel® vPro™ support with appropriate Intel® chipset components
Intel® I219-V 1GbE Ethernet Controller	Connector	RJ-45
	System Interface	PCI™ (Intel proprietary) + SMBus
	Data Rates Supported	10 Mbit/s operation (10BASE-T; IEEE 802.3i; IEEE 802.3 clauses 13-14)
		100 Mbit/s operation (100BASE-TX; IEEE 802.3u; IEEE 802.3 clauses 21-30)
		1000 Mbit/s operation (1000BASE-T; IEEE 802.3ab; IEEE 802.3 clauses 40)
		Auto-Negotiation (Automatic Speed Selection)
		Full Duplex Operation at all Speeds
		Half Duplex operation at 10 & 100 Mbit/s
	IEEE Compliance	IEEE 802.1p QoS (Quality of Service) Support
		IEEE 802.1q VLAN support
		IEEE 802.3x Flow Control (IEEE 802.3 clauses 31-32; configurable)
		IEEE 802.3az EEE (Energy Efficient Ethernet)
		IEEE 802.3i 10BASE-T
		IEEE 802.3u 100BASE-TX
		IEEE 802.3ab 1000BASE-T
		IEEE 802.3bz 2.5GBASE-T
	Performance	TCP/IP/UDP Checksum Offload (configurable)
		Protocol Offload (ARP & NS)
		Large send offload and Giant send offload
		Receiving Side Scaling (Hash Mode Only)
		Jumbo Frame 9K



Power Consumption	<p>Cable Disconnection: 25 mW</p> <p>100Mbps Full Run: 450 mW</p> <p>1000Mbps Full Run: 1000 mW</p> <p>WoL Enable(S3/S4/S5): 50 mW</p> <p>WoL Disable(S3/S4/S5): 25 mW</p>
Power Management	<p>ACPI compliant - multiple power modes</p> <p>Situation-sensitive features reduce power consumption</p> <p>Advanced link down power saving for reducing link down power consumption</p>
Management Interface	<p>Auto MDI/MDIX Crossover cable detection</p>
IT Manageability	<p>Wake-on-LAN from modern standby or sleep state (Magic Packet and Microsoft Wake-Up Frame)</p> <p>Wake-on-LAN from off (Magic Packet only)</p> <p>PXE 2.1 Remote Boot</p> <p>Statistics Gathering (SNMP MIB II, Ethernet-like MIB, Ethernet MIB (802.3x, clause 30))</p> <p>Virtual Cable Doctor for Ethernet cable status</p> <p>Comprehensive diagnostic and configuration software suite</p>
Security & Manageability	<p>Intel® non-vPro™ support with appropriate Intel® chipset components</p>
HP RW220-GL LTE (Low Power) (CAT-1bis)	<p>Technology/Operating bands</p> <p>FDD LTE: 2100 (Band 1), 1800 (Band 3), 850 (Band 5), 900 (Band 8), 700 (Band 12), 850 (Band 18), 850 (Band 19), 800 (Band 20), 850 (Band 26), 700 (Band 28)</p> <p>WIFI Scan : 802.11b</p> <p>Wireless Protocol Standards</p> <p>-3GPP TS 51.010-1 V12.9.0: Mobile Station (MS) conformance specification; Part 1: Conformance specification</p> <p>-3GPP TS 36.521-1 V13.3.0: User Equipment (UE) conformance specification; Radio transmission and reception; Part 1: Conformance testing</p> <p>-3GPP TS 21.111 V10.0.0: USIM and IC card requirements</p> <p>-3GPP TS 51.011 V4.15.0: Specification of the Subscriber</p>



	Identity Module -Mobile Equipment (SIM-ME) interface
	-3GPP TS 31.102 V10.11.0: Characteristics of the Universal Subscriber Identity Module (USIM) application
	-3GPP TS 31.111 V10.16.0: Universal Subscriber Identity Module (USIM) Application Toolkit (USAT)
	-3GPP TS 36.124 V13.2.0: Electro Magnetic Compatibility (EMC) requirements for mobile terminals and ancillary equipment
	-3GPP TS 27.007 V10.0.8: AT command set for User Equipment (UE)
	-3GPP TS 27.005 V10.0.1: Use of Data Terminal Equipment - Data Circuit terminating Equipment (DTE DCE) interface for Short Message Service (SMS) and Cell Broadcast Service (CBS)
GPS	GPS, Galileo, BeiDou, QZSS, AGPS-MS-B
GPS Bands	GPS L1:1575.42Mhz±1.023Mhz, BDS B1:1561.098Mhz±2.046Mhz , Galileo E1:1575.42Mhz±1.023Mhz , QZSS L1:1575.42Mhz±1.023Mhz
Maximum Data Rates	LTE FDD: 10.00 Mbps(Download), 5.00 Mbps (Upload)
Maximum Output Power	B1/3: 23 +/-2dBm, B5/8/12/18/19/20/26/28: 24 +1.7/-2dBm
Maximum Power Consumption	Peak Current : 290.945mA Average current : 8.035mA
Weight	3.9 g(0.138 oz)
Dimensions (Length x Width x Thickness)	42.00 x 22.00 x 2.30 mm (1.65 x 0.87 x 0.09 inch)
Embedded eSIM	Yes



POWER

Power supply availability may vary by country.

100W Gallium Nitride USB-C AC power adapter	Weight (DC Cable Included)	106 g ± 10 g
	Input	100 Vac ~ 240 Vac
	Input Efficiency	USB-C
		90.00 % min at 115 Vac/ 230 Vac @ 20.00 V/ 5.00 A
	Input frequency range	47 Hz ~ 63 Hz
	Input AC current	Max 1.60 A at 90 Vac input
	Output	
	Output power	20.00 V / 100.00 W
	DC output	+ 20.00 V
	Hold - up time	5 ms at 115 Vac input
	Output Over Current	5.40 A (max)
	Protection	
	AC Inlet Type	Fixed 2 Prong
	DC Cable Connector	USB Type-C
	DC Cable Material	Halogen Free
	Connector	
	Connector	Fixed 2 Prong
	Environmental Design	
	Operating temperature	0°C to 35°C (32°F to 95°F)
	Non - operating(storage) temperature	-20°C to 85°C (-4°F to 185°F)
	Altitude	0 m to 5000 m (0 ft to 16404.2 ft)
	Humidity	20 % to 95 %
	Storage Humidity	10 % to 95 %
	EMI and Safety Certifications	Worldwide safety standards - IEC60950-1 and IEC62368-1: 2018, EN62368-1:2014+A11, UL62368-1 Agency approvals - C-UL-US, TUV/GS, TUV/PSE, EN55032 Class B, FCC Class B, CISPR32 Class B, CCC and CECP, CU(EAC), EAEU, KCC(Safety+EMC) and K-MEPS, NOM-001 and 029 NYCE, NRcan, NRCS, ISC, SEC, PSB, Argentina S-mark, Australia GEMS



and RCM, BIS, BSMI, UAE, UKCA DoC

100W Gallium Nitride USB-C AC power adapter	Weight (DC Cable Included)	250 g ± 10 g
	Input	100 Vac ~ 240 Vac
	Input Efficiency	USB-C 90.00 % min at 115 Vac/ 230 Vac @ 20.00 V/ 5.00 A
	Input frequency range	47 Hz ~ 63 Hz
	Input AC current	Max 1.60 A at 90 Vac input
	Output	
	Output power	20.00 V / 100.00 W
	DC output	+ 20.00 V
	Hold - up time	5 ms at 115 Vac input
	Output Over Current	5.40 A (max)
	Protection	
	AC Inlet Type	Foldable for 2 prong
	DC Cable Connector	USB Type-C
	DC Cable Material	Halogen Free
	Connector	
	Connector	Foldable for 2 prong
	Environmental Design	
	Operating temperature	0°C to 35°C (32°F to 95°F)
	Non - operating(storage) temperature	-20°C to 85°C (-4°F to 185°F)
	Altitude	0 m to 5000 m (0 ft to 16404.2 ft)
Humidity	20 % to 95 %	
Storage Humidity	10 % to 95 %	
EMI and Safety Certifications	Worldwide safety standards - IEC60950-1 and IEC62368-1: 2018, EN62368-1:2014+A11, UL62368-1 Agency approvals - C-UL-US, TUV/GS, TUV/PSE, EN55032 Class B, FCC Class B, CISPR32 Class B, CCC and CECP, CU(EAC), EAEU, KCC(Safety+EMC) and K-MEPS, NOM-001 and 029 NYCE, NRcan, NRCS, ISC, SEC, PSB, Argentina S-mark, Australia GEMS and RCM, BIS, BSMI, UAE, UKCA DoC	



65W Gallium Nitride USB-C AC power adapter	Weight (DC Cable Included)	185 g ± 10 g
	Input	100 Vac ~ 240 Vac
	Input Efficiency	USB-C 89.00 % min at 115 Vac/ 230 Vac @ 20.00 V/ 3.25 A
	Input frequency range	47 Hz ~ 63 Hz
	Input AC current	Max 1.60 A at 90 Vac input
	Output	
	Output power	20.00 V / 65.00 W
	DC output	+ 20.00 V
	Hold - up time	5 ms at 115 Vac input
	Output Over Current	5.40 A (max)
	Protection	
	AC Inlet Type	C6
	DC Cable Connector	USB Type-C
	DC Cable Material	Low Halogen
	Connector	
	Connector	C6
	Environmental Design	
	Operating temperature	0°C to 35°C (32°F to 95°F)
	Non - operating(storage) temperature	-20°C to 85°C (-4°F to 185°F)
	Altitude	0 m to 5000 m (0 ft to 16404.2 ft)
Humidity	20 % to 95 %	
Storage Humidity	10 % to 95 %	
EMI and Safety Certifications	Worldwide safety standards - IEC60950-1 and IEC62368-1: 2018, EN62368-1:2014+A11, UL62368-1 Agency approvals - C-UL-US, TUV/GS, TUV/PSE, EN55032 Class B, FCC Class B, CISPR32 Class B, CCC and CECP, CU(EAC), EAEU, KCC(Safety+EMC) and K-MEPS, NOM-001 and 029 NYCE, NRcan, NRCS, ISC, SEC, PSB, Argentina S-mark, Australia GEMS and RCM, BIS, BSMI, UAE, UKCA DoC	



65W Gallium Nitride USB-C AC power adapter	Weight (DC Cable Included)	185 g ± 10 g
	Input	100 Vac ~ 240 Vac
	Input Efficiency	USB-C 89.00 % min at 115 Vac/ 230 Vac @ 20.00 V/ 3.25 A
	Input frequency range	47 Hz ~ 63 Hz
	Input AC current	Max 1.60 A at 90 Vac input
	Output	
	Output power	20.00 V / 65.00 W
	DC output	+ 20.00 V
	Hold - up time	5 ms at 115 Vac input
	Output Over Current	5.40 A (max)
	Protection	
	AC Inlet Type	Foldable for 2 prong
	DC Cable Connector	USB Type-C
	DC Cable Material	Halogen Free
	Connector	
	Connector	Foldable for 2 prong
	Environmental Design	
	Operating temperature	0°C to 35°C (32°F to 95°F)
	Non - operating(storage) temperature	-20°C to 85°C (-4°F to 185°F)
	Altitude	0 m to 5000 m (0 ft to 16404.2 ft)
	Humidity	20 % to 95 %
Storage Humidity	10 % to 95 %	
EMI and Safety Certifications	Worldwide safety standards - IEC60950-1 and IEC62368-1: 2018, EN62368-1:2014+A11, UL62368-1 Agency approvals - C-UL-US, TUV/GS, TUV/PSE, EN55032 Class B, FCC Class B, CISPR32 Class B, CCC and CECP, CU(EAC), EAEU, KCC(Safety+EMC) and K-MEPS, NOM-001 and 029 NYCE, NRcan, NRCS, ISC, SEC, PSB, Argentina S-mark, Australia GEMS and RCM, BIS, BSMI, UAE, UKCA DoC	



65W Gallium Nitride USB-C AC power adapter	Weight (DC Cable Included)	185 g ± 10 g
	Input	100 Vac ~ 240 Vac
	Input Efficiency	USB-C 89.00 % min at 115 Vac/ 230 Vac @ 20.00 V/ 3.25 A
	Input frequency range	47 Hz ~ 63 Hz
	Input AC current	Max 1.60 A at 90 Vac input
	Output	
	Output power	20.00 V / 65.00 W
	DC output	+ 20.00 V
	Hold - up time	5 ms at 115 Vac input
	Output Over Current	5.50 A (max)
	Protection	
	AC Inlet Type	Fixed 2 Prong
	DC Cable Connector	USB Type-C
	DC Cable Material	Halogen Free
	Connector	
	Connector	Fixed 2 Prong
	Environmental Design	
	Operating temperature	0°C to 35°C (32°F to 95°F)
	Non - operating(storage) temperature	-20°C to 85°C (-4°F to 185°F)
	Altitude	0 m to 5000 m (0 ft to 16404.2 ft)
	Humidity	20 % to 95 %
Storage Humidity	10 % to 95 %	
EMI and Safety Certifications	Worldwide safety standards - IEC60950-1 and IEC62368-1: 2018, EN62368-1:2014+A11, UL62368-1 Agency approvals - C-UL-US, TUV/GS, TUV/PSE, EN55032 Class B, FCC Class B, CISPR32 Class B, CCC and CECP, CU(EAC), EAEU, KCC(Safety+EMC) and K-MEPS, NOM-001 and 029 NYCE, NRcan, NRCS, ISC, SEC, PSB, Argentina S-mark, Australia GEMS and RCM, BIS, BSMI, UAE, UKCA DoC	



65W Gallium Nitride USB-C AC power adapter	Weight (DC Cable Included)	185 g ± 10 g
	Input	100 Vac ~ 240 Vac
	Input Efficiency	USB-C 89.00 % min at 115 Vac/ 230 Vac @ 20.00 V/ 3.25 A
	Input frequency range	47 Hz ~ 63 Hz
	Input AC current	Max 1.60 A at 90 Vac input
	Output	
	Output power	20.00 V / 65.00 W
	DC output	+ 20.00 V
	Hold - up time	5 ms at 115 Vac input
	Output Over Current	5.40 A (max)
	Protection	
	AC Inlet Type	Foldable for 2 prong
	DC Cable Connector	USB Type-C
	DC Cable Material	Halogen Free
	Connector	
	Connector	Foldable for 2 prong
	Environmental Design	
	Operating temperature	0°C to 35°C (32°F to 95°F)
	Non - operating(storage) temperature	-20°C to 85°C (-4°F to 185°F)
	Altitude	0 m to 5000 m (0 ft to 16404.2 ft)
	Humidity	20 % to 95 %
Storage Humidity	10 % to 95 %	
EMI and Safety Certifications	Worldwide safety standards - IEC60950-1 and IEC62368-1: 2018, EN62368-1:2014+A11, UL62368-1 Agency approvals - C-UL-US, TUV/GS, TUV/PSE, EN55032 Class B, FCC Class B, CISPR32 Class B, CCC and CECP, CU(EAC), EAEU, KCC(Safety+EMC) and K-MEPS, NOM-001 and 029 NYCE, NRcan, NRCS, ISC, SEC, PSB, Argentina S-mark, Australia GEMS and RCM, BIS, BSMI, UAE, UKCA DoC	



Battery

Battery is internal and replaceable by customer. Serviceable by warranty.

PM 68Whr Long Life Polymer	Weight	236 g ± 10 g (0.52 lb)
Fast charge 3 cell Battery	Cells / Type	3 cell Lithium-Ion Polymer /
	Energy	
	Voltage	11.67 V
	Amp - hour capacity	5.830 Ah
	Watt - hour capacity	68Wh.0.00 Wh
	Temperature	
	Operating (Charging)	0°C to 45°C (32°F to 113°F)
	Operating (Discharging)	-10°C to 65°C (14°F to 149°F)
	Optional Travel Battery Available	No
RX 56Whr Long Life Polymer	Weight	207 g ± 10 g (0.46 lb)
Fast Charge 3 cell Battery	Cells / Type	3 cell Lithium-Ion Polymer / 586075
	Energy	
	Voltage	11.58 V
	Amp - hour capacity	4.848 Ah
	Watt - hour capacity	56Wh.0.00 Wh
	Temperature	
	Operating (Charging)	0°C to 45°C (32°F to 113°F)
	Operating (Discharging)	-10°C to 65°C (14°F to 149°F)
	Optional Travel Battery Available	No



AUDIO

Codec	Realtek ALC3247
Audio I/O Ports	3.5mm Headset: CTIA only; Headphone-out
Multi-streaming Capable	Playback multi-streaming can be enabled in the audio control panel to allow independent audio streams to be sent to/from the front jacks or integrated speaker. Following Microsoft behavior.
Sampling	DAC: Supports resolutions from 16-bit to 24-bit;48.0 kHz to 48.0 kHz ADC: Supports resolutions from 16-bit to 24-bit;44.1 kHz to 48.0 kHz
Internal Speaker	Yes



FINGERPRINT READER

Sensor vendor	Synaptics
Sensor type	Capacitive
DPI resolution	363 DPI
Scan area	104 x 86 pixels
False Rejection Rate	< 3%
False Acceptance Rate	< 0.002%
Mobile Voltage Operation	2.7 V ~ 3.6 V
Operating Temperature	-20°C ~ 85°C (-4°F ~ 185°F)
Current Consumption Image	100 mA max
Low Latency Wait For Finger	50 uA
Capture Rate	58 frames/sec
ESD Resistance	IEC 61000-4-2 4B (+15KV)
Detection Matrix	363 dpi / 6.0 x 7.4 mm sensor area

Sensor vendor	ELAN
Sensor type	Capacitive
DPI resolution	508 DPI
Scan area	80 x 80 pixels
False Rejection Rate	< 3%
False Acceptance Rate	< 0.001%
Mobile Voltage Operation	2.8 V ~ 3.6 V
Operating Temperature	-20°C ~ 80°C (-4°F ~ 176°F)
Current Consumption Image	120 mA max
Low Latency Wait For Finger	300 uA
Capture Rate	30 frames/sec
ESD Resistance	IEC 61000-4-2 4B (+15KV)
Detection Matrix	508 dpi / 4.0 x 4.0 mm sensor area



OPTIONS

Container Name	Description	Part Number
Adapters	HP 240W Thunderbolt 4 Cable	BR1W8AA
	HP HDMI to VGA Adapter	H4F02AA
	HP USB 3.0 to Gigabit RJ45 Adapter G2	4Z7Z7AA
	HP USB-C to DisplayPort Adapter G2	8Y8Y1AA
	HP USB-C to HDMI 2.0 Adapter	1WC36AA
	HP USB-C to RJ45 Adapter G2	4Z527AA
	HP USB-C to USB 3.0 Adapter	N2Z63AA
	HP USB-C to VGA Adapter	N9K76AA
Audio - Earbuds	Poly Voyager Free 60+ Carbon Black Earbuds	7Y8G4AA
	Poly Voyager Free 60+ Carbon Black Earbuds	7Y8H0AA
Audio - Headset	HP Poly Focus 620 Fold Headset + Wireless Charge Stand	C56XZAA
	HP Poly Focus 620 Fold Stereo Bluetooth Headset	C56XSAA
	HP Poly Focus 620 Headset + Wireless Charge Stand	C56XXAA
	HP Poly Focus 625 Stereo Bluetooth Headset	C56XPAA
	HP Poly Mission 415 Monaural USB Wired Headset Classic	C01A9AA
	HP Poly Mission 425 Stereo USB Wired Headset Classic	C01B3AA
	HP Poly Mission 615 Monaural	C01F4AA
	HP Poly Mission 615 Monaural USB Wired Headset	C01C3AA
	HP Poly Mission 625 Stereo	C01F6AA
	HP Poly Mission 625 Stereo USB Wired Headset	C01C6AA
	HP Poly Mission 815 Monaural USB Wired Headset	C01F8AA
	HP Poly Mission 825 Stereo USB Wired Headset	C01FCAA
	HP USB G2 Stereo Headset	428K6AA
	Poly Blackwire 3210 Monaural USB-C Headset	8X214AA
	Poly Blackwire 3215 Monaural USB-C Headset	8X227AA
	Poly Blackwire 3220 Stereo USB-C Headset	8X228AA
	Poly Blackwire 3225 Stereo USB-C Headset	8X229AA
	Poly Blackwire 3310 Monaural USB-C Headset	8X215AA
	Poly Blackwire 3310 Monaural USB-C Headset	8X216AA
	Poly Blackwire 3315 Monaural USB-C Headset	8X217AA



Poly Blackwire 3315 Monaural USB-C Headset	8X218AA
Poly Blackwire 3320 Stereo USB-C Headset	8X219AA
Poly Blackwire 3320 Stereo USB-C Headset	8X220AA
Poly Blackwire 3325 Stereo USB-C Headset	8X221AA
Poly Blackwire 3325 Stereo USB-C Headset	8X222AA
Poly Blackwire 5210 Monaural USB-C Headset	8X230AA
Poly Blackwire 5220 Stereo USB-C Headset	8X231AA
Poly Blackwire 8225 Stereo USB-C Headset	8X223AA
Poly Blackwire 8225 Stereo USB-C Headset	8X225AA
Poly EncorePro 320 Binaural Headset	77T26AA
Poly EncorePro 510 Monaural Headset	783Q2AA
Poly EncorePro 510 Monoaural Headset	783Q1AA
Poly EncorePro 520 Binaural Headset	783P6AA
Poly EncorePro 520 Binaural Headset	783P7AA
Poly EncorePro 530 Discreet Headset	783P2AA
Poly EncorePro 530 Headset	783P3AA
Poly EncorePro 540 Convertible Headset	783P0AA
Poly EncorePro 540 Convertible Headset	783P1AA
Poly EncorePro 720 Binaural Headset	8R707AA
Poly EncorePro HW710 Single Ear Headset	8R708AA
Poly EncorePro Monoaural 310 Headset	77T43AA
Poly EncorePro Monoaural 515 with USB-A Headset	783R0AA
Poly EncorePro Monoaural 515 with USB-A Headset	783R1AA
Poly EncorePro Stereo 525 with USB-A Headset	783R2AA
Poly EncorePro USB-A Monoaural 715 Headset	783N5AA
Poly EncorePro USB-A Stereo 525 Headset	783R3AA
Poly EncorePro USB-A Stereo 725 Headset	783M6AA
Poly EncorePro USB-C Monoaural 310 Headset	760Q8AA
Poly Savi 7310 DECT 1880-1900 MHz Single Ear Headset	8D3G3AA
Poly Savi 7310 Monaural DECT 1880-1900 MHz Headset	8L561AA
Poly Savi 7310 Monaural DECT 1880-1900 MHz Headset	8L575AA
Poly Savi 7310 Monaural DECT 1920-1930 MHz Headset	7S430AA
Poly Savi 7310 Monaural DECT 1920-1930 MHz Headset	8L570AA



Poly Savi 7310 Monaural DECT 1920-1930 MHz Headset	8L585AA
Poly Savi 7310-M DECT 1880-1900 MHz Single Ear Headset	8D3K7AA
Poly Savi 7310-M DECT 1920-1930 MHz Single Ear Headset	7S439AA
Poly Savi 7320 Stereo DECT 1880-1900 MHz Headset	8D3F7AA
Poly Savi 7320 Stereo DECT 1880-1900 MHz Headset	8L545AA
Poly Savi 7320 Stereo DECT 1880-1900 MHz Headset	8L553AA
Poly Savi 7320 Stereo DECT 1893-1906 MHz Headset	8D3F8AA
Poly Savi 7320 Stereo DECT 1893-1906 MHz Headset	8L546AA
Poly Savi 7320 Stereo DECT 1893-1906 MHz Headset	8L555AA
Poly Savi 7320 Stereo DECT 1910-1920 MHz Headset	8D3G0AA
Poly Savi 7320 Stereo DECT 1920-1930 MHz Headset	7S429AA
Poly Savi 7320 Stereo DECT 1920-1930 MHz Headset	8L549AA
Poly Savi 7320 Stereo DECT 1920-1930 MHz Headset	8L559AA
Poly Savi 7320-M Stereo DECT 1880-1900 MHz Headset	8D3J6AA
Poly Savi 7320-M Stereo DECT 1893-1906 MHz Headset	8D3K2AA
Poly Savi 7320-M Stereo DECT 1910-1920 MHz Headset	8D3K0AA
Poly Savi 7320-M Stereo DECT 1920-1930 MHz Headset	7S435AA
Poly Savi 8210 DECT 1880-1900 MHz USB-A Headset	8D3E9AA
Poly Savi 8210 DECT 1880-1900 MHz USB-A Headset	8D3F1AA
Poly Savi 8210 DECT 1920-1930 MHz USB-A Headset	77T29AA
Poly Savi 8210 DECT 1920-1930 MHz USB-A Headset	77T31AA
Poly Savi 8220 DECT 1880-1900 MHz USB-A Headset	8D3F2AA
Poly Savi 8220 DECT 1880-1900 MHz USB-A Headset	8D3F5AA
Poly Savi 8220 DECT 1920-1930 MHz USB-A Headset	77T33AA
Poly Savi 8220 DECT 1920-1930 MHz USB-A Headset	77Y82AA
Poly Savi 8220 Stereo DECT 1880-1900 MHz Top	8Y9C4AA
Poly Savi 8245 DECT 1880-1900 MHz Headset	8D3H2AA
Poly Savi 8245 DECT 1880-1900 MHz USB-A Headset	8D3F4AA
Poly Savi 8410 Monaural DECT 1880-1900 MHz Headset	8L5A7AA
Poly Savi 8410 Monaural DECT 1880-1900 MHz Headset	8L5A9AA
Poly Savi 8410 Monaural DECT 1920-1930 MHz Headset	8L7E6AA



Poly Savi 8410 Monaural DECT 1920-1930 MHz Headset	8L7E9AA
Poly Savi 8420 Stereo DECT 1880-1900 MHz Headset	8L5B2AA
Poly Savi 8420 Stereo DECT 1880-1900 MHz Headset	8L5B3AA
Poly Savi 8420 Stereo DECT 1920-1930 MHz Headset	8L7F2AA
Poly Savi 8420 Stereo DECT 1920-1930 MHz Headset	8L7F5AA
Poly Savi 8445 DECT 1880-1900 MHz Convertible Headset	8L5B4AA
Poly Savi 8445 DECT 1880-1900 MHz Convertible Headset	8L5B6AA
Poly Savi 8445 DECT 1920-1930 MHz Convertible Headset	8L7F1AA
Poly Savi 8445 DECT 1920-1930 MHz Convertible Headset	8L7F8AA
Poly Voyager 4310 Headset	77Y93AA
Poly Voyager 4310 Monaural Headset	77Y92AA
Poly Voyager 4310 USB-A Headset	76U48AA
Poly Voyager 4310 USB-A Headset	77Y91AA
Poly Voyager 4310 USB-C Headset	77Y94AA
Poly Voyager 4310 USB-C Headset	77Y95AA
Poly Voyager 4310 USB-C Headset	77Y96AA
Poly Voyager 4310-M USB-C Headset	77Y97AA
Poly Voyager 4320 Headset	77Z00AA
Poly Voyager 4320 Stereo USB-A Headset	77Y99AA
Poly Voyager 4320 USB-A Headset	76U49AA
Poly Voyager 4320 USB-A Headset	77Y98AA
Poly Voyager 4320 USB-C Headset	76U50AA
Poly Voyager 4320 USB-C Headset	77Z30AA
Poly Voyager 4320 USB-C Headset	77Z31AA
Poly Voyager 4320-M Headset	77Z32AA
Poly Voyager Focus 2 USB-C-C Headset	9T9J3AA
Poly Voyager Focus 2 USB-C-C Headset	9T9J5AA
Poly Voyager Focus 2 USB-C-C Headset	9T9J6AA
Poly Voyager Legend 50 Headset UC	AT9M9AA,AT9M9UT



	Poly Voyager Legend 50-M Headset UC	AJ8V4AA,AJ8V4UT
	Poly Voyager Surround 80 USB-C Headset	8G7T9AA
	Poly Voyager Surround 80 USB-C Headset	8G7U0AA
	Poly Voyager Surround 85 USB-C Headset	8G7T7AA
	Poly Voyager Surround 85 USB-C Headset	8G7T8AA
Audio - Speaker phone	Poly Sync 10 Speakerphone	77P34AA
	Poly Sync 20 Speakerphone USB-C/A Adapter	B95VJUT
	Poly Sync 20+ Speakerphone	B95VKAA
	Poly Sync 20+M Speakerphone USB-C/A Adapter	B95VLAA
	Poly Sync 20-M Speakerphone USB-C/A Adapter	B95VMUT
	Poly Sync 40 Speakerphone	77P35AA
	Poly Sync 40+ USB-A USB-C Speakerphone	77P36AA
	Poly Sync 40+ USB-A USB-C Speakerphone	772C5AA
	Poly Sync 60 Speakerphone	772C2AA
	Poly Sync 60 Speakerphone	77P41AA
	Poly Sync USB-A USB-C 10 Speakerphone	772C3AA
	Poly Sync USB-A USB-C 40 Speakerphone	772C4AA
	HP USB-A 325 Webcam	53X27AA,53X27UT
Cases	HP Campus Core 16 blue Laptop Backpack	B9RB4AA
	HP Campus Core 16 green Laptop Backpack	B9RB5AA
	HP Campus XL Marble Stone Backpack	7K0E2AA
	HP Campus XL Tie Dye Backpack	7K0E3AA
	HP Convertible Laptop Stand	9C2H2AA
	HP Everyday 16 odyssey gray Laptop Backpack	A08KLUT
	HP Everyday 16 odyssey gray Laptop Bag	A08KKAA
	HP Everyday 16 odyssey gray Laptop Briefcase	A08KHUT
	HP Renew Business 17.3 Laptop Backpack	3E2U5UT
	HP Renew Business 17.3 Laptop Bag	3E2U6AA
	HP Renew Executive 16 Laptop Backpack	6B8Y1UT
	HP Renew Executive 16 Laptop Bag	6B8Y2AA
	HP Travel Plus 22 Liter 16 Laptop Bag	A2CE1AA
	HP Travel Plus 30 Liter 17 Laptop Backpack	A2CE0AA
Commodity	HP USB DVD-Writer External ODD	F2B56AA



	HP 16-inch Widescreen Laptop Privacy Filter	BH0M5AA
	HP Combination Nano Cable Lock	63B28AA
	HP Essential Combination Nano Cable Lock	63B31AA
	HP Nano Keyed Cable Lock	1AJ39AA
	HP Nano Master Keyed Cable Lock	1AJ40AA
	HP SureKey Standard/Nano/Wedge Cable Lock	6UW42AA
Docking	HP Thunderbolt™ 100W G6 Dock	9X472AA,9X472UT
	HP Thunderbolt™ 180W G6 Dock	9X481AA,9X481UT
	HP Thunderbolt™ 280W G6 Dock	AW5L5AA,AW5M5UT
	HP USB-C™ 100W G6 Dock	9X3V1AA,9X3V1UT
Hub	HP 4K USB-C Multiport Hub	6G843AA
	HP Portable USB-C 4K HDMI Hub	BR1U0UT
	HP Portable USB-C Hub	B8SU8UT
	HP Universal USB-C Hub and Laptop Charger Combo	9H0H9AA
	HP Universal USB-C Multiport Hub	50H55UT
	HP USB-C to USB-A Hub	Z6A00AA
	HP USB-C Travel Hub G3	86S97UT
Keyboard	HP 125 G2 Wired Keyboard	AY2Y7AA
	HP 125 Wired Keyboard	266C9AA
	HP 225 Wireless Keyboard	805T1AA
	HP 320K G2 Wired Keyboard	9SR37UT
	HP 355 Compact Multi-Device Keyboard	692S9AA
	HP 405 Backlit Wired Keyboard	7N7C1AA,7N7C1UT
	HP 435 Programmable Wireless Keypad	7N7C3AA
	HP 475 Dual-Mode Wireless Keyboard	7N7B9AA,7N7B9UT
	HP 485 Comfort Wired Keyboard	8T6M2AA
	HP 495K Multi-Device Keyboard	BD5F5UT
	HP 585K Multi-Device Keyboard with Palm Rest	BD5F7AA
	HP 685 Comfort Dual-Mode Keyboard	8T6L9UT
	HP 725 Multi-Device Rechargeable Wireless Keyboard	9T5B2AA
	HP 965 black Ergonomic Wireless Keyboard	7E756AA
	HP 975 Dual-Mode USB+Bluetooth Wireless Keyboard	3Z726AA
Keyboard & Mouse Combo	HP 225 Wired Mouse and Keyboard Combo G2	AX2Y7AA



Mouse

HP 225 Wired Mouse and Keyboard Combo Cashmere White G2	AW5S6AA
HP 235 Wireless Mouse and Keyboard Combo	1Y4D0UT
HP 685 Comfort Dual-Mode Keyboard and Mouse Combo	8T6L7UT
HP 725 Multi-Device Rechargeable Wireless Keyboard and Mouse Combo	9T5B0UT
HP Multi-Device Dual-Mode Mouse and Keyboard Combo 495C	BE1Q0UT
HP Multi-Device Dual-Mode Mouse and Keyboard Combo 495C White	BE1M6AA
HP Multi-Device Dual-Mode Mouse and Keyboard Combo with Palm Rest 585C	BD5F3AA
HP Wired Desktop 320MK Mouse and Keyboard	9SR36UT
HP 105 Black Wired Mouse	822M9UT
HP 105 Mouse Pad	8X595AA
HP 125 Wired Mouse	265A9UT
HP 128 Laser Wired Mouse	265D9AA
HP 205 Desk Mat	8X597AA
HP 235 Slim Wireless Mouse	4E407UT
HP 245 Black Bluetooth Mouse	81S67AA,81S67UT
HP 255 Dual Wireless Mouse	8R3U1AA,8R3U1UT
HP 285 Silent Wireless Mouse	6G4E6AA
HP 320M Wired Mouse	9VA80AA
HP 405 Quiet Black Wireless Mouse	AZ7B3AA
HP 425 Programmable Wireless Mouse	7M1D5AA
HP 435 Multi-Device Wireless Mouse	3B4Q5UT
HP 515 Ultra-Fast Rechargeable Wireless Mouse	9C2F7AA
HP 685 Comfort Dual-Mode Mouse	8T6M0UT
HP 695 Qi-Charging Wireless Mouse	8F1Y4AA
HP 705 Rechargeable Wireless Mouse	AZ7B1AA
HP 715 Rechargeable Multi-Device Bluetooth Mouse	6E6F0AA
HP 925 Ergonomic Vertical Wireless Mouse	6H1A5AA
HP Tilt Ergonomic Mouse 725M	BH0Z5AA



Power	HP Travel USB Mouse	G1K28AA
	HP Ultra-Fast Scroll Wireless Mouse 785M	B8YX4AA
	HP 110W USB-C Laptop Charger	8B3Y2UT
	HP 140W USB-C Laptop Charger	B7NK0AA
	HP 65W Gallium Nitride USB-C LC Laptop Charger	9Y3X5AA,9Y3X5UT
	HP 65W LC USB-C AC power adapter	1P3K6AA
	HP 65W LC USB-C AC power adapter	AJ7X5AA
	HP 65W Gallium Nitride USB-C Laptop Charger	600Q8UT
	HP 65W USB-C Laptop Charger	671R3UT
	HP 56Wh Replaceable Laptop Battery	BF8G2AA



CHANGELOG

Date of change	Version History		Description of change
March 24, 2026	V1 to V2	Added	Environmental Data Section
April 7, 2026	V2 to V3	Added	Power Section
April 22, 2026	V3 to V4	Updated	Memory Section
May 11, 2026	V4 to V5	Updated	Processor Section

© Copyright 2026 HP Development Company, L.P. The information contained herein is subject to change without notice. The only warranties for HP products and services are set forth in the express warranty statements accompanying such products and services. Nothing herein should be construed as constituting an additional warranty. HP shall not be liable for technical or editorial errors or omissions contained herein.

Intel, Core, Thunderbolt and Intel vPro are trademarks or registered trademarks of Intel Corporation or its subsidiaries in the United States and other countries. DisplayPort™ and the DisplayPort™ logo are trademarks owned by the Video Electronics Standards Association (VESA®) in the United States and other countries. USB Type-C® and USB-C® are trademarks of USB Implementers Forum. ENERGY STAR is a registered trademark of the U.S. Environmental Protection Agency. Microsoft and Windows are either registered trademarks or trademarks of Microsoft Corporation in the United States and/or other countries.

