



MORE INFORMATION



MANUALS

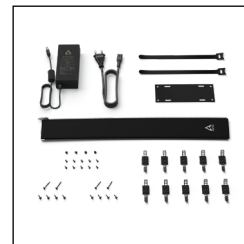


All materials are compatible with RoHS requirements



senza AI 370

Under Desk PC

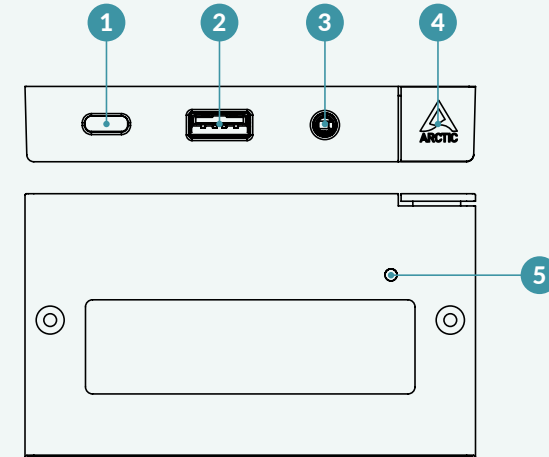


General Specifications

Main Device	536 (L) x 180 (W) x 50 (H) mm
Front Panel	95,6 (L) x 56,3 (W) x 16 (H) mm
Warranty	2 Years
Operating Ambient Temperature	0-40 °C
Weight	2429 g
CPU	AMD Ryzen AI 9 HX 370
Graphics	AMD Radeon 890M (iGPU)
Memory	32 GB LPDDR5X @ 8000 MHz, Dual Channel
Storage	1 TB M.2 NVMe TLC SSD (PCIe 4.0)
Operating System	Preinstalled Windows 11 Pro, Linux Compatible
Wireless	Wi-Fi 7 (2x2) Bluetooth 5.3
LAN	10 / 100 / 1000 / 2500 Mbps (2.5 G LAN)
Audio	2x 3.5 mm TRS Jack 1x 3.5 mm TRRS Jack
USB	2x USB 2.0 Type-A (up to 480 Mbps) 1x USB 3.2 Gen1 Type-A (up to 5 Gbps) 2x USB 3.2 Gen2 Type-A (up to 10 Gbps) 2x USB 4 Type-C* (up to 40 Gbps)
Video	1x HDMI 2.1 (4K @ 120 Hz) 1x DP 2.0 (8K @ 60 Hz) *1x DP over USB-C (8K @ 60 Hz)
Power Supply	19 V DC, 6.3 A, 120 W External

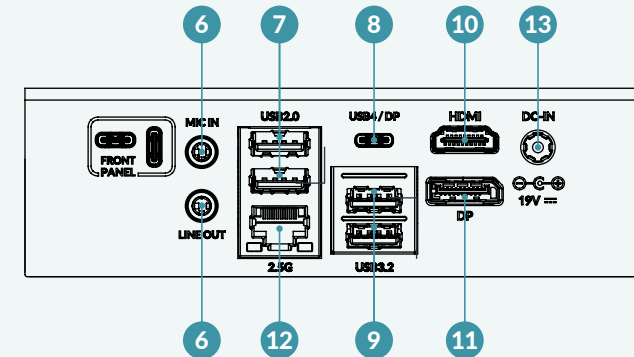
Frontpanel

- 1 USB 4 Type-C
- 2 USB 3.2 Gen1 Type-A
- 3 3.5 mm TRRS Combo Jack
- 4 Power
- 5 Reset

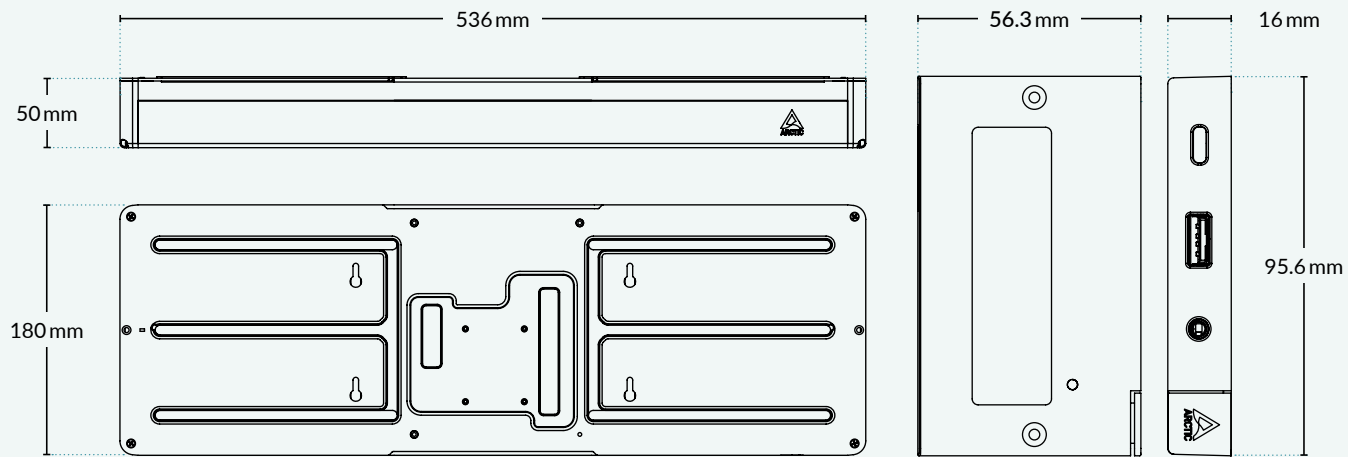


I/O-Panel

- 6 3.5 mm TRS Jack
- 7 USB 2.0
- 8 USB 4 Type-C (DP over USB)
- 9 USB 3.2 Gen2 Type-A
- 10 HDMI 2.1
- 11 DisplayPort 2.0
- 12 RJ45 2.5 G LAN
- 13 DC-in 19 V



Dimensions



Box Content

1x	senza
1x	Power Supply
10x	Cable Management Hook
1x	PSU Holder
1x	Cable Management Sleeve
1x	Mounting Accessories

Shipping Information

Box Dimension	618 (L) x 282 (W) x 120 (H) mm
Gross Weight	4240 g
SKU	ACPCC00021A
EAN	4895265001178
UPC	840033403849