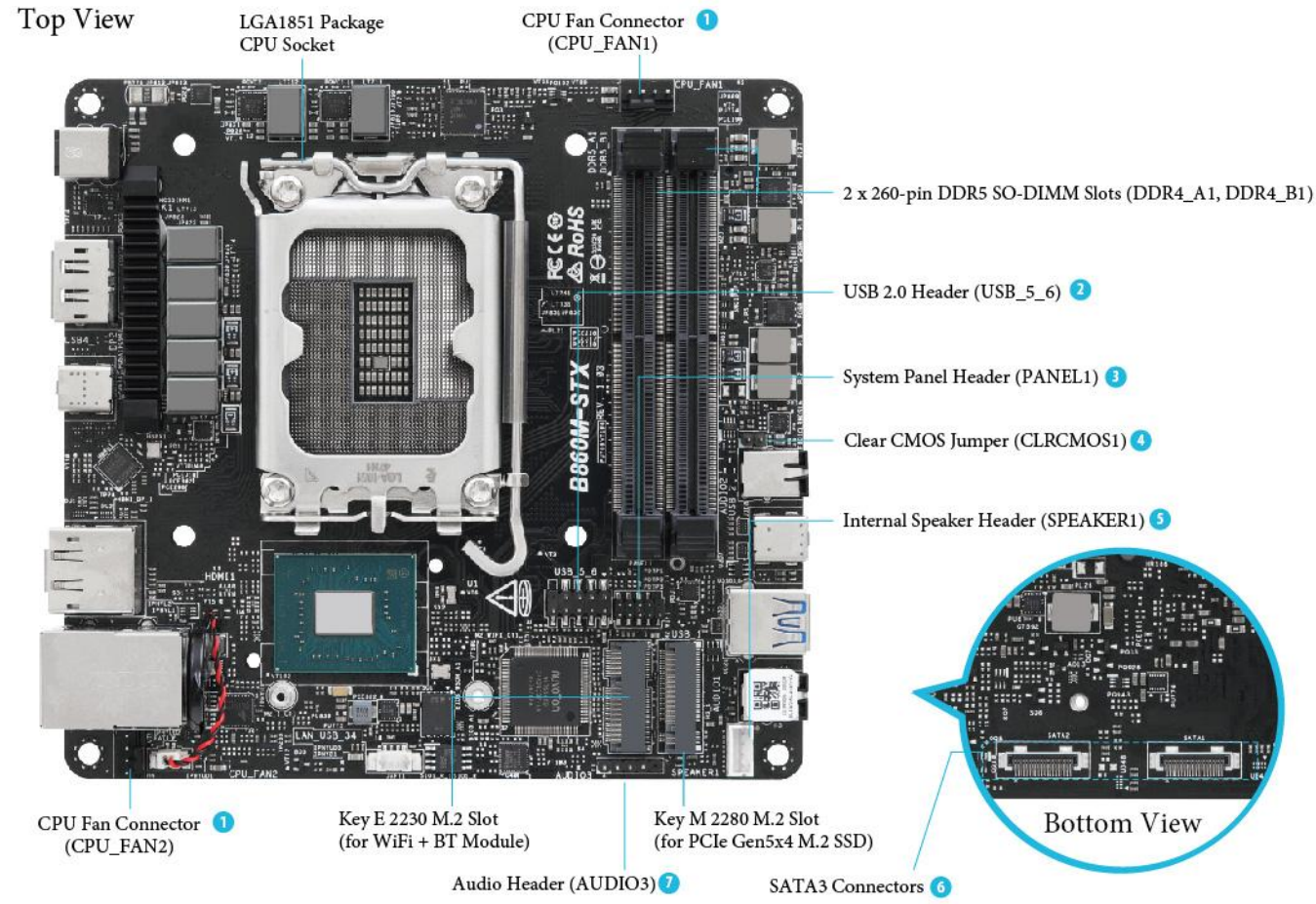


Motherboard Layout 主機板構造圖 / Motherboard-Layout / Carte mère / layout della scheda madre / tarjeta madre / Материнские платы Maker
Disposição da placa-mãe / 메인 보드 레이아웃 / 마ザーボードのレイアウト / 主板构造图



Onboard Connectors 主機板元件 / Onboard-Anschlüsse / Connecteurs à bord / Connettori a bordo / Conectores a bordo / Бортовые соединители
Conectores de bordo / 온보드 커넥터 / 온보드 콘넥타 / 主板组件

1 CPU Fan Connectors

CPU_FAN1

FAN_SPEED_CONTROL	4
CPU_FAN_SPEED	3
FAN_VOLTAGE	2
GND	1

CPU_FAN2

FAN_SPEED_CONTROL	4
CPU_FAN_SPEED	3
FAN_VOLTAGE	2
GND	1

2 USB 2.0 Header (USB_5_6)

USB_PWR	1
GND	2
P+	3
P-	4
DUMMY	5
GND	6
P+	7
P-	8
USB_PWR	9

3 System Panel Header (PANEL1)

PLED+	1
PLED-	2
PWRBTN#	3
GND	4
GND	5
HDLED-	6
HDLED+	7
GND	8
RESET#	9
GND	10

4 Clear CMOS Jumper (CLR_CMOS1)

1	GND
2	SIGNAL

5 Internal Speaker Header (SPEAKER1)

1	Front_L-
2	Front_L+
3	Front_R+
4	Front_R-

6 SATA3 Connectors

Pin	Signal Name	Pin	Signal Name
1	GND	11	N/A
2	LVDS_TX+	12	SV
3	LVDS_TX-	13	SV
4	GND	14	SV
5	GND	15	SV
6	LVDS_RX-	16	SV
7	LVDS_RX+	17	N/A
8	GND	18	GND
9	GND	19	GND
10	GND	20	GND

7 Audio Header (AUDIO3)

1	GND
2	Audio-R
3	Audio-L
4	Jack detect
5	GND

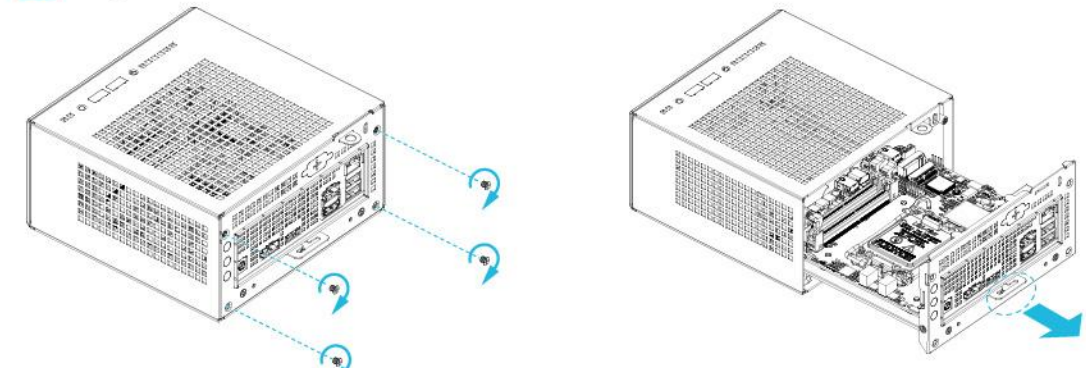
M.2 Sockets

The Blazing M.2 Socket (M2_1, Key M), supports type 2280 PCIe Gen5x4 (128 Gb/s) mode.

The Hyper M.2 Socket (M2_2, Key M) supports type 2280 PCIe Gen4x4 (64 Gb/s) mode.

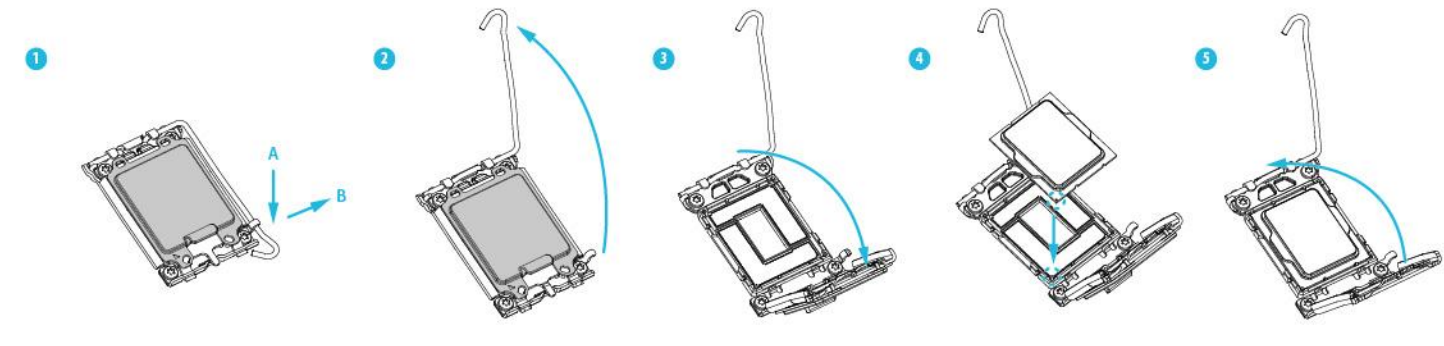
Hardware Installation 硬體安裝 / Hardware-Installation / Installation du matériel / Installazione hardware / Instalación de hardware / Установка оборудования
Instalação de hardware / 하드웨어 설치 / ハードウェアのインストール / 硬件安装

A Begin Installation

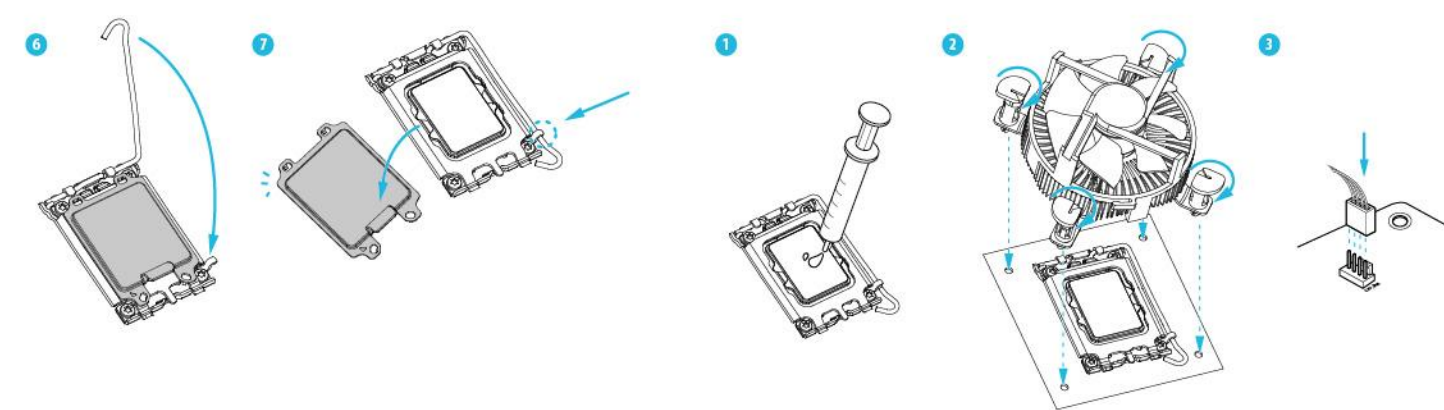


1. Unscrew the four screws of the back panel.
2. Pull out the motherboard tray while holding the handle.

B Installing the CPU

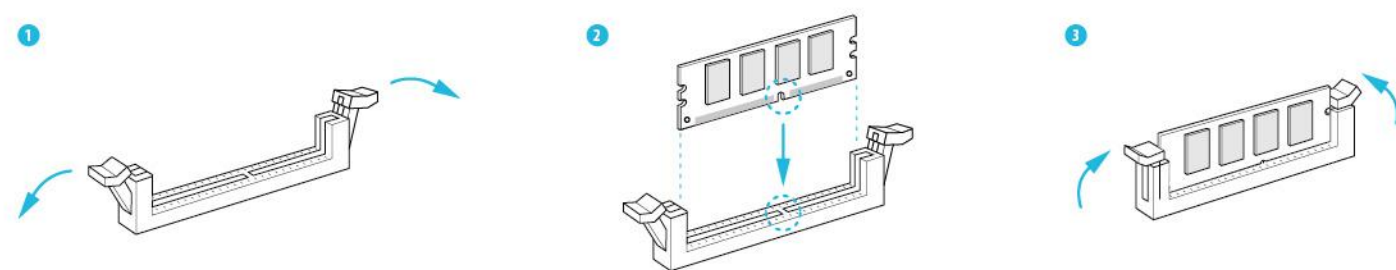


C Installing the CPU Fan and Heatsink



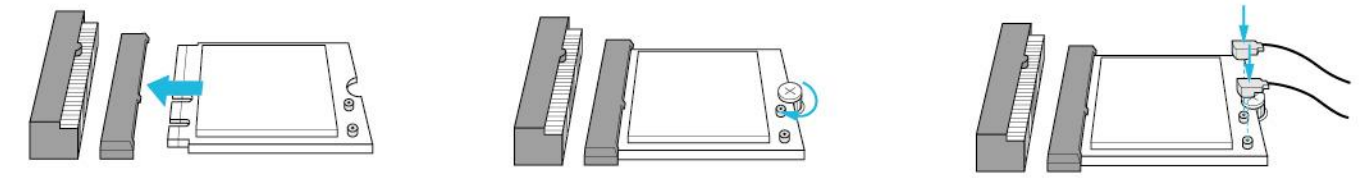
*The DeskMini B860 series supports both Intel CPU Box Fan (65W) and third-party CPU fan cooler. Please note that the DeskMini B860 series chassis has 47mm height limitation for the CPU fan cooler.

D Installing Memory Modules (DDR5 SO-DIMM)



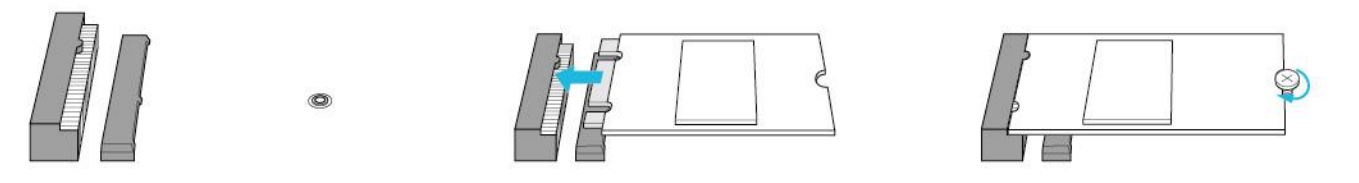
*The DeskMini B860 series requires DDR5 SO-DIMM.
*For dual channel configuration, you always need to install identical (the same brand, speed, size and chip-type) DDR5 SO-DIMM pairs.

E Installing the M.2 WiFi/BT Module and Intel® CNVi (Integrated WiFi/BT)



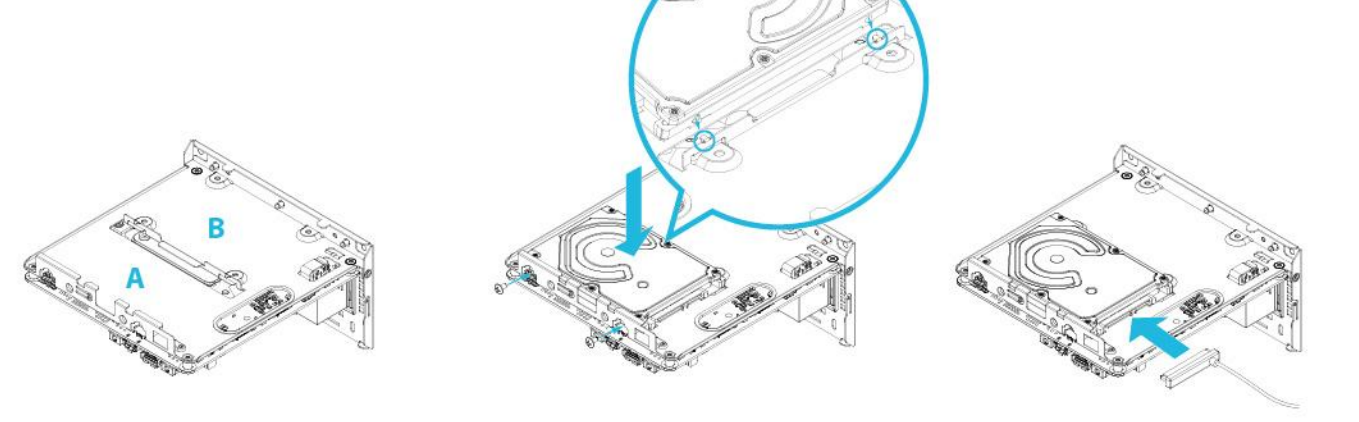
1. Insert the WiFi/BT module or Intel® CNVi (Integrated WiFi/BT) into the M.2 slot.
2. Tighten the screw to secure the module to the motherboard.
3. Attach the SMA Wi-Fi Antenna Cables to the module.

F Installing the Type 2280 M.2 SSD

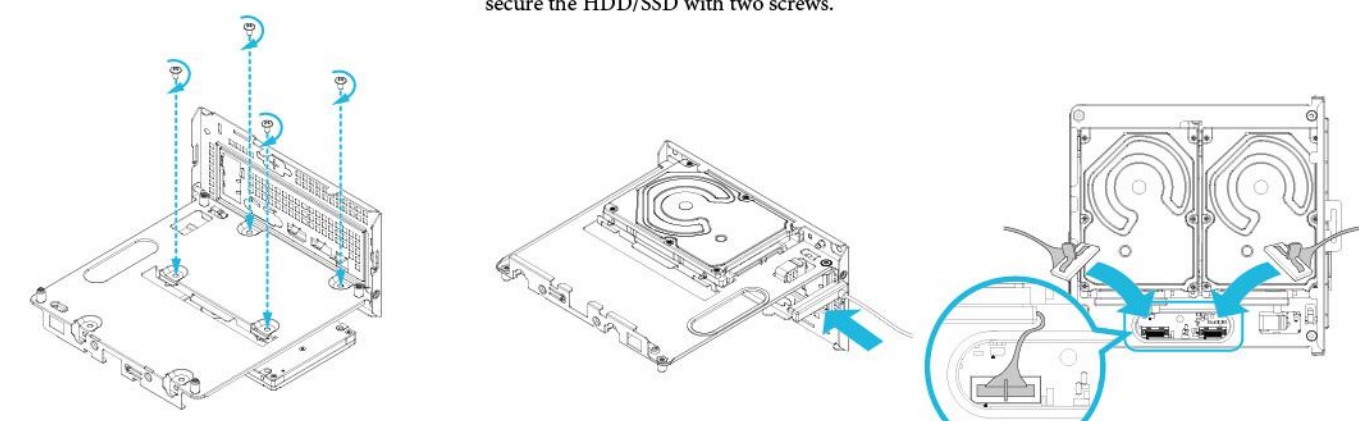


1. Locate the M.2 slot on the motherboard.
2. Carefully insert the M.2 SSD into the slot.
3. Tighten the screw to secure the M.2 SSD to the motherboard.

G Installing the 2.5-inch HDD/SSD



1. Locate the drive mounting trays.
2. Place a HDD/SSD on the tray A shown in Step 1. Align the drive screw holes with those in the drive mounting tray. Then secure the HDD/SSD with two screws.
3. Connect the SATA Data and Power Cable to the HDD/SSD.



4. Place another HDD/SSD on the tray B shown in Step 1. Then turn the motherboard tray upside down and secure the HDD/SSD with the four screws.
5. Connect the SATA Data and Power Cable to the HDD/SSD.
6. Connect the other end of the SATA Cables to the SATA Connectors on the motherboard.

*Removing the motherboard before installing the second HDD/SSD.