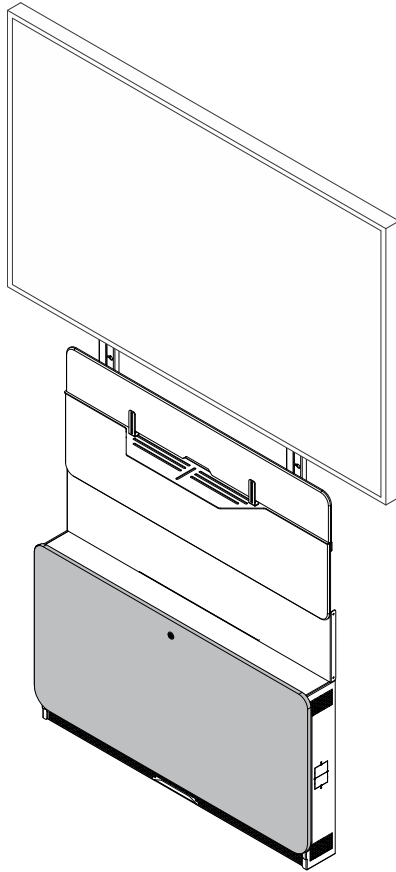

INSTALLATION INSTRUCTIONS



Tempo™ Floor Support Locking Cover

CHIEF®
A brand of **legrand®**

TFSMHB/TFSMHW

DISCLAIMER

Legrand | AV and its affiliated corporations and subsidiaries (collectively "Legrand | AV"), intend to make this manual accurate and complete. However, Legrand | AV makes no claim that the information contained herein covers all details, conditions or variations, nor does it provide for every possible contingency in connection with the installation or use of this product. The information contained in this document is subject to change without notice or obligation of any kind. Legrand | AV makes no representation of warranty, expressed or implied, regarding the information contained herein. Legrand | AV assumes no responsibility for accuracy, completeness or sufficiency of the information contained in this document.

Chief® and Tempo™ are registered trademarks of Legrand AV Inc.

DEFINITIONS

MOUNTING SYSTEM: A MOUNTING SYSTEM is the primary Chief product to which an accessory and/or component and/or another mounting system is attached.

ACCESSORY: AN ACCESSORY is the secondary Chief product which is attached to a primary Chief product, and may have a component attached or setting on it.

COMPONENT: A COMPONENT is an audiovisual item designed to be attached or resting on an accessory or mounting system such as a video camera, CPU, screen, display, projector, etc.



WARNING: A WARNING alerts you to the possibility of serious injury or death if you do not follow the instructions.



CAUTION: A CAUTION alerts you to the possibility of damage or destruction of equipment if you do not follow the corresponding instructions.



IMPORTANT SAFETY INSTRUCTIONS



WARNING: Failure to read, thoroughly understand, and follow all instructions can result in serious personal injury, damage to equipment, or voiding of factory warranty! It is the installer's responsibility to make sure all mounting systems are properly assembled and installed using the instructions provided.



WARNING: Use this mounting system only for its intended use as described in these instructions. Do not use attachments not recommended by the manufacturer.



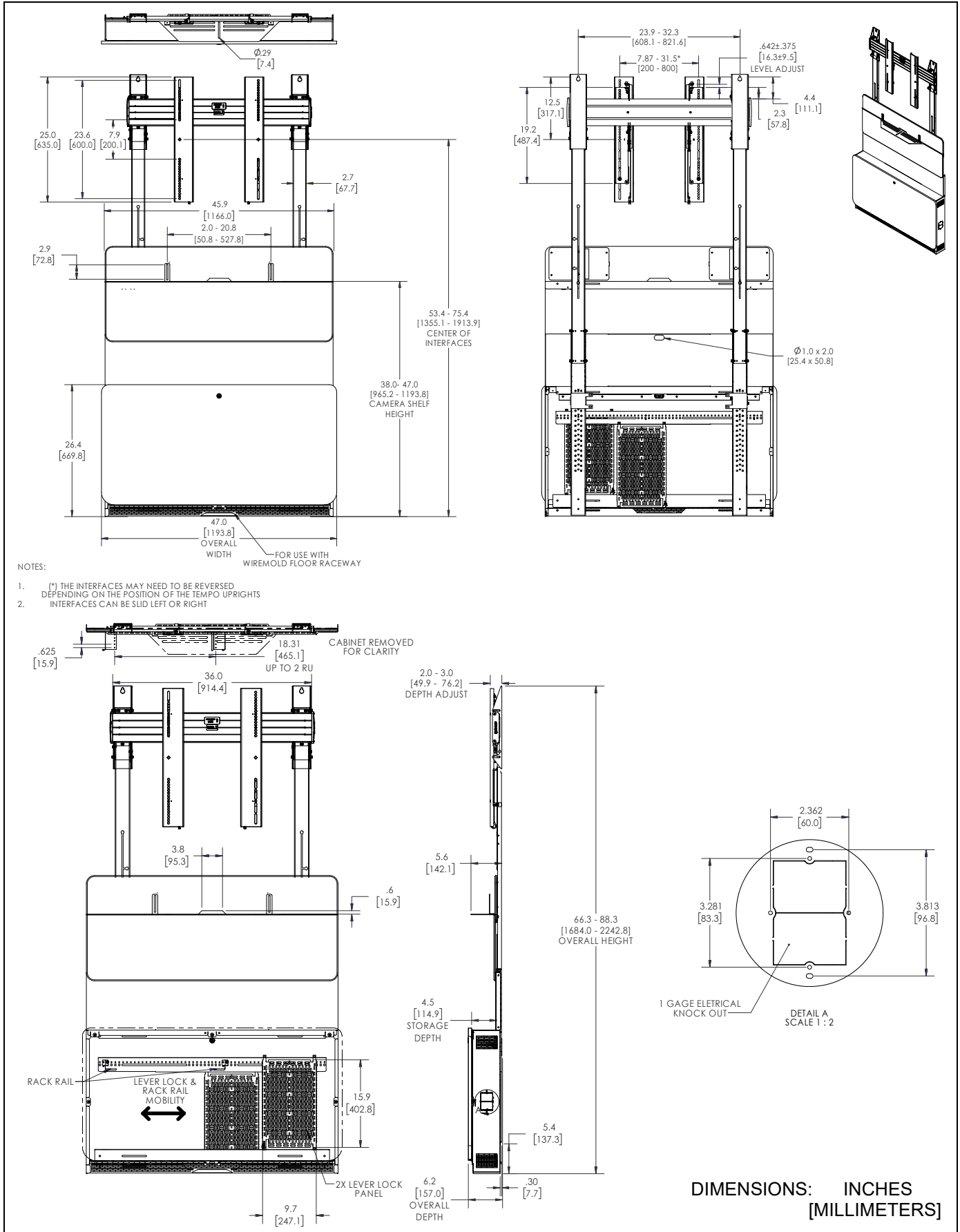
WARNING: Never operate this mounting system if it is damaged. Return the mounting system to a service center for examination and repair.



WARNING: Do not use this mounting system outdoors.

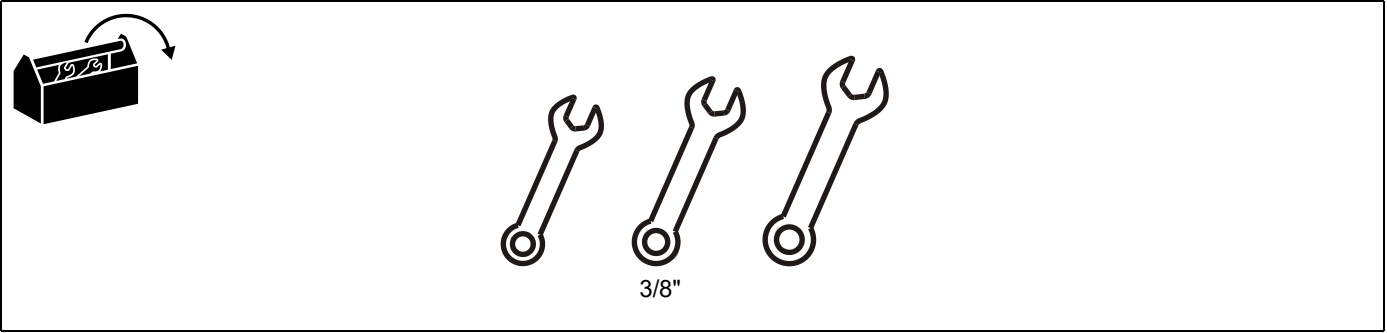
--SAVE THESE INSTRUCTIONS--

DIMENSIONS

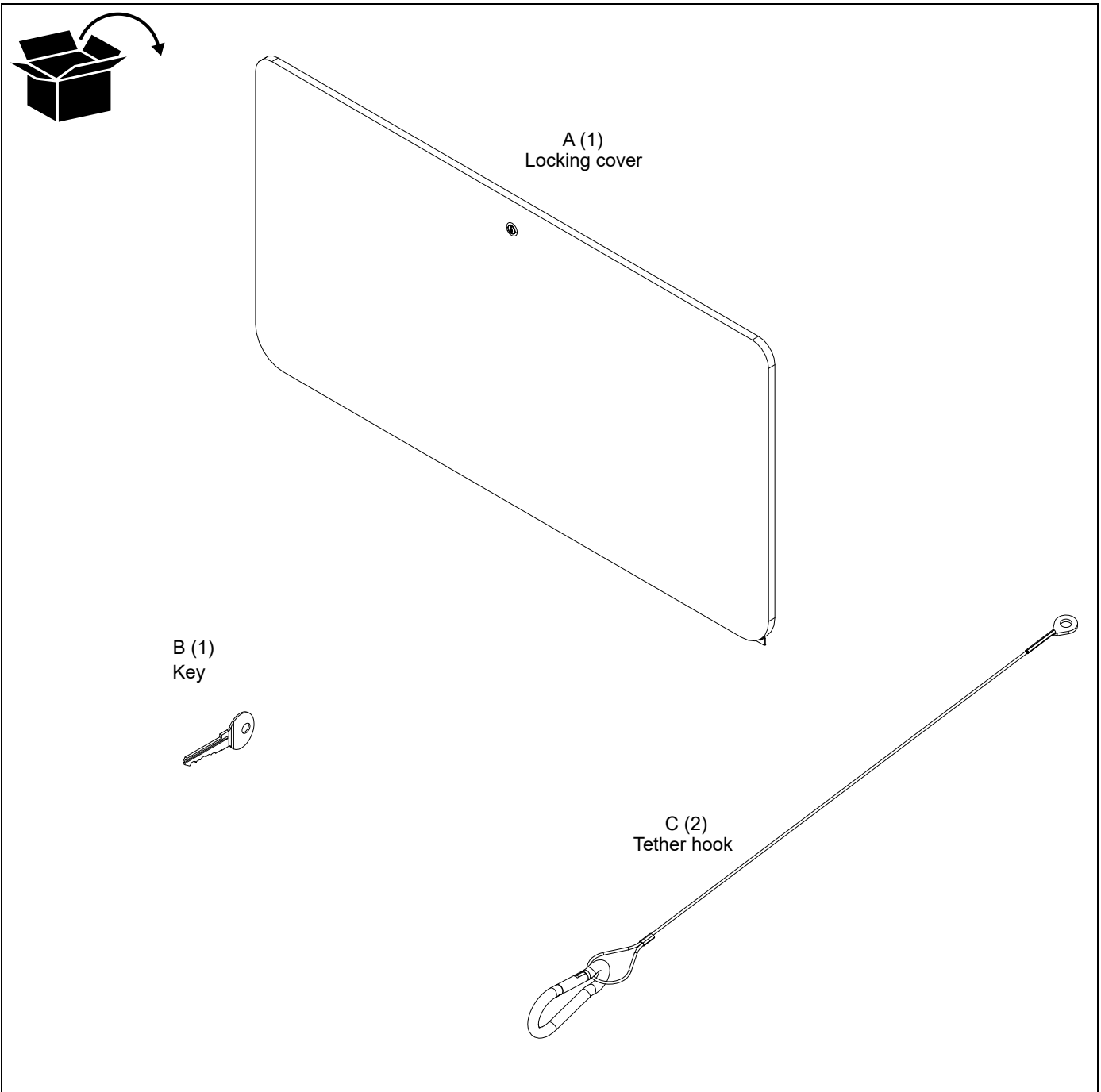


**DIMENSIONS: INCHES
[MILLIMETERS]**

TOOLS REQUIRED FOR INSTALLATION



PARTS



Installation

NOTE: Make sure the center bracket has been uninstalled from the floor cabinet prior to installing the locking cover (A). (See Figure 1)

3. Tilt the bottom edge of the locking cover (A) and rest the bottom edge along the lower outside edge of the floor cabinet. (See Figure 3)

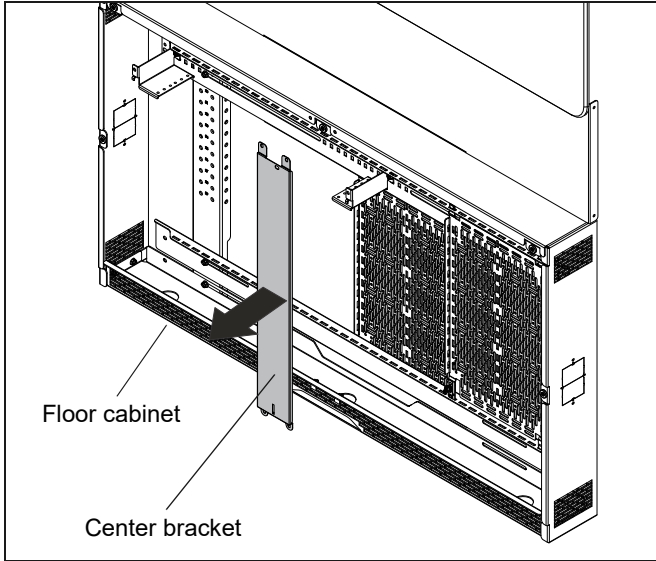


Figure 1

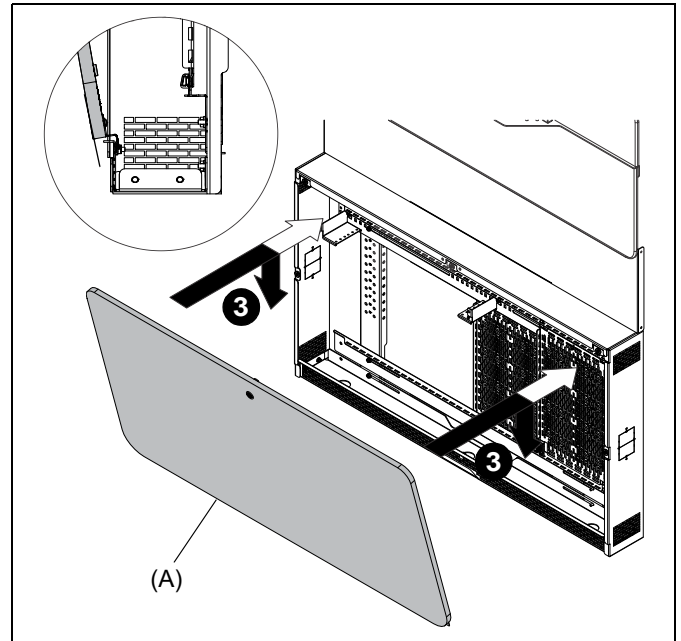


Figure 3

1. Remove the two hex nuts shown from the inside of the floor cabinet (one from each side panel).
2. Insert the eyelets on the ends of the tethers (C) over the exposed screws and reinstall the hex nuts removed in Step 1. (See Figure 2)

4. While holding the locking cover (A) in place, attach the tethers (C) to the open slots on the inside of the locking cover (A). (See Figure 4)

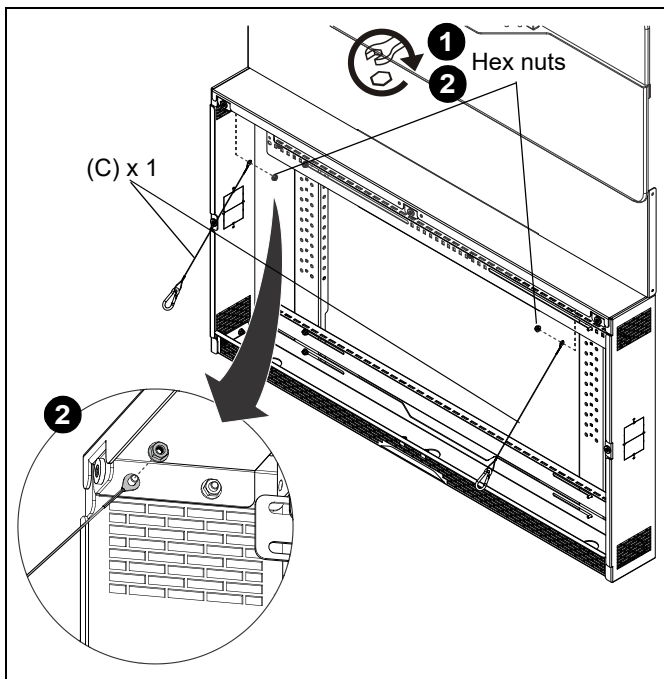


Figure 2

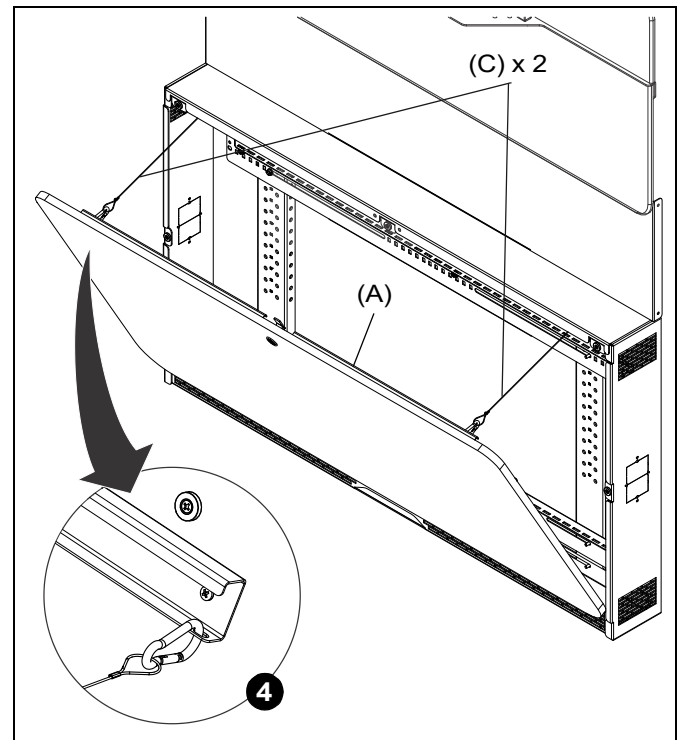


Figure 4

5. Rotate the upper edge of the locking cover (A) up towards the upper front edge of the floor cabinet. (See Figure 5)
6. Use the key (B) to secure the latch on the locking cover (A) to the upper edge of the floor cabinet. (See Figure 5)

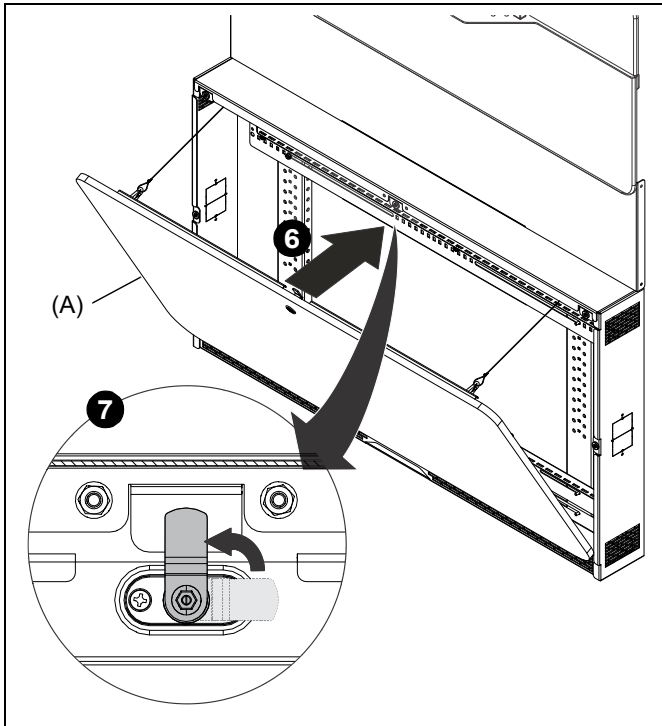


Figure 5

CHIEF®

A brand of  **legrand**

8800-003479 Rev00
©2025 Legrand | AV
www.legrandav.com
10/2025

USA/International	A 6436 City West Parkway, Eden Prairie, MN 55344 P 800.582.6480 / 952.225.6000 F 877.894.6918 / 952.894.6918
Europe	A Franklinstraat 14, 6003 DK Weert, Netherlands P +31 (0) 495 580 852 F +31 (0) 495 580 845
Asia Pacific	A Office No. 918 on 9/F, Shatin Galleria 18-24 Shan Mei Street Fotan, Shatin, Hong Kong P 852 2145 4099 F 852 2145 4477

