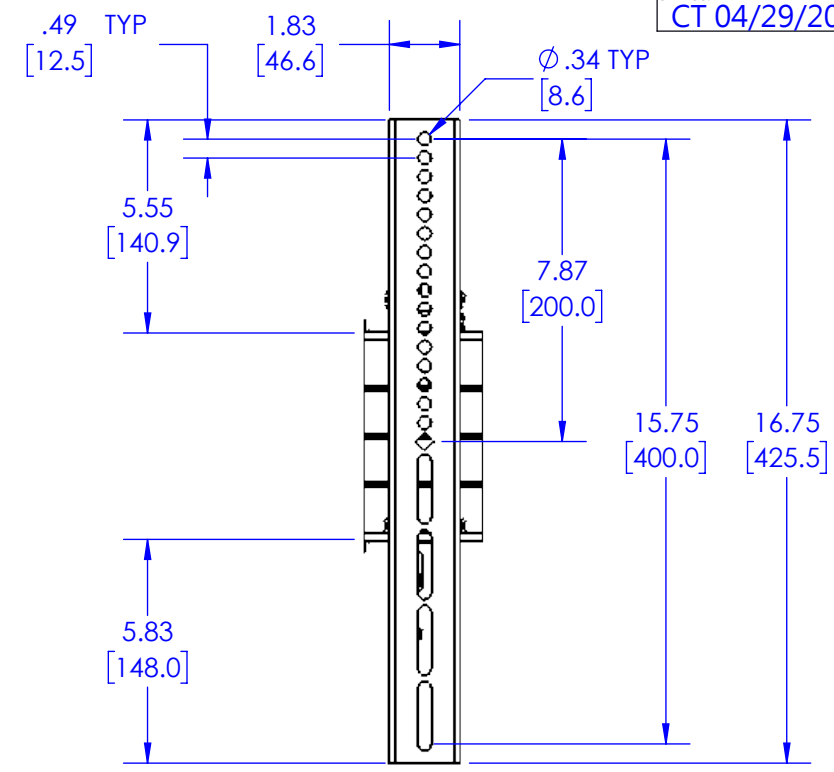
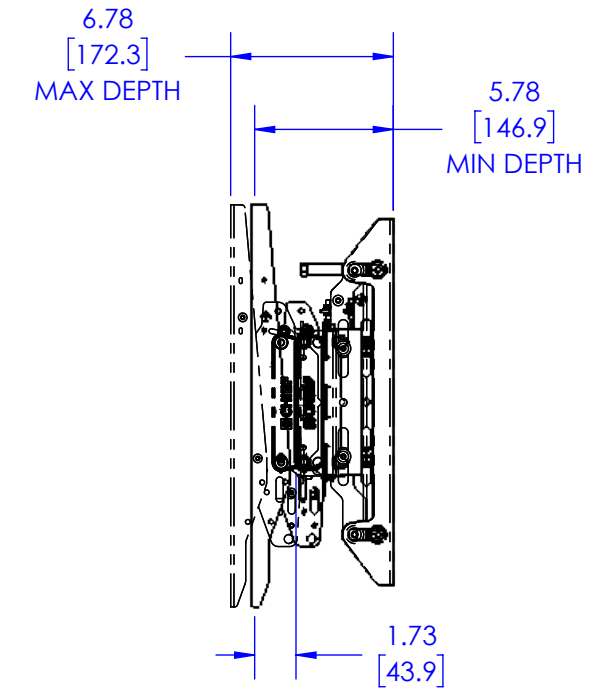
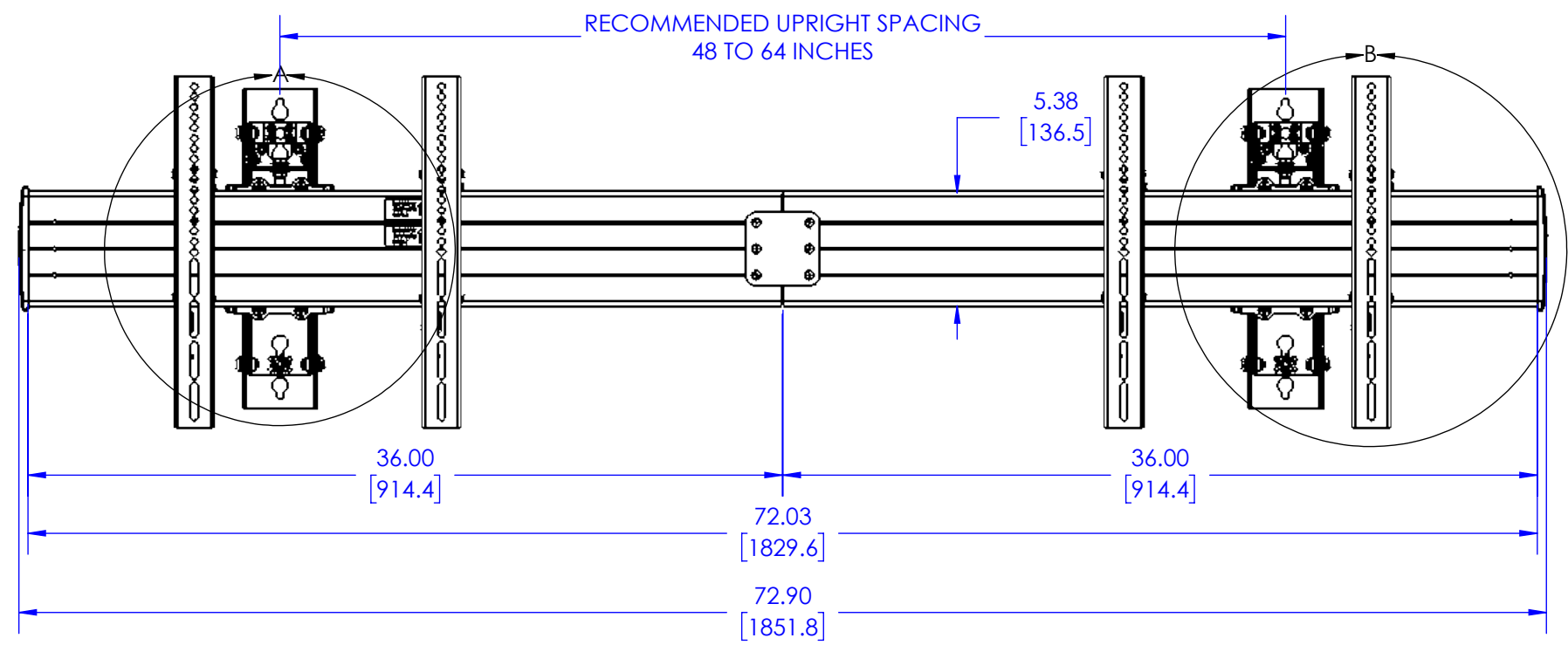
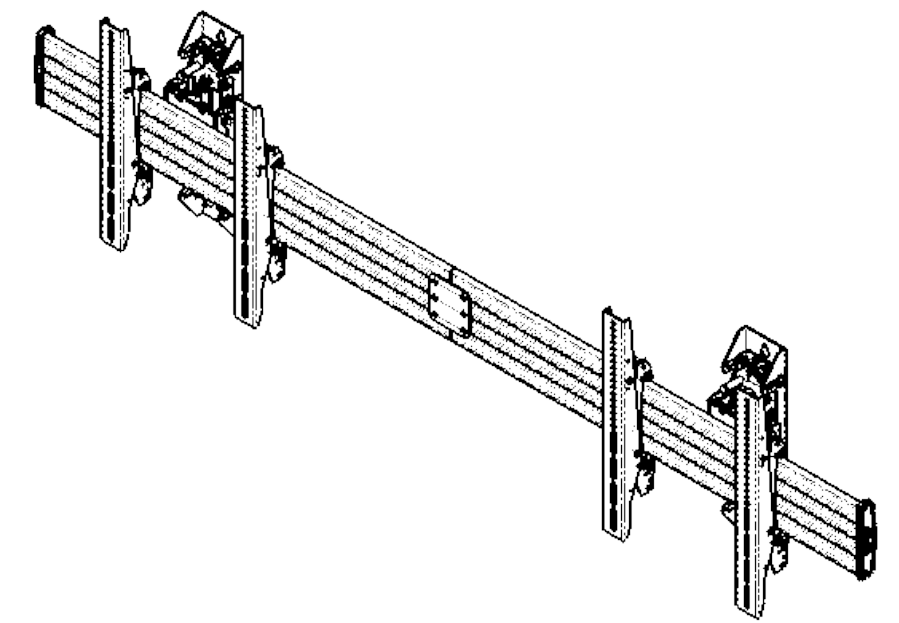


DETAIL A
SCALE 1 : 5



DETAIL B
SCALE 1 : 5



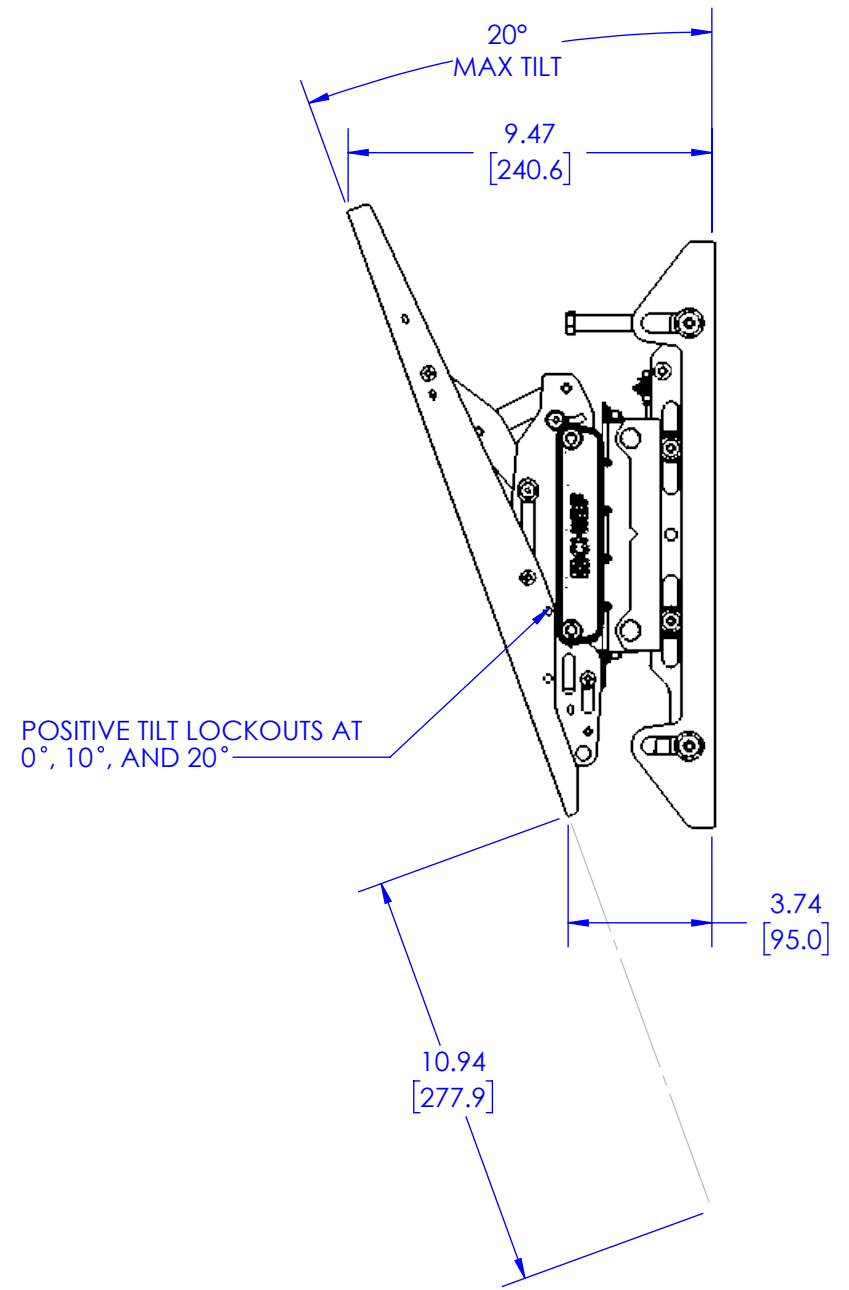
2 WIDE LANDSCAPE					
EXTRUSION LENGTH (IN)	MINIMUM SCREEN WIDTH TO HIDE BAR (IN)	MOUNTING PATTERN WIDTH (MM)	DISTANCE BETWEEN SCREENS (IN)	MAX SCREEN WIDTH (IN)	TOTAL SCREEN WIDTH (IN)
72	36.5	600	0.0625	46.31	92.68
		400		54.19	108.44
		300		58.13	116.32
		200		62.06	124.18

THE INFORMATION AND DESIGNS CONTAINED IN THIS DRAWING ARE CONFIDENTIAL AND THE PROPRIETARY PROPERTY OF LEGRAND | AV. NEITHER THIS DESIGN NOR ANY INFORMATION CONTAINED IN THIS DRAWING MAY BE REPRODUCED OR DISCLOSED TO OTHERS WITHOUT THE EXPRESS WRITTEN CONSENT OF LEGRAND | AV.

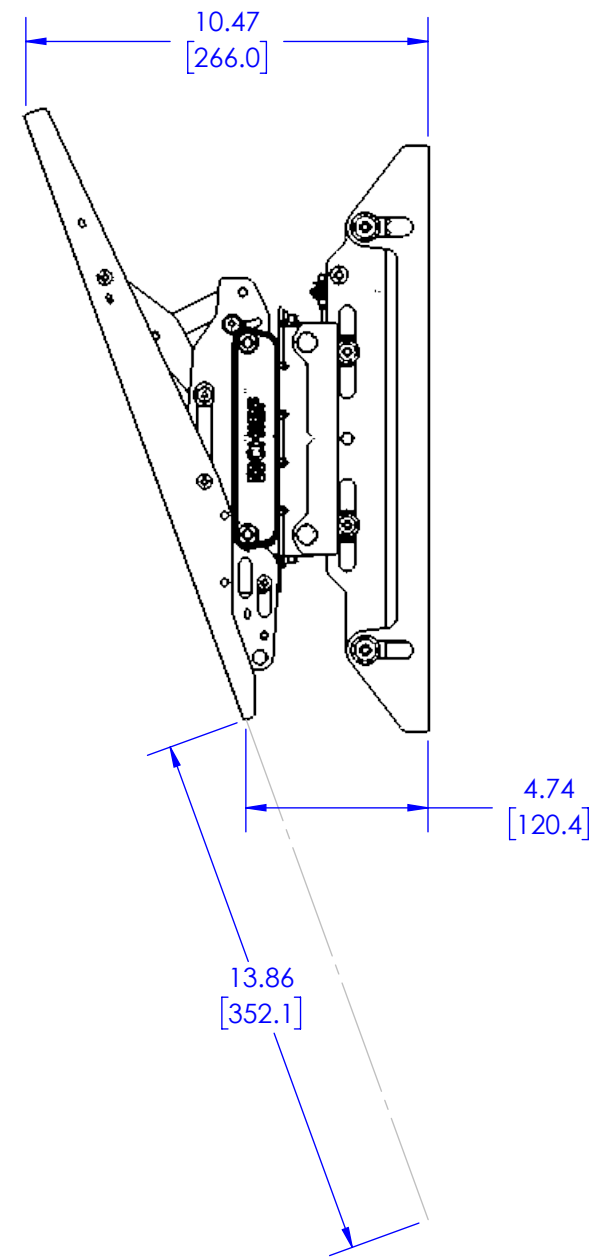
CAD GENERATED DRAWING, DO NOT MANUALLY UPDATE.						6436 CITY WEST PKWY EDEN PRAIRIE MN, 55344 PHONE: 866-977-3901 FAX: 877-894-6918		
DRAWN BY	CT	DATE	11/7/2024	DESCRIPTION				
ENG APPROVAL				MENU-BOARD, WALL MTD, 2 WIDE, LANDS. MOD				
MFG APPROVAL				MODEL NO.				
QA APPROVAL				LWM2X1UM				
SHEET 1 OF 2		SCALE	1:12	SIZE	B	DWG. NO.	TECH-001322	
							REV.	00

NOTE: MOUNT IS SHOWN WITH HEIGHT ADJUST CENTERED

MINIMUM DEPTH



MAXIMUM DEPTH



NOTE: MOUNT IS SHOWN WITH HEIGHT ADJUST CENTERED

THE INFORMATION AND DESIGNS CONTAINED IN THIS DRAWING ARE CONFIDENTIAL AND THE PROPRIETARY PROPERTY OF LEGRAND | AV. NEITHER THIS DESIGN NOR ANY INFORMATION CONTAINED IN THIS DRAWING MAY BE REPRODUCED OR DISCLOSED TO OTHERS WITHOUT THE EXPRESS WRITTEN CONSENT OF LEGRAND | AV.

CAD GENERATED DRAWING, DO NOT MANUALLY UPDATE.					6436 CITY WEST PKWY EDEN PRAIRIE, MN, 55344 PHONE: 866-977-3901 FAX: 877-894-6918	
DRAWN BY	CT	11/7/2024	DESCRIPTION			
ENG APPROVAL			MENU-BOARD, WALL MTD, 2 WIDE, LANDS. MOD			
MFG APPROVAL			MODEL NO.			
QA APPROVAL			LWM2X1UM			
SHEET 2 OF 2		SCALE	SIZE	DWG. NO.	REV.	
		1:12	B	TECH-001322	00	