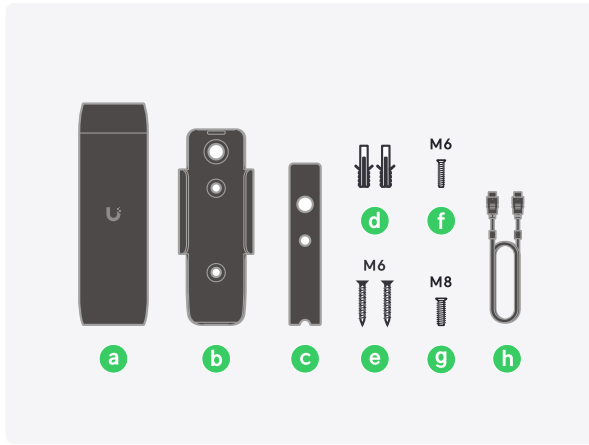
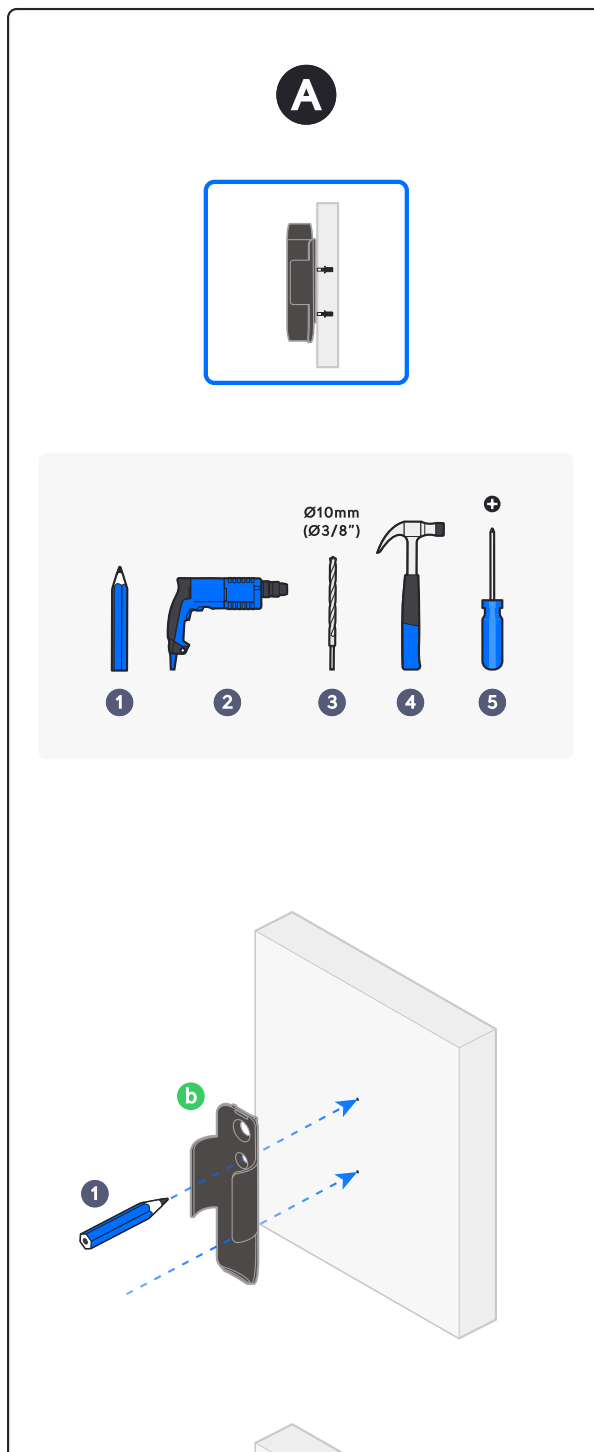


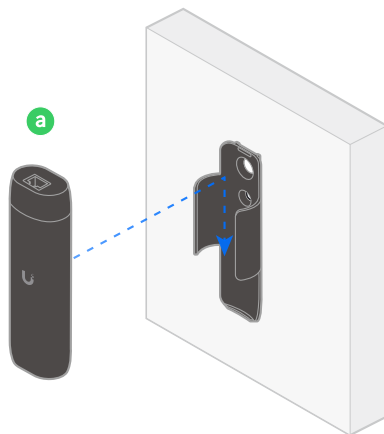
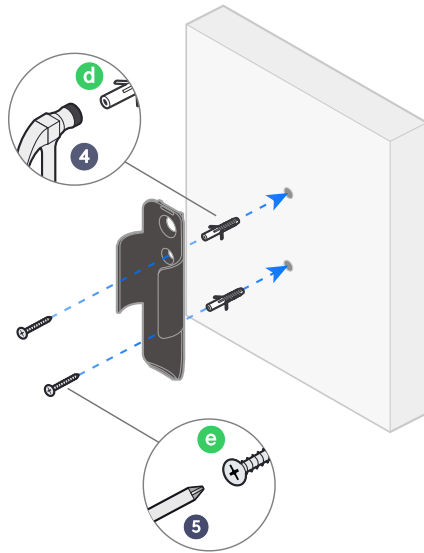
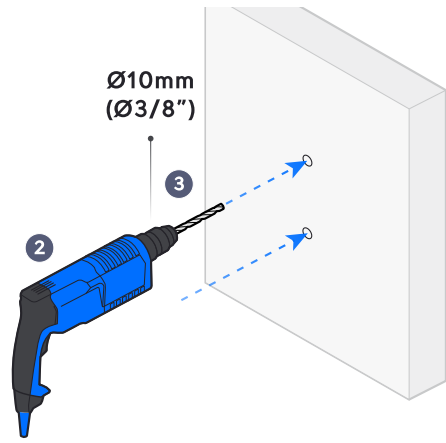


Protect Viewport

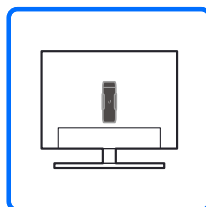


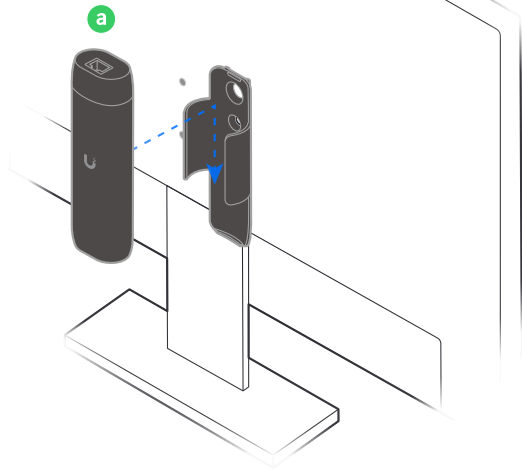
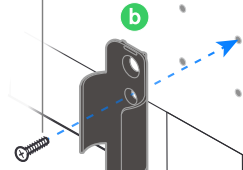
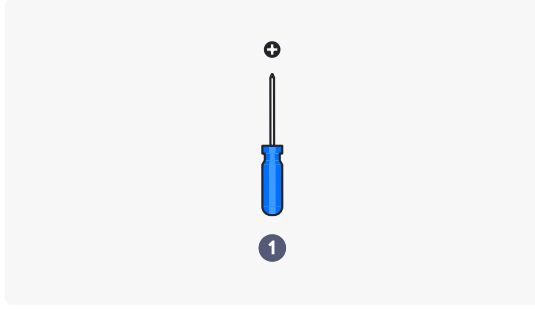
1



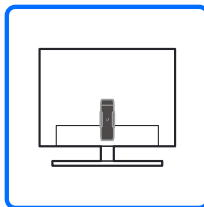


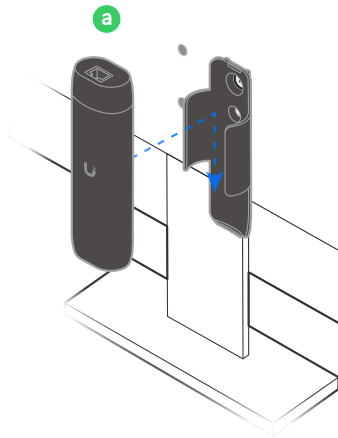
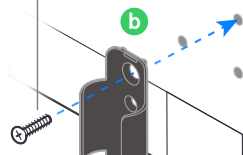
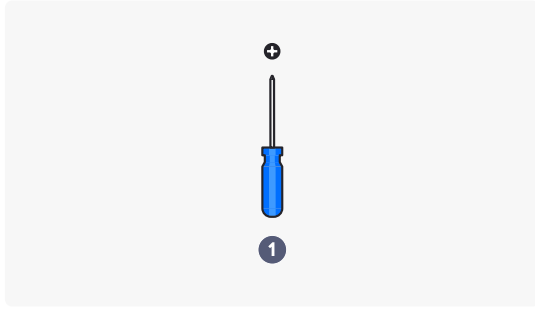
B



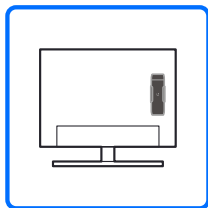


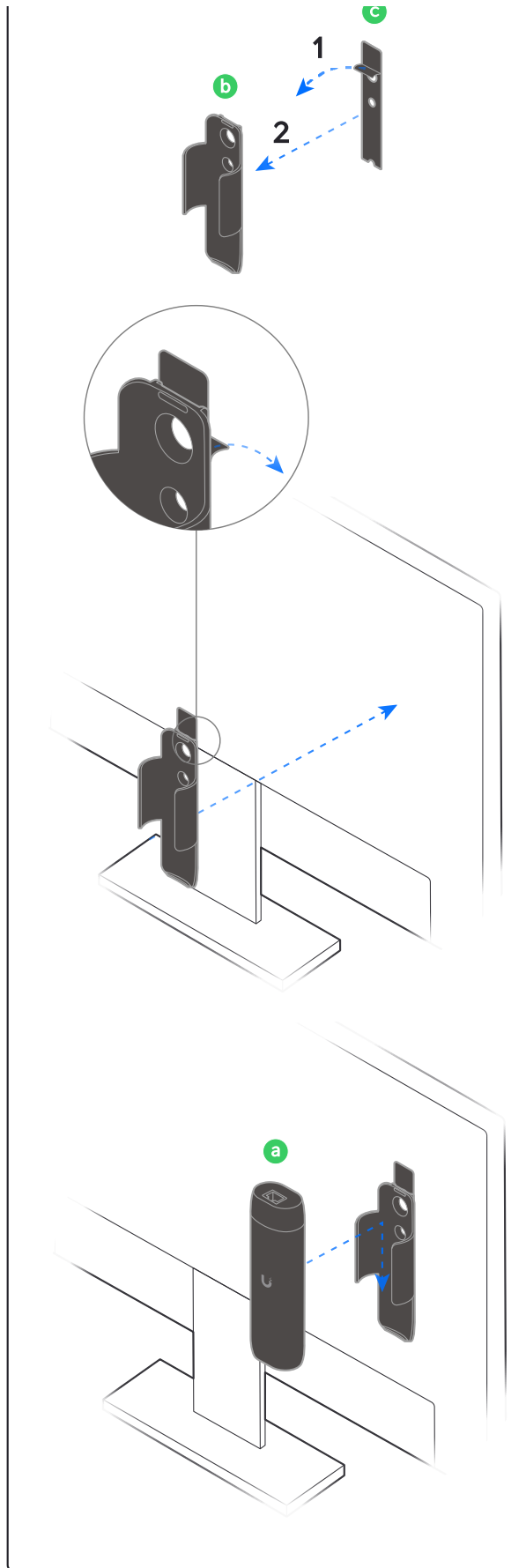
C





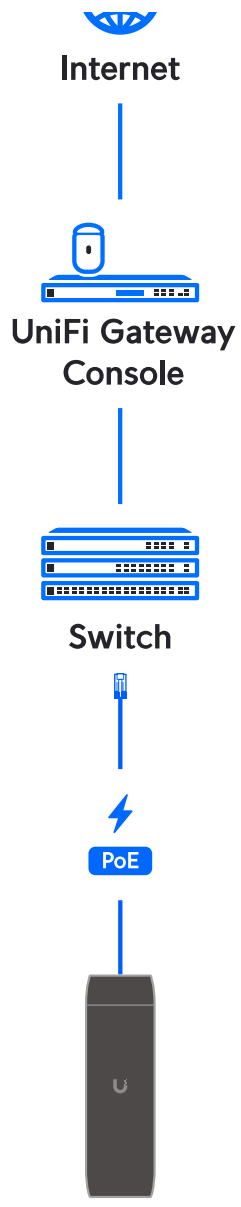
D



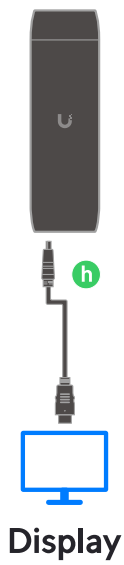


2





3





If you need further assistance, visit our [Help Center](#) or contact [Ubiquiti Support](#).



©2021 Ubiquiti Inc. All rights reserved. Ubiquiti, Ubiquiti Networks, the Ubiquiti logo, UniFi, and UniFi Protect are trademarks or registered trademarks of Ubiquiti Inc. in the United States and in other countries. The terms HDMI, HDMI High Definition Multimedia Interface, and the HDMI Logo are trademarks or registered trademarks of HDMI Licensing Administrator, Inc. All other trademarks are the property of their respective owners.