
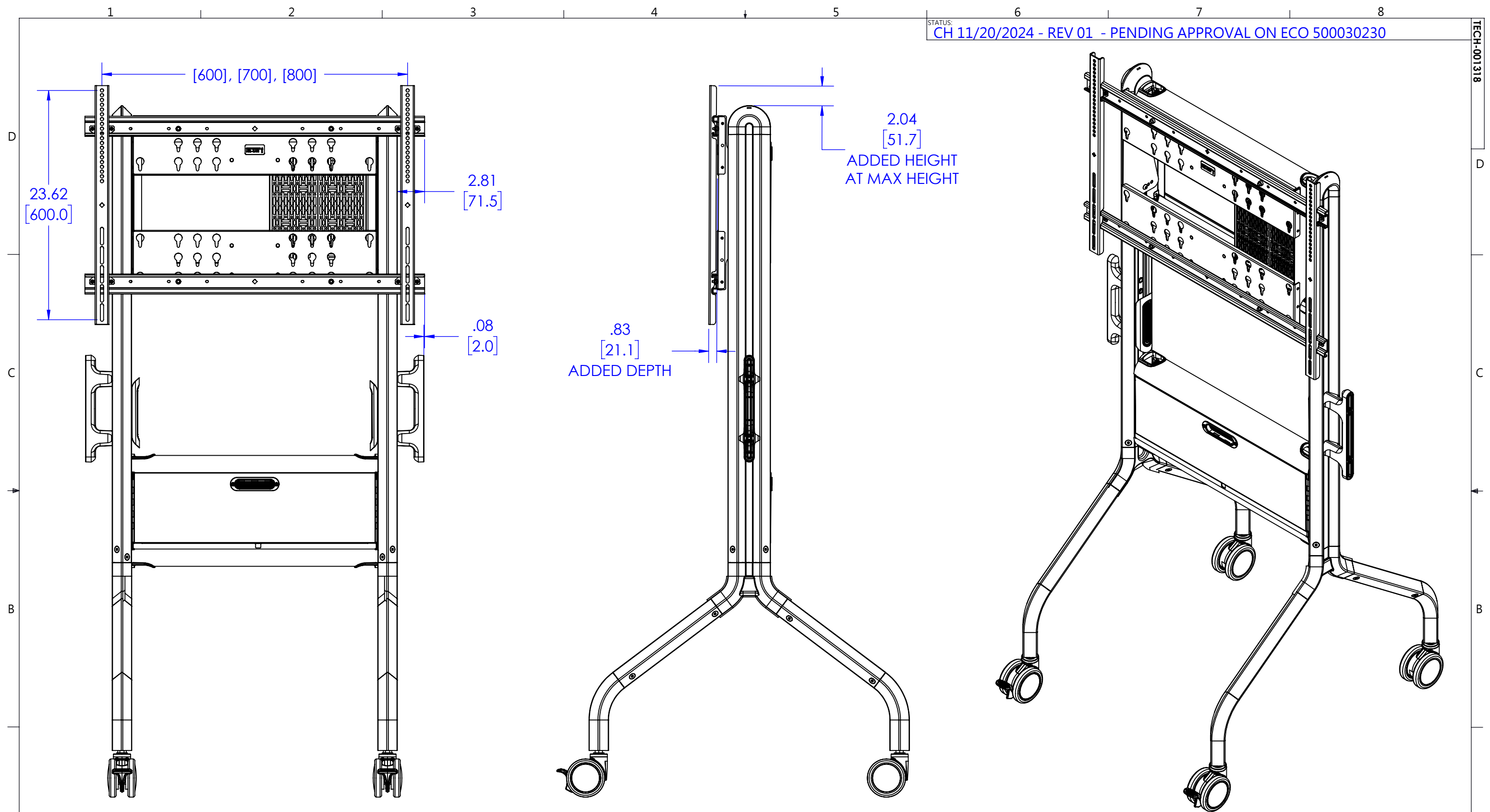


THE INFORMATION AND DESIGNS CONTAINED IN THIS DRAWING ARE CONFIDENTIAL AND THE PROPRIETARY PROPERTY OF LEGRAND | AV. NEITHER THIS DESIGN NOR ANY INFORMATION CONTAINED IN THIS DRAWING MAY BE REPRODUCED OR DISCLOSED TO OTHERS WITHOUT THE EXPRESS WRITTEN CONSENT OF LEGRAND | AV.

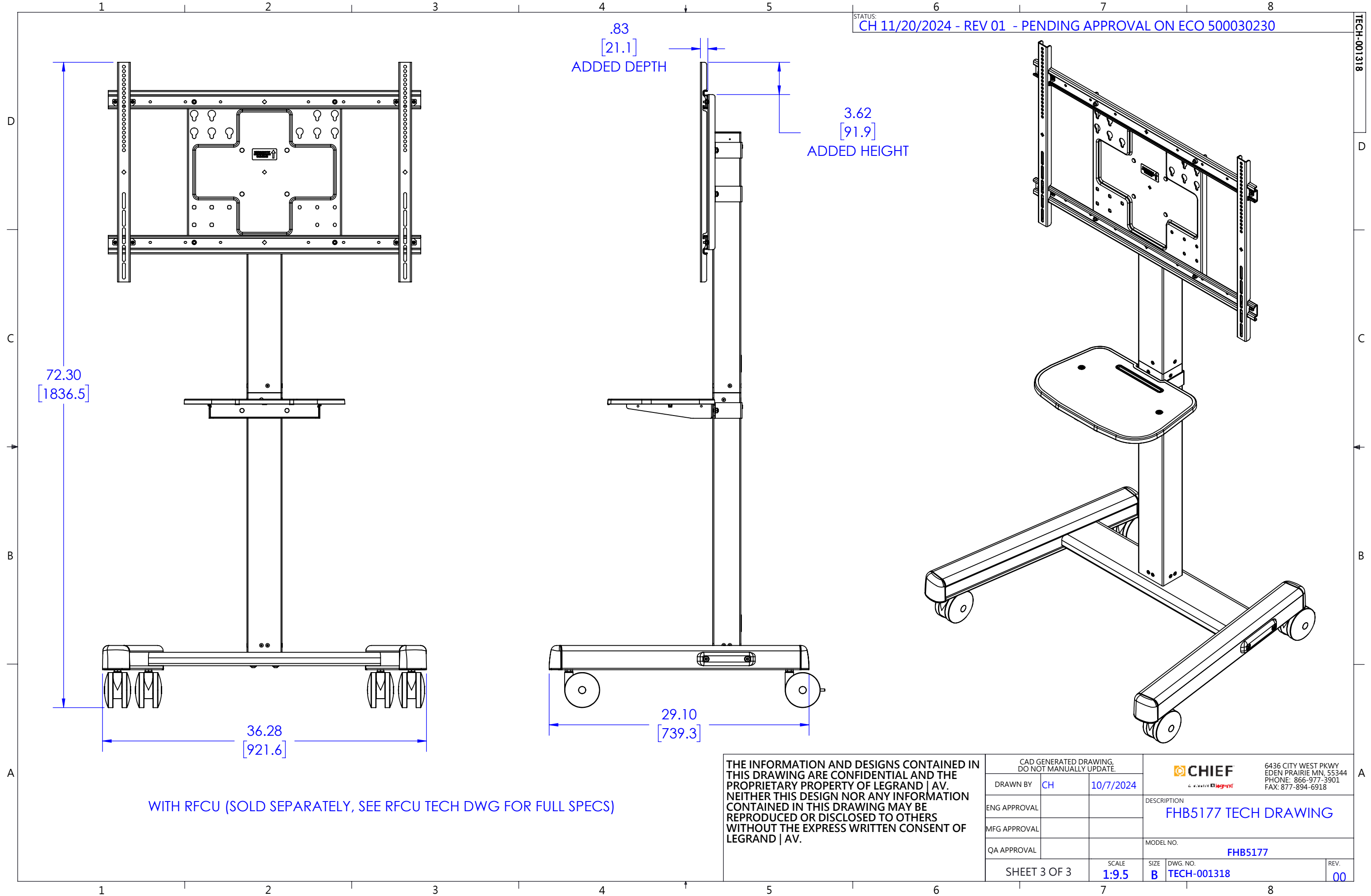
CAD GENERATED DRAWING, DO NOT MANUALLY UPDATE.		 6436 CITY WEST PKWY EDEN PRAIRIE MN, 55344 PHONE: 866-977-3901 FAX: 877-894-6918	
DRAWN BY	CH	10/7/2024	DESCRIPTION
ENG APPROVAL			FHB5177 TECH DRAWING
MFG APPROVAL			MODEL NO.
QA APPROVAL			FHB5177
SHEET 1 OF 3		SCALE	SIZE DWG. NO. REV.
		1:4	B TECH-001318 00



WITH LSCU (SOLD SEPARATELY)

THE INFORMATION AND DESIGNS CONTAINED IN THIS DRAWING ARE CONFIDENTIAL AND THE PROPRIETARY PROPERTY OF LEGRAND | AV. NEITHER THIS DESIGN NOR ANY INFORMATION CONTAINED IN THIS DRAWING MAY BE REPRODUCED OR DISCLOSED TO OTHERS WITHOUT THE EXPRESS WRITTEN CONSENT OF LEGRAND | AV.

CAD GENERATED DRAWING, DO NOT MANUALLY UPDATE.			6436 CITY WEST PKWY EDEN PRAIRIE, MN, 55344 PHONE: 866-977-3901 FAX: 877-894-6918	
DRAWN BY	CH 10/7/2024		DESCRIPTION FHB5177 TECH DRAWING	
ENG APPROVAL		MODEL NO. FHB5177		
MFG APPROVAL		SCALE	SIZE	DWG. NO.
QA APPROVAL		1:9.5	B	TECH-001318
SHEET 2 OF 3		REV.	00	



WITH RFCU (SOLD SEPARATELY, SEE RFCU TECH DWG FOR FULL SPECS)

THE INFORMATION AND DESIGNS CONTAINED IN THIS DRAWING ARE CONFIDENTIAL AND THE PROPRIETARY PROPERTY OF LEGRAND | AV. NEITHER THIS DESIGN NOR ANY INFORMATION CONTAINED IN THIS DRAWING MAY BE REPRODUCED OR DISCLOSED TO OTHERS WITHOUT THE EXPRESS WRITTEN CONSENT OF LEGRAND | AV.

CAD GENERATED DRAWING, DO NOT MANUALLY UPDATE.				6436 CITY WEST PKWY EDEN PRAIRIE MN, 55344 PHONE: 866-977-3901 FAX: 877-894-6918	
DRAWN BY	CH	10/7/2024	DESCRIPTION		
ENG APPROVAL			FHB5177 TECH DRAWING		
MFG APPROVAL			MODEL NO.		
QA APPROVAL			FHB5177		
SHEET 3 OF 3		SCALE	SIZE	DWG. NO.	REV.
		1:9.5	B	TECH-001318	00