

FPMA-VESA400

NEOMOUNTS FPMA-VESA400 VESA-ADAPTER 22-52"

SPECIFICATIONS

GENERAL

Min. screen size*	22
Max. screen size*	52
Min. weight	0
Max. weight	35
Screens	1
VESA maximum	400x200 mm
VESA minimum	50x50 mm

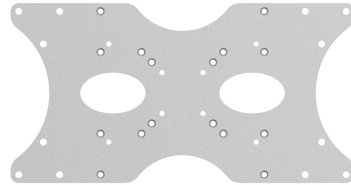
FUNCTIE

Type	Fixed
Adjustment type	None

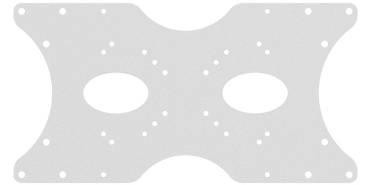
INFORMATION

Color	Silver
Main material	Steel
Warranty	5 year

*Please note: The inch sizes stated are just an indication, combined with the weight and VESA sizes. The maximum weight and VESA size are absolute restrictions for the products and should not be exceeded.



Neomounts



Neomounts

Neomounts FPMA-VESA400 VESA-adapter - 22-52" - max 35 kg - VESA 50x50-400x200 - silver

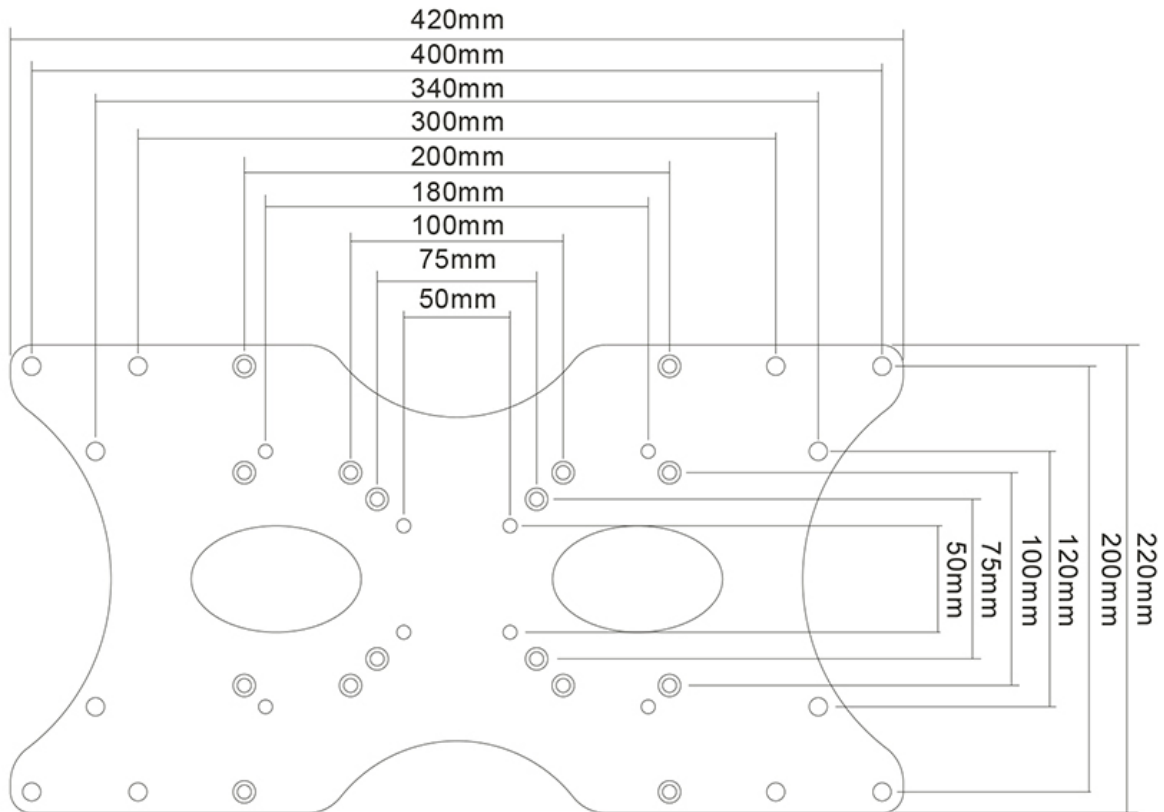
The Neomounts VESA adapter, model FPMA-VESA400 allows a VESA mount with 50x50, 75x75, 100x100 and 200x100 mm interface to be used with displays with VESA hole patterns of 200x200mm, 400x200 and 120x180 mm (JVC holepattern). Ideal when flat screen needs different VESA pattern to select wall-, desk- or ceiling mount.

Neomounts FPMA-VESA400 is suitable for screens up to 52" (130 cm). The weight capacity of this product is 35 kg each screen. Depth of this adapter is 3 millimetres only. The adapter is suitable for screens that meet VESA hole pattern 200x200, 400x200 and 120x180 mm (JVC holepattern). Different hole patterns can be covered using Neomounts VESA adapter plates.

All installation material is included with the product.

FPMA-VESA400

NEOMOUNTS FPMA-VESA400 VESA-ADAPTER 22-52"



Neomounts