

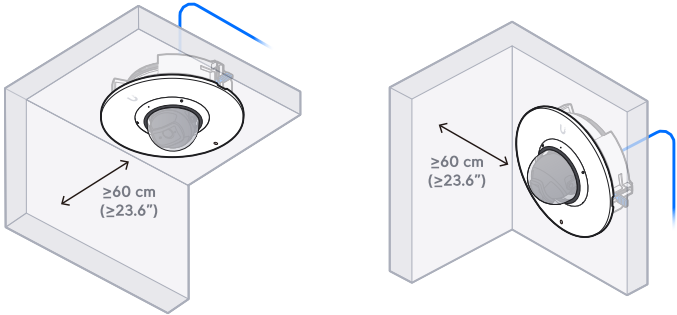
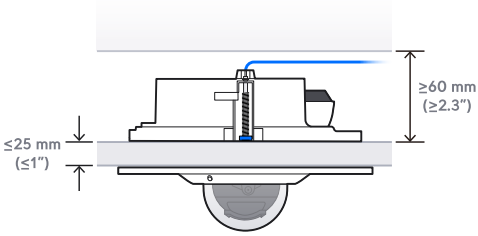
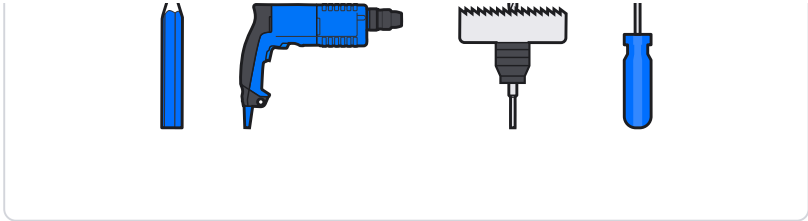
✂

Ø191 mm
 (Ø7 1/2")

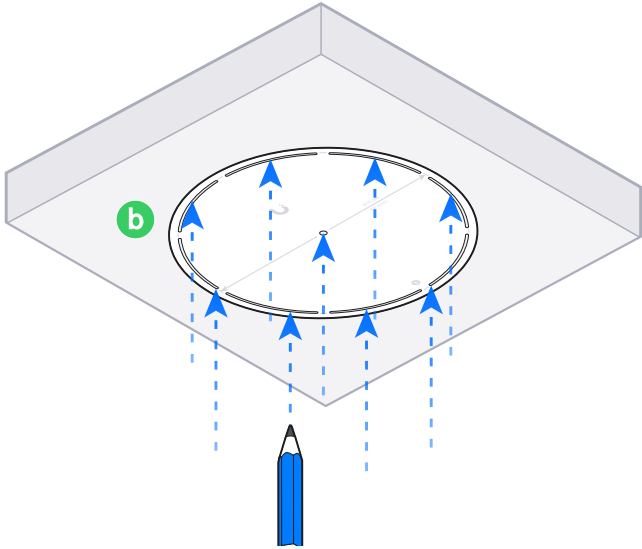
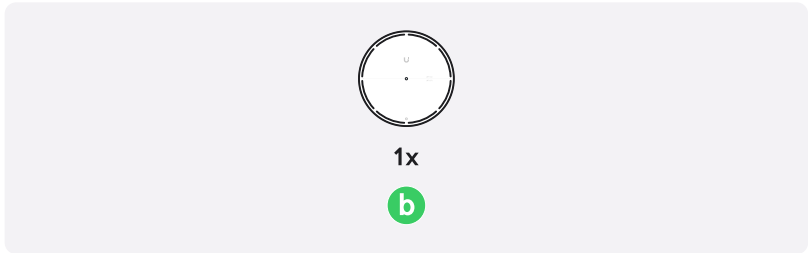
+

⌘

⊕

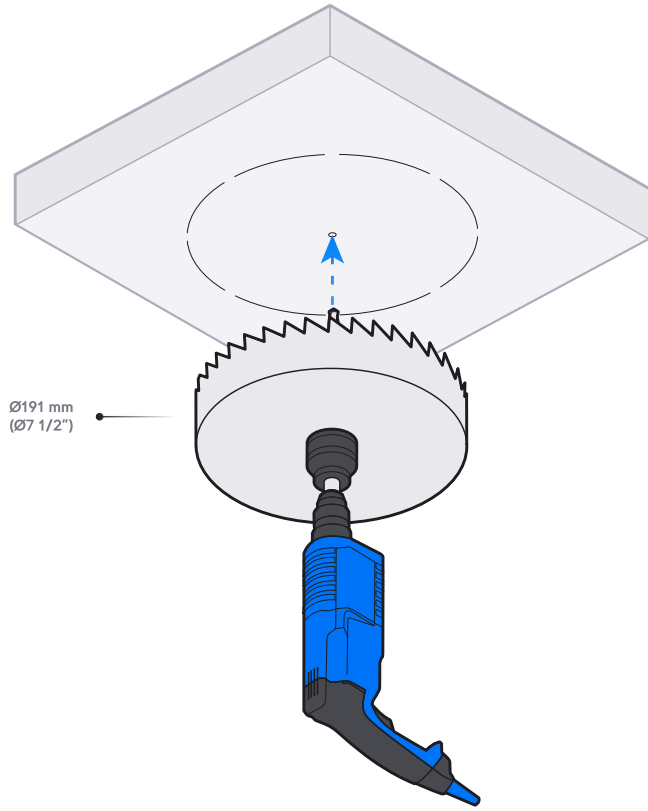


1

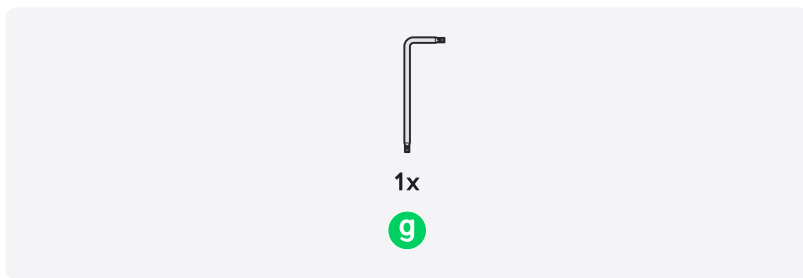




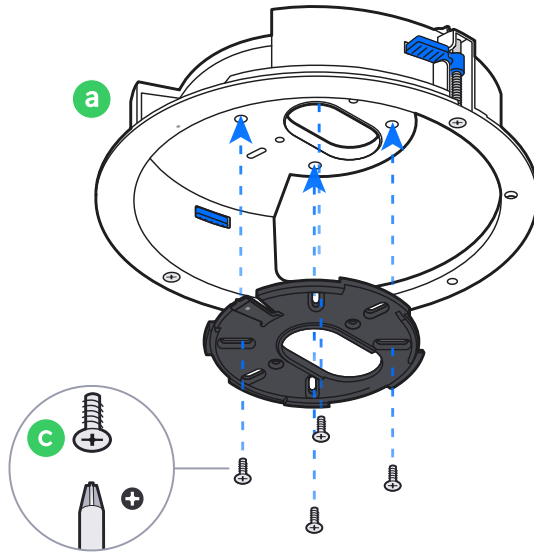
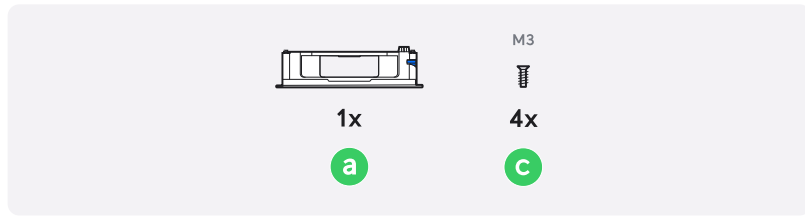
2



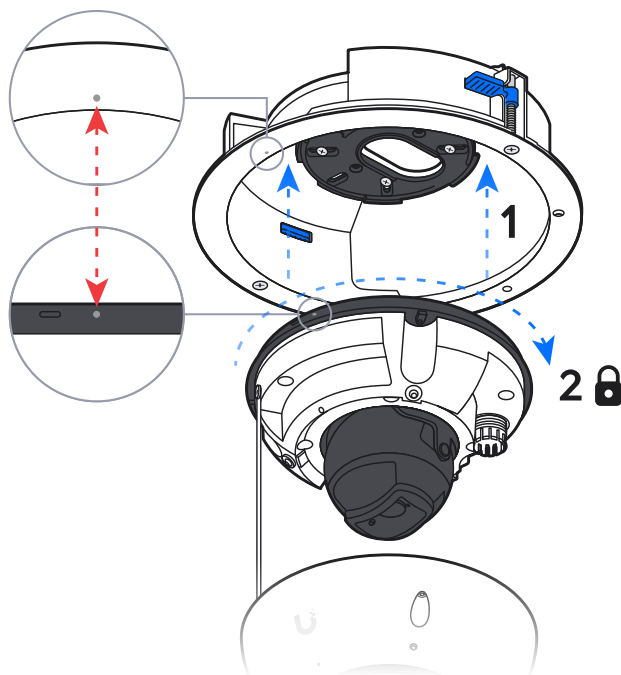
3



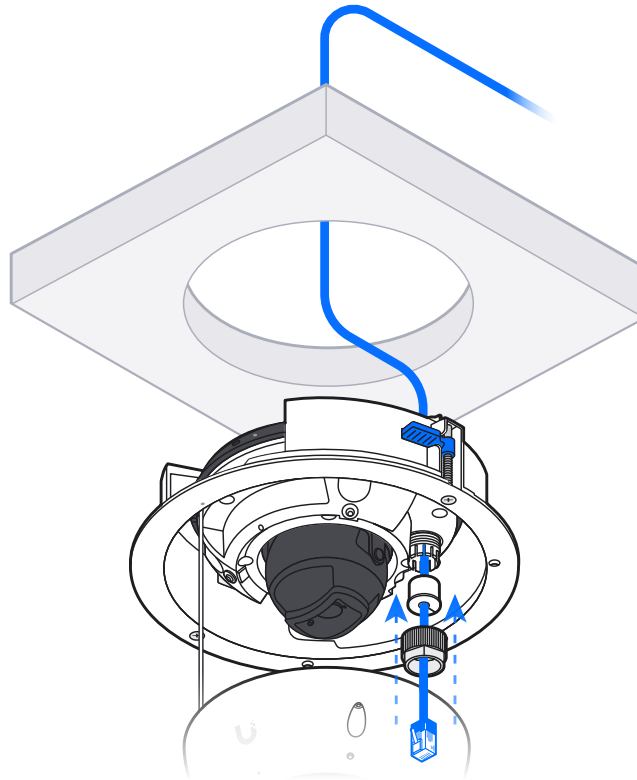
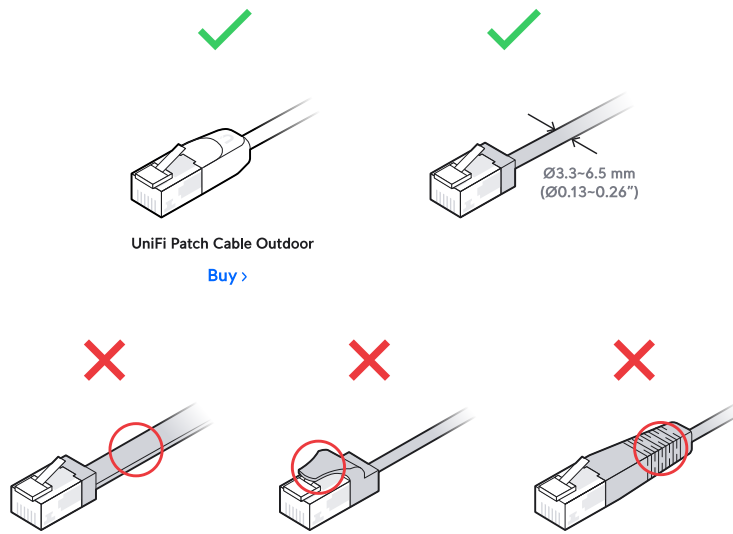
4



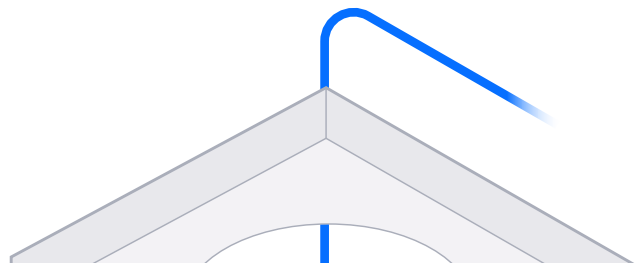
5

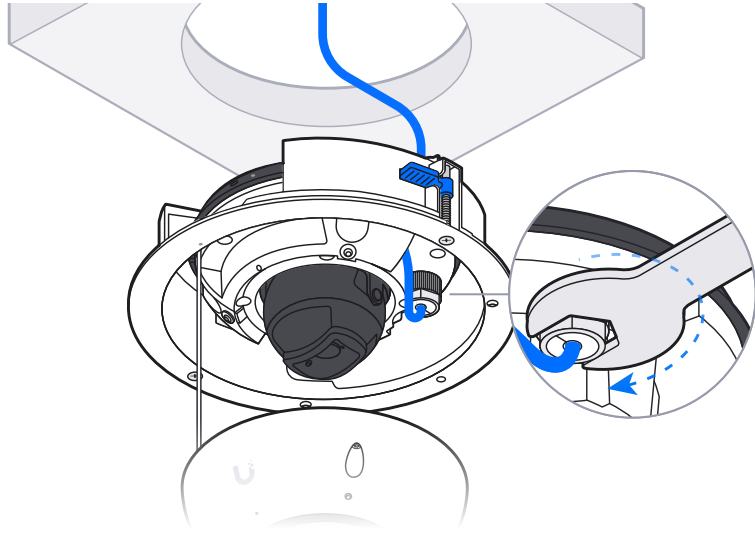


6

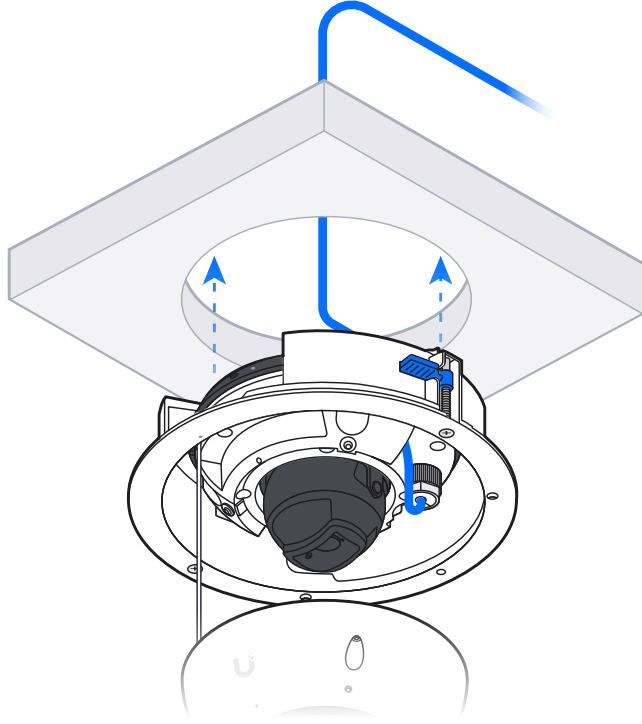


7

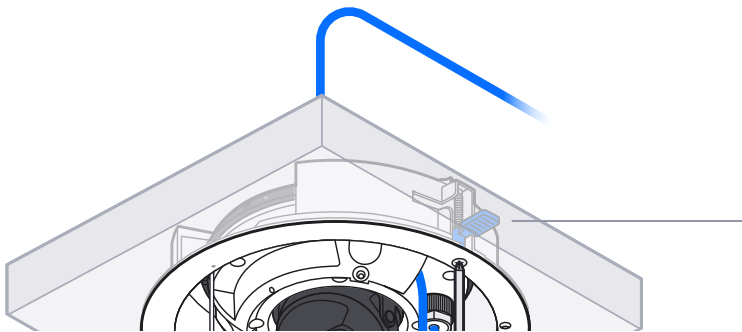


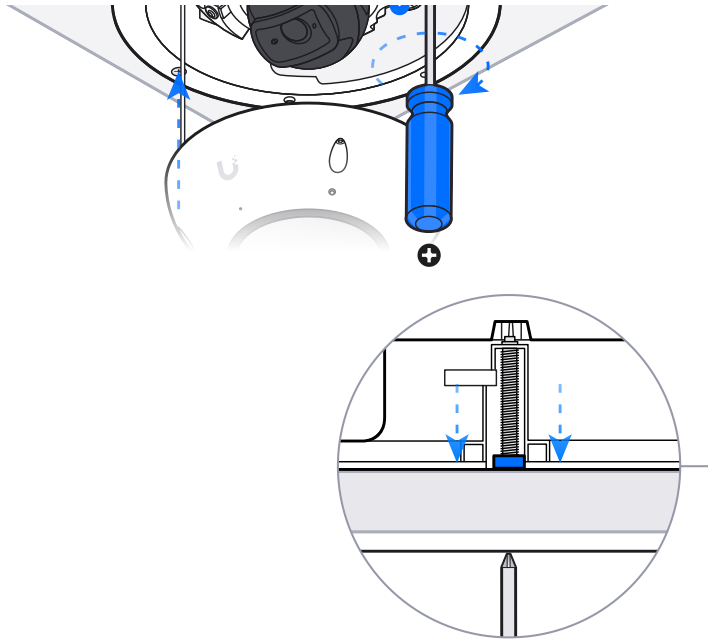


8

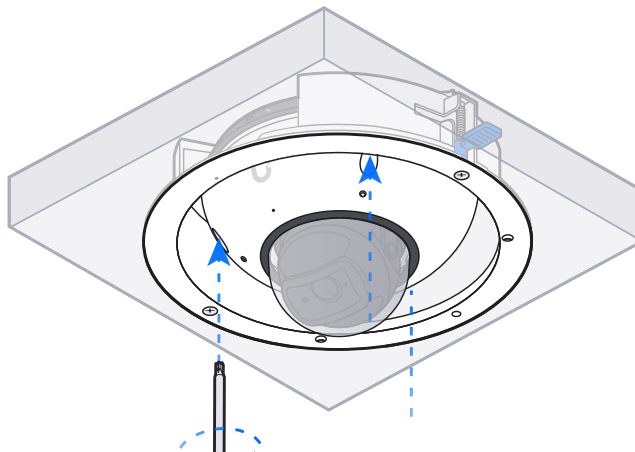
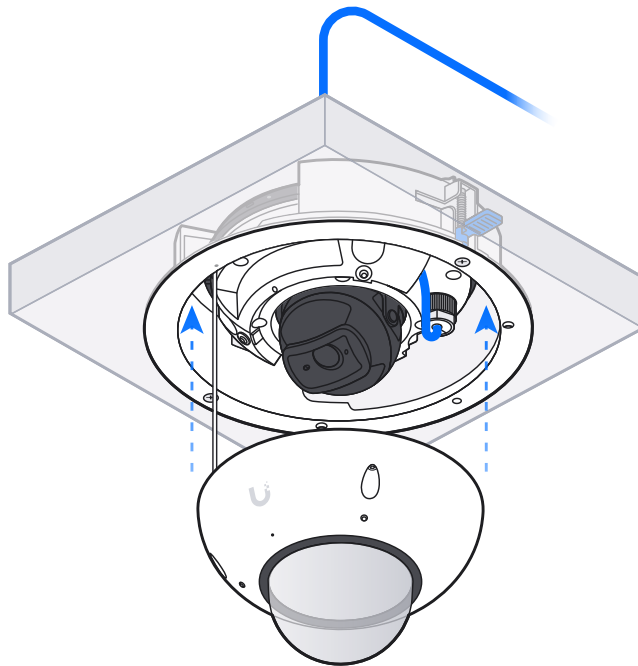


9





10



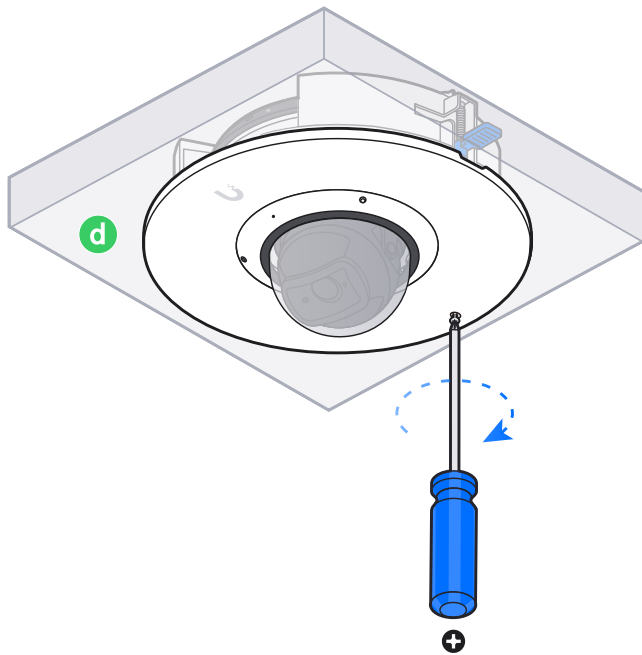


11



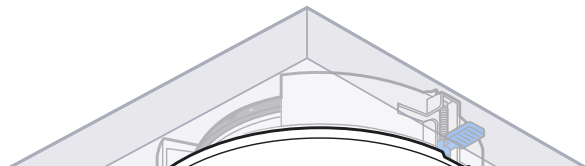
1x

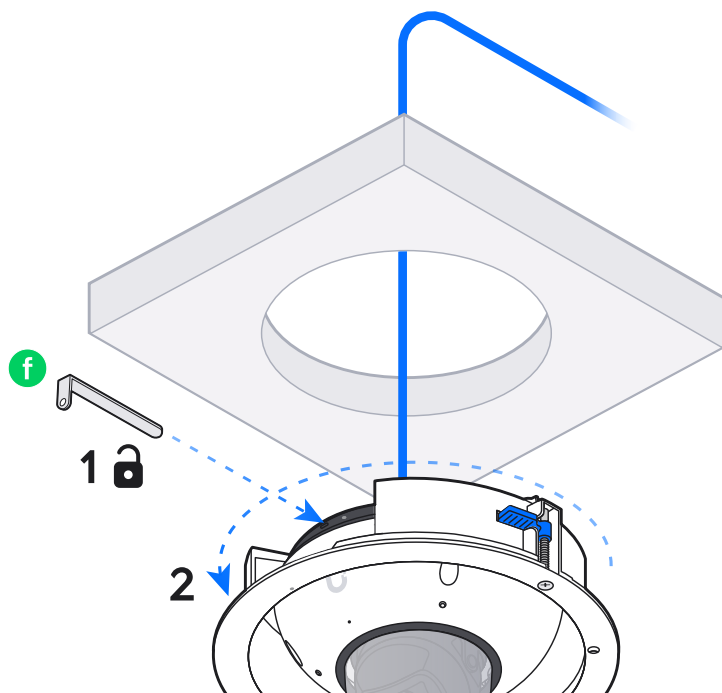
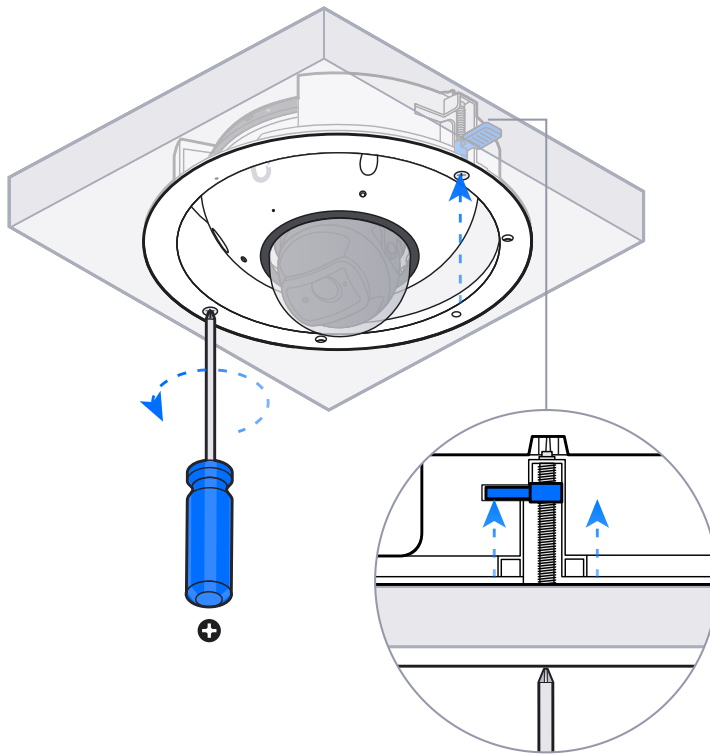
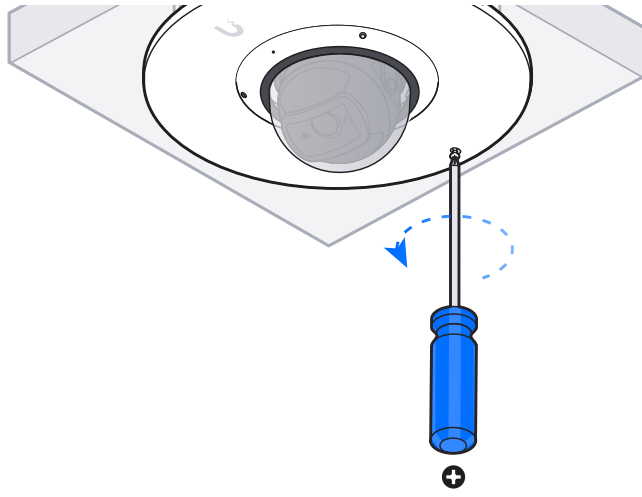
d

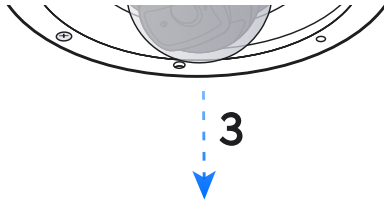


1x

f







If you need further assistance, visit our [Help Center](#) or contact [Ubiquiti Support](#).