



Make It Yours

MASTERFRAME 360 SERIES











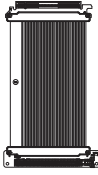
USER MANUAL



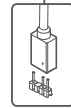
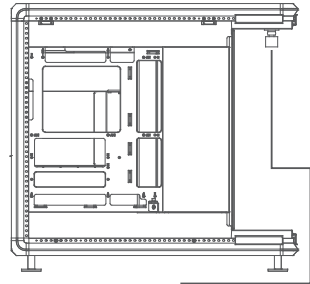
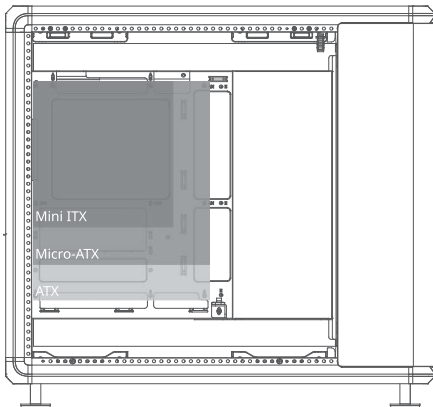
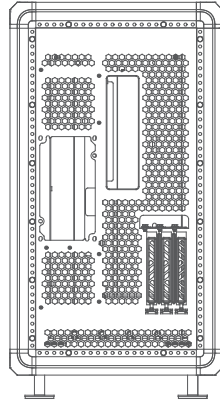
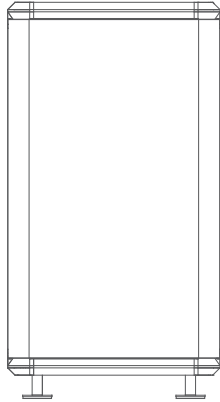
CONTENTS

Accessory box	2
Front I/O & Buttons	3
Compatibility	3
Installation Guide	
1 How to remove PANELS	6
2 How to remove COVER	7
3 How to install motherboard	7
4 How to install case fans and radiators	8
5 How to install power supply	12
6 How to install SSD	13
7 How to install HDD	15
8 How to install VGA CARD	17
9 How To Install DIY Tank	18
10 Completing installation	19
[MF360 Stage LCD] LCD Screen User Manual	20
[CM Converter] Installation Guide & User Manual	21
[MF360 Stage LCD] 螢幕操作說明	22
[CM Converter] 安裝說明 & 操作說明	23
Warranty Information	24

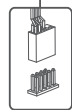
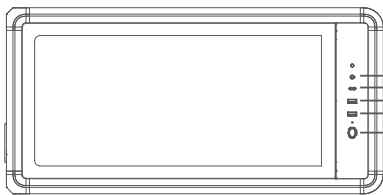
ACCESSORY BOX

	Figure	Name	Q'ty	Used for
A		Stand-off socket tool	1	Motherboard stand-off installation
B		Cable Tie	10	Cable management
C		#6-32*6mm screw	13	Motherboard & other
D		Stand off	5	Locking Motherboard
E		HDD Mounting pin	5	Installing HDD toollessly
F		HDD rubber	4	Installing HDD
G		HDD screw	4	Installing HDD
H		#6-32*6mm screw	18	Installing PCI Support/HDD
I		M3*6mm screw	10	Installing SSD
J		Ø5*10mm screw	12	Installing Top Fan
K		Riser Cable PCIe 5.0	1	Installing riser cable

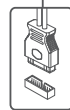
MasterFrame 360 Panorama



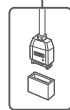
ARGB



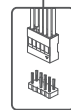
F-PANEL



2x USB-A
3.2 Gen1

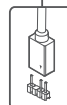
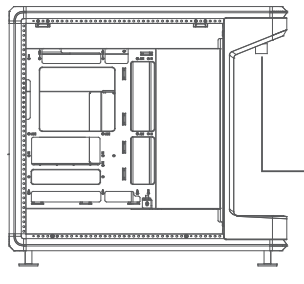
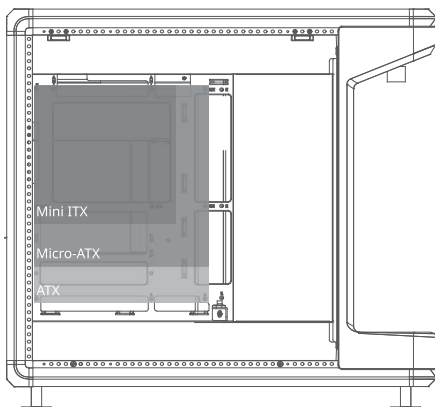
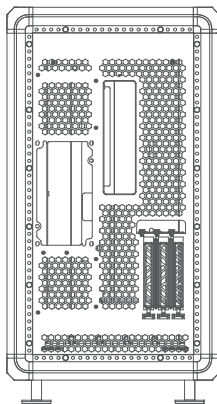
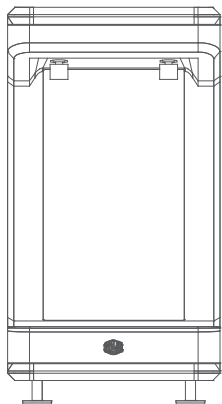


1x USB-C
3.2 Gen2

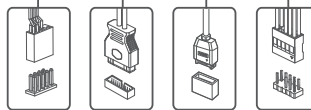
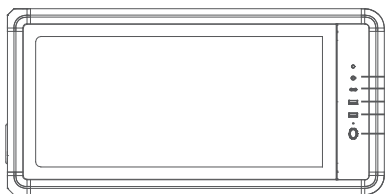


AUDIO

MasterFrame 360 Stage Mirror

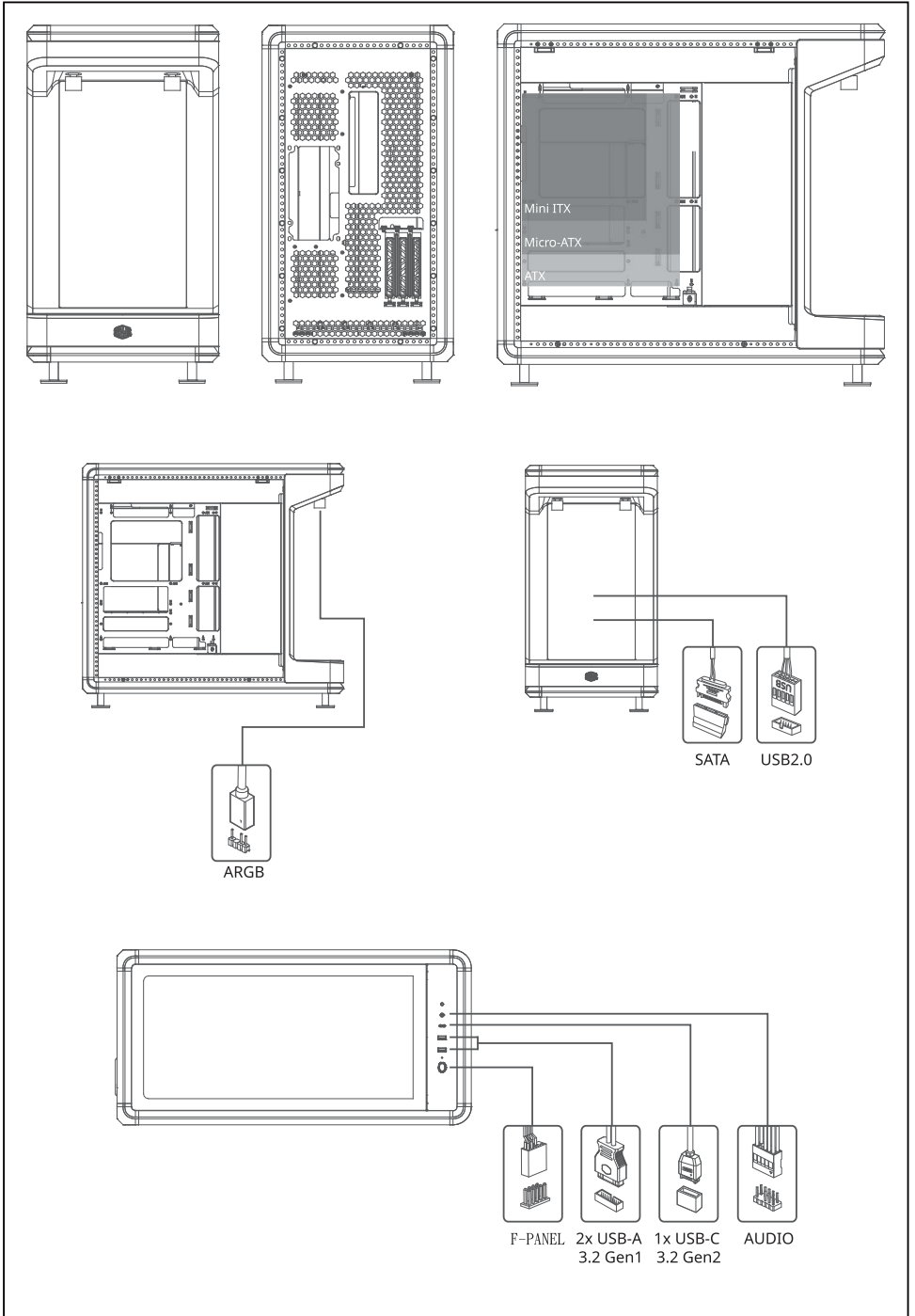


ARGB

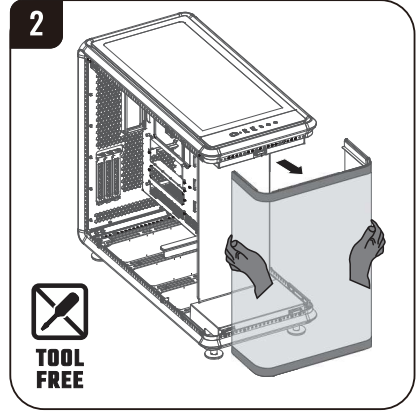


F-PANEL 2x USB-A 3.2 Gen1 1x USB-C 3.2 Gen2 AUDIO

MasterFrame 360 Stage LCD

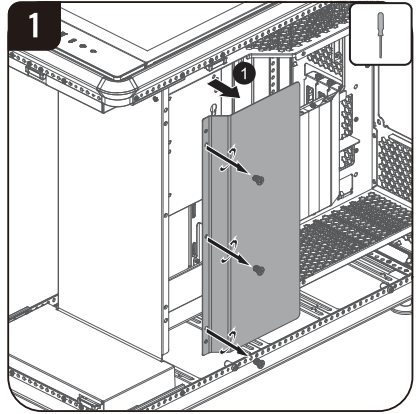
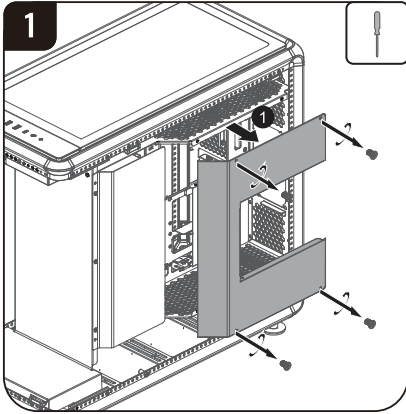


REMOVING PANELS

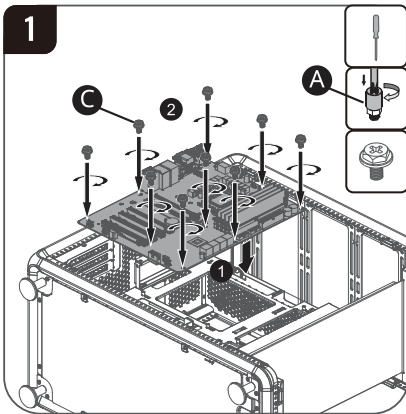


MasterFrame 360 Panorama

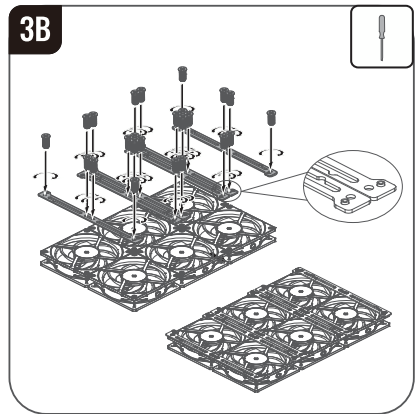
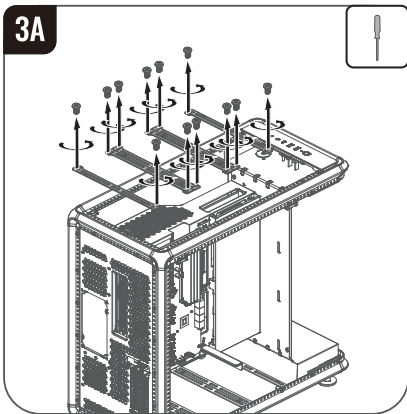
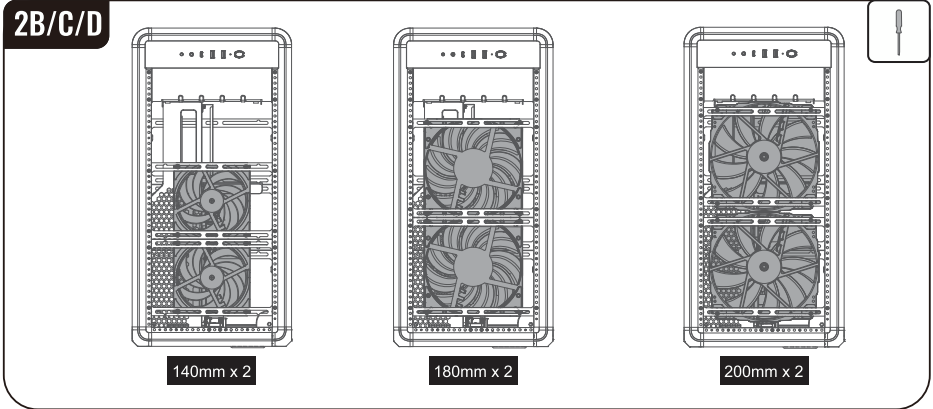
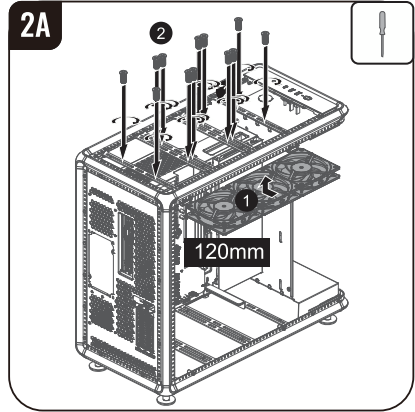
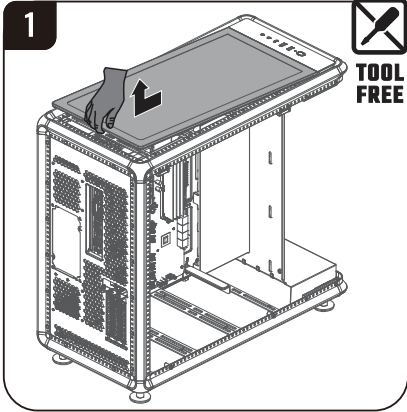
REMOVING COVER



MOTHERBOARD INSTALLATION

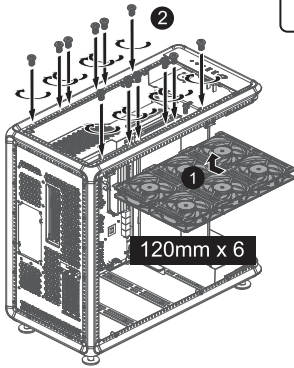


INSTALL FAN-TOP

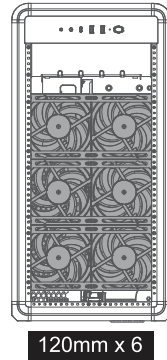


INSTALL FAN-TOP

3C

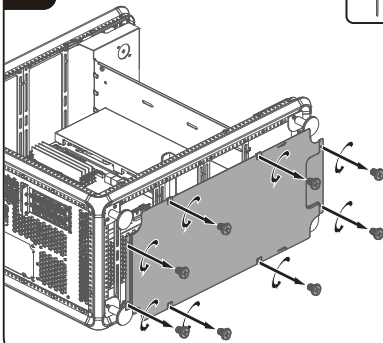


3D

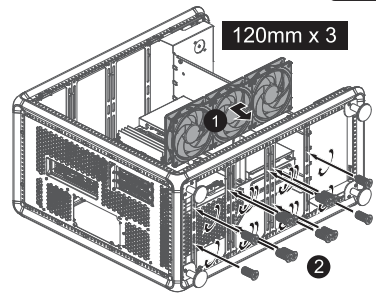


INSTALL FAN-BOTTOM

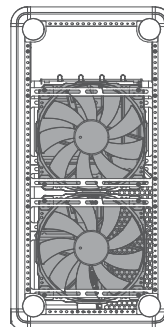
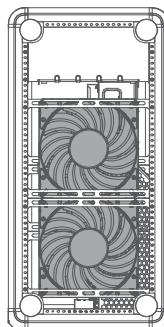
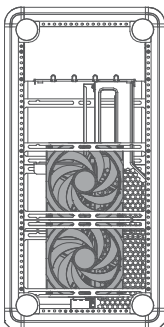
1



2A

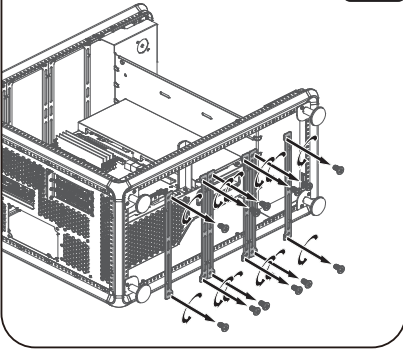


2B/C/D

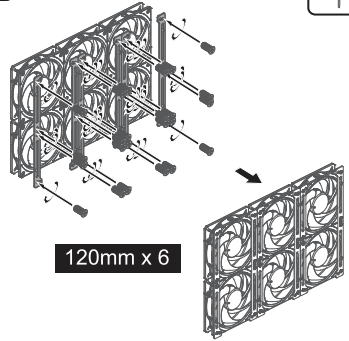


INSTALL FAN-BOTTOM

3A

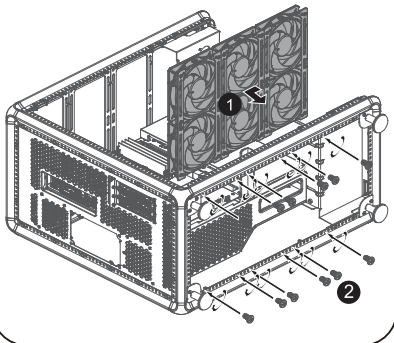


3B

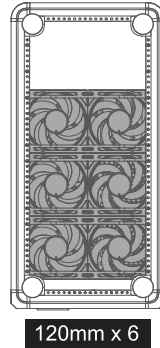


3C

120mm x 6

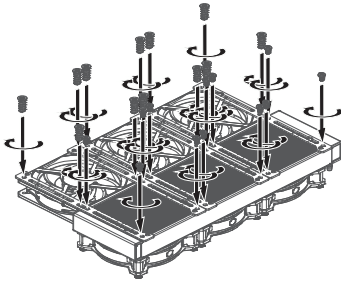


3D

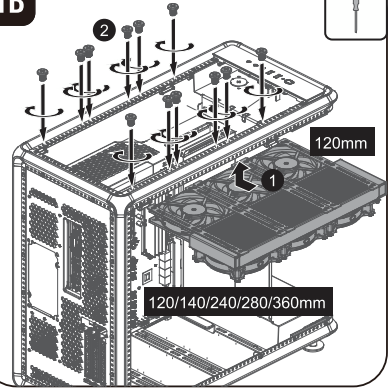


INSTALL COOLING-TOP

1A

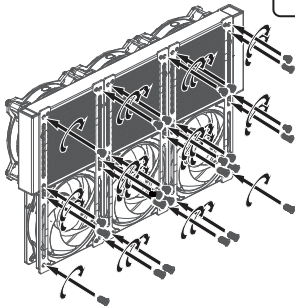


1B

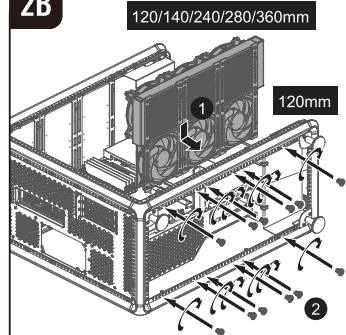


INSTALL COOLING-BOTTOM

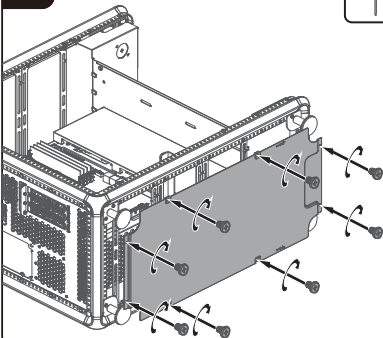
2A



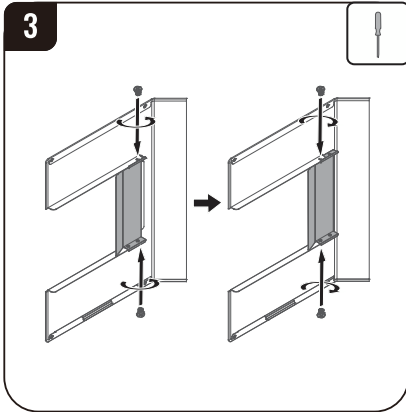
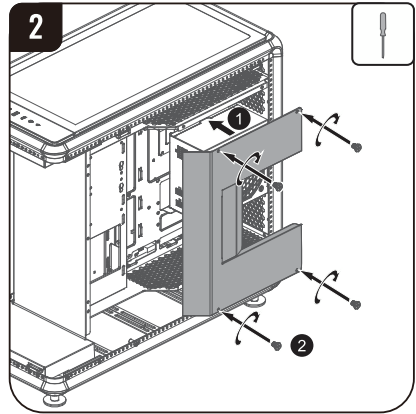
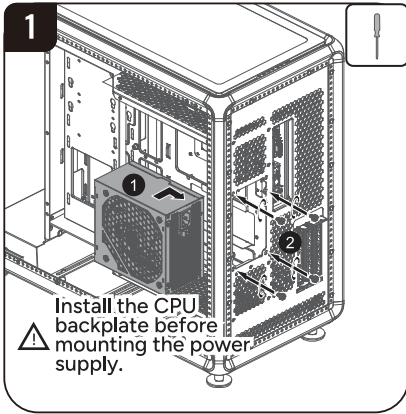
2B



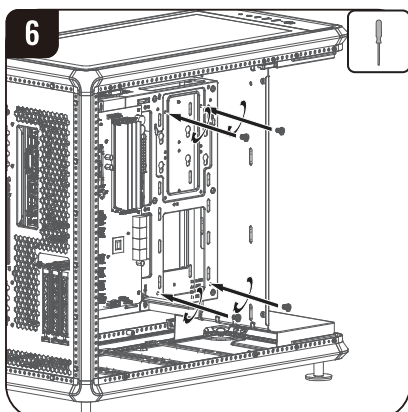
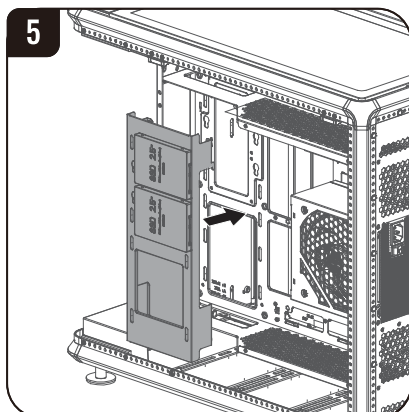
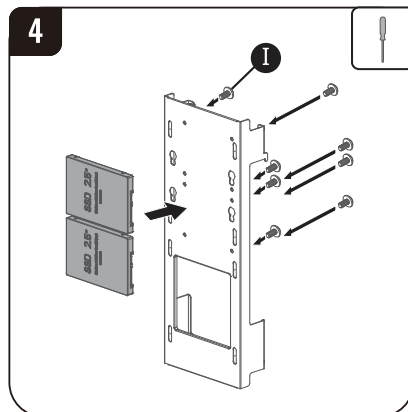
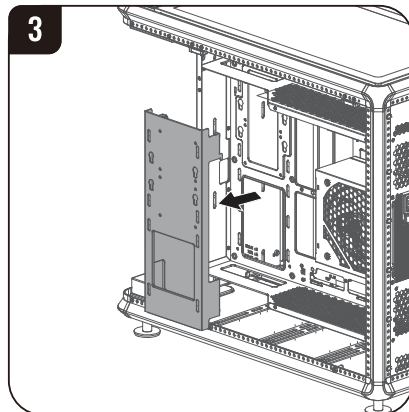
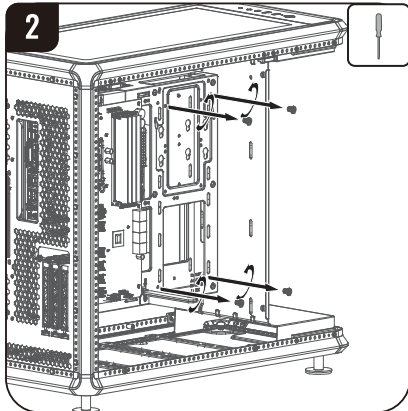
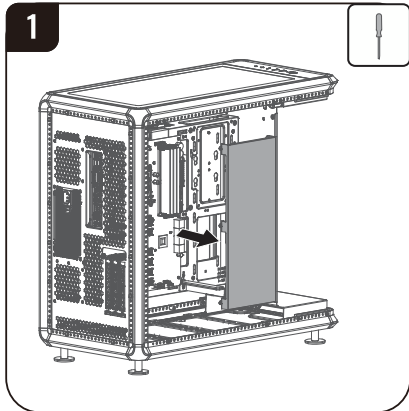
3



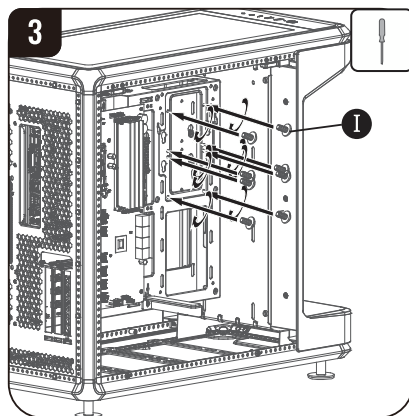
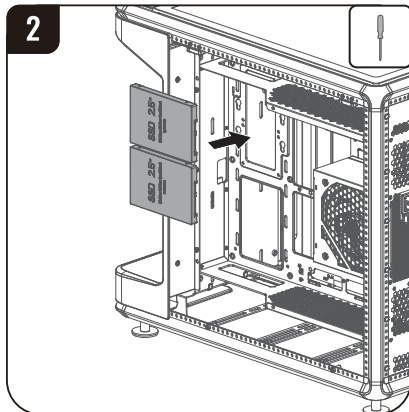
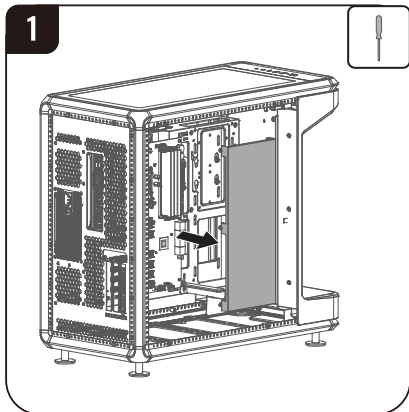
INSTALL POWER



INSTALL SSD (MasterFrame 360 Panorama)

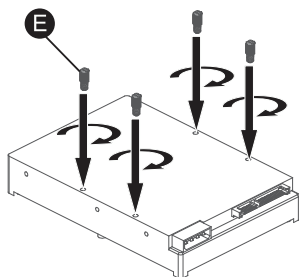


INSTALL SSD (MasterFrame 360 STAGE mirror & LCD)

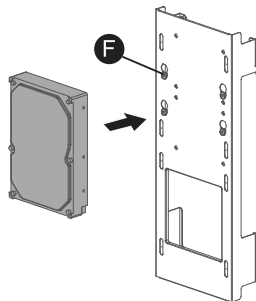


INSTALL HDD (MasterFrame 360 Panorama)

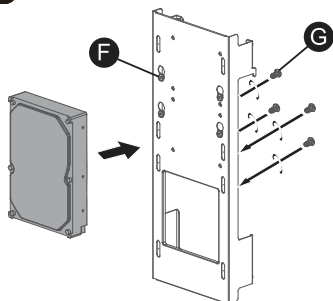
1A



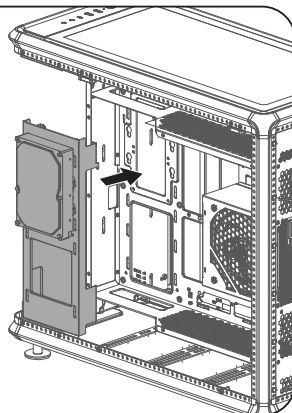
1B



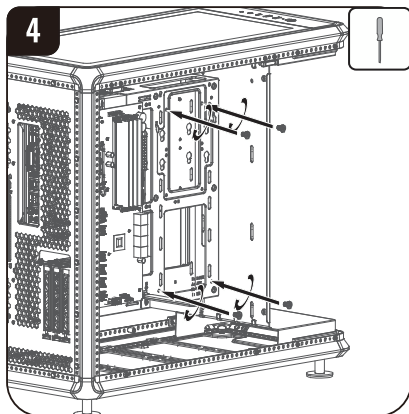
2A



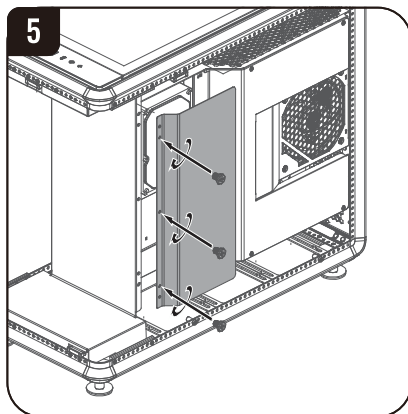
3



4

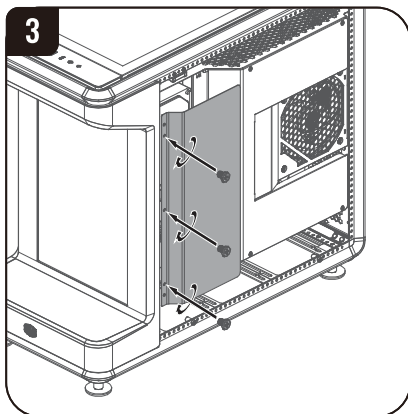
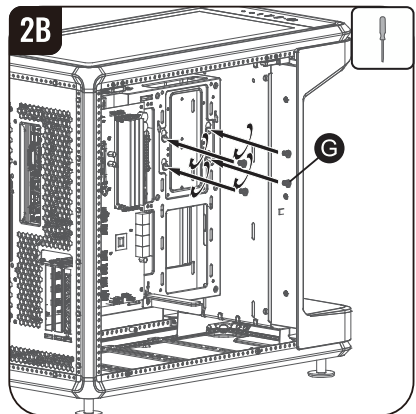
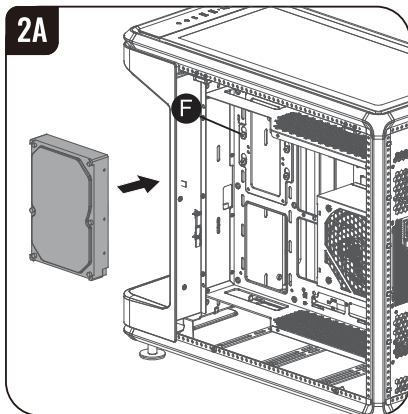
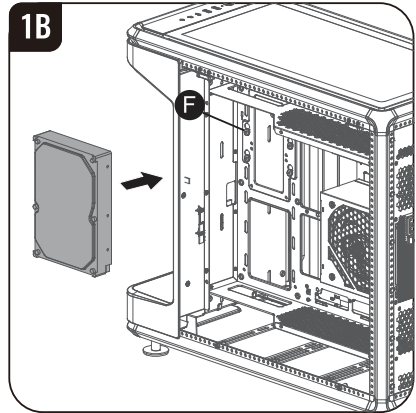
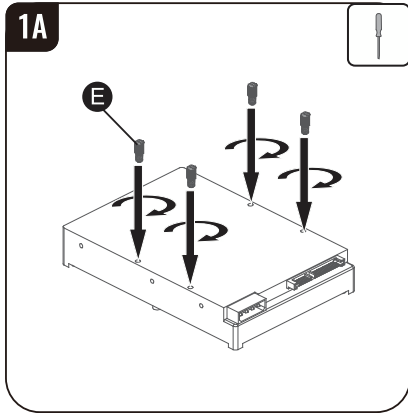


5

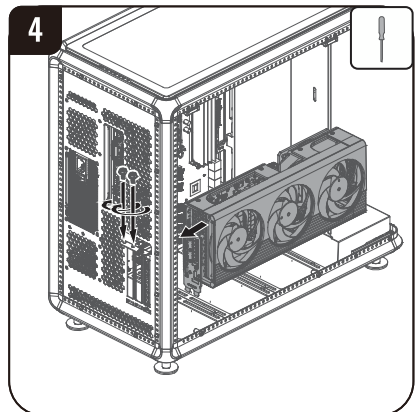
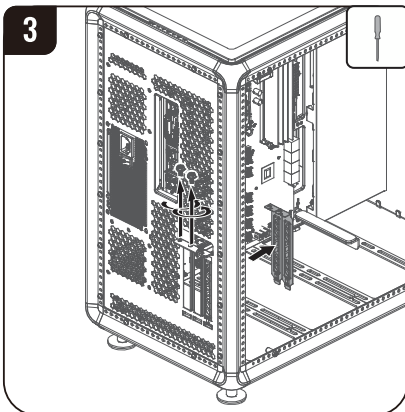
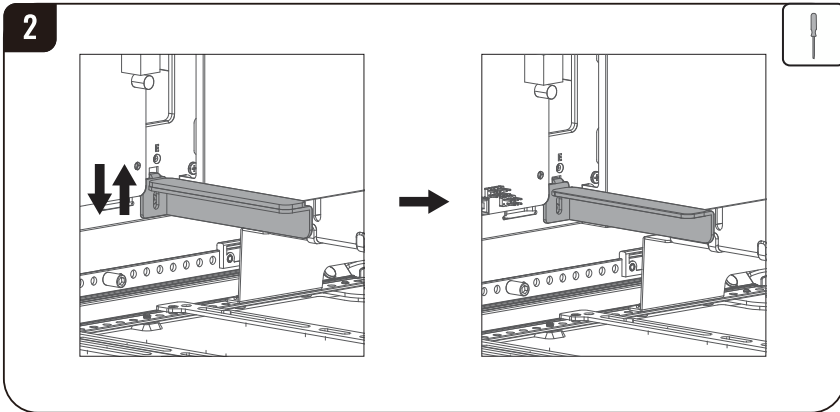
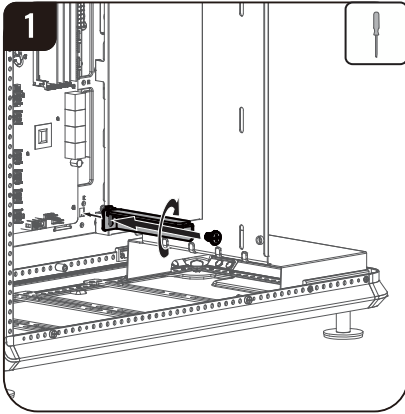


INSTALL HDD

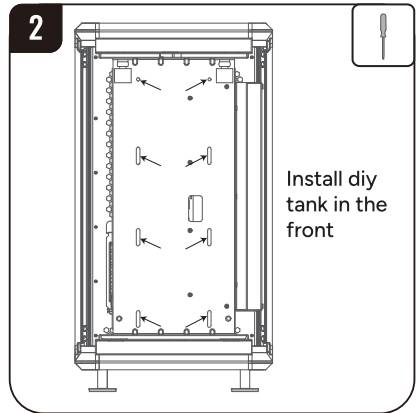
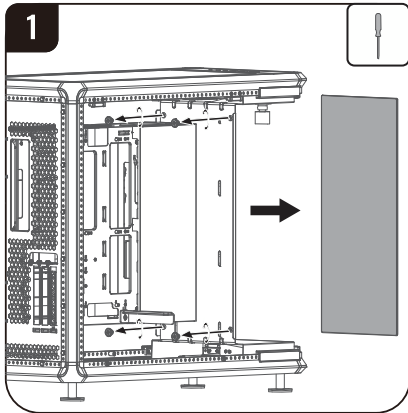
(MasterFrame 360 STAGE mirror & LCD)

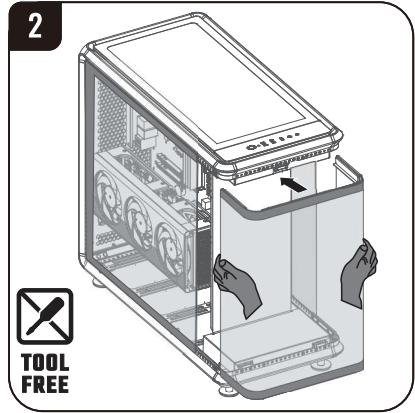
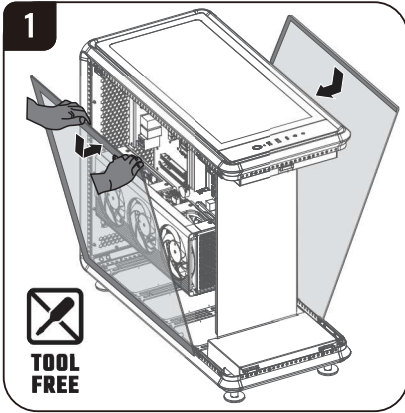


INSTALL VGA CARD

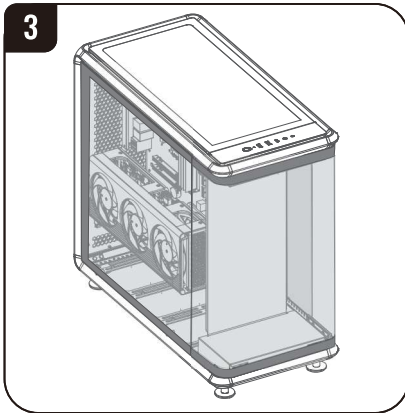


INSTALL DIY TANK IN THE FRONT (MasterFrame 360 Panorama)





MasterFrame 360 Panorama



[MF360 Stage LCD]

LCD Screen User Manual



[Button Location]

The three control buttons are located at the bottom front of the chassis.

[MUST] Before using for the first time, you must install the [screen driver]

1. Enter [Access Mode] – Long press(2S) [Middle + Right Button]
2. The device will appear as a [Removable Disk] on your computer.
(Contains five files: [DRIVER], [JPG], [MP4], [NO], [TOOL])
3. Navigate to: This PC > [Removable Disk] > [DRIVER] folder > Windows
4. Double-click [AicUsbDisplayDriverV1.0.6.exe] to install the [Screen Driver]
5. After installation, exit [Access Mode] – Long press(2S) [Middle + Right Button]

Button Functions

Function	Button	Action
Switch between [Secondary Screen Mode] & [Playback Mode]	Left Button	Short Press
Turn the screen OFF	Left Button	Long Press (2s)
Turn the screen ON	Any Button	Short Press
Decrease screen brightness	Middle Button	Short Press
Increase screen brightness	Right Button	Short Press
Enter [Access Mode]	Middle + Right Button	Long Press (2s)
Exit [Access Mode]	Middle + Right Button	Long Press (2s)

Playback Mode

Important Notes

- Only MP4(720P 60FPS or 1080P 30FPS) & JPG(Up to 3840 x 2160) formats accepted
- ▲ MP4 files must be converted using [CM Converter] prior to upload
- MP4 & JPG filenames must not exceed 80 characters
- Priority: 1. MP4 play first, then JPG
 2. Follows the numeric order of file names (ex: 1xx → 2xx → 3xx)
- Do not play: Move MP4/JPG files to the [NO] folder

Play Your MP4 Files

1. Enter [Access Mode]
2. Install the [CM Converter] located in the [TOOL] folder
 - Refer to the P. 21 [CM Converter Installation Guide]
3. Use [CM Converter] to convert your MP4
 - Refer to the P. 21 [CM Converter User Guide]
4. Place the converted MP4 file into the [MP4] folder.
5. Exit [Access Mode] → MP4 will automatically play in [Playback Mode]

Play Your JPG Files

1. Enter [Access Mode] and place JPG file in the [JPG] folder
2. Exit [Access Mode] → JPG will automatically display in [Playback Mode]

Firmware Update

1. Enter [Access Mode]
2. Place the firmware file in the [Removable Disk] (at the root level, not inside folders such as JPG, MP4, etc.)
3. Exit [Access Mode] → The update will start automatically

[CM Converter Installation Guide]

1. Start the Installer

- Double-click or right-click and select Run on CM Converter-1.0.0_setup.
- In the installation mode, choose Install for all users (recommended).

2. Set Installation Options

- Use the default installation path.
- Check Create a desktop shortcut.
- Click Next > Install > Finish to complete the installation.

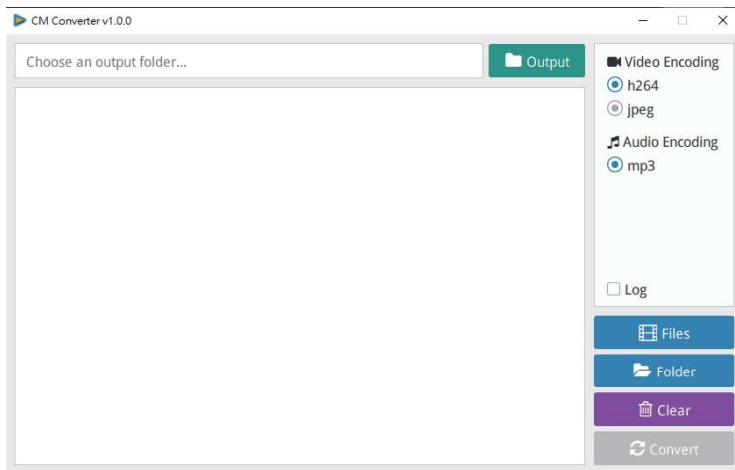
[CM Converter User Manual]

1. Launch the Program

- Locate the [CM Converter] shortcut icon on your desktop and double-click or right-click to open it.

2. Default Settings

- Video Encoding: H264
- Audio Encoding: MP3



3. Software Operation & Button Functions

STEP 1

[Files] Choose one or multiple video files to convert.

STEP2

[Output] Select the storage location for the converted MP4 files (recommended to save to a local disk).

STEP3

[Convert] Click to start converting the videos.

*MP4 filenames must not exceed 80 characters

[MF360 Stage LCD]

螢幕操作說明



[按鍵位置] 三顆控制按鍵位於 機箱正前方的底部。

第一次使用, 必須先安裝 [螢幕driver]

1. 進入 [存取模式] -- 長按2秒 [中間鍵 + 右邊鍵]
2. 電腦上會顯示 [可移動磁碟] (內有[DRIVER] [JPG] [MP4] [NO] [TOOL] 5個檔案)
3. 本機 > [可移動磁碟] > [DRIVER]資料夾 > Windows
4. 雙擊 [AicUsbDisplayDriverV1.0.6.exe] 安裝 [螢幕driver]
5. 退出 [存取模式] -- 長按2秒 [中間鍵 + 右邊鍵]

按鍵功能

功能	按鍵	操作方式
切換 [副屏模式] / [播放模式]	左邊按鍵	短按
關閉 螢幕	左邊按鍵	長按 2 秒
開啟 螢幕	任一按鍵	短按
調低 螢幕亮度	中間按鍵	短按
調高 螢幕亮度	右邊按鍵	短按
進入 [存取模式]	中間+右邊鍵	長按 2 秒
退出 [存取模式]	中間+右邊鍵	長按 2 秒

播放模式

注意事項

- 只接受MP4(720P 60FPSor 1080P 30FPS)&JPG(最高3840x2160)格式
- ▲ MP4放入前,一定要用 [CM Converter] 轉檔
- MP4 & JPG檔案名稱, 字元數不可超過 80
- 優先順序: 1. 先播放 MP4 → 再播放 JPG
2. 依照檔案名稱[字首]的數字排序 (例如 1xx → 2xx → 3xx)
- 暫不播放: 不想播放的檔案放入 [NO] 資料夾

播放您的MP4檔案

1. 進入 [存取模式]
2. 安裝 [TOOL] 資料夾內的 [CM Converter] - 可參考 P23 [CM Converter安裝教學]
3. 用 [CM Converter] 轉檔影片 - 可參考 P23 [CM Converter使用教學]
4. 將轉檔完成的 MP4 檔案放入 [MP4] 資料夾
5. 退出 [存取模式] → 在 [播放模式] 會自動播放

播放您的JPG檔案

1. 進入 [存取模式], 將 JPG 檔案直接放入 [JPG] 資料夾
2. 退出 [存取模式] → 在 [播放模式] 會自動播放

更新韌體

1. 進入 [存取模式]
2. 將韌體檔案放入 [可移動磁碟] (放第一層, 不是放入JPG MP4...等等資料夾中)
3. 退出 [存取模式] → 系統會自動開始更新

[CM Converter安裝說明]

1. 啟動安裝程式

- 雙擊或右鍵選擇執行 **CM Converter-1.0.0_setup**。
- 在安裝模式中選擇：**Install for all users (recommended)** (建議選擇)。

2. 設定安裝選項

- 安裝路徑使用預設值。
- 勾選：**Create a desktop shortcut** (建立桌面捷徑)。
- 點選 **Next > Install > Finish** 完成安裝。

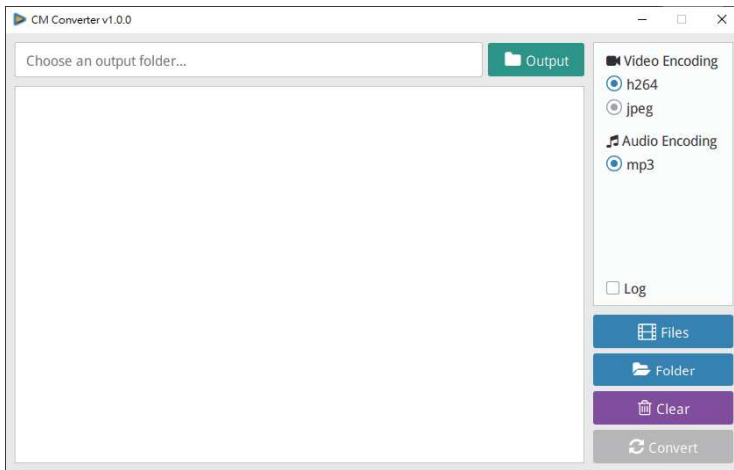
[CM Converter操作說明]

1. 啟動程式

- 在桌面上找到 [CM Converter] 的捷徑圖示，雙擊或右鍵開啟。

2. 軟體內默認

- **Video Encoding** (影片編碼)：H264
- **Audio Encoding** (音訊編碼)：MP3



3. 軟體操作步驟 & 按鈕功能說明

Step1 : [Files] 選取一個或多個欲轉檔的影片檔案

Step2 : [Output] 選擇轉檔完成的 MP4 檔案儲存位置 (建議儲存至本地磁碟)

Step3 : [Convert] 點擊開始進行影片轉檔

*MP4檔案名稱,字元數不可超過 80

WARRANTY INFORMATION

English (EN)

Cooler Master guarantees that this device is free of defect in material and workmanship, and provides a two-year limited hardware warranty for the device commencing from the date of purchase. Please keep your receipt for proof of purchase.

This product is designed for computer usage only. Using this device in any other capacity voids the warranty. If you are not familiar with computer hardware installation, please ask for professional assistance.

The warranty offered covers normal use. Defect or damage that result from improper operation, storage, misuse or abuse, accident or neglect, which are not the fault of Cooler Master, are excluded from warranty coverage.

Note: the warranty is voided by removal or alternation of product or parts identification labels.

*All OEM/bulk packaging product come with one year limited warranty

*In case of conflict between the warranty provided by the country of point of sale and this manual, the warranty of the actual country of point of sale shall be the prevailing document.

*In case of malfunction of electronic components or need of accessories purchase during the warranty period, please return to the original store of purchase.

Türkçe (TR)

Cooler Master bu cihazda malzeme ve işçilik hatası bulunmadığını garanti eder ve cihaz için satın alma tarihinden başlayan iki yıla sınırlı bir donanım garantisi verir. Alımı belgelemek için lütfen makbuzunuzu saklayın.

Bu ürün yalnızca bilgisayar kullanımı için tasarlanmıştır. Bu cihazın başka bir kapsamda kullanılması garantiyi geçersiz kılar. Bilgisayar donanımı montajını bilmiyorsanız, lütfen profesyonel yardım talep edin.

Verilen garanti normal kullanım içindir. Cooler Master'ın hatası olmayan uygunsuz kullanım, depolama, yanlış kullanım veya kötü kullanım, kaza ya da ihmalden kaynaklanan arıza ya da hasarlar garanti kapsamının dışındadır.

Dikkat: Ürün ya da parça tanıma etiketlerinin sökülmesi ya da değiştirilmesi garantiyi geçersiz kılar.

*1. Tüm OEM/ambalajsız ürünler bir yıl sınırlı garanti ile gelir

*2. Garanti verilen ülkedeki satış noktası ve bu kullanma kılavuzu arasında bir çelişki olursa, satış noktasının bulunduğu ülkedeki garanti hükümleri öncelik taşır.

*3. Elektronik bileşenlerin arızalanması ya da garanti süresinde aksesuarların satın alınması gerekirse, lütfen ürünü satın aldığınız mağazaya başvurunuz.

Deutsch (DE)

Cooler Master garantiert, dass dieses Gerät frei ist von Material- und Herstellungsfehlern, und gewährt ab Kaufdatum eine zweijährige beschränkte Hardware-Garantie für das Gerät. Bewahren Sie die Quittung als Kaufbeleg auf. Dieses Produkt ist nur für die Verwendung mit Computern vorgesehen. Wird es in anderen Geräten verwendet, verliert die Garantie ihre Gültigkeit. Wenn Sie sich bei der Installation der Hardware unsicher sind, lassen Sie diese von Fachleuten durchführen. Die Garantie deckt nur eine normale Verwendung des Produkts ab. Fehler oder Schäden, die durch unsachgemäßen Betrieb und unsachgemäße Lagerung, falsche und unsachgemäße Verwendung, Unfälle oder fahrlässiges Verhalten verursacht werden, die nicht in der Verantwortung von Cooler Master liegen, sind von der Garantieleistung ausgeschlossen.

Hinweis: Die Garantie verliert ihre Gültigkeit, wenn Etiketten zur Produkt- oder Teileidentifikation entfernt oder geändert werden.

1. Alle OEM/Mengenverpackungen haben eine einjährige begrenzte Garantie
2. Im Fall einer Nicht-Übereinstimmung der Garantiebedingungen in diesem Handbuch und dem gültigen Recht im Verkaufsland ist das gültige Recht im Verkaufsland maßgebend.
3. Sollten innerhalb der Garantiezeit Fehlfunktionen der elektronischen Komponenten auftreten oder Zubehör benötigt werden, wenden Sie sich an das Geschäft, in dem Sie das Gerät erworben haben.

WARRANTY INFORMATION

Français (FR)

Cooler Master garantit que ce matériel est sans défaut en pièces & de main d'œuvre, et offre une garantie Limitée de deux ans pour les pièces de l'appareil, prenant effet à la date d'achat. Conservez votre reçu comme preuve d'achat. Ce produit est conçu pour être utilisé sur ordinateur seulement. L'utilisation de cet appareil dans toute autre application annulerait la garantie. Si vous n'avez pas l'habitude d'installer des matériels informatiques, faites appel à un professionnel. La garantie offerte couvre une utilisation normale. Les défauts ou dommages provenant d'un défaut d'utilisation, un mauvais stockage, mauvaise utilisation ou abus, accident ou négligence, qui ne sont pas la faute de Cooler Master, sont exclus de la couverture par la garantie.

Remarque: La garantie est annulée en cas de retrait ou de modification des étiquettes d'identification du produit ou de ses pièces.

1. Tous les produits OEM/en vrac de l'emballage sont fournis avec un an de garantie limitée
2. En cas de conflit entre la garantie fournie par le pays du point de vente et le manuel, la garantie du pays actuel du point de vente sera le document de référence.
3. En cas de dysfonctionnement des composants électroniques ou de besoin d'achat d'accessoires pendant la période de garantie, veuillez retourner au magasin d'achat d'origine.

简体中文 (ZHS)

Cooler Master 保证本设备之材质及功能无瑕疵, 并提供本设备二年之硬件有限保固服务, 自购买日算起。

请把您的收据放在安全之处, 以免 Cooler Master 要求您提供本证明。

本产品专为计算机设计。一旦将本设备用于其它用途, 则保固无效。若您不熟悉硬件安装程序, 请寻求专家之协助。保固服务仅适用于正常使用下之故障情形。若本公司发现设备毁损之原因为滥用、改造、误用、疏忽、电压供应错误、空气及水污染意外和自然灾害, 则保固无效。

注意: 重贴或条形码遭破坏而无法辨识保固期限者, 则不在此限。

*所有 OEM 及工业包装的产品皆保固一年。

*如果销售国家所提供的保固与本说明互有冲突时, 应以实际销售国家之保固为准。

*保固期内遇有电子零件故障或配件购买需求, 请联系原购买商店。

部件名称	有毒有害物质或元素					
	铅 (Pb)	汞 (Hg)	镉 (Cd)	六价铬 [Cr(VI)]	多溴联苯 (PBB)	多溴二苯醚 (PBDE)
机箱组	×	○	○	○	○	○
面板组	×	○	○	○	○	○
I/O 模组	×	○	○	○	○	○
风扇	×	○	○	○	○	○
零件包	×	○	○	○	○	○
电源	×	○	○	○	○	○

本表格依据 SJ/T 11364 的规定编制。
○: 表示该有害物质在该部件所有均质材料中的含量均在 GB/T 26572 规定的限量要求以下。
×: 表示该有害物质至少在该部件的某一均质材料中的含量超出 GB/T 26572 规定的限量要求。

Note: The form is only applied to China law.

繁體中文 (ZHT)

Cooler Master 保證本設備之材質及做工无瑕疵, 並提供本設備二年之硬體有限保固服務, 自購買日算起。

請把您的收據放在安全之處, 以免 Cooler Master 要求您提供本證明。本產品專為電腦設計。一旦將本設備用於其它用途, 則保固無效。若您不熟悉硬體安裝程式, 請尋求專家之協助。保固服務僅適用於正常使用下之故障情形。若本公司發現設備毀損之原因為濫用、改造、誤用、疏忽、電壓供應錯誤、空氣及水污染意外和自然灾害, 則保固無效。

注意: 重貼或條碼遭破壞而無法辨識保固期限者, 則不在此限。

*所有 OEM 及工業包裝的產品皆保固一年。

*如果銷售國家所提供的保固與本說明互有衝突時, 應以實際銷售國家之保固為準。

*保固期內遇有電子零件故障或配件購買需求, 請洽原購買商店。

WARRANTY INFORMATION

Cooler Master Products: Limited Warranty

This document describes the warranty terms for all Cooler Master product sold in Australia

For Australia only:

Our goods come with guarantees that cannot be excluded under the Australian Consumer Law. You are entitled to a replacement or refund for a major failure and for compensation for any other reasonably foreseeable loss or damage. You are also entitled to have the goods repaired or replaced if the goods fail to be of acceptable quality and the failure does not amount to a major failure. Telephone: +886-2-2225-3517 (standard international call charges apply.)

Who the Warranty Protects: This Warranty is valid to the original purchaser only.

What the warranty protects:

This warranty is valid only for the Cooler Master Products distributed by authorized dealer(s) in Australia. Please contact Cooler Master for warranty information and services:

• Cooler Master Support: account.coolermaster.com

What Is and Is Not Covered

It is important to note that our warranty is not an unconditional guarantee for the duration of the Program. Any replaced parts become the property of Cooler Master. The Program does not apply to the software component of a product or a product which has been damaged due to accident, misuse, abuse, improper installation, usage not in accordance with product specifications and instructions, natural or personal disaster, or unauthorized alterations, repairs or modifications.

The Program does not cover any events such as below:

- Any damages unrelated to manufacturing defects.
- Any unsuitable environment or use of the product in Cooler Master Opinion.
- Any product which has been modified without official permission from Cooler Master, or on which the serial number or warranty sticker has been defaced, modified, or removed.

Damage, deterioration or malfunction resulting from:

- Accident, abuse, misuse, neglect, fire, water, lightning, or other acts of nature, commercial or industrial use, unauthorized product modification or failure to follow instructions included with the product.
- Third party products using Cooler Master Components will not be covered by warranty. See your vendor or the manufacturer for information about servicing.
- Repair or attempted repair by anyone not authorized by Cooler Master, Inc.
- Any shipment damages (claims must be made with the carrier).
- Unauthorized repairs to a Cooler Master product will void the warranty offered by the Program. Cooler Master reserves the right to refuse to service any product which has been altered, modified or repaired by non-Cooler Master Service personnel.
- Cooler Master does not warrant that this product will meet your requirements. It is your responsibility to determine the suitability of this product for your purpose.
- Removal or installation charges.
- You are responsible for the cost of shipping the product to Cooler Master. Cooler Master pays the cost of returning a product to you.
- Cooler Master reserves the right to replace the product with a service product at their sole discretion at any time.
- Product malfunction or damage resulting from liquids or moisture.
- All accessories that malfunction due to physical damage such as: USB cables, extension cables, adapter cables, adapters, power cords, screws, retention brackets, ear cups, and all other similar accessories.

Limitation of implied warranties:

THERE ARE NO WARRANTIES, EXPRESS OR IMPLIED, WHICH EXTEND BEYOND THE DESCRIPTION CONTAINED HEREIN INCLUDING THE IMPLIED WARRANTY OF MERCHANTABILITY AND FITNESS FOR A PARTICULAR PURPOSE.

Exclusion of damages

COOLER MASTER'S LIABILITY IS LIMITED TO THE COST OF REPAIR OR REPLACEMENT OF THE PRODUCT. COOLER MASTER SHALL NOT BE LIABLE FOR:

- DAMAGE TO OTHER PROPERTY CAUSED BY ANY DEFECT IN THE PRODUCT, DAMAGES BASED UPON INCONVENIENCE, LOSS OF USE OF THE PRODUCT, LOSS OF TIME, LOSS OF PROFITS, LOSS OF BUSINESS OPPORTUNITY, LOSS OF GOODWILL, INTERFERENCE WITH BUSINESS RELATIONSHIPS OR OTHER COMMERCIAL LOSS, EVEN IF ADVISED OF THEIR POSSIBILITY OF SUCH DAMAGES.
- ANY OTHER DAMAGES, WHETHER INCIDENTAL, CONSEQUENTIAL OR OTHERWISE
- ANY CLAIM AGAINST THE CUSTOMER BY ANY OTHER PARTY

Warranty Information:

If the goods is found with reasonable defect within the period of (refer to Table A.) starting on the first day of purchase (with proof of invoice), this is what you must do, to claim the warranty from the above address.

Procedures:

1. Consumers should return to the shop where he/she has bought the goods, After confirming with the shop with a valid invoice, they may approach the distributor for RMA claim.
2. After confirmed by the distributor that the goods was damaged due to natural causes, replacement and repair will be done by distributor (including brand new or refurbished goods)
3. All faulty goods must return to the distributor, expenses for returning the faulty goods will be covered by the consumer, and distributor will cover the cost involved in the transporting of parts or repaired goods to the consumer.

WARRANTY INFORMATION

Regarding all the expenses incurred in making the claim, and this is how you would claim:

1. Within the valid warranty date, starting from the first day of issuing invoice, Retail shops will assist in confirmation with distributor for the consumer for the following.

A. If the damage was caused by the consumer, then the consumer should cover all expenses in fixing the product, if the product still can't be fixed, we would suggest consumer in buying a brand new product.

B. Product defect caused under natural use, expenses will be covered by the distributor.

2. Faulty products with expired warranty dates, we would suggest consumer to purchase a brand new products, without undergoing for repairs.

Table A:

Cooler Master Products

Please check your user manual for the exact warranty period terms for products that are not shown below.

For more warranty information, please visit our official website: <http://www.coolermaster.com/service/warranty.html>

(EN) Limited warranty period: <http://www.coolermaster.com/service/warranty.html>

(AR) المحدود الضمان فترة : <http://www.coolermaster.com/service/warranty.html>

(BG) Период на ограничена гаранция: <http://www.coolermaster.com/service/warranty.html>

(CS) Období omezené záruky: <http://www.coolermaster.com/service/warranty.html>

(DA) Begrænset garanti: <http://www.coolermaster.com/service/warranty.html>

(DE) Beschränkter Garantiezeitraum: <http://www.coolermaster.com/service/warranty.html>

(EL) Περίοδος περιορισμένης εγγύησης: <http://www.coolermaster.com/service/warranty.html>

(ES) Periodo de garantía limitada: <http://www.coolermaster.com/service/warranty.html>

(FA) مدت زمان گارانتی : <http://www.coolermaster.com/service/warranty.html>

(FI) Rajoitettu takuuajakso: <http://www.coolermaster.com/service/warranty.html>

(FR) Période de garantie limitée: <http://www.coolermaster.com/service/warranty.html>

(HU) Korlátozott jótállási időszak: <http://www.coolermaster.com/service/warranty.html>

(HR) Razdoblje ograničenog jamstva: <http://www.coolermaster.com/service/warranty.html>

(ID) Masa garansi terbatas: <http://www.coolermaster.com/service/warranty.html>

(IT) Periodo di garanzia limitata: <http://www.coolermaster.com/service/warranty.html>

(JA) 限定保証期間 : <http://www.coolermaster.com/service/warranty.html>

(KO) 제한 보증 기간: <http://www.coolermaster.com/service/warranty.html>

(KK) Кепілдік мезімі: <http://www.coolermaster.com/service/warranty.html>

(NL) Beperkte garantieperiode: <http://www.coolermaster.com/service/warranty.html>

(NO) Garantiperiode, begrenset garanti: <http://www.coolermaster.com/service/warranty.html>

(PL) Okres ograniczonej gwarancji: <http://www.coolermaster.com/service/warranty.html>

(PT) Periodo de garantia limitada: <http://www.coolermaster.com/service/warranty.html>

(RU) Ограниченный гарантийный срок: <http://www.coolermaster.com/service/warranty.html>

(SR) Period ograničene garancije: <http://www.coolermaster.com/service/warranty.html>

(SV) Begränsad garantiperiod: <http://www.coolermaster.com/service/warranty.html>

(TR) Sınırlı garanti süresi: <http://www.coolermaster.com/service/warranty.html>

(UK) Обмежений гарантійний термін: <http://www.coolermaster.com/service/warranty.html>

(ZHT) 有限保固期間 : <http://www.coolermaster.com/service/warranty.html>



Make It Yours

Europe - Cooler Master Europe B.V.
Lodewijkstraat 1b, 5652Ac Eindhoven,
The Netherlands
Tel: +31-(0)40-702-0900

North America - Cooler Master NA
908 Canada Court City of Industry, CA 91748, USA
Tel: +1-888-624-5099

Cooler Master China
Room 112, Building 9, No. 327,
Songjin Road, Jinshanwei Town,
Jinshan Dist., Shanghai City, China
Tel: 400-9986-400



CoolerMaster website
For the most updated information,
Please visit our official website:
www.coolermaster.com



User Manual



Cooler Master Europe B.V.
Lodewijkstraat 1b, 5652AC Eindhoven,
the Netherlands
consumer_care@coolermaster.eu

512007551-GP Ver 2.0: 2025/11



The color and specification are subject to be changed without further notification.
Please visit our website for updated information: www.coolermaster.com

©2025 Cooler Master Technology Inc. All Rights Reserved. All trademarks are registered to their respective owners.