

TEMPO™ FLOOR SUPPORT MOUNT

Products shown: TFSMHB Tempo Floor Support Mount with Asian Night Wood Door

Whether it's single or dual monitors, the Tempo Floor Support Mount delivers unmatched flexibility, stability, and style—all without relying on wall strength.

The Tempo Floor Support Mount is the next evolution of Chief's trusted AVSFSS, reimagined through direct customer feedback. Designed to solve the common challenge of uncertain wall construction, Tempo offers an aesthetically stylish two-column support system that transfers display weight directly to the floor—making it the go-to choice when wall integrity is in question.

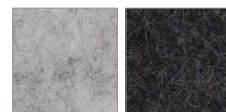
Tempo delivers major upgrades in both aesthetic design and display capacity, all while simplifying the installation process.

FEATURES

- All-in-One Solution
- Installs directly into drywall, no need to locate studs
- Uprights can move independently along wall to avoid obstructions
- Cable management within uprights and behind the covers
- Interchangeable felt and wood door kits can be switched to match interior design colorways
- Universal Video Bar Mounts included
- Lever Lock and Rack-Mounted storage included
- Optional mount accessories support single XL and ultrawide 21:9 displays, and dual displays up to 98"
- Optional Middle Atlantic PD-715SC-NS power strip for added convenience



FELT DOOR KIT OPTIONS



SILVER GRAY
PET FELT

CHARCOAL
GRAY PET
FELT

WOOD DOOR KIT OPTIONS



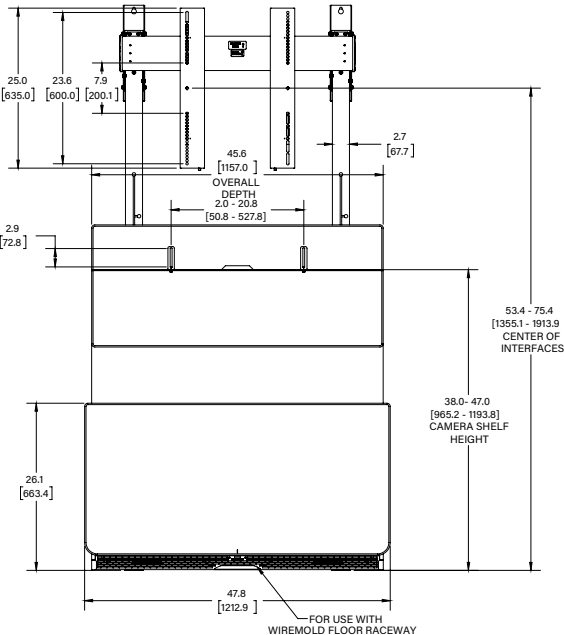
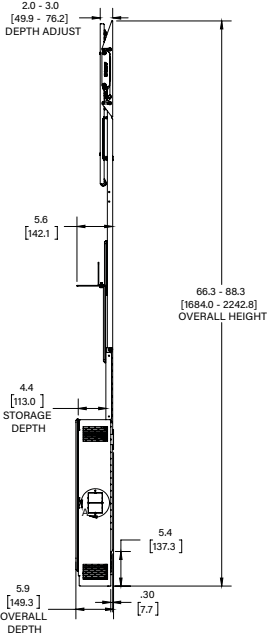
WILSONART®
DESIGNER
WHITE

WILSONART®
ASIAN NIGHT

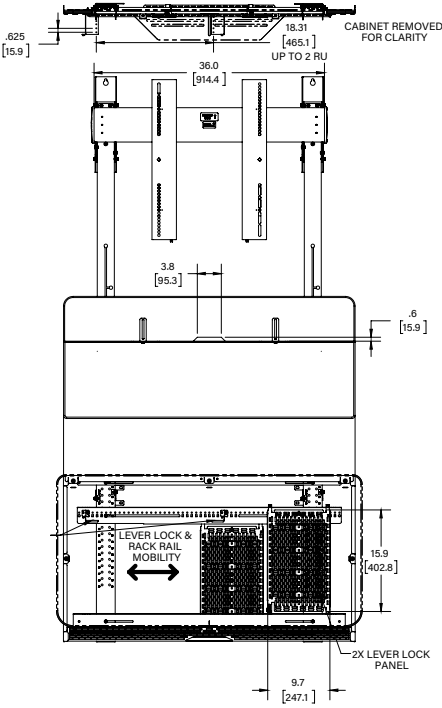
TEMPO™ FLOOR SUPPORT MOUNT

SPECIFICATIONS

- Weight Capacity: 200 lbs (90.7 kg)
- Display Center to Floor Height Range: 53.4 - 75.4" (1355 - 1913 mm)
- Lateral Upright Spacing: 23.9 - 32.3" (608 - 821 mm)
- Minimum Depth Added to Mount and Display: 0.30" (7.7 mm)
- VESA: 200x200 to 800x600 mm
- Lateral Column Shift
- 1" (25.4 mm) Display Depth Adjust Range
- 2RU of vertical-mounted rack storage
- Includes two 15"x10" Lever Lock storage plates for small devices
- Supports single displays up to 98" and up to 200 lbs (90.7 kg); compatible with 200x200 to 800x600 mm VESA patterns
- Single XL & 21:9 Displays – Supports single XL displays (75"+) and ultrawide 21:9 displays with wider VESA patterns. Order TFSA1X Tempo Floor Support XL Display Accessory along with the Tempo Floor Support Mount for VESA patterns ranging from 900x600 mm to 1500x600 mm.
- Dual Displays – Supports dual 98" displays; order a TFSA2L or TFSA2X accessory along with your Tempo Floor Support Mount.



(*) THE INTERFACES MAY NEED TO BE REVERSED





TEMPO™ FLOOR SUPPORT MOUNT

SPECIFICATIONS

Products shown: TFSMHW Tempo Floor Support Mount with Designer White Wood Door, TFSA2L Large Dual Display Accessory, 2x TFS-ADAWP-24SLG 4" ADA Panels

TEMPO FLOOR SUPPORT MOUNT

Model	Description	Weight Capacity	Typical Screen Sizes
TFSMB	Tempo Floor Support Mount and Frame, Black Powdercoat with Charcoal Gray Felt	200 lbs (90.7 kg)	55-98"
TFSMW	Tempo Floor Support Mount and Frame, White Powdercoat with Silver Gray Felt	200 lbs (90.7 kg)	55-98"
TFSMHB	Tempo Floor Support Mount and Frame, Black Powdercoat, Wood Door Kit in Wilsonart® Asian Night HPL with Black Locks	200 lbs (90.7 kg)	55-98"
TFSMHW	Tempo Floor Support Mount and Frame, Wood Door Kit in Wilsonart® Designer White HPL with White Locks	200 lbs (90.7 kg)	55-98"
TFSMBP7	Tempo Floor Support Mount and Frame, Black Powdercoat, Charcoal Gray Felt with Power for US & Canada	200 lbs (90.7 kg)	55-98"
TFSMWP7	Tempo Floor Support Mount and Frame, White Powdercoat, Silver Gray Felt with Power for US & Canada	200 lbs (90.7 kg)	55-98"
TFSMHBP7	Tempo Floor Support Mount and Frame, Black Powdercoat, Wood Door Kit in Wilsonart® Asian Night HPL, Black Locks with Power for US & Canada	200 lbs (90.7 kg)	55-98"
TFSMHP7	Tempo Floor Support Mount and Frame, White Powdercoat, Wood Door Kit in Wilsonart® Designer White HPL, White Locks with Power for US & Canada	200 lbs (90.7 kg)	55-98"

MOUNT ACCESSORIES

Model	Description	Weight Capacity	Typical Screen Sizes
TFSA2L	Tempo Floor Support Dual Display Accessory for 55" to 75" Displays	200 lbs (90.7 kg)	55-75"
TFSA2X	Tempo Floor Support XL Dual Display Accessory for 80" to 98" Displays	300 lbs (136.1 kg)	80-98"
TFS1X	Tempo Floor Support XL Display Accessory	200 lbs (90.7 kg)	81-105"

STORAGE DOOR ACCESSORIES

Model	Description
TFSAMD8	Chief Tempo Wood Door Kit, HPL in Designer White
TFSAMA3	Chief Tempo Wood Door Kit, HPL in Asian Night

ADA-COMPLIANT ACCESSORIES

Model	Description
ADA-WT-4IN-CHG	4" ADA-Compliant Wall Tiles in Charcoal Gray Felt
ADA-WT-4IN-SLG	4" ADA-Compliant Wall Tiles in Silver Gray Felt

USA 866.977.3901 av.support@legrand.com
 CANADA 877.345.4329 av.support@legrand.com
 EMEA +31 495 580 840 av.emea.sales@legrand.com
 APAC +852 2145 4099 av.asia.sales@legrand.com