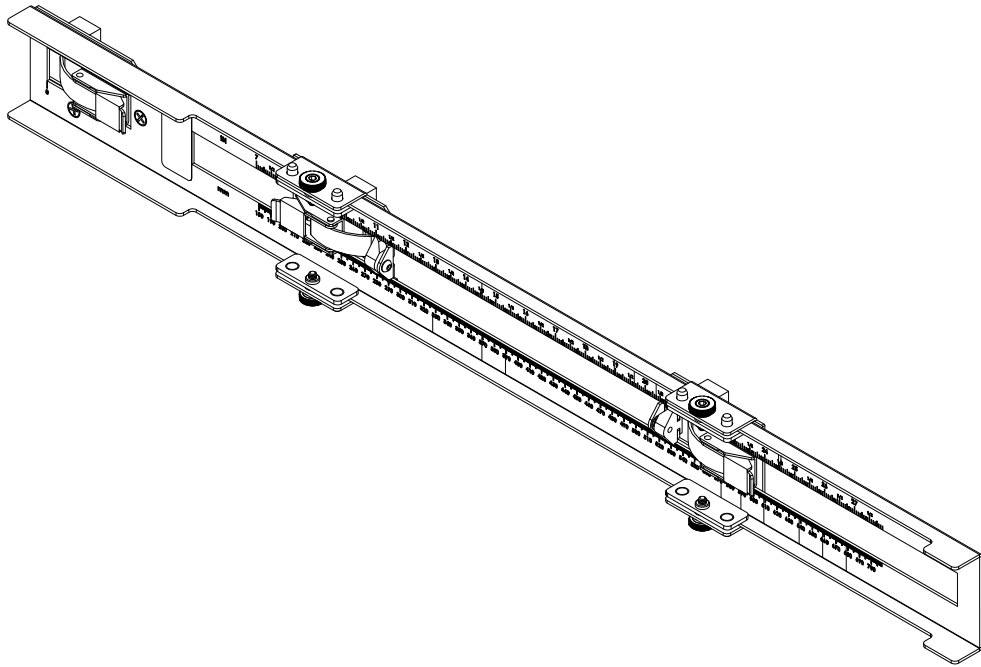

INSTALLATION INSTRUCTIONS



TILED™ 700mm Universal Spacer Tool

CHIEF®
A brand of  legrand®

DVA700

DISCLAIMER

Legrand | AV and its affiliated corporations and subsidiaries (collectively “Legrand | AV”), intend to make this manual accurate and complete. However, Legrand | AV makes no claim that the information contained herein covers all details, conditions or variations, nor does it provide for every possible contingency in connection with the installation or use of this product. The information contained in this document is subject to change without notice or obligation of any kind. Legrand | AV makes no representation of warranty, expressed or implied, regarding the information contained herein. Legrand | AV assumes no responsibility for accuracy, completeness or sufficiency of the information contained in this document.

Chief® and Tempo™ are registered trademarks of Legrand AV Inc.

DEFINITIONS

MOUNTING SYSTEM: A MOUNTING SYSTEM is the primary Chief product to which an accessory and/or component and/or another mounting system is attached.

ACCESSORY: AN ACCESSORY is the secondary Chief product which is attached to a primary Chief product, and may have a component attached or setting on it.

COMPONENT: A COMPONENT is an audiovisual item designed to be attached or resting on an accessory or mounting system such as a video camera, CPU, screen, display, projector, etc.



WARNING: A WARNING alerts you to the possibility of serious injury or death if you do not follow the instructions.



CAUTION: A CAUTION alerts you to the possibility of damage or destruction of equipment if you do not follow the corresponding instructions.



IMPORTANT SAFETY INSTRUCTIONS



WARNING: Failure to read, thoroughly understand, and follow all instructions can result in serious personal injury, damage to equipment, or voiding of factory warranty! It is the installer's responsibility to make sure all mounting systems are properly assembled and installed using the instructions provided.



WARNING: Use this mounting system only for its intended use as described in these instructions. Do not use attachments not recommended by the manufacturer.



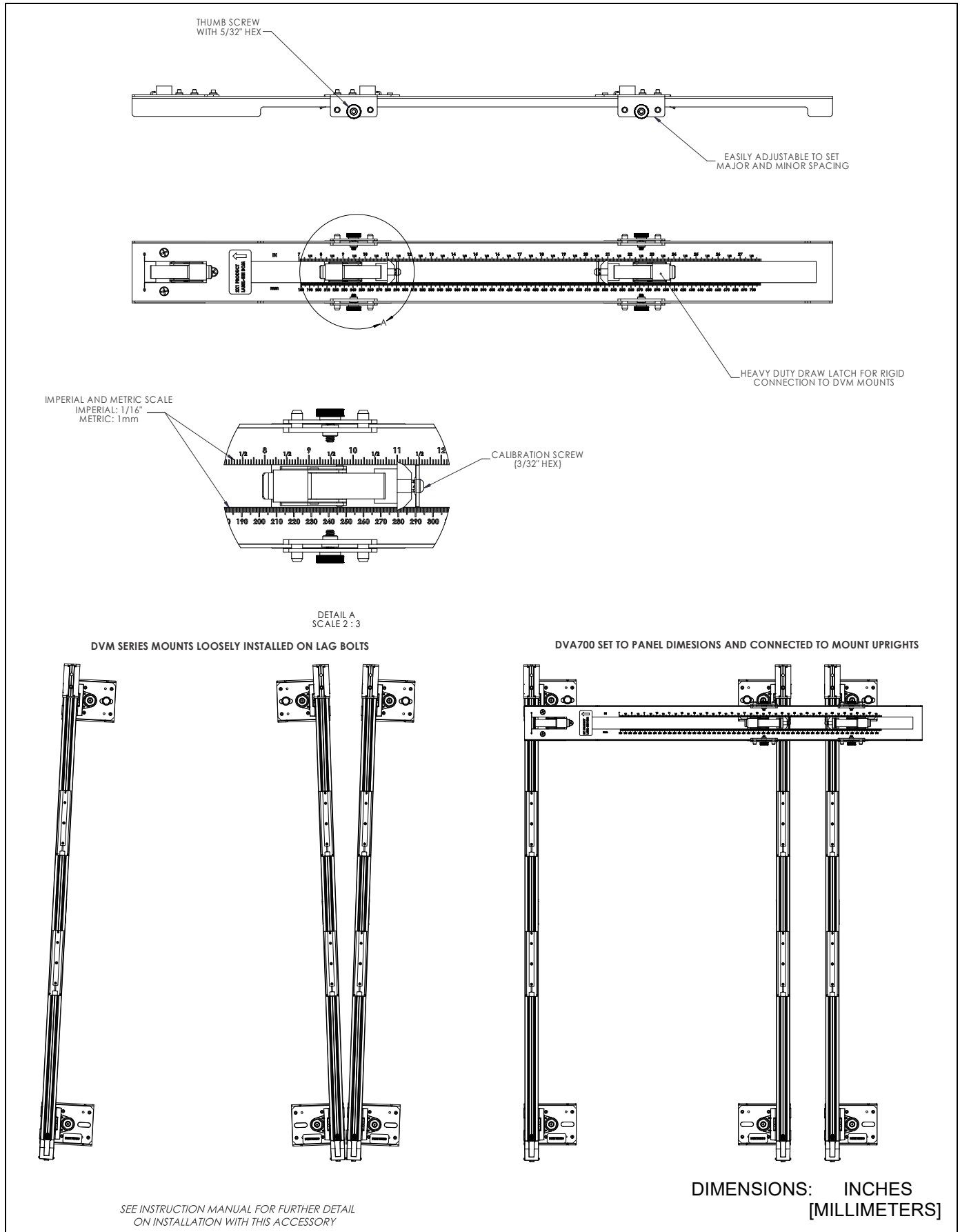
WARNING: Never operate this mounting system if it is damaged. Return the mounting system to a service center for examination and repair.



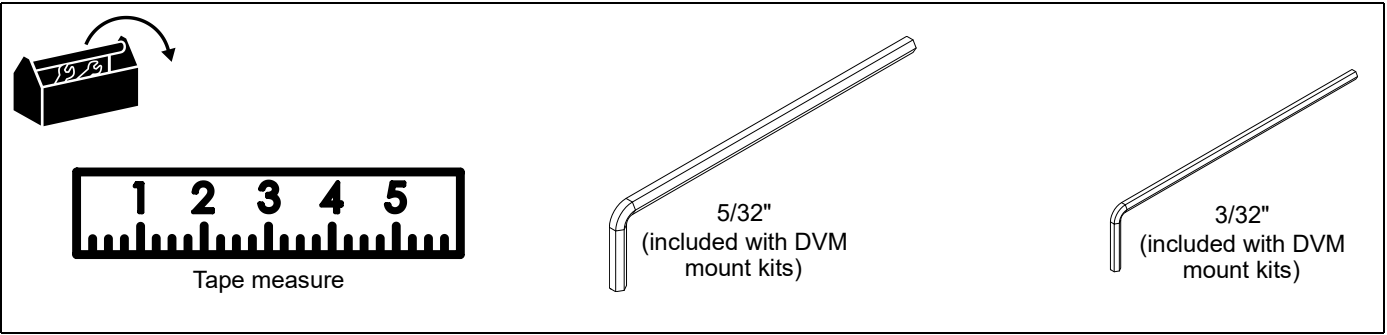
WARNING: Do not use this mounting system outdoors.

--SAVE THESE INSTRUCTIONS--

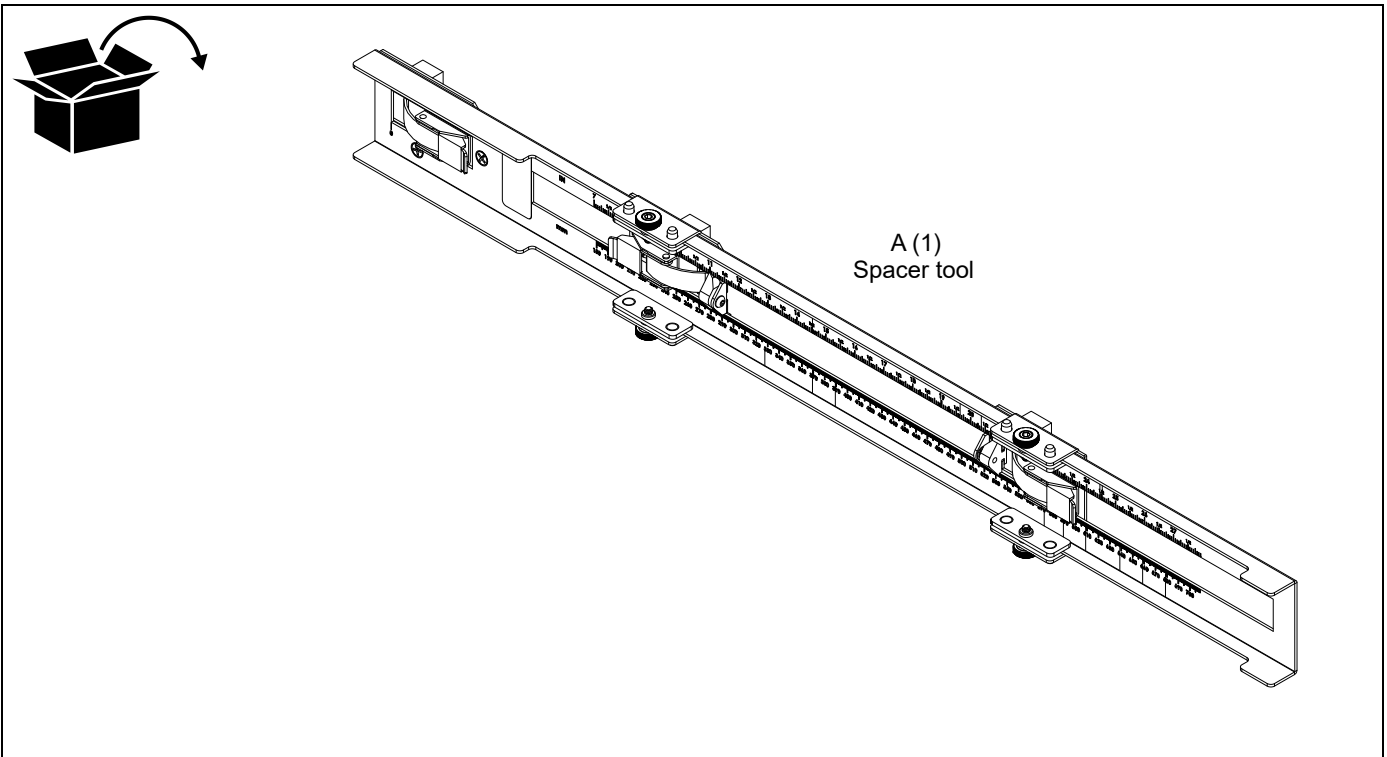
DIMENSIONS



TOOLS REQUIRED FOR INSTALLATION



PARTS



Operation - One Spacer Tool

IMPORTANT ! : Before utilizing the spacer tool (A), make sure the level horizontal line has been marked on the wall surface and the left upright has been installed.

1. Determine the exact width of both the mounting pattern and the body of the display. (See Figure 1)

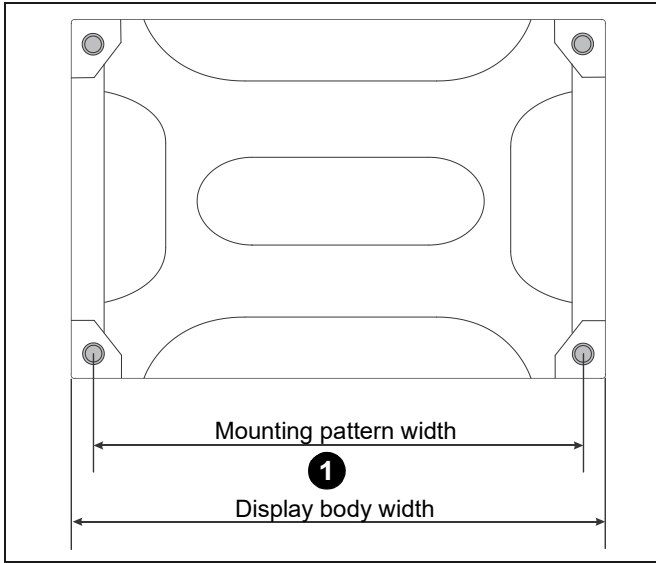


Figure 1

2. Adjust the position of the left slider to the exact measurement of the mounting pattern width. (See Figure 2)
3. Adjust the position of the right slider to the exact measurement of the display body width. (See Figure 2)

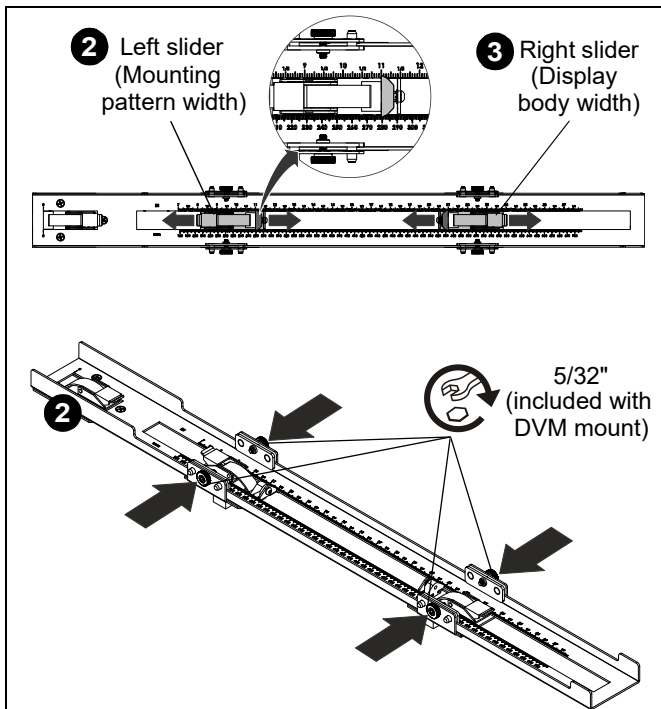


Figure 2

4. Place the spacer tool (A) over one left upright and one right upright. Slide the spacer tool up towards the top of the uprights until it stops against the mounting flanges. Position the uprights so that they are flush against the blocks on the underside of the spacer tool. (See Figure 3)

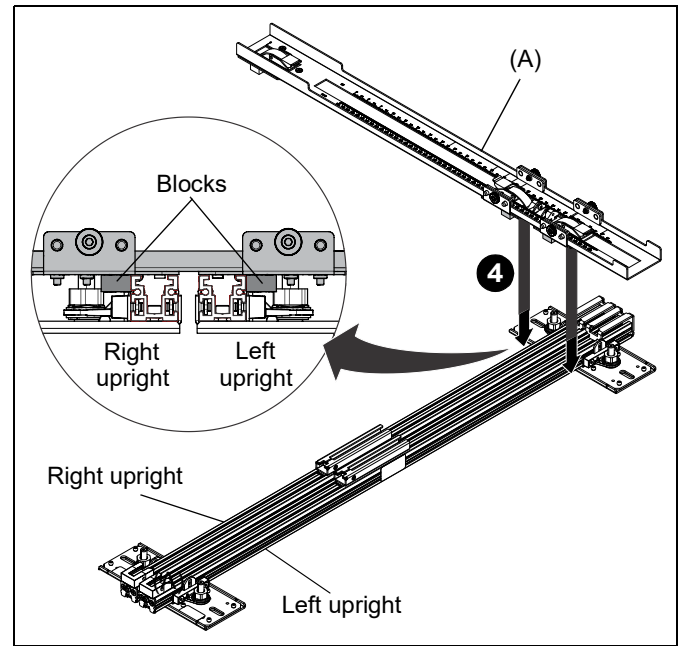


Figure 3

5. Once the position is set, clamp the spacer tool (A) to both the right and left uprights. (See Figure 4)

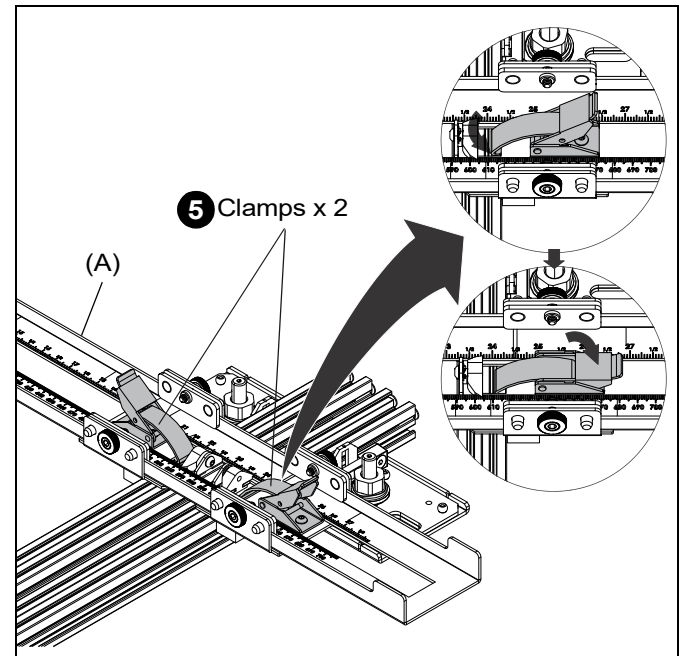


Figure 4

6. Place the spacer tool (A) with the attached right and left uprights against the wall, positioning the clamp on the open end of the spacer tool over the left upright installed to the wall. (See Figure 5)
7. Slide the spacer tool up towards the top of the upright until it stops against the mounting flange and clamp the spacer tool to the upright. (See Figure 5)

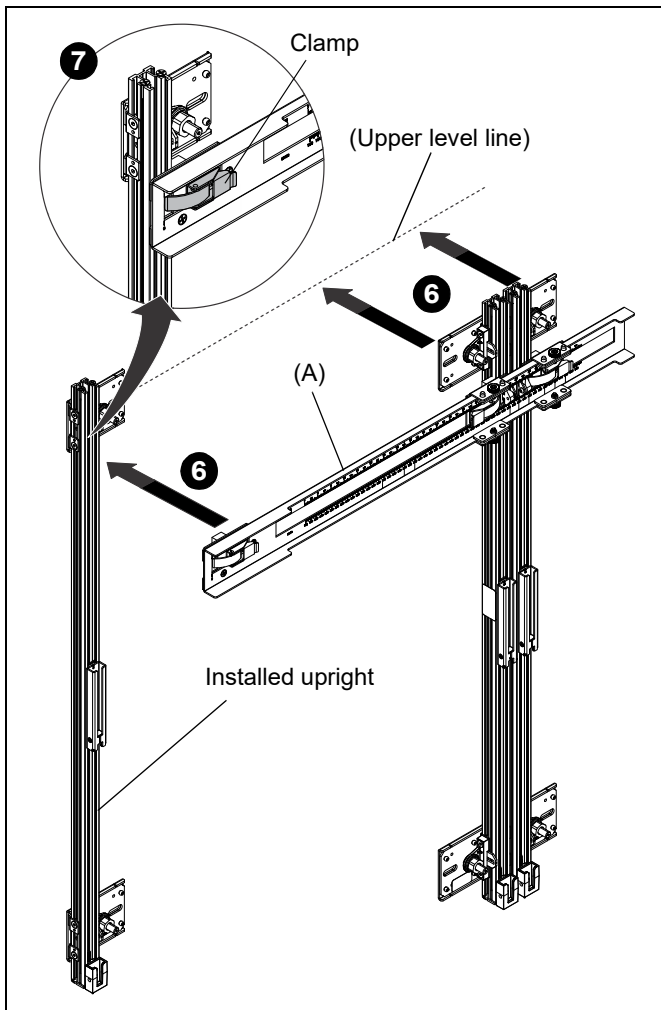


Figure 5

8. Adjust the position of the right and left upright attached to the spacer tool (A) until the upper slots in the mounting flanges line up with the upper horizontal level line.
9. Install the uprights to the wall using the appropriate hardware per the specific requirements of your installation. (See Figure 6)

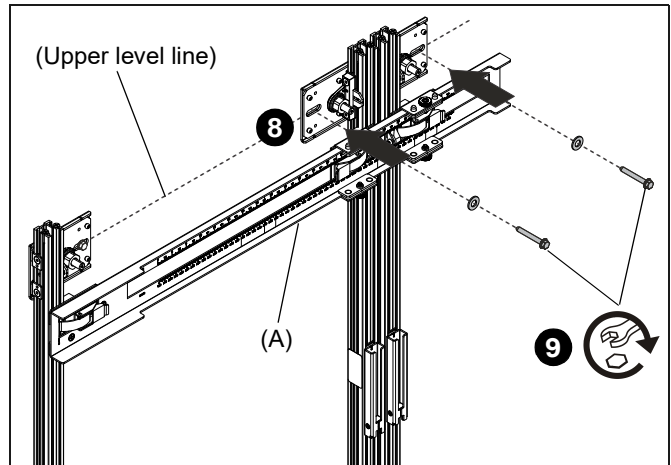


Figure 6

10. Remove the spacer tool (A) from all three uprights and reinstall it at the bottom of the assembly.

IMPORTANT ! : Slide the spacer tool down towards the bottom of the uprights until it stops against the mounting flanges. Position the uprights so that they are flush against the blocks on the underside of the spacer tool. Close the clamps to secure the spacer tool to the uprights.

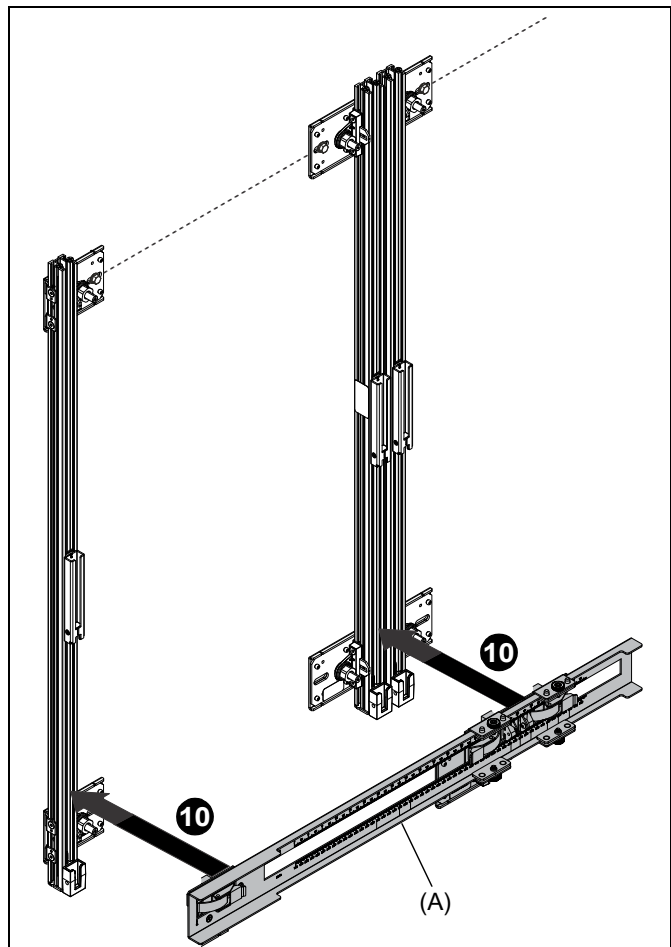


Figure 7

11. Install the uprights to the wall using the appropriate hardware per the specific requirements of your installation.

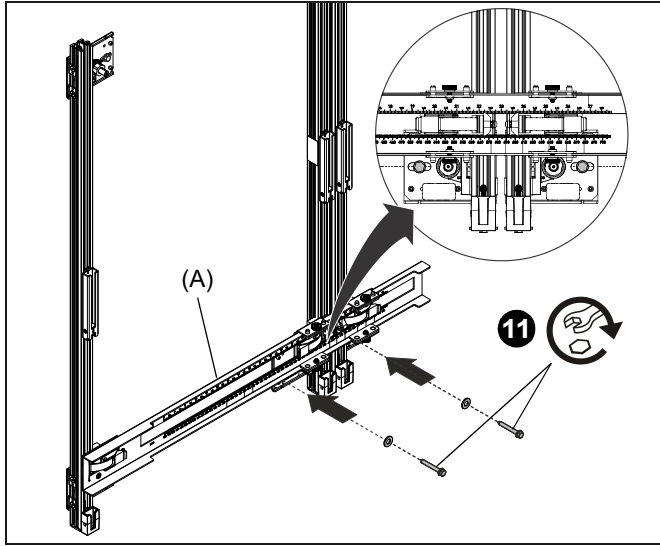


Figure 8

12. Remove the spacer tool from the uprights. Repeat the process to install the remaining uprights.

Operation - Two Spacer Tools

1. Follow the process in the **Operation - One Spacer Tool** section through step 5 (attaching the first spacer tool to the uprights).
2. Attach the second spacer tool (not included) to the bottom end of the uprights immediately after attaching the first spacer tool (A). (See Figure 9)

NOTE: Attach both spacer tools to the uprights before moving the assembly to the wall.

3. Continue following the process in the **Operation - One Spacer Tool** section until the uprights have been installed to the wall. Step 10 (removing and reinstalling the upper spacer tool) will no longer be needed.

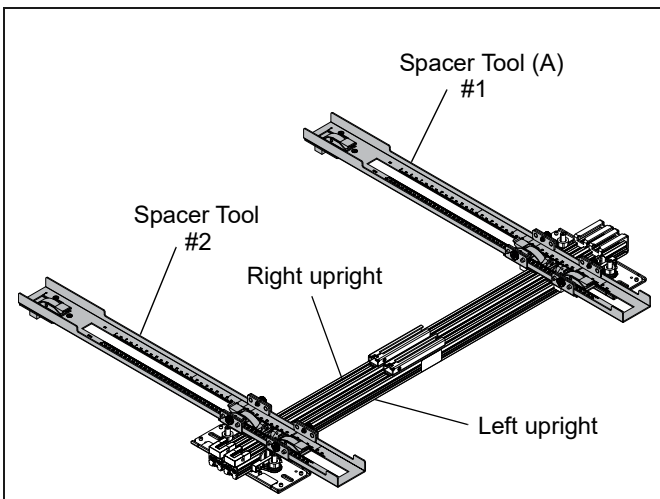


Figure 9

Calibration

IMPORTANT ! : Verify that the calibration is correct prior to installing the spacer tool (A) to the uprights.

1. The spacer tool (A) can be calibrated by adjusting the screws on the inside edges of the sliders. (See Figure 10)

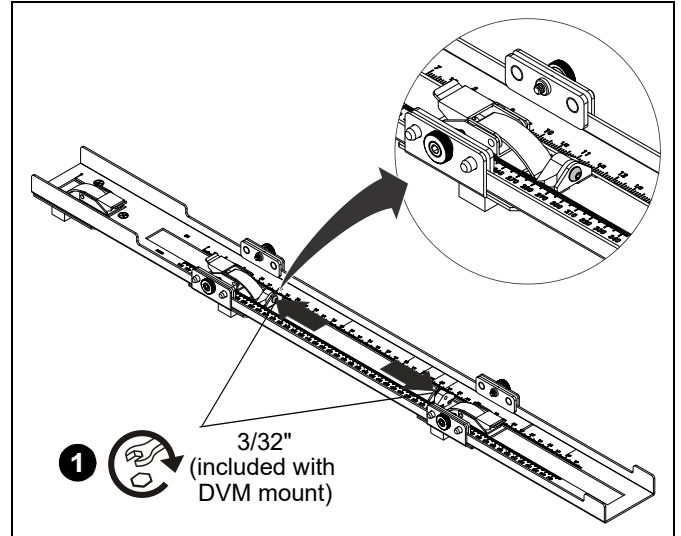


Figure 10

CHIEF®

A brand of  **legrand**

8800-003433 Rev00
©2025 Legrand | AV
www.legrandav.com
10/2025

USA/International	A 6436 City West Parkway, Eden Prairie, MN 55344 P 800.582.6480 / 952.225.6000 F 877.894.6918 / 952.894.6918
Europe	A Franklinstraat 14, 6003 DK Weert, Netherlands P +31 (0) 495 580 852 F +31 (0) 495 580 845
Asia Pacific	A Office No. 918 on 9/F, Shatin Galleria 18-24 Shan Mei Street Fotan, Shatin, Hong Kong P 852 2145 4099 F 852 2145 4477

