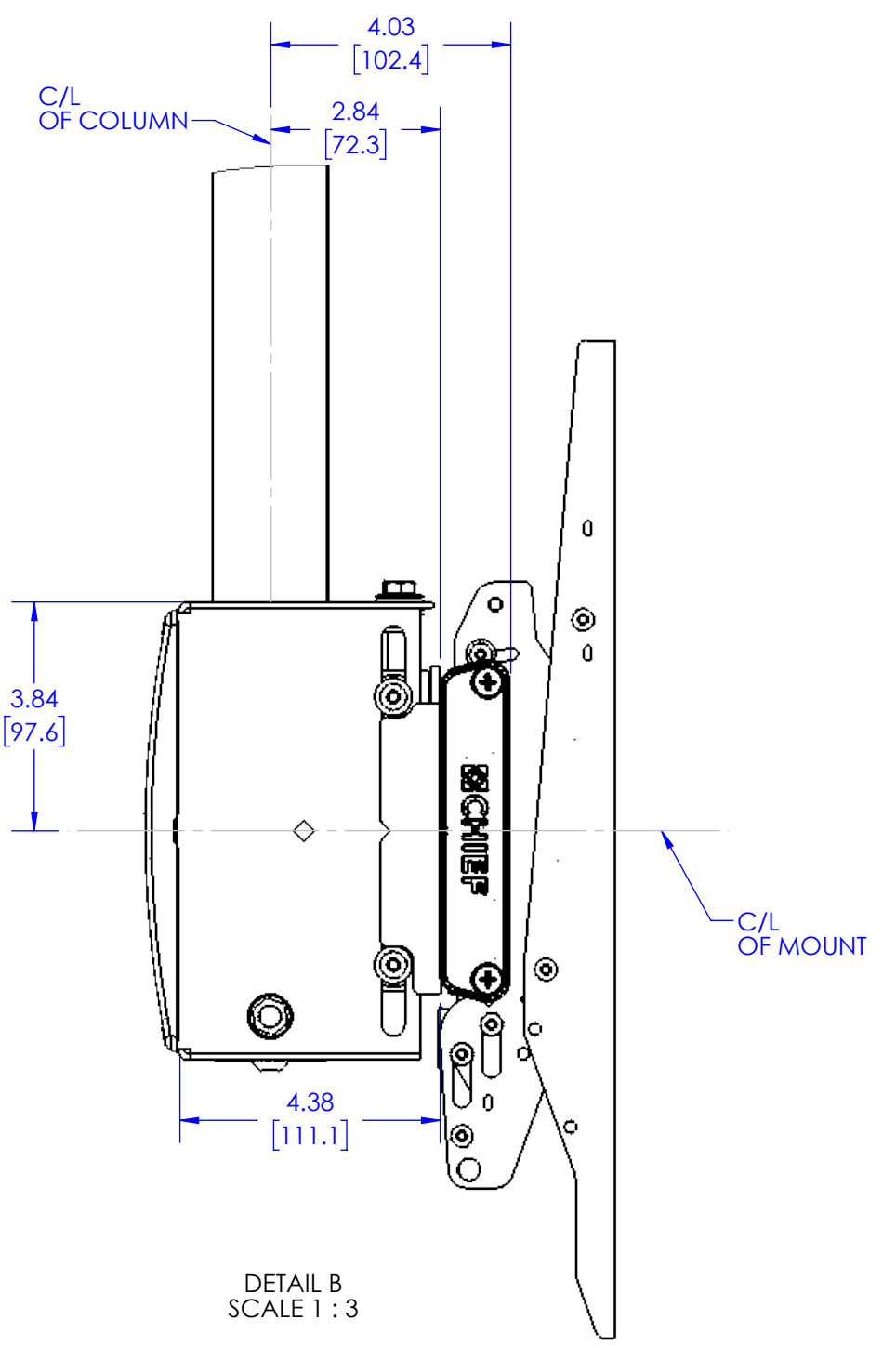
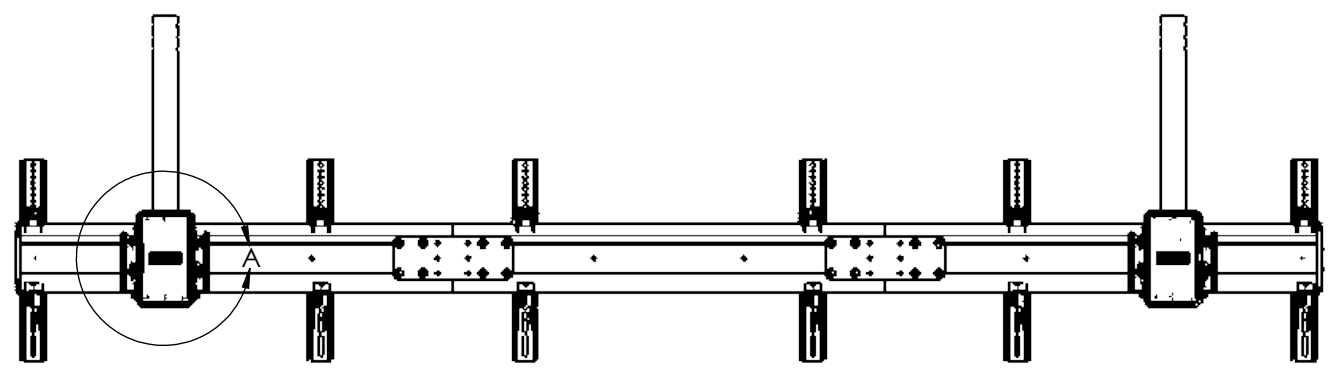


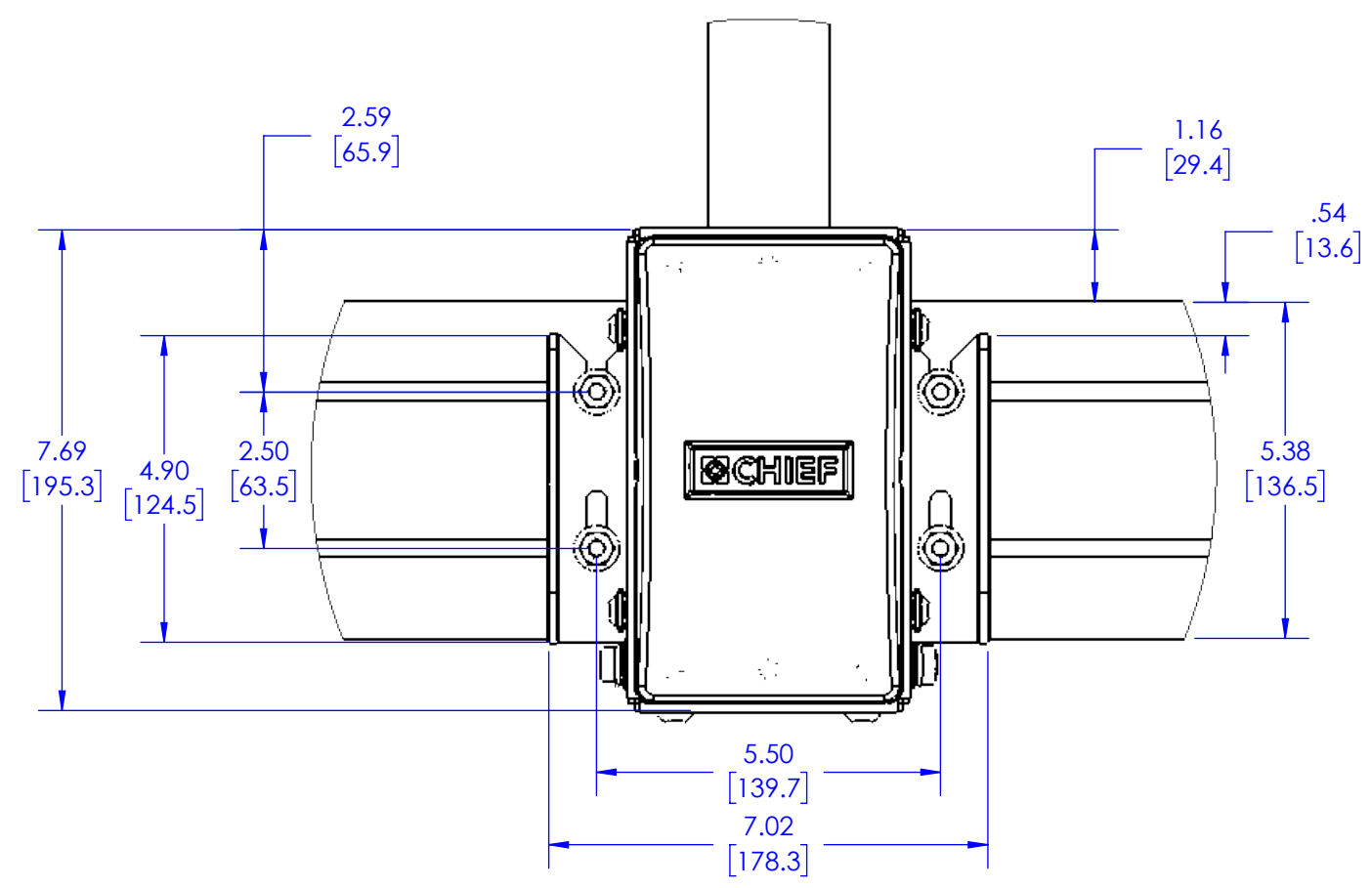
3 WIDE LANDSCAPE					
EXTRUSION LENGTH (IN)	MINIMUM SCREEN WIDTH TO HIDE BAR (IN)	MOUNTING PATTERN WIDTH (MM)	DISTANCE BETWEEN SCREENS (IN)	MAX SCREEN WIDTH (IN)	TOTAL SCREEN WIDTH (IN)
108	36.3	600	0.0625	41.11	123.46
		400		45.05	135.28
		300		47.02	141.19
		200		48.99	147.10

THE INFORMATION AND DESIGNS CONTAINED IN THIS DRAWING ARE CONFIDENTIAL AND THE PROPRIETARY PROPERTY OF LEGRAND | AV. NEITHER THIS DESIGN NOR ANY INFORMATION CONTAINED IN THIS DRAWING MAY BE REPRODUCED OR DISCLOSED TO OTHERS WITHOUT THE EXPRESS WRITTEN CONSENT OF LEGRAND | AV.

CAD GENERATED DRAWING, DO NOT MANUALLY UPDATE.				6436 CITY WEST PKWY EDEN PRAIRIE, MN, 55344 PHONE: 866-977-3901 FAX: 877-894-6918	
DRAWN BY	CT	12/12/2024	DESCRIPTION		
ENG APPROVAL			MENUBOARD, CEILING MT, 3 WIDE, MOD		
MFG APPROVAL			MODEL NO.		
QA APPROVAL			SIZE	DWG. NO.	REV.
SHEET 1 OF 4		SCALE	B	TECH-001325	00



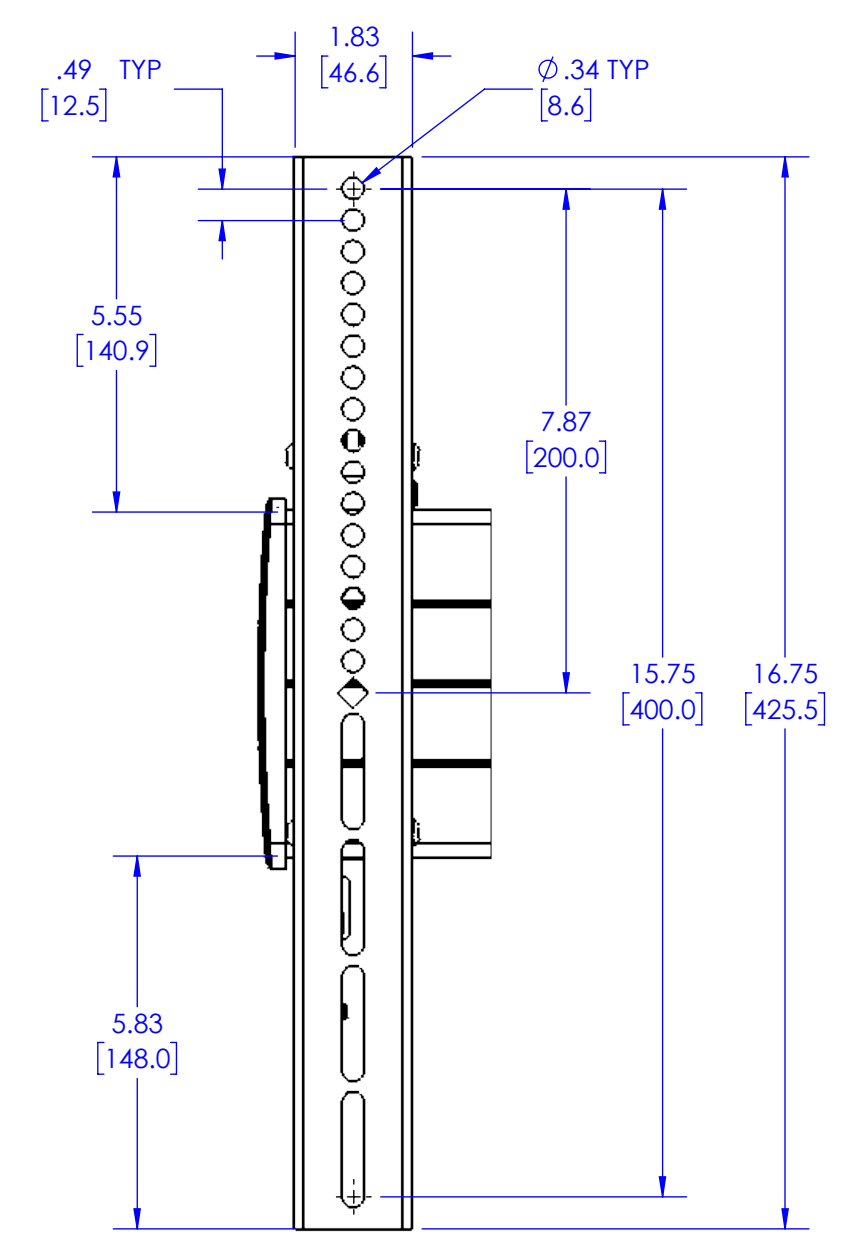
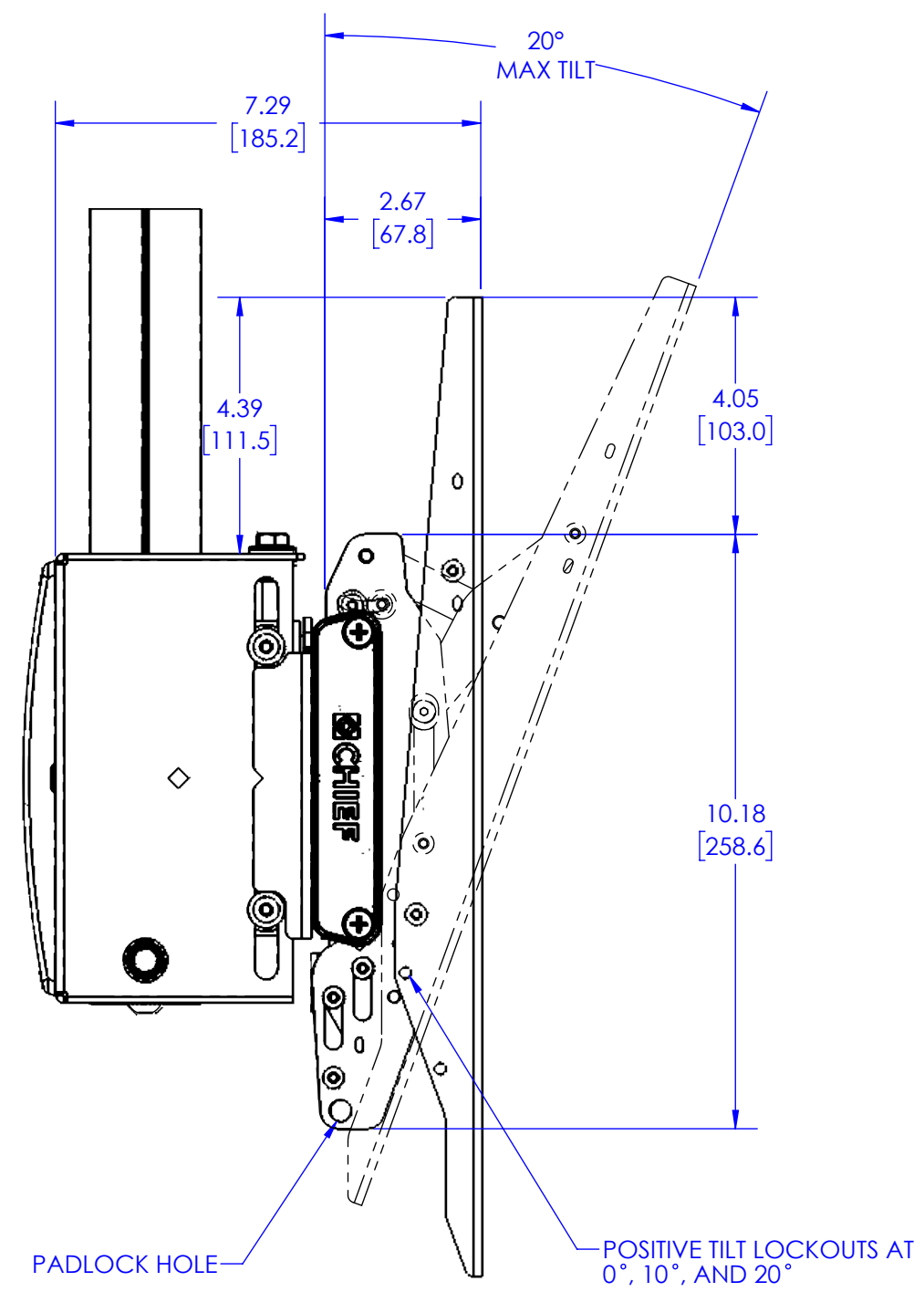
DETAIL B
SCALE 1 : 3



DETAIL A
SCALE 1 : 3

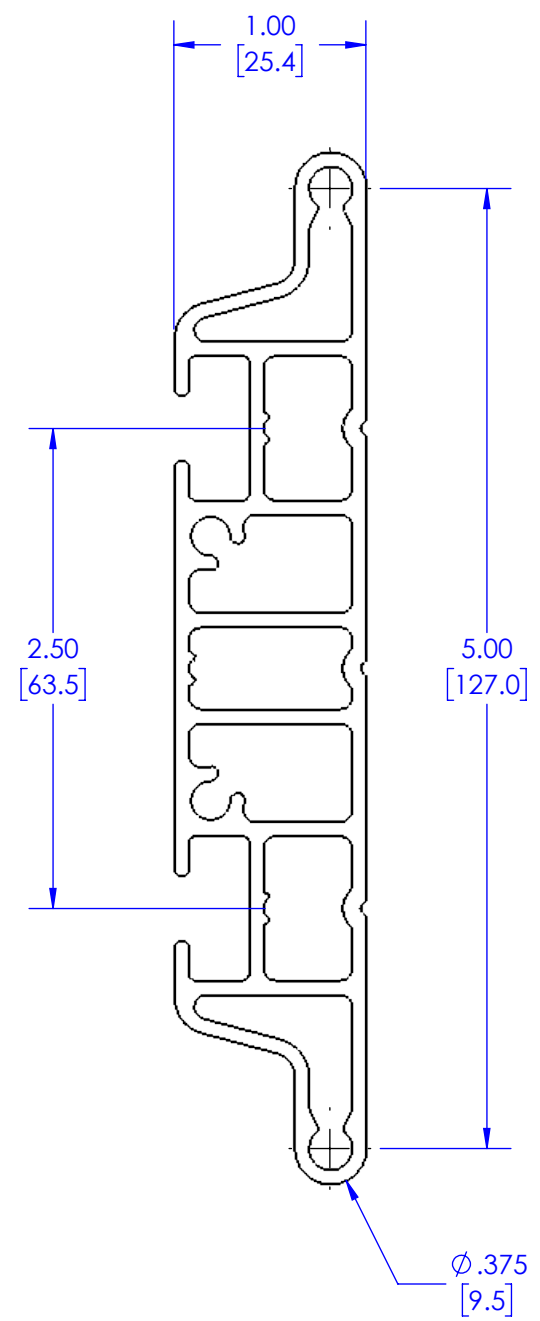
THE INFORMATION AND DESIGNS CONTAINED IN THIS DRAWING ARE CONFIDENTIAL AND THE PROPRIETARY PROPERTY OF LEGRAND | AV. NEITHER THIS DESIGN NOR ANY INFORMATION CONTAINED IN THIS DRAWING MAY BE REPRODUCED OR DISCLOSED TO OTHERS WITHOUT THE EXPRESS WRITTEN CONSENT OF LEGRAND | AV.

CAD GENERATED DRAWING, DO NOT MANUALLY UPDATE.				6436 CITY WEST PKWY EDEN PRAIRIE MN, 55344 PHONE: 866-977-3901 FAX: 877-894-6918	
DRAWN BY	CT	12/12/2024	DESCRIPTION		
ENG APPROVAL			MENUBOARD, CEILING MT, 3 WIDE, MOD		
MFG APPROVAL			MODEL NO.		
QA APPROVAL			SCALE		REV.
SHEET 2 OF 4		1:16	SIZE B	DWG. NO. TECH-001325	00



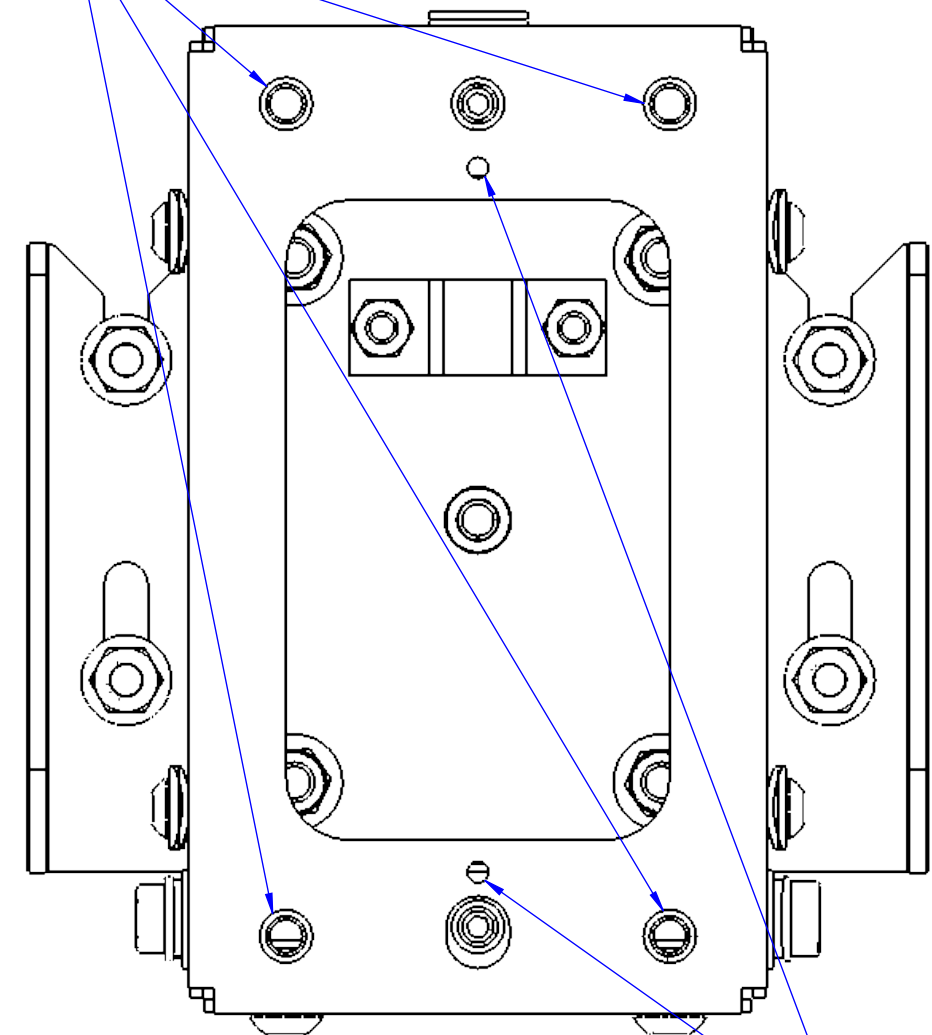
THE INFORMATION AND DESIGNS CONTAINED IN THIS DRAWING ARE CONFIDENTIAL AND THE PROPRIETARY PROPERTY OF LEGRAND | AV. NEITHER THIS DESIGN NOR ANY INFORMATION CONTAINED IN THIS DRAWING MAY BE REPRODUCED OR DISCLOSED TO OTHERS WITHOUT THE EXPRESS WRITTEN CONSENT OF LEGRAND | AV.

CAD GENERATED DRAWING, DO NOT MANUALLY UPDATE.		<p>6436 CITY WEST PKWY EDEN PRAIRIE MN, 55344 PHONE: 866-977-3901 FAX: 877-894-6918</p>
DRAWN BY	CT 12/12/2024	
ENG APPROVAL		DESCRIPTION
MFG APPROVAL		MENUBOARD, CEILING MT, 3 WIDE, MOD
QA APPROVAL		MODEL NO.
SHEET 3 OF 4		SCALE
		1:16
SIZE	DWG. NO.	REV.
B	TECH-001325	00



EXTRUSION PROFILE

FOR MOUNTING
OPTIONAL CPU ENCLOSURES
FCA510 AND FCA515
OR ATTACHING BACK ROW
FOR MENU BOARD



MOUNTING HEAD
BACK VIEW

FOR ATTACHING
FCA540 OUTLET
BOX ACCESSORY

THE INFORMATION AND DESIGNS CONTAINED IN THIS DRAWING ARE CONFIDENTIAL AND THE PROPRIETARY PROPERTY OF LEGRAND | AV. NEITHER THIS DESIGN NOR ANY INFORMATION CONTAINED IN THIS DRAWING MAY BE REPRODUCED OR DISCLOSED TO OTHERS WITHOUT THE EXPRESS WRITTEN CONSENT OF LEGRAND | AV.

CAD GENERATED DRAWING, DO NOT MANUALLY UPDATE.					6436 CITY WEST PKWY EDEN PRAIRIE, MN, 55344 PHONE: 866-977-3901 FAX: 877-894-6918	
DRAWN BY	CT	12/12/2024	DESCRIPTION			
ENG APPROVAL			MENUBOARD, CEILING MT, 3 WIDE, MOD			
MFG APPROVAL			MODEL NO.			
QA APPROVAL			SCALE	SIZE	DWG. NO.	REV.
SHEET 4 OF 4			1:16	B	TECH-001325	00