

Reads:



1D BARCODES, 2D BARCODES

XtremeScan 963 v17e

Rugged Professional Long-Range 1D/2D
Bluetooth LE Barcode Scanners for iPhone
17e (also compatible with iPhone 16e)

Long-Distance Scanning | Rugged IP67 Rated
Scans on Screen

Built for extreme industrial environments, the 963 equips the Apple® iPhone® 17e with powerful long-range scanning capabilities. This handheld solution enables workers to scan 1D/2D barcodes at impressive distances (up to 46 feet) with speed and accuracy while offering Socket Mobile's highest level of industrial-grade durability.



This product uses a Bluetooth LE (Low Energy) connection method that is different from our Bluetooth Classic data readers and **requires a supported software application**. Before purchasing, please confirm your app uses the latest version of Socket Mobile's [CaptureSDK](#) or [contact us](#) to discuss your requirements.

The XtremeScan 963 combines a military-grade iPhone case and a high-performance, long-range barcode scanner into a compact, rugged scanning solution. Designed for warehousing, logistics, manufacturing, and field operations, the 963 empowers mobile workers to capture barcodes from remarkable distances—minimizing repositioning, climbing, or interruption during scanning tasks.

Equipped with a long-range 1D/2D scan engine, the 963 reads barcodes as far as 46 feet, depending on barcode type and size. Whether scanning shelf tags, pallet labels, or individual asset barcodes at a distance, the 963 delivers fast, omnidirectional

scanning with a high-precision aimer designed for accurate targeting in all lighting conditions.

Built for durability, the IP67-sealed XtremeScan housing protects the iPhone from dust, water, and drops, making it ready for the rigors of industrial use. The iPhone remains secure and protected throughout the workday, and users can still access and use the phone's native camera without removing it from the case.

Available Configurations

- **XtremeScan XS963 (Standard Handheld):**

Rugged handheld scanner with an integrated military-grade iPhone® case. Ideal for users who need a fully protected, all-in-one device that's compact, lightweight, and easy to maneuver.

- **XtremeScan Grip XG963 (with Pistol Grip Handle):**

Same as the standard model, but includes an ergonomic pistol grip handle for enhanced comfort and control during scan-intensive tasks or long shifts. The handle supports one-handed, point-and-shoot scanning without sacrificing mobility.

Optional Upgrade:

All configurations are available with a **factory-new, pre-installed 256GB iPhone® 17e**. This upgrade delivers a fully assembled industrial data capture solution, enabling faster deployment and minimizing setup complexity in the field.

Available in the following bundles

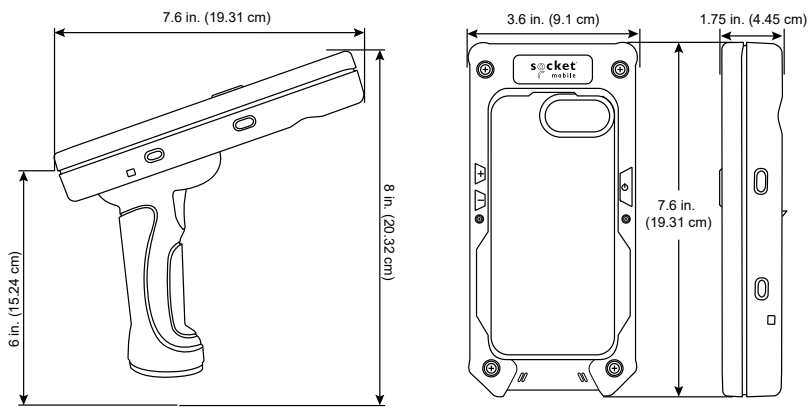
- **XTREMESCAN-963 + [Charging Dock w/ Vehicle Mount](#)** – Dock your reader into your vehicle with a pre-attached RAM® 1" Diamond Ball Mount. Compatible with thousands of RAM arms and bases.
- **XTREMESCAN-963 + [Charging Dock](#)** – For secure storage and convenient device charging between uses.
- **XTREMESCAN-963 + [Holster](#)** – Easily connects to a belt or mounts to equipment for quick and easy access.

Features

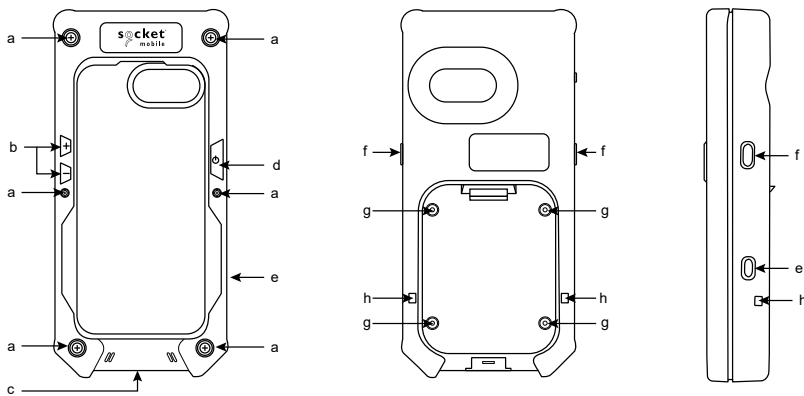
- **Rapid Scanning** — Fast 1D/2D scanning for both printed and on-screen barcodes, featuring omnidirectional capability for intuitive, rapid scanning.

- **Advanced Decoding** — Accurately captures data from scratched, damaged, smudged, or low-contrast barcodes, helping to reduce failed scans, minimize delays, and increase productivity when working in challenging environments.
- **Rugged Design** — Built to withstand drops and harsh environments, with an IP67 sealed housing for protection from dust, water exposure, and water immersion.
- **Long Scanning Range** — Scans barcodes ranging in size from 3 mils to 100 mils at distances from 2.2 inches to 46 feet.
- **Precision Aimer** — High-visibility aimer ensures fast, accurate barcode targeting across various distances.
- **One-Handed Solution** — Easily combine the mobile device and data reader for a one-handed scanning solution.
- **Bluetooth LE Support** — Enables dependable, low-power wireless connectivity for extended battery life and fast pairing through Bluetooth Low Energy.
- **Long-Lasting Battery** — Scanner features rechargeable and field-replaceable battery that lasts a full shift.
- **Intuitive User Indicators** — **LED lights** that indicate successful data read/write and battery charging status.
- **Audible Feedback** — Multiple **feedback tones** to indicate successful data read/write and other important action confirmations.
- **Easy App Integration** — Socket Mobile's CaptureSDK (version 2.0.29 or higher) enables easy integration in your applications to improve business productivity with fast, efficient, and reliable data transfer over Bluetooth wireless technology. Data reader works out of the box for apps that have already integrated CaptureSDK, with support for Bluetooth LE devices.
- **1-Year Warranty Included** — **Extended warranty** options also available.
- **Designed and Assembled in the USA** — Socket mobile data readers are built at our headquarters in Fremont, CA.

Dimensions



External Control



a. Screw placement

b. Volume buttons

c. Charging dock port

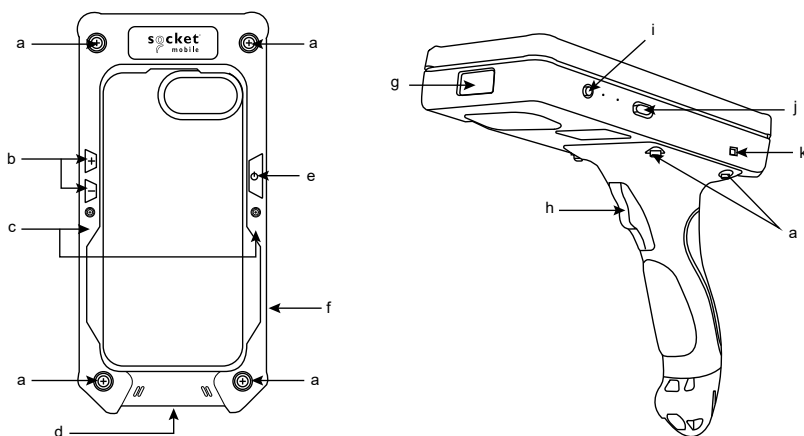
d. iPhone power button

e. USB-C charging port

f. Scan button

g. Screw placement

h. Wrist eyelet



a. Screw placement

b. iPhone volume button

c. Scan LED

d. Charging Dock port

e. Power button

g. Scan window

h. Scan button

i. Scanner power button

j. Scan button

k. Wrist eyelet

Reading Performance

Default Barcode Symbologies

- **1D Symbologies:** Bookland Ean, Codabar, Code 128, Code 39, Code 93, Ean Jan 13, Ean Jan 8, Gs1 128, Gs1 Databar Expanded, Gs1 Databar Limited, Gs1 Databar Omnidirectional, Interleaved 2 5, Isbt 128 Udi, Trioptic, Upc A, Upc E
- **2D Symbologies:** Aztec, Composite, Data Matrix, Dotcode, Gs1 Data Matrix, Gs1 Qr, Maxicode, Micropdf417, Micro Qr, Pdf417, Qr
- **OCR Typeface:** Ocr A, Ocr B

Learn how to [enable and disable](#) data types.

Supported Barcode Symbologies

- **1D Symbologies:** Code 11, Matrix 2 5, Msi
- **Postal Codes:** Australia Post, Japan Postal, Mailmark, Netherlands Kix, Uk Postal, Us Planet, Us Postnet, Usps 4Cb One Intelligent Mail
- **OCR Typeface:** Micr E13b

Learn how to [enable and disable](#) data types.

Print Contrast

Down to 25%-20%

Scan Angle

44.5° (Horizontal) - 33.5° (Vertical)

Sensor Resolution

1280 horizontal x 960 vertical pixels

2.2 in. to 554 in. (271 in. to 1407.2 cm.) Depends on barcode size, symbology, label media.

	Barcode Type	Near	Far
Decode Range	3 mil Code 39	2.7 in./6.9 cm	16.2 in./41.1 cm
	5 mil Code 39	2.5 in./6.4 cm	26.6 in./67.6 cm
	5 mil PDF417	2.8 in./7.1 cm	19.6 in./49.8 cm
	6.7 mil PDF417	2.6 in./6.6 cm	25.6 in./65.0 cm
	10 mil DataMatrix	2.2 in./5.6 cm	271 in./68.8 cm
	100% UPC (13 mil)	2.5 in./6.4 cm	71 in./180 cm
	15 mil Code 128	7.2 in./18.2 cm	72 in./182.9 cm
	20 mil Code 39		109 in./276.9 cm
	55 mil Code 39		293 in./744.2 cm
	100 mil Code 39		554 in./1407.2 cm
	100 mil DataMatrix		270 in./685.8 cm

* All decode ranges based on Grade A, photographic quality barcodes printed on paper.

Battery Information

Battery Type	1 rechargeable Lithium Ion Polymer
Life per full charge	Charge Time : Approx 7.0h
Battery weight	22 g
Percentage lithium	2.64%
mAh	1200
Cells per battery	1
Watts per battery	4.44
Cell type	Battery Pack
Chemical composition	Lithium - polymer
Lithium content	.58 g

Voltage	3.7v
Hazmat UN Number	UN3481, P.I. 967
ROHS Compliance	Yes, on the battery & scanner
Country of origin	China
Commodity code	8507.60.0000

Bluetooth Information

Bluetooth Radio	Class 2 Bluetooth, version 2.1 + EDR (Enhanced Data Rates) with 56-bit data encryption
Bluetooth Radio	Bluetooth LE
Bluetooth Profiles	<ul style="list-style-type: none">• Application Mode - requires a compatible app with Socket Mobile CaptureSDK

Operating Systems



Packaging

Data Reader with Charging Cable

- Data Reader
- Charging Cable with USB-C to USB-A adapter
- Get Started Guide

Data Reader with Charging Dock

- Data Reader
- Charging Dock
- USB-C Cable
- Get Started Guide

Data Reader with Charging Dock and Mount

- Data Reader

- Charging Dock
- Mount
- USB-C Cable
- Get Started Guide

Data Reader with Holster

- Data Reader
- Charging Cable with USB-C to USB-A adapter
- Holster
- Get Started Guide

Common Uses

- Warehouse Management
- Logistics Management
- Baggage Handling
- Oil & Gas
- Manufacturing
- Inspections & Audits
- Construction

User Environments

Ambient Light	From 0 to 100 000 lux. From pitch black to direct sunlight.
Charging Temperature	Charging in an ambient temperature above 40° C / 100° F may result in charging issues.
Drop Specifications	<p>Standard:</p> <ul style="list-style-type: none"> • 10 ft. (3.1m) drop at room temperature per MIL-STD-810G <p>Freezer:</p> <ul style="list-style-type: none"> • 8 ft. (2.4m) drop to concrete across temperature per MIL-STD-810G • 7 ft. (2.1m) drop to concrete across temperature per MIL-STD-810G.
Operating Temperature	0° to 45° C (32° to 113° F)
Relative Humidity	95% at 60° C (140° F) (non-condensing)

Sealing	IP67 (Ingress protection rating for dust and water) meets IEC sealing and EN60529 specifications.
Storage Temperature	-40° to 70° C (-40° to 158° F)
Tumble Specification	2,500 cycles at 3.3 ft. (1 m) to a metal plate, IEC6008-2-31, IEC60068-2-32 3.

Certification & Regulatory

Bluetooth SIG:

- Declaration ID: D030529 QD ID: 82009

Electrical Safety:

- EN 62368-1:2020 + A11:2020
- IEC 62368-1:2018
- UL 62368-1:2019 R10.21
- CSA C22.2 NO. 62368-1:19

Environmental:

- RoHS EN 50581

EMI / RFI:

- FCC Part 15 Class C, RSS 210, iCES 003, C-Tick, CISPR 22, CE EN55022, EN55024
- TELEC:
- FCC ID: LUBMA41
- IC ID: 2529A-MA41M9

LED Safety:

- IEC 60825-1
- EN 60825-1



Product SKUs

- **HC2113-3846** - XG, Cable Only, iPhone 17e included
- **CX4588-3842** - XG, Cable Only, Not included (data reader only)
- **HC2117-3854** - XS, Cable Only, iPhone 17e included
- **CX4592-3850** - XS, Cable Only, Not included (data reader only)

- **HC2114-3847** - XG, Charging Dock, iPhone 17e included
- **CX4589-3843** - XG, Charging Dock, Not included (data reader only)
- **HC2118-3855** - XS, Charging Dock, iPhone 17e included
- **CX4593-3851** - XS, Charging Dock, Not included (data reader only)

- **HC2116-3849** - XG, Charging Dock w/ Mount, iPhone 17e included
- **CX4591-3845** - XG, Charging Dock w/ Mount, Not included (data reader only)
- **HC2120-3857** - XS, Charging Dock w/ Mount, iPhone 17e included
- **CX4595-3853** - XS, Charging Dock w/ Mount, Not included (data reader only)

- **HC2115-3848** - XG, Holster, iPhone 17e included
- **CX4591-3845** - XG, Holster, Not included (data reader only)
- **HC2119-3856** - XS, Holster, iPhone 17e included
- **CX4594-3852** - XS, Holster, Not included (data reader only)

