

Reads:



1D BARCODES, 2D BARCODES

XtremeScan Grip XG940

Rugged Performance 1D/2D Barcode Scanner
w/Pistol Grip

High-Volume Scanning | **Rugged IP67 Rated**
Scans on Screen

Our most rugged, ergonomic barcode scanner, the XG940 is built for the harshest industrial environments. It combines a military-grade iPhone case, a durable barcode scanner, and a pistol grip handle into an easy “point & shoot” industrial-grade solution.

Compatible with iPhone 17e, 16e, 16, and 15.

The scanner's integration with a heavy-duty case is designed to withstand demanding industrial environments, and the pistol grip handle provides an extra level of comfort and convenience for constant scanning during long shifts. The XtremeScan case provides IP67-sealed housing for protection from dust, water exposure, and water immersion. It includes an integrated wireless charger, so you can charge the iPhone without removing it from the case.

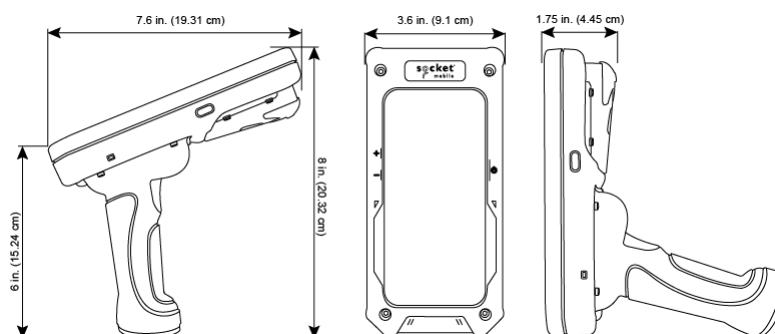
With a compatible iPhone, the XtremeScan Grip XG940 1D/2D Universal barcode scanner becomes a versatile and powerful mobile solution that can be used with a variety of industrial applications. The XG940 features fast 1D/2D, omnidirectional scanning for printed or on-screen barcodes with a highly visible and safe LED aimer. Depending on the barcode symbology, width, size, and label media, the XG940 can scan from 1.5 inches to 19.5 inches (3.8 to 49.5 cm). The industrial-grade, rugged housing can handle multiple drops onto concrete.



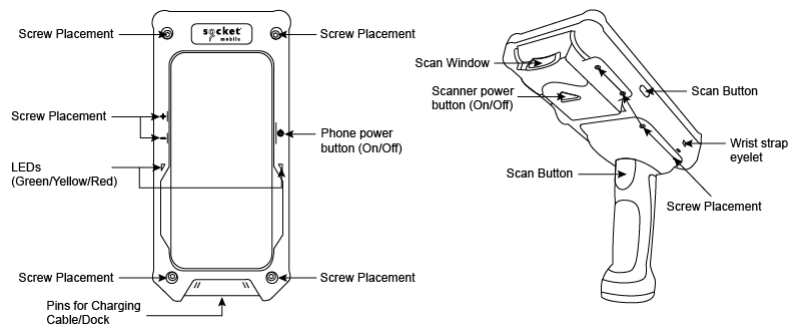
Features

- **Rapid Scanning** — Fast 1D/2D scanning for both printed and on-screen barcodes, featuring omnidirectional capability for intuitive, rapid scanning.
- **Rugged Design** — Built to withstand drops and harsh environments, with an IP67 sealed housing for protection from dust, water exposure, and water immersion.
- **Pistol Grip Handle** — Comfortable point-and-shoot barcode reading.
- **Charging** — Case charges both devices (Apple iPhone & Socket Mobile scanner).
- **One-Handed Solution** — Easily combine the mobile device and data reader for a one-handed scanning solution.
- **Long-Lasting Battery** — Scanner features rechargeable and field-replaceable battery that lasts a full shift.
- **Intuitive User Indicators** — **LED lights** that indicate successful data read/write and battery charging status.
- **Audible Feedback** — Multiple **feedback tones** to indicate successful data read/write and other important action confirmations.
- **Bluetooth Classic Wireless Integration** — Dependable Bluetooth connection to host devices.
- **Easy App Integration** — Socket Mobile's CaptureSDK (version 2.0.29 or higher) enables easy integration in your applications to improve business productivity with fast, efficient, and reliable data transfer over Bluetooth wireless technology. Data reader works out of the box for apps that have already integrated CaptureSDK, with support for Bluetooth LE devices.
- **Developer Support** — Our support team is available to assist with set-up and operation.
- **1-Year Warranty Included** — **Extended warranty** options also available.
- **Designed and Assembled in the USA** — Socket mobile data readers are built at our headquarters in Fremont, CA.

Dimensions



External Control



Reading Performance

Default Barcode Symbologies

- **1D Symbologies:** Bookland Ean, Codabar, Code 128, Code 39, Code 93, Ean Jan 13, Ean Jan 8, Gs1 128, Gs1 Databar Expanded, Gs1 Databar Limited, Gs1 Databar Omnidirectional, Interleaved 2 5, Isbt 128 Udi, Trioptic, Upc A, Upc E
- **2D Symbologies:** Aztec, Composite, Data Matrix, Dotcode, Gs1 Data Matrix, Gs1 Qr, Han Xin, Maxicode, Micropdf417, Micro Qr, Pdf417, Qr
- **OCR Typeface:** Ocr B

Learn how to [enable and disable](#) data types.

Supported Barcode Symbologies

- **1D Symbologies:** Chinese 2 5, Code 11, Matrix 2 5, Msi
- **Postal Codes:** Australia Post, Japan Postal, Mailmark, Netherlands Kix, Uk Postal, Us Planet, Us Postnet, Usps 4Cb One Intelligent Mail
- **OCR Typeface:** Micr E13b, Ocr A

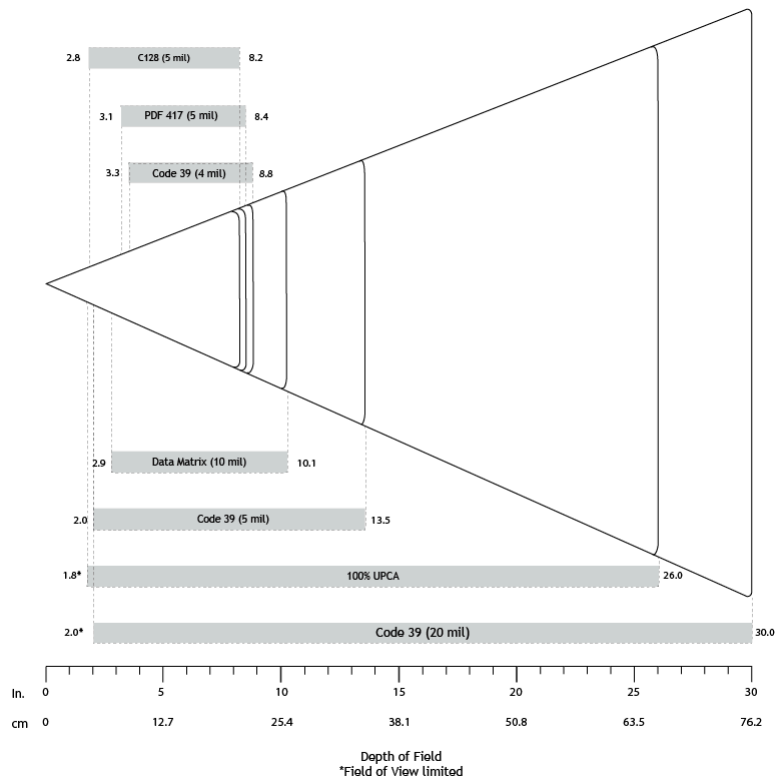
Learn how to [enable and disable](#) data types.

Scan Angle 44.5° (Horizontal) - 33.5° (Vertical)

Sensor Resolution 1280 horizontal x 960 vertical pixels

Print Contrast Down to 25%-20%

Reading Distance



4.1 to 91.7 cm (1.6 to 35.1 in.) Depends on barcode size, symbology, label media.

Decode Ranges

	Near	Far
3 mil Code 39	3.0 in/5.8 cm	7.6 in/14.7 cm
5 mil Code 128	2.3 in/5.8 cm	9.8 in/24.9 cm
5 mil PDF 417	3.0 in/7.6 cm	7.9 in/20.1 cm
6.67 mil PDF 417	2.5 in/6.3 cm	10.1 in/25.7 cm
10 mil DataMatrix	2.1 in. / 5.3 cm	11.0 in. / 27.8 cm
100% UPC A	1.6 in/4.1 cm*	24.9 in/63.2 cm
15 mil Code 128	2.4 in. / 6.1 cm	27.8 in. / 70.6 cm
20 mil Code 39	1.6 in/4.1 cm*	36.1 in/91.7 cm
20 mil QR Code	1.1 in. / 2.8cm	17.5 in. / 44.5 cm

Battery Information

Battery Type 1 rechargeable Lithium Ion Polymer (replaceable battery)

Charge Time 8 Hours

Life of battery	500 charge-discharge cycles
Life per full charge	<p>Standby time: 25 hours</p> <p>Active Scan Time: 10,000 scans within 11 hours (based on one scan every 4 seconds)</p> <p><i>Note: Battery life varies depending on ambient temperature, ambient light, and the age of the battery.</i></p>
Battery weight	12.5g
Percentage lithium	36.3%
mAh	700
Cells per battery	1
Watts per battery	2.59
Cell type	Proprietary
Chemical composition	Lithium - polymer
Lithium content	4.5g
Voltage	3.7v
Hazmat UN Number	UN3481, P.I. 967
ROHS Compliance	Yes, Included with Scanner
Country of origin	China
Commodity code	8507.60.0000

Bluetooth Information

Bluetooth Range	Up to 10 meters (33 ft.), depending on the environment. The range limit is usually due to the Host Device (phone, tablet, or notebook).
Bluetooth Radio	Class 2 Bluetooth, version 2.1 + EDR (Enhanced Data Rates) with 56-bit data encryption

Bluetooth Profiles

- **Basic Mode** - Human Interface Device (HID)
- **Application Mode** - Serial Port Profile (SPP)
- **iOS Application Mode** (Default)

Some Operating Systems or smartphone/tablet models may support only one profile.

Operating Systems



Packaging

- Data Reader
- Charging Cable with USB-C to USB-A adapter
- Get Started Guide

Common Uses

- Warehouse Management
- Manufacturing
- Commercial Solutions
- Transportation & Logistics Solutions

User Environments

Ambient Light	From 0 to 100 000 lux. From pitch black to direct sunlight.
Operating Temperature	0° to 45° C (32° to 113° F)
Storage Temperature	-40° to 70° C (-40° to 158° F)
Charging Temperature	Charging in an ambient temperature above 40° C / 100° F may result in charging issues.
Relative Humidity	95% at 60° C (140° F) (non-condensing)

Sealing

IP67 (Ingress protection rating for dust and water) meets IEC sealing and EN60529 specifications.

Drop Specifications

Standard:

- 10 ft. (3.1m) drop at room temperature per MIL-STD-810G

Freezer:

- 8 ft. (2.4m) drop to concrete across temperature per MIL-STD-810G
- 7 ft. (2.1m) drop to concrete across temperature per MIL-STD-810G.

Certification & Regulatory

Bluetooth SIG:

- Declaration ID: D030529
- QD ID: 82009

Electrical Safety:

- EN 62368-1:2020 + A11:2020
- IEC 62368-1:2018
- UL 62368-1:2019 R10.21
- CSA C22.2 NO. 62368-1:19

Environmental:

- RoHS EN 50581

EMI / RFI:

- FCC Part 15 Class C, RSS 210, iCES 003, C-Tick, CISPR 22, CE EN55022, EN55024
- TELEC:
- FCC ID: LUBMA41
- IC ID: 2529A-MA41M9

LED Safety:

- IEC 60825-1
- EN 60825-1



Product SKUs

- **CX4184-3251** - XG940 (Cable Only), Not included (data reader only)
- **CX4573-3827** - XG940 (Charging Dock), Not included (data reader only)
- **CX4574-3828** - XG940 (Charging Dock w/ Mount), Not included (data reader only)
- **CX4575-3829** - XG940 (Holster), Not included (data reader only)

