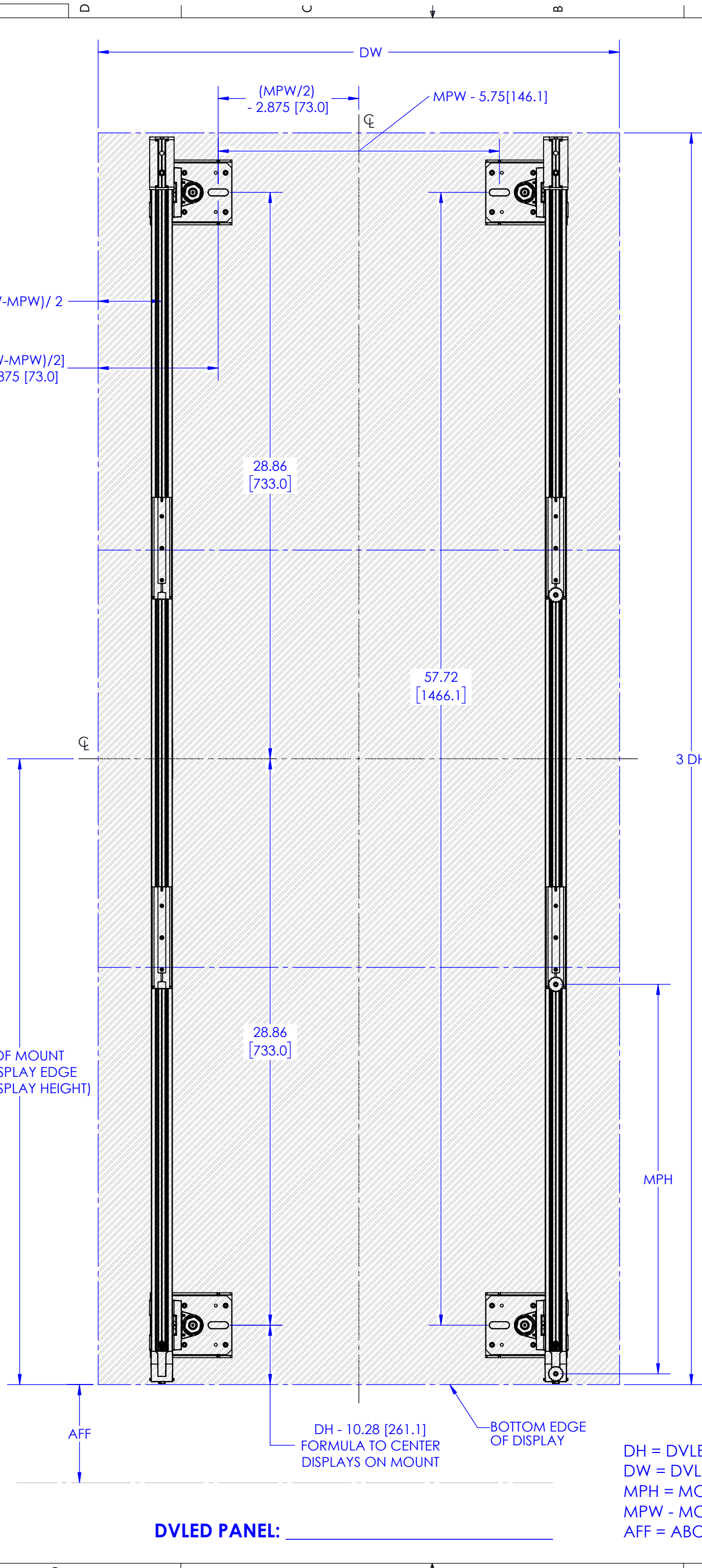


THE INFORMATION AND DESIGNS CONTAINED IN THIS DRAWING ARE CONFIDENTIAL AND THE PROPRIETARY PROPERTY OF LEGRAND | AV. NEITHER THIS DESIGN NOR ANY INFORMATION CONTAINED IN THIS DRAWING MAY BE REPRODUCED OR DISCLOSED TO OTHERS WITHOUT THE EXPRESS WRITTEN CONSENT OF LEGRAND | AV.

CAD GENERATED DRAWING, DO NOT MANUALLY UPDATE.				6436 CITY WEST PKWY EDEN PRAIRIE MN, 55344 PHONE: 866-977-3901 FAX: 877-894-6918	
DRAWN BY	MM	2/3/2025	DESCRIPTION		
ENG APPROVAL			TILED UNIVERSAL 540MM 3-HIGH STARTER, TECH		
MFG APPROVAL			MODEL NO.		
QA APPROVAL			DVM0540U3		
SHEET 1 OF 2		SCALE	SIZE	DWG. NO.	REV.
		1:8	B	TECH-001340	00



**DVLED PANEL:** \_\_\_\_\_

DH = DVLED DISPLAY HEIGHT  
 DW = DVLED DISPLAY WIDTH  
 MPH = MOUNTING PATTERN HEIGHT  
 MPW - MOUNTING PATTERN WIDTH  
 AFF = ABOVE FINISHED FLOOR

DH \_\_\_\_\_ IN  
 DW \_\_\_\_\_ IN  
 MPH \_\_\_\_\_ IN  
 MPW \_\_\_\_\_ IN  
 AFF \_\_\_\_\_ IN

DH \_\_\_\_\_ mm  
 DW \_\_\_\_\_ mm  
 MPH \_\_\_\_\_ mm  
 MPW \_\_\_\_\_ mm  
 AFF \_\_\_\_\_ mm

THE INFORMATION AND DESIGNS CONTAINED IN THIS DRAWING ARE CONFIDENTIAL AND THE PROPRIETARY PROPERTY OF LEGRAND | AV. NEITHER THIS DESIGN NOR ANY INFORMATION CONTAINED IN THIS DRAWING MAY BE REPRODUCED OR DISCLOSED TO OTHERS WITHOUT THE EXPRESS WRITTEN CONSENT OF LEGRAND | AV.

CAD GENERATED DRAWING: DO NOT MANUALLY UPDATE.		DATE: 2/3/2025	
DRAWN BY	MM	ENG APPROVAL	
MFG APPROVAL		QA APPROVAL	
DESCRIPTION TILED UNIVERSAL 540MM 3-HIGH STARTER, TECH		MODEL NO. DVM0540U3	
SIZE		SCALE	REV.
SHEET 2 OF 2		1:5	X
TECH-001340		00	

**CHIEF**  
 6436 CITY WEST PKWY  
 BOSTON, MA 02130  
 TEL: 866-371-3901  
 FAX: 877-894-6918