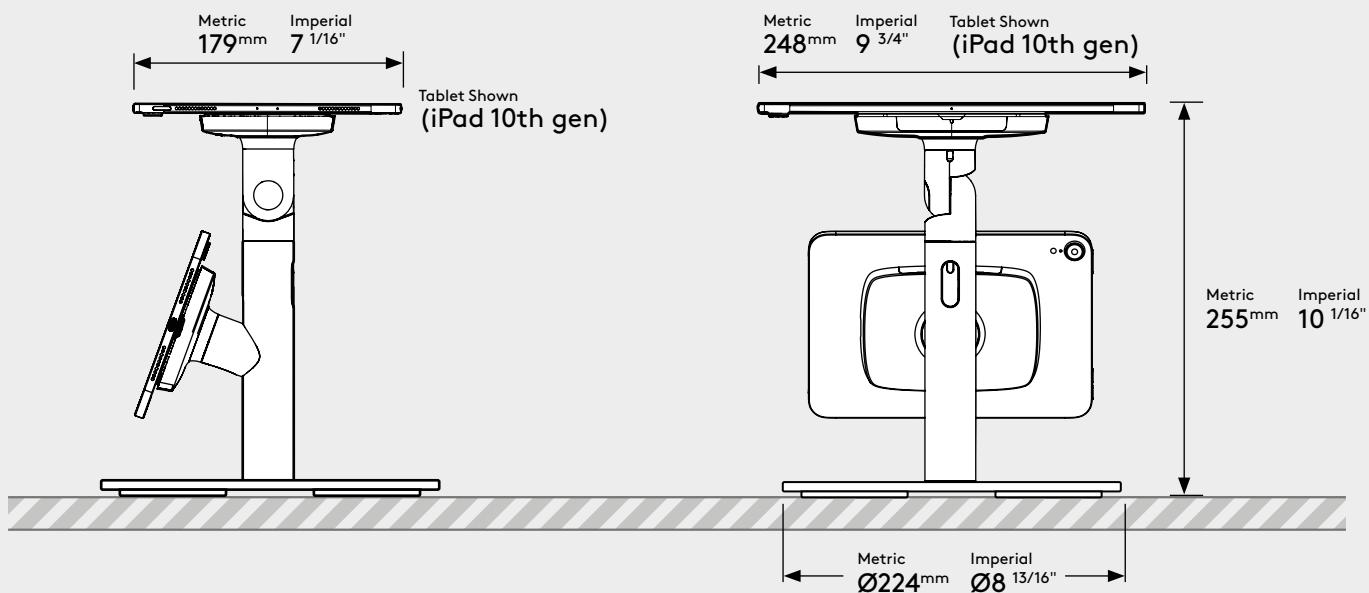


# PRODUCT DATA SHEET - CORE TWIN + COUNTER BASE

**bouncepad**<sup>®</sup>

<b>Tablet attachment:</b>	<b>Arm:</b>	<b>Mounting:</b>	<b>Packaged weight:</b>	<b>Colour:</b>
Core	Twin	Counter Base	1.25kg	White Black

## Dimensions



## Parts in the Box

