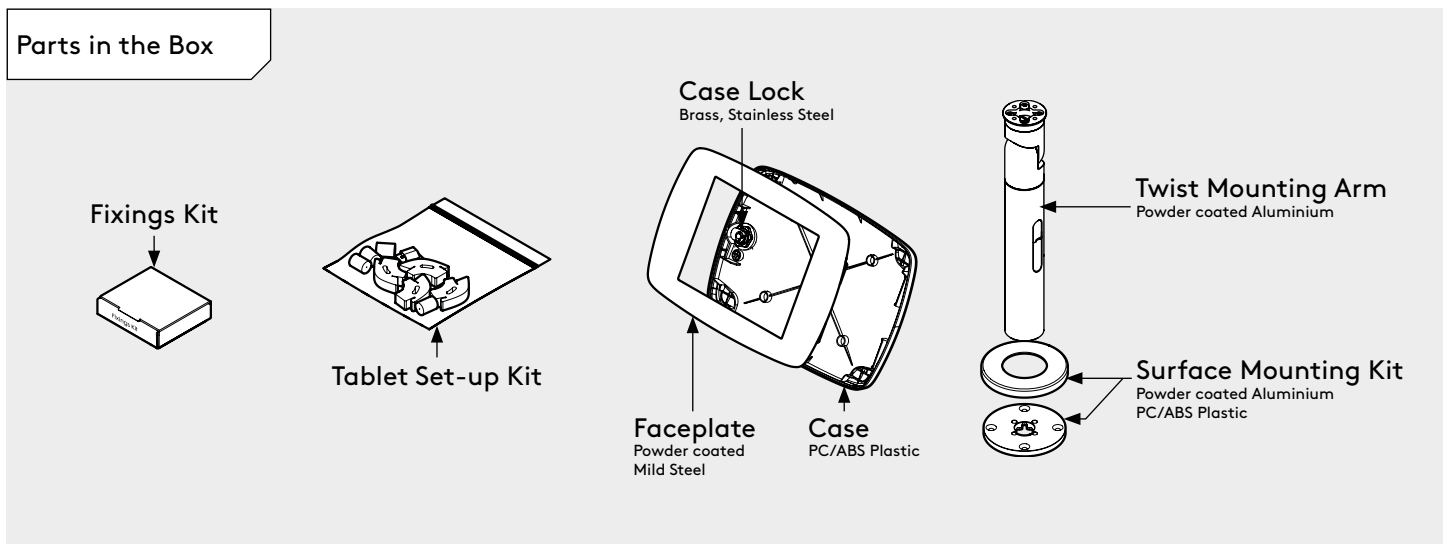
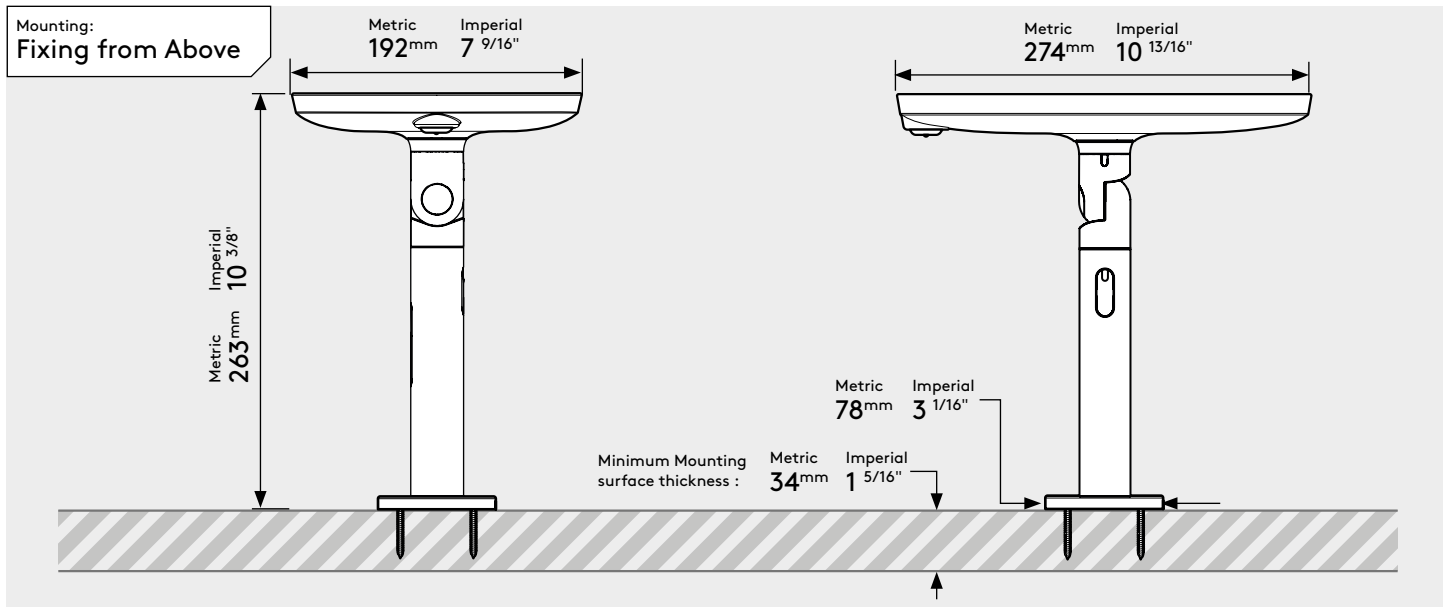
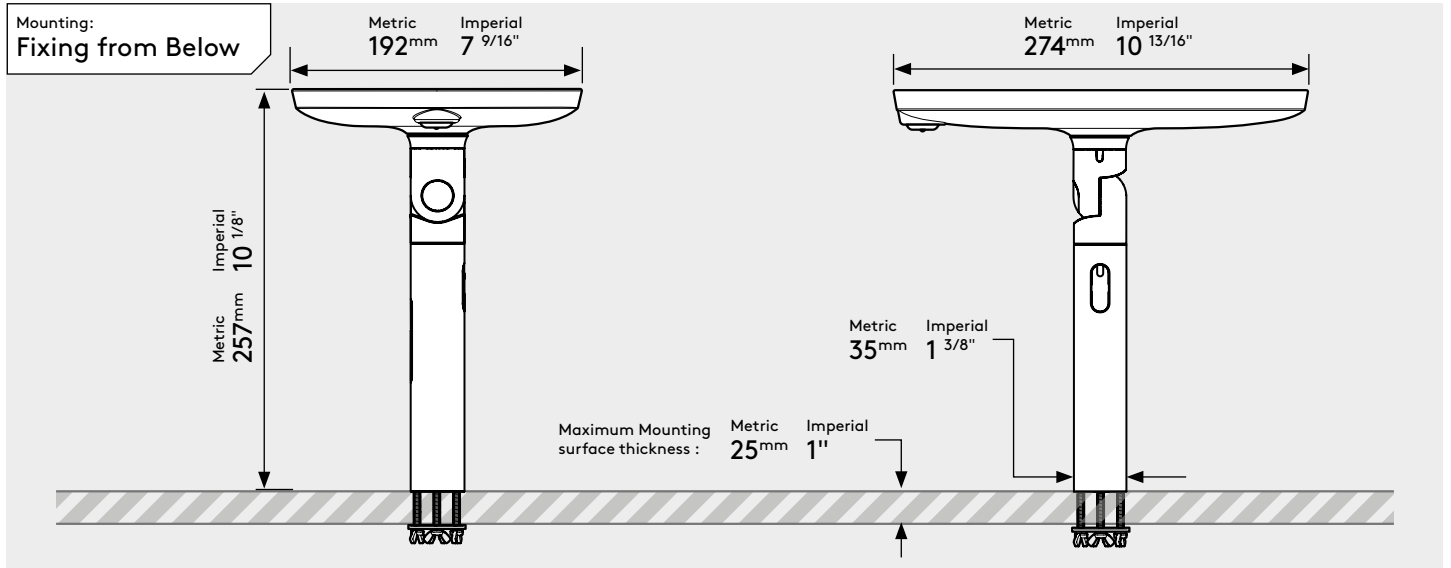


# PRODUCT DATA SHEET - ORIGINAL TWIST (MINI CASE)

**bouncepad®**

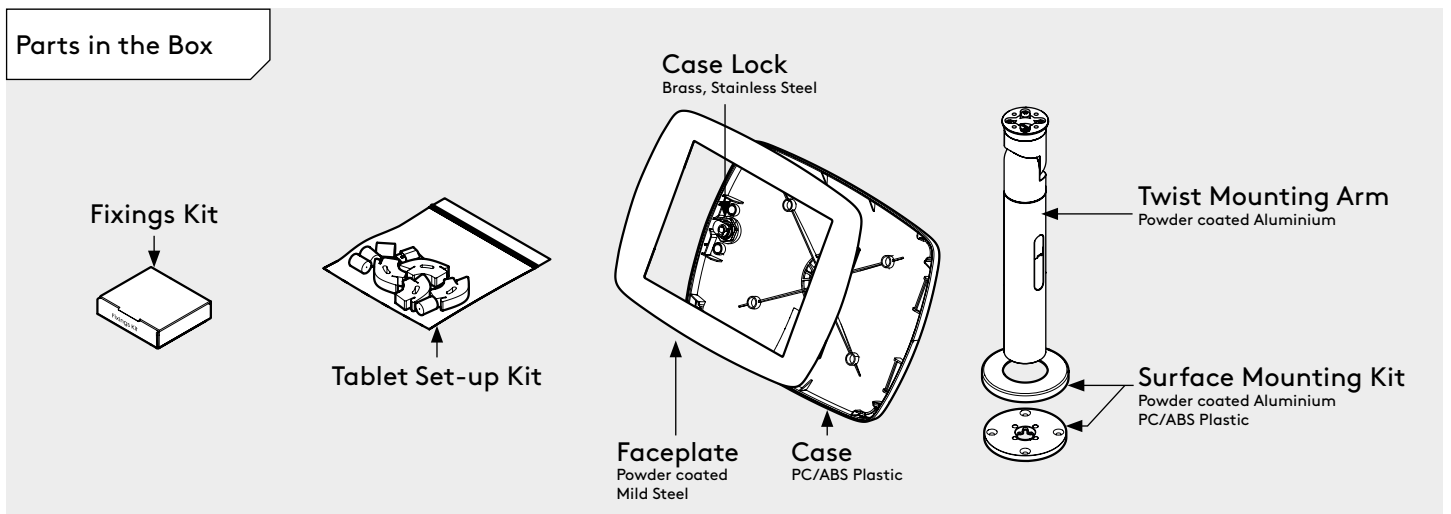
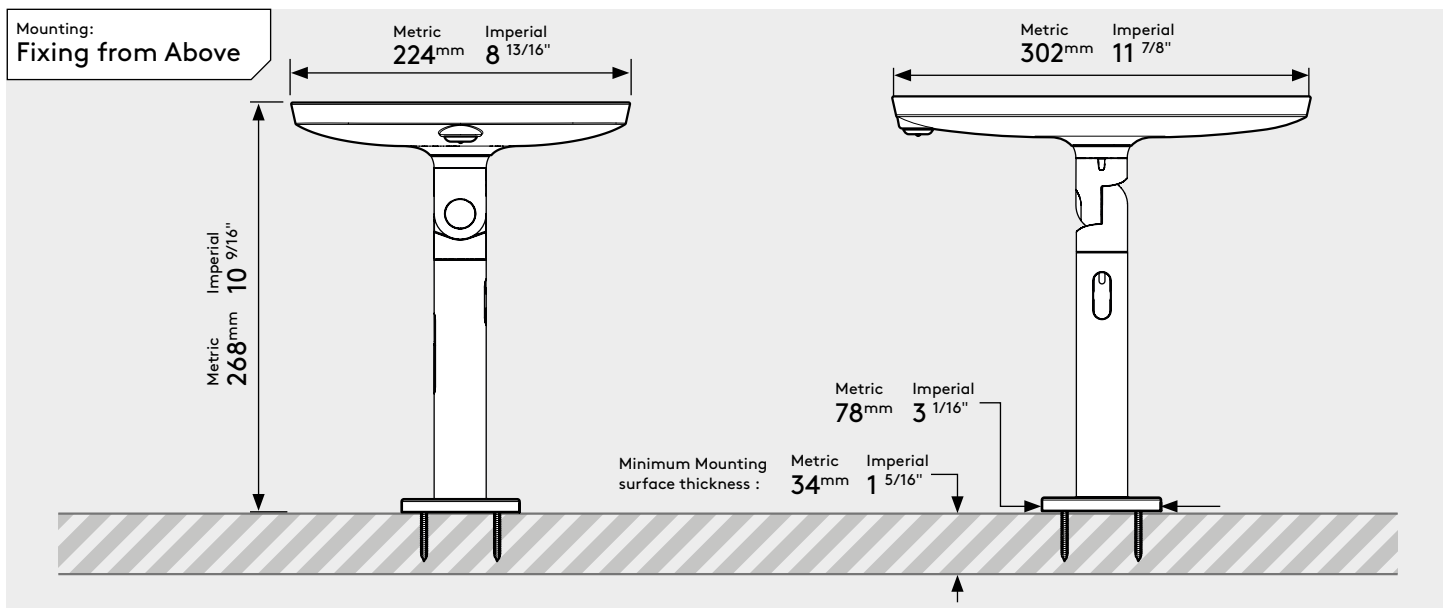
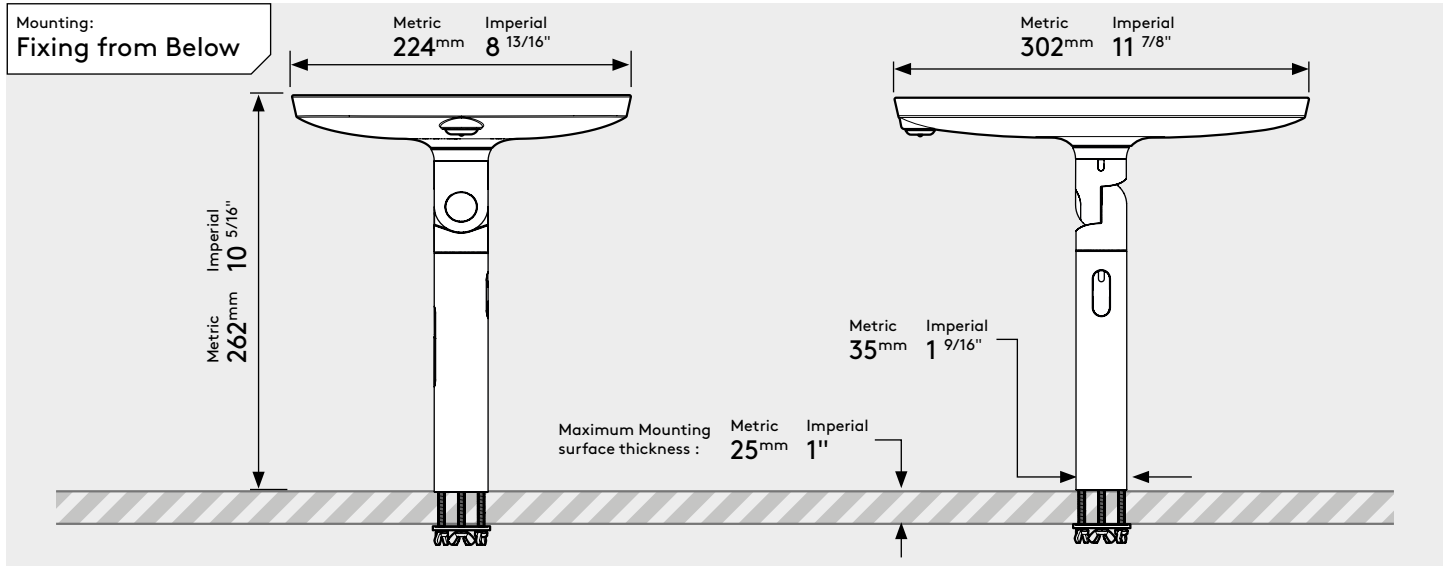
**Case:** Mini  
**Arm:** Twist  
**Mounting:** Fixing from Below  
**Packaged weight:** 1.80kg  
**Colour:** White  
 Black



# PRODUCT DATA SHEET - ORIGINAL TWIST (MIDI CASE)

**bouncepad®**

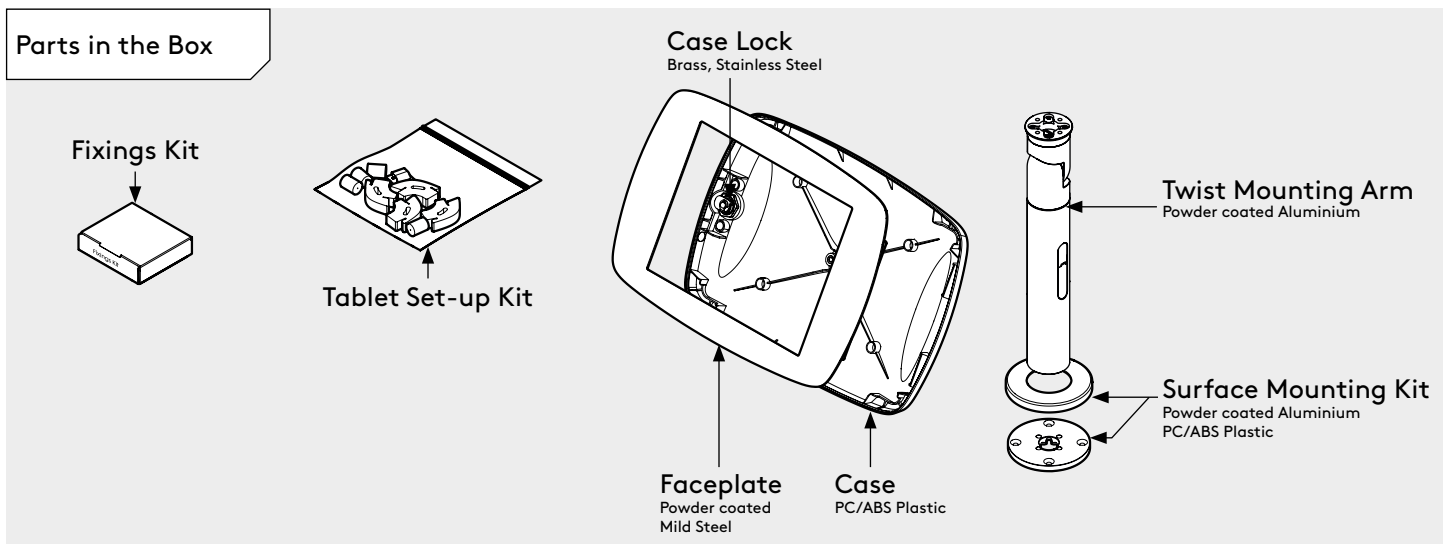
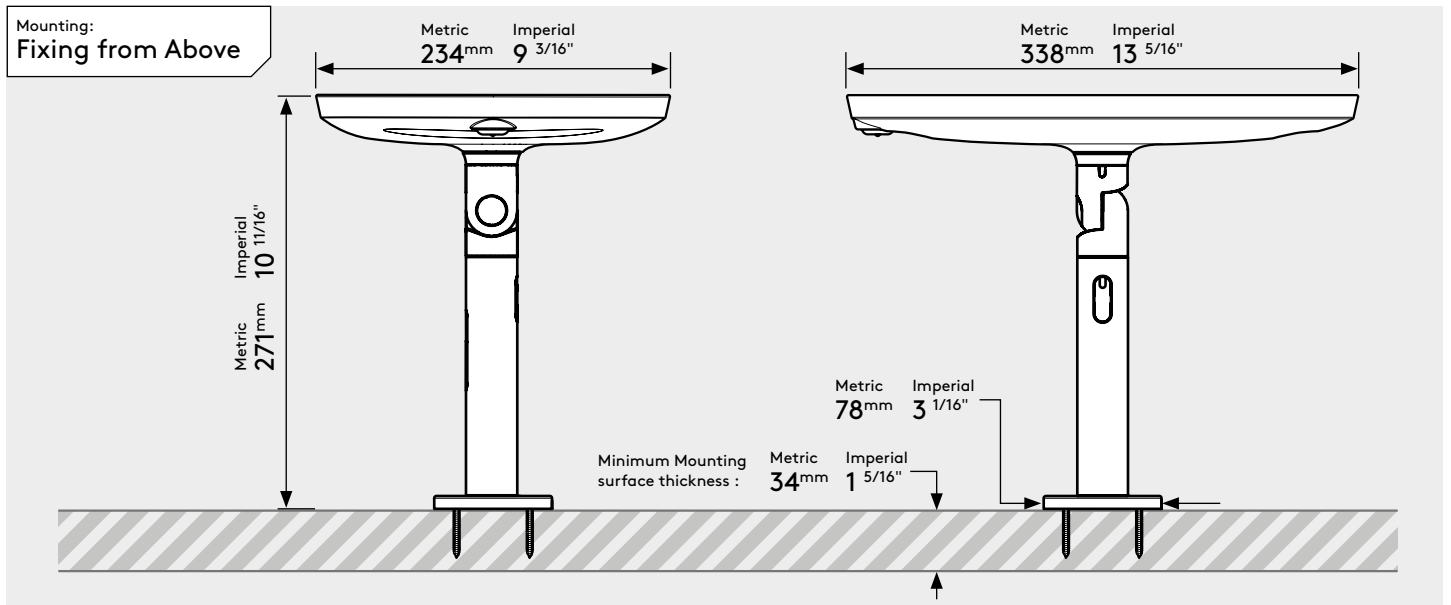
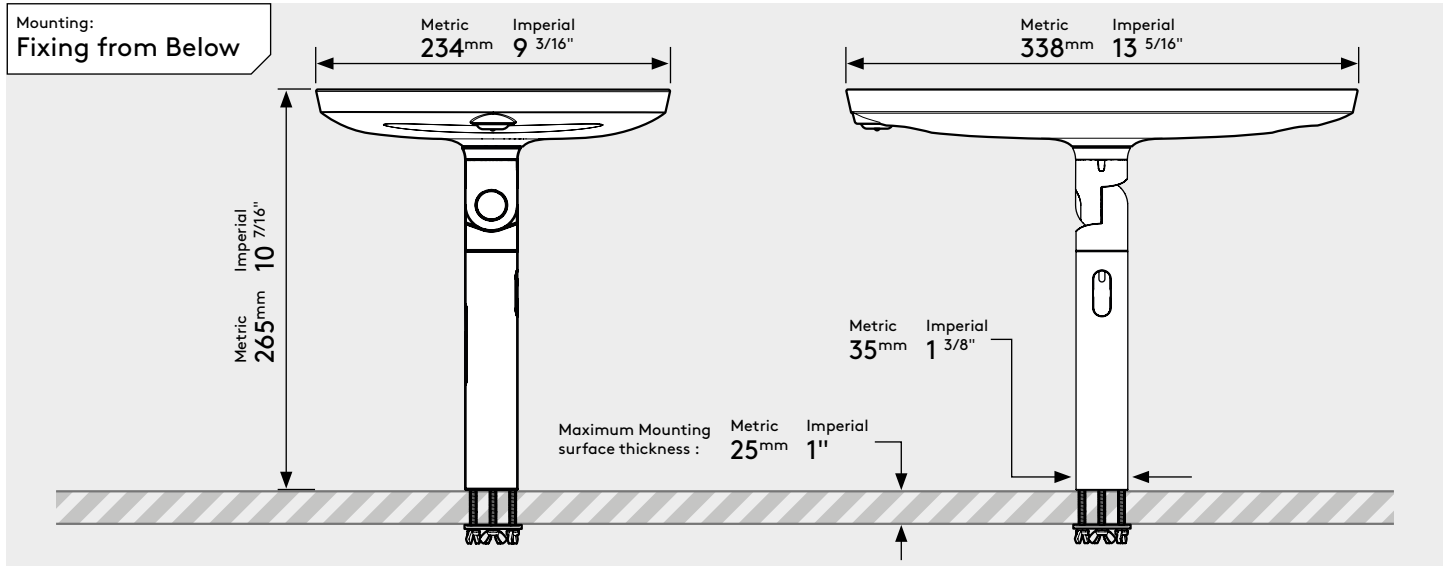
<b>Case:</b>	<b>Arm:</b>	<b>Mounting:</b>	<b>Packaged weight:</b>	<b>Colour:</b>
Midi	Twist	Fixing from <b>Below</b>  Fixing from <b>Above</b>	2.13kg	White Black



# PRODUCT DATA SHEET - ORIGINAL TWIST (MAXI CASE)

**bouncepad®**

**Case:** Maxi  
**Arm:** Twist  
**Mounting:** Fixing from Below  
**Fixing from Above**  
**Packaged weight:** 2.27kg  
**Colour:** White  
 Black



# PRODUCT DATA SHEET - ORIGINAL TWIST (MEGA CASE)

**bouncepad®**

<b>Case:</b>	<b>Arm:</b>	<b>Mounting:</b>	<b>Packaged weight:</b>	<b>Colour:</b>
Mega	Twist	Fixing from <b>Below</b> Fixing from <b>Above</b>	2.36kg	White Black

