

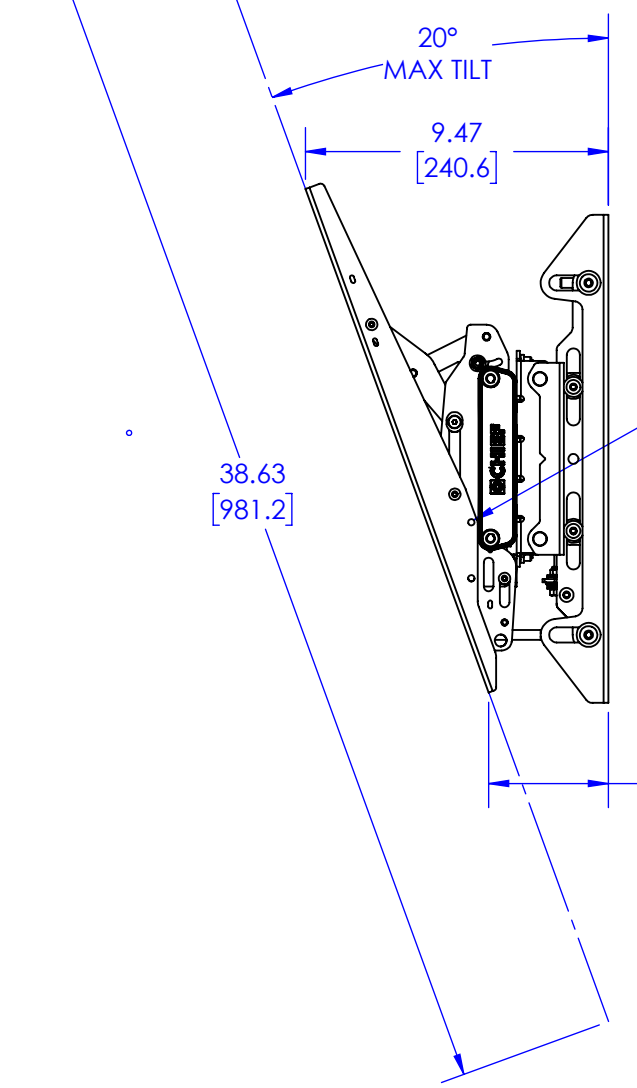
4 WIDE LANDSCAPE					
EXTRUSION LENGTH (IN.)	MINIMUM SCREEN WIDTH TO HIDE BAR (IN.)	MOUNTING PATTERN WIDTH (mm)	DISTANCE BETWEEN SCREENS (IN.)	MAX SCREEN WIDTH (IN.)	TOTAL SCREEN WIDTH (IN.)
156	39.25	600	0.0625	43.40	173.77
		400		46.02	184.09
		300		47.33	189.34
		200		48.65	194.58

THE INFORMATION AND DESIGNS CONTAINED IN THIS DRAWING ARE CONFIDENTIAL AND THE PROPRIETARY PROPERTY OF LEGRAND | AV. NEITHER THIS DESIGN NOR ANY INFORMATION CONTAINED IN THIS DRAWING MAY BE REPRODUCED OR DISCLOSED TO OTHERS WITHOUT THE EXPRESS WRITTEN CONSENT OF LEGRAND | AV.

CAD GENERATED DRAWING, DO NOT MANUALLY UPDATE.					6436 CITY WEST PKWY EDEN PRAIRIE, MN, 55344 PHONE: 866-977-3901 FAX: 877-894-6918	
DRAWN BY	CT	7/16/2024	DESCRIPTION			
ENG APPROVAL			MENU-BOARD, WALL MTD, 4 WIDE, LANDS. MOD			
MFG APPROVAL			MODEL NO.			
QA APPROVAL			LWM4X1UM			
SHEET 1 OF 2		SCALE 1:15	SIZE B	DWG. NO. TECH-001313	REV. 00	

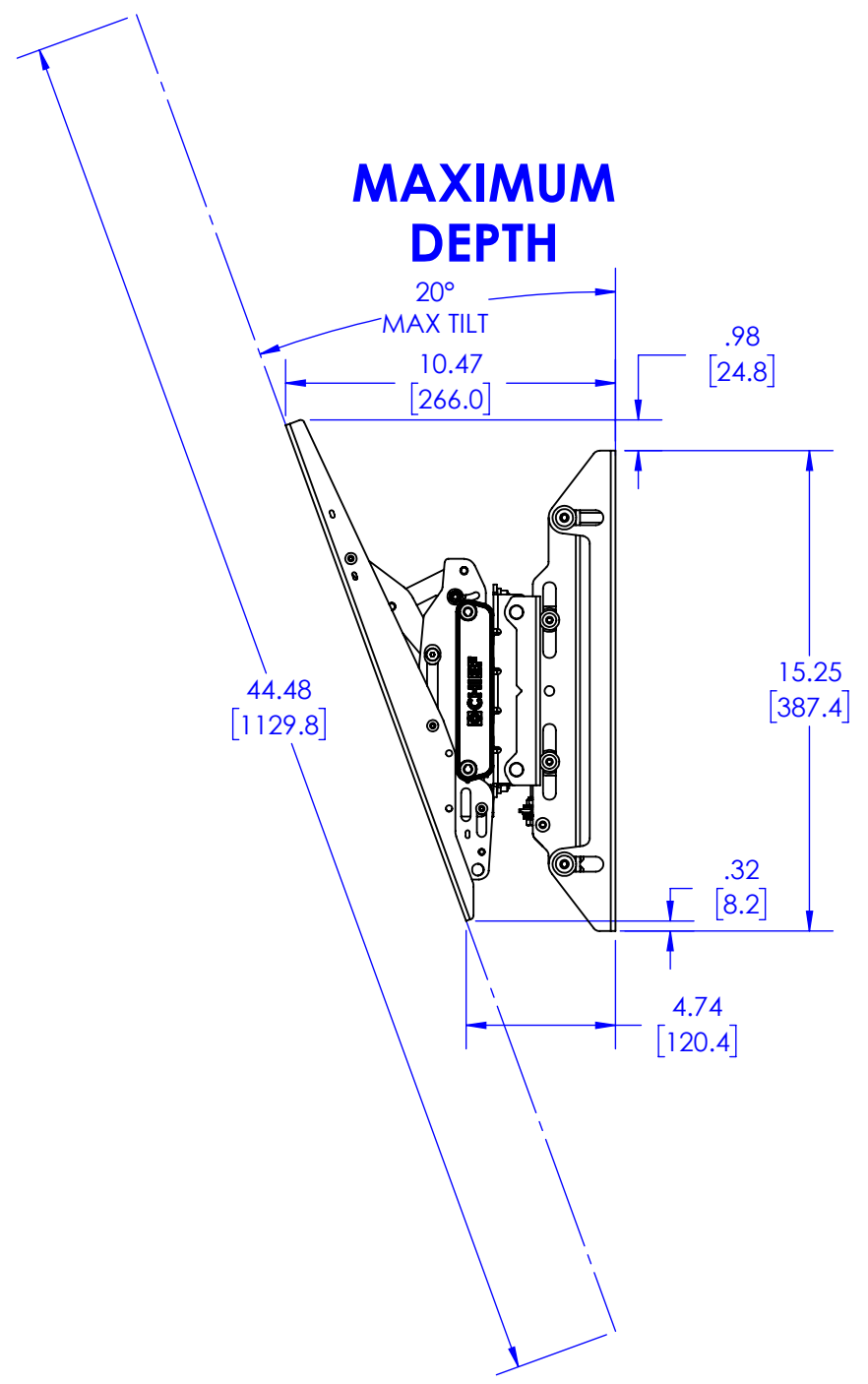
NOTE: MOUNT IS SHOWN WITH HEIGHT ADJUST CENTERED

MINIMUM DEPTH




POSITIVE TILT LOCKOUTS AT 0°, 10°, AND 20°

MAXIMUM DEPTH



NOTE: MOUNT IS SHOWN WITH HEIGHT ADJUST CENTERED

THE INFORMATION AND DESIGNS CONTAINED IN THIS DRAWING ARE CONFIDENTIAL AND THE PROPRIETARY PROPERTY OF LEGRAND | AV. NEITHER THIS DESIGN NOR ANY INFORMATION CONTAINED IN THIS DRAWING MAY BE REPRODUCED OR DISCLOSED TO OTHERS WITHOUT THE EXPRESS WRITTEN CONSENT OF LEGRAND | AV.

CAD GENERATED DRAWING, DO NOT MANUALLY UPDATE.			 6436 CITY WEST PKWY EDEN PRAIRIE MN, 55344 PHONE: 866-977-3901 FAX: 877-894-6918	
DRAWN BY	CT	7/16/2024	DESCRIPTION	
ENG APPROVAL			MENU-BOARD, WALL MTD, 4 WIDE, LANDS. MOD	
MFG APPROVAL			MODEL NO.	
QA APPROVAL			LWM4X1UM	
SHEET 2 OF 2		SCALE 1:6	SIZE B	DWG. NO. TECH-001313
				REV. 00