



1D BARCODES, 2D BARCODES

## XtremeScan Mag 662

Rugged Professional BYOD Mid-Range 1D/2D  
Bluetooth LE Barcode Scanners

Mid-Range Scanning | Rugged IP67 Rated

Scans on Screen

The XtremeScan Mag 662 delivers industrial-grade scanning performance in a compact Bring-Your-Own-Device (BYOD) design.

Featuring a secure magnetic mounting system, the 662 enables workers to attach and detach their mobile device with ease while maintaining reliable mid-range 1D/2D barcode capture up to 14 feet away.



This product uses a Bluetooth LE (Low Energy) connection method that is different from our Bluetooth Classic data readers and **requires a supported software application.**

Before purchasing, please confirm your app uses the latest version of Socket Mobile's [CaptureSDK](#) or [contact us](#) to discuss your requirements.

Built for field mobility and industrial reliability, the XtremeScan 662 combines a rugged mid-range barcode scanner with Socket Mobile's magnetic attachment system to create a powerful and flexible scanning solution. Ideal for warehousing, logistics, and field service teams, the 662 allows professionals to capture barcodes on shelves, pallets, or equipment with precision and speed while reducing downtime and increasing productivity.

With IP67-rated protection against dust, water, and rough handling, the 662 withstands the challenges of daily industrial use. The magnetic mounting system allows workers to easily switch between scanning and other mobile tasks while

keeping their device secure. Bluetooth® LE connectivity ensures quick pairing, extended battery life, and consistent performance with iOS, Android, and Windows devices.

## **Available Configurations**

- **XtremeScan XS662 (Standard Handheld):**

Rugged handheld scanner with magnetic mounting system for secure, flexible device pairing. Perfect for mobile professionals using their own devices.

- **XtremeScan Grip XG662 (with Pistol Grip Handle):**



Same as XS662 but with an ergonomic pistol grip handle for comfortable point-and-scan operation during long shifts or heavy scanning tasks.

## **Available in the following bundles**

- **XTREMESCAN-662 + [Charging Dock w/ Vehicle Mount](#)** – Dock your reader into your vehicle with a pre-attached RAM® 1" Diamond Ball Mount. Compatible with thousands of RAM arms and bases.
- **XTREMESCAN-662 + [Charging Dock](#)** – For secure storage and convenient device charging between uses.
- **XTREMESCAN-662 + [Holster](#)** – Easily connects to a belt or mounts to equipment for quick and easy access.

## **Magnetic Adapter Compatibility**

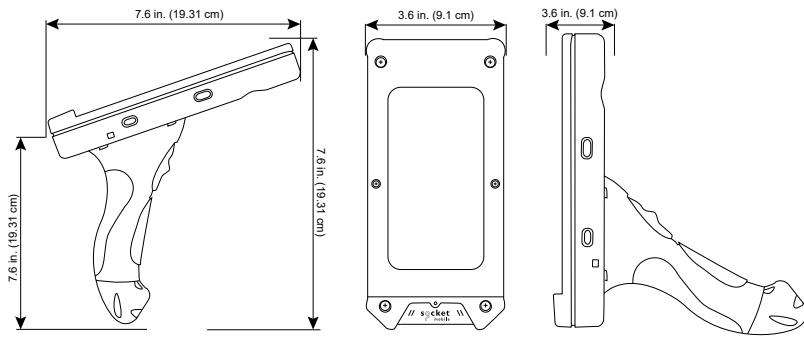
To ensure proper magnetic attachment, please ensure your device is equipped with a compatible magnetic mounting system.

- **Rokform Case Users:** If you're using a Rugged Rokform Case for iPhone 15, 16, 16e, or 17 no additional adapter is needed.
- **Other Phones:** For other devices, we recommend one of the following magnetic adapters from Rokform:
  - [Rokform MagSafe® Magnetic Universal Adapter](#) 
  - [Rokform Magnetic RokLock Plug](#) 
- **Tablets:** For tablet setups, we suggest the Oqtiq Magnetic Universal Strip as a reliable third-party option.

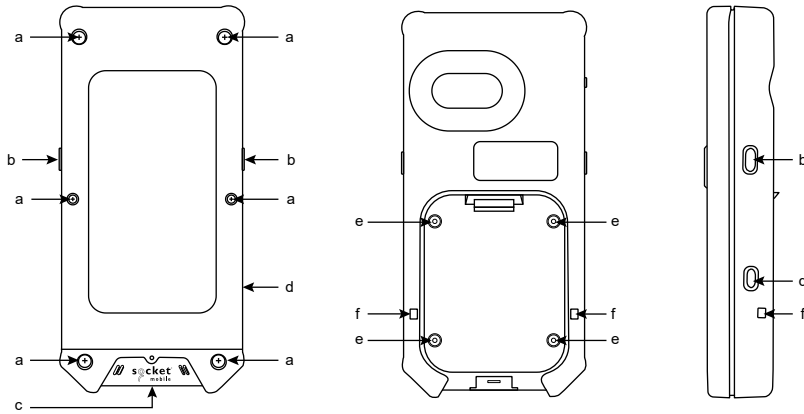
## Features

- **Rapid Scanning** — Fast 1D/2D scanning for both printed and on-screen barcodes, featuring omnidirectional capability for intuitive, rapid scanning.
- **Advanced Decoding** — Accurately captures data from scratched, damaged, smudged, or low-contrast barcodes, helping to reduce failed scans, minimize delays, and increase productivity when working in challenging environments.
- **Rugged Design** — Built to withstand drops and harsh environments, with an IP67 sealed housing for protection from dust, water exposure, and water immersion.
- **Extended Range** — Scans barcodes ranging in size from 5 mil to 160 mil, at distances from 2.1 inches to 14 feet.
- **Precision Aimer** — High-visibility aimer ensures fast, accurate barcode targeting across various distances.
- **One-Handed Solution** — Easily combine the mobile device and data reader for a one-handed scanning solution.
- **Bluetooth LE Support** — Enables dependable, low-power wireless connectivity for extended battery life and fast pairing through Bluetooth Low Energy.
- **Long-Lasting Battery** — Scanner features rechargeable and field-replaceable battery that lasts a full shift.
- **Intuitive User Indicators** — **LED lights** that indicate successful data read/write and battery charging status.
- **Audible Feedback** — Multiple **feedback tones** to indicate successful data read/write and other important action confirmations.
- **Easy App Integration** — Socket Mobile's CaptureSDK (version 2.0.29 or higher) enables easy integration in your applications to improve business productivity with fast, efficient, and reliable data transfer over Bluetooth wireless technology. Data reader works out of the box for apps that have already integrated CaptureSDK, with support for Bluetooth LE devices.
- **1-Year Warranty Included** — **Extended warranty** options also available.
- **Designed and Assembled in the USA** — Socket mobile data readers are built at our headquarters in Fremont, CA.

## Dimensions



## External Control



a. Screw placement

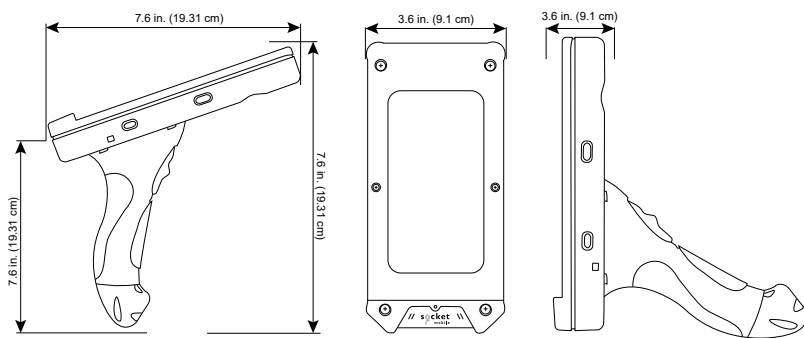
b. Scan button

c. Charging dock port

d. USB-C charging port

e. Screw placement

f. Wrist strap eyelet



a. Metal plate

b. Charging dock port

c. Scan button

d. USB-C charging port

e. Wrist strap eyelet

f. Scan window

g. Scan button

h. Scanner button

i. Screw placement

## Reading Performance

## Default Barcode Symbologies

- **1D Symbologies:** Bookland Ean, Codabar, Code 128, Code 39, Code 93, Ean Jan 13, Ean Jan 8, Gs1 128, Gs1 Databar Expanded, Gs1 Databar Limited, Gs1 Databar Omnidirectional, Interleaved 2 5, Isbt 128 Udi, Trioptic, Upc A, Upc E
- **2D Symbologies:** Aztec, Composite, Data Matrix, Dotcode, Gs1 Data Matrix, Gs1 Qr, Han Xin, Maxicode, Micropdf417, Micro Qr, Pdf417, Qr
- **OCR Typeface:** Ocr A, Ocr B

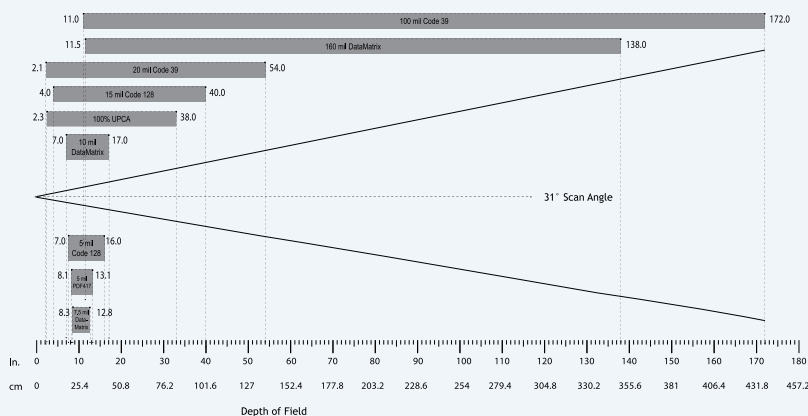
Learn how to [enable and disable](#) data types.

## Supported Barcode Symbologies

- **1D Symbologies:** Code 11, Matrix 2 5, Msi
- **Postal Codes:** Australia Post, Japan Postal, Mailmark, Netherlands Kix, Uk Postal, Us Planet, Us Postnet, Usps 4Cb One Intelligent Mail
- **OCR Typeface:** Micr E13b

Learn how to [enable and disable](#) data types.

## Reading Distance



5.8 to 436.9 cm (2.3 to 172 in.) Depends on barcode size, symbology, label media.

<b>Decode Range</b>	5 mil Code 128	7.4 in./18.8 cm (Near)	16.0 in./40.6 cm (Far)
	5 mil PDF417	8.1 in./ 20.6 cm (Near)	13.1 in./ 33.3 cm (Far)
	7.5 mil DataMatrix	8.3 in./ 21.1 cm (Near)	12.8 in./ 32.5 cm (Far)
	10 mil DataMatrix	7.0 in./ 17.8 cm (Near)	17.0 in./ 43.2 cm (Far)
	100% UPCA	2.3* in./ 5.8* cm (Near)	38.0 in./ 96.5 cm (Far)
	15 mil Code 128	4.0* in./ 10.2* cm (Near)	40.0 in./ 101.7 cm (Far)
	20 mil Code 39	2.1* in./ 5.3* cm (Near)	54.0 in./ 137.2 cm (Far)
	100 mil Code 39	11.0 in./ 27.9 cm (Near)	172.0 in./ 436.9 cm (Far)
	160 mil DataMatrix	11.5 in./ 29.2 cm (Near)	138.0 in./ 350.5 cm (Far)

\* All decode ranges based on Grade A, photographic quality barcodes printed on paper.

**Print Contrast** Down to 25%-20%

**Reading Distance:** 3.0 to 49.5 cm (1.2 to 19.5 in.) Depends on barcode size, symbology, label media

	Near	Far
5 mil Code 39	2.4 in/6.1 cm	9.5 in/24.1 cm
5 mil Code 128	2.8 in/7.1 cm	9.0 in/22.9 cm
<b>Decode Ranges</b>		
6.67 mil PDF417	2.4 in/6.1 cm	8.0 in/20.3 cm
10 mil DataMatrix	2.9 in/7.4 cm*	8.5 in/21.6 cm
100% UPCA	1.8 in/4.6 cm*	19.5 in/49.5 cm
15 mil QR	1.2 in/3.0 cm*	11.5 in/29.2 cm
20 mil QR	1.2 in/3.0 cm	14.0 in/35.6 cm

**Sensor Resolution** 1280 horizontal x 960 vertical pixels

**Scan Angle** 44.5° (Horizontal) - 33.5° (Vertical)

## Battery Information

<b>Battery Type</b>	1 rechargeable Lithium Ion Polymer
<b>Life per full charge</b>	Charge Time : Approx 7.0h
<b>Battery weight</b>	22 g
<b>Percentage lithium</b>	2.64%
<b>mAh</b>	1200
<b>Cells per battery</b>	1
<b>Watts per battery</b>	4.44
<b>Cell type</b>	Battery Pack
<b>Chemical composition</b>	Lithium - polymer
<b>Lithium content</b>	.58 g
<b>Voltage</b>	3.7v
<b>Hazmat UN Number</b>	UN3481, P.I. 967
<b>ROHS Compliance</b>	Yes, on the battery & scanner
<b>Country of origin</b>	China
<b>Commodity code</b>	8507.60.0000

## Bluetooth Information

<b>Bluetooth Profiles</b>	<ul style="list-style-type: none"><li>• <b>Application Mode</b> - requires a compatible app with Socket Mobile CaptureSDK</li></ul>
<b>Bluetooth Radio</b>	Bluetooth LE
<b>Bluetooth Range</b>	Up to 10 meters (33 ft.), depending on the environment. The range limit is usually due to the Host Device (phone, tablet, or notebook).

## Operating Systems



## Packaging

### Data Reader with Charging Cable

- Data Reader
- Charging Cable with USB-C to USB-A adapter
- Get Started Guide

### Data Reader with Charging Dock

- Data Reader
- Charging Dock
- USB-C Cable
- Get Started Guide

### Data Reader with Charging Dock and Mount

- Data Reader
- Charging Dock
- Mount
- USB-C Cable
- Get Started Guide

### Data Reader with Holster

- Data Reader
- Charging Cable with USB-C to USB-A adapter
- Holster
- Get Started Guide

### Data Reader with Rokform Case

- Data Reader
- Charging Cable with USB-C to USB-A adapter
- Rokform Case
- Get Started Guide

## Common Uses

- [Transportation & Logistics Solutions](#)
- [Warehouse Management](#)
- [Logistics Management](#)
- [Baggage Handling](#)
- [Industrial & Manufacturing Solutions](#)
- [Manufacturing](#)
- [Construction](#)

## User Environments

<b>Ambient Light</b>	From 0 to 100 000 lux. From pitch black to direct sunlight.
<b>Charging Temperature</b>	Charging in an ambient temperature above 40° C / 100° F may result in charging issues.
<b>Drop Specifications</b>	<p><b>Standard:</b></p> <ul style="list-style-type: none"> <li>• 10 ft. (3.1m) drop at room temperature per MIL-STD-810G</li> </ul> <p><b>Freezer:</b></p> <ul style="list-style-type: none"> <li>• 8 ft. (2.4m) drop to concrete across temperature per MIL-STD-810G</li> <li>• 7 ft. (2.1m) drop to concrete across temperature per MIL-STD-810G.</li> </ul>
<b>Operating Temperature</b>	0° to 45° C (32° to 113° F)
<b>Relative Humidity</b>	95% at 60° C (140° F) (non-condensing)
<b>Sealing</b>	IP67 (Ingress protection rating for dust and water) meets IEC sealing and EN60529 specifications.
<b>Storage Temperature</b>	-40° to 70° C (-40° to 158° F)
<b>Tumble Specification</b>	2,500 cycles at 3.3 ft. (1 m) to a metal plate, IEC6008-2-31, IEC60068-2-32 3.

## Certification & Regulatory

### Bluetooth SIG:

- Declaration ID: D030529
- QD ID: 82009

### Electrical Safety:

- EN 62368-1:2020 + A11:2020
- IEC 62368-1:2018
- UL 62368-1:2019 R10.21
- CSA C22.2 NO. 62368-1:19

**Environmental:**

- RoHS EN 50581

**EMI / RFI:**

- FCC Part 15 Class C, RSS 210, iCES 003, C-Tick, CISPR 22, CE EN55022, EN55024
- TELEC:
- FCC ID: LUBMA41
- IC ID: 2529A-MA41M9

**LED Safety:**

- IEC 60825-1
- EN 60825-1



**Product SKUs**

- **CX4432-3581** - XG, Cable Only
- **CX4431-3580** - XS, Cable Only
- **CX4438-3627** - XG, Charging Dock
- **CX4479-3674** - XS, Charging Dock
- **CX4639-3914** - XG, Charging Dock w/ Mount
- **CX4640-3915** - XG, Holster
- **CX4526-3767** - XG, Rokform Case for iPhone 15
- **CX4541-3782** - XS, Rokform Case for iPhone 15

- **CX4527-3768** - XG, Rokform Case for iPhone 16
- **CX4542-3783** - XS, Rokform Case for iPhone 16
  
- **CX4837-4147** - XG, Rokform Case for iPhone 17
- **CX4838-4148** - XS, Rokform Case for iPhone 17
  
- **CX4528-3769** - XG, Rokform Case for iPhone 17e/16e
- **CX4543-3784** - XS, Rokform Case for iPhone 17e/16e

