

1D BARCODES**XtremeScan Mag XS630****Rugged General-Purpose BYOD 1D Laser Barcode Scanner****All-in-One-Hand usage | Rugged IP67 Rated**
Scans Through Plastic or Glass

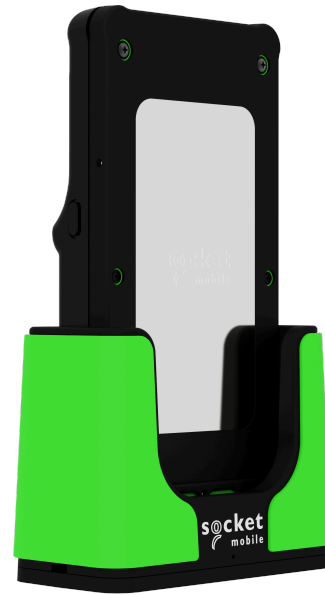
The XS630 stands out with its specialized 1D laser scanning engine, delivering superior performance in environments where 1D barcodes are often damaged, worn, or difficult to read.

Based on the Socket Mobile XtremeScan Mag platform, the XS630 is designed for BYOD (Bring Your Own Device) operations and seamless integration with any mobile device. It offers an optimal solution to enhance efficiency and convenience in mobile workforces. Featuring a secure magnetic attachment system, workers can easily attach and detach their personal mobile devices throughout the day. This flexibility empowers users to switch between tasks such as navigation, photos, and communication while adding high-performance 1D barcode scanning when needed.

With its innovative BYOD design and rugged durability, the XS630 is ideal for modern delivery and inventory operations, ensuring tasks are completed efficiently without requiring multiple devices.

Featuring a streamlined case format, the XS630 offers a compact, easy-to-handle design for comfortable use over long shifts. Its fast, precise 1D laser scanning delivers effortless data capture, and the secure magnetic attachment system allows for quick access when scanning is required. With extended battery life, military-grade durability to withstand drops and harsh conditions, and intuitive LED indicators, the XS630 simplifies scanning tasks while maintaining performance in any work environment.

Equipped with Bluetooth connectivity and a strong metal plate attachment system, the XS630 ensures optimal compatibility with any mobile device and reliable integration with iOS and Android business applications.



Magnetic Adapter Compatibility

To ensure proper magnetic attachment, please ensure your device is equipped with a compatible magnetic mounting system.

- **Rokform Case Users:** If you're using a Rugged Rokform Case for iPhone 15, 16, 16e, or 17 no additional adapter is needed.
- **Other Phones:** For other devices, we recommend one of the following magnetic adapters from Rokform:
 - [Rokform MagSafe® Magnetic Universal Adapter](#) ↗
 - [Rokform Magnetic RokLock Plug](#) ↗
- **Tablets:** For tablet setups, we suggest the Oqtiq Magnetic Universal Strip as a reliable third-party option.

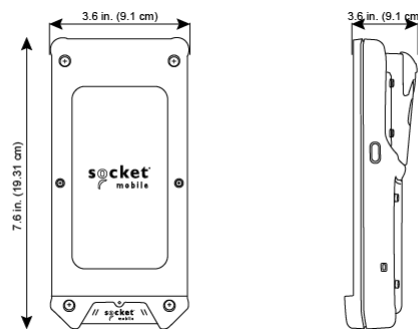
Features

- **Rapid Scanning** — Fast 1D laser scanning for printed barcodes featuring a high-performance Class 2 laser. Ideal for moderate to rigorous scanning applications, handles thousands of scans per day and operates at distances of up to 180" (457.2 cm), depending on barcode size and quality.
- **Bluetooth Classic Wireless Integration** — Dependable Bluetooth connection to host devices.
- **Long-Lasting Battery** — Scanner features rechargeable and field-replaceable battery that lasts a full shift.
- **Rugged Design** — Built to withstand drops and harsh environments, with an IP67 sealed housing for protection from dust, water exposure, and water immersion.
- **Charging** — Case charges both devices (Apple iPhone & Socket Mobile scanner).
- **LED Aimer** — Bright, rectangular illumination field with **LED pointer** for precise aiming.
- **One-Handed Solution** — Easily combine the mobile device and data reader for a one-handed scanning solution.
- **Intuitive User Indicators** — **LED lights** that indicate successful data read/write and battery charging status.
- **Easy Updates** — Firmware can be updated over Bluetooth using an iOS or Android app.
- **Easy App Integration** — Socket Mobile's CaptureSDK (version 2.0.29 or higher) enables easy integration in your applications to improve business productivity with fast, efficient, and

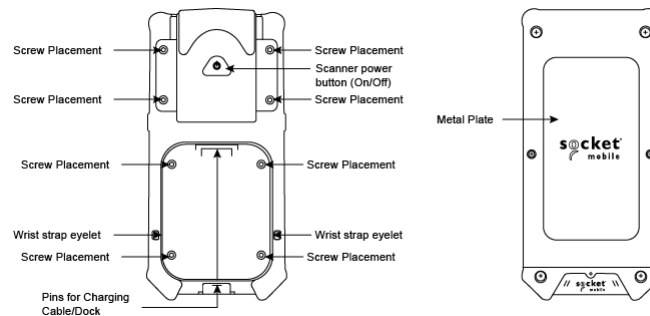
reliable data transfer over Bluetooth wireless technology. Data reader works out of the box for apps that have already integrated CaptureSDK, with support for Bluetooth LE devices.

- **Designed and Assembled in the USA** — Socket mobile data readers are built at our headquarters in Fremont, CA.
- **Audible Feedback** — Multiple **feedback tones** to indicate successful data read/write and other important action confirmations.
- **Developer Support** — Our support team is available to assist with set-up and operation.
- **1-Year Warranty Included** — **Extended warranty** options also available.

Dimensions



External Control



Reading Performance

Default Barcode Symbologies

- **1D Symbologies:** Bookland Ean, Codabar, Code 128, Code 39, Code 93, Ean Jan 13, Ean Jan 8, Gs1 128, Gs1 Databar Expanded, Gs1 Databar Limited, Gs1 Databar Omnidirectional, Interleaved 2 5, Isbt 128 Udi, Trioptic, Upc A, Upc E

Learn how to **enable and disable** data types.

Supported Barcode Symbologies

- **1D Symbologies:** Chinese 2 5, Code 11, Matrix 2 5, Msi
- Learn how to [enable and disable](#) data types.

Optical Resolution

0.005 in. Minimum element width

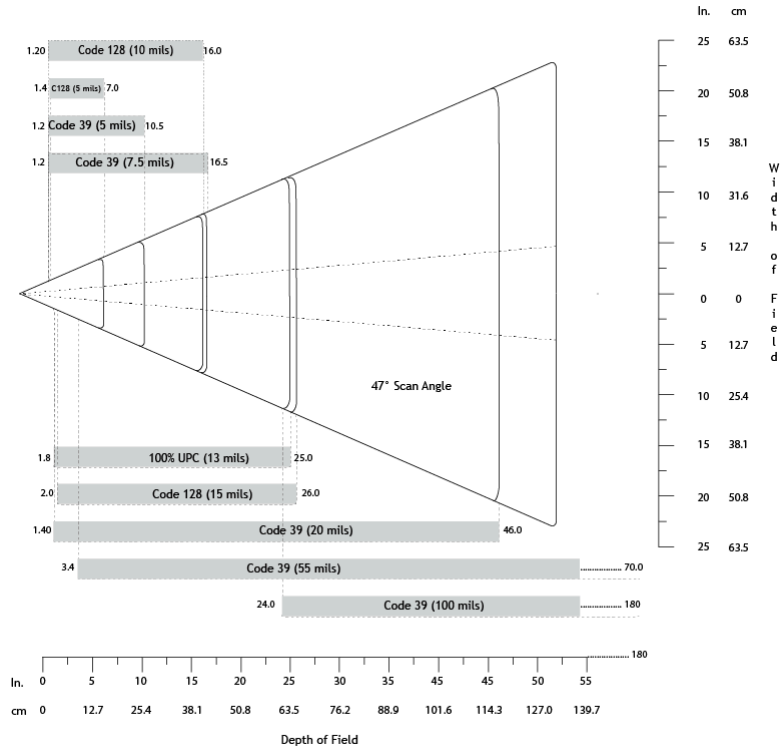
Print Contrast

Minimum 25% absolute dark/light Reflectance measured at 650 nm.

Scan Angle

Wide: 47° (Default) Medium: 35° Narrow: 10°

Reading Distance



1D codes 3.05 to 457.2 cm (1.2 in to 180 in). Depends on width and barcode size, symbology, label media.

	Near	Far
5 mil Code 39	1.2 in/3.0 cm	10.5 in/21.0 cm
5 mils Code 128	1.4 in/3.6 cm	7.0 in/26.7 cm
7.5 mils Code 39	1.2 in/3.0 cm	16.5 in/41.9 cm
Decode Ranges		
10 mils Code 128	1.2 in/3.0 cm	16.0 in/40.6 cm
13 mils 100% UPC	1.8 in/4.6 cm	25.0 in/63.5 cm
15 mils Code 128	2.0 in/5.1 cm	26.0 in/66.0 cm
20 mils Code 39	1.4 in/3.6 cm	46.0 in/116.8 cm
55 mils Code 39	3.4 in/8.6 cm	70.0 in/177.8 cm
100 mils Code 39	24 in/61 cm	180.0 in/457.2 cm

Battery Information

Battery Type 1 rechargeable Lithium Ion Polymer (replaceable battery)

Charge Time 8 Hours

Life of battery 500 charge-discharge cycles

Life per full charge **Standby time:** 25 hours
Active Scan Time: 10,000 scans within 11 hours (based on one scan every 4 seconds)
Note: Battery life varies depending on ambient temperature, ambient light, and the age of the battery.

Battery weight 12.5g

Percentage lithium 36.3%

mAh 700

Cells per battery 1

Watts per battery 2.59

Cell type Proprietary

Chemical composition	Lithium - polymer
-----------------------------	-------------------

Lithium content	4.5g
------------------------	------

Voltage	3.7v
----------------	------

Hazmat UN Number	UN3481, P.I. 967
-------------------------	------------------

ROHS Compliance	Yes, Included with Scanner
------------------------	----------------------------

Country of origin	China
--------------------------	-------

Commodity code	8507.60.0000
-----------------------	--------------

Bluetooth Information

Bluetooth Profiles

- **Basic Mode** - Human Interface Device (HID)
- **Application Mode** - Serial Port Profile (SPP)
- **iOS Application Mode** (Default)

Some Operating Systems or smartphone/tablet models may support only one profile.

Bluetooth Radio

Class 2 Bluetooth, version 2.1 + EDR (Enhanced Data Rates) with 56-bit data encryption

Bluetooth Range

Up to 10 meters (33 ft.), depending on the environment. The range limit is usually due to the Host Device (phone, tablet, or notebook).

Operating Systems



Packaging

Data Reader with Charging Cable

- Data Reader
- Charging Cable with USB-C to USB-A adapter
- Get Started Guide

Data Reader with Charging Dock

- Data Reader
- Charging Dock
- USB-C Cable
- Get Started Guide

Data Reader with Charging Dock and Mount

- Data Reader
- Charging Dock
- Mount
- USB-C Cable
- Get Started Guide

Data Reader with Holster

- Data Reader
- Charging Cable with USB-C to USB-A adapter
- Holster
- Get Started Guide

Common Uses

- [Transportation & Logistics Solutions](#)
- [Industrial & Manufacturing Solutions](#)
- [Inspections & Audits](#)
- [Track & Trace](#)

User Environments

Ambient Light	From 0 to 100 000 lux. From pitch black to direct sunlight.
Charging Temperature	Charging in an ambient temperature above 40° C / 100° F may result in charging issues.

Drop Specifications	Standard:
	<ul style="list-style-type: none"> • 10 ft. (3.1m) drop at room temperature per MIL-STD-810G
	Freezer:
	<ul style="list-style-type: none"> • 8 ft. (2.4m) drop to concrete across temperature per MIL-STD-810G • 7 ft. (2.1m) drop to concrete across temperature per MIL-STD-810G.

Operating Temperature 0° to 45° C (32° to 113° F)

Relative Humidity 95% at 60° C (140° F) (non-condensing)

Sealing IP67 (Ingress protection rating for dust and water) meets IEC sealing and EN60529 specifications.

Storage Temperature -40° to 70° C (-40° to 158° F)

Tumble Specification 2,500 cycles at 3.3 ft. (1 m) to a metal plate, IEC6008-2-31, IEC60068-2-32 3.

Certification & Regulatory

Bluetooth SIG:

- Declaration ID: D030529 QD ID: 82009

Electrical Safety:

- EN 62368-1:2020 + A11:2020
- IEC 62368-1:2018
- UL 62368-1:2019 R10.21
- CSA C22.2 NO. 62368-1:19

Environmental:

- RoHS EN 50581

EMI / RFI:

- FCC Part 15 Class C, RSS 210, iCES 003, C-Tick, CISPR 22, CE EN55022, EN55024
- TELEC:
- FCC ID: LUBMA41
- IC ID: 2529A-MA41M9

LED Safety:

- IEC 60825-1
- EN 60825-1



Product SKUs

- **CX4283-3395** - XS630 (Cable Only)
- **CX4585-3839** - XS630 (Charging Dock)
- **CX4586-3840** - XS630 (Charging Dock w/ Mount)
- **CX4587-3841** - XS630 (Holster)
- **CX4532-3773** - XS630 (Rokform Case for iPhone 15)
- **CX4533-3774** - XS630 (Rokform Case for iPhone 16)
- **CX4844-4154** - XS630 (Rokform Case for iPhone 17)
- **CX4534-3775** - XS630 (Rokform Case for iPhone 17e/16e)

