

1D BARCODES

## XtremeScan Mag XG630

Rugged General-Purpose BYOD 1D Laser  
Barcode Scanner w/ Pistol Grip

**BYOD** | Rugged IP67 Rated

Scans Through Plastic or Glass

The XG630 stands out with its specialized 1D laser scanning engine, delivering superior performance in environments where 1D barcodes are often damaged, worn, or difficult to read.

Based on the Socket Mobile XtremeScan Mag platform, the XG630 is designed for BYOD (Bring Your Own Device) operations and seamless integration with any mobile device. It offers an optimal solution to enhance efficiency and convenience in mobile workforces. Featuring a secure magnetic attachment system, workers can easily attach and detach their personal mobile devices throughout the day. This flexibility empowers users to switch between tasks such as navigation, photos, and communication while adding high-performance 1D barcode scanning when needed.

With its innovative BYOD design and rugged durability, the XG630 is ideal for modern delivery and inventory operations. It ensures tasks are completed efficiently without requiring multiple devices.

The XG630 features a comfortable pistol grip handle and fast, precise 1D laser scanning, offering a straightforward "point and shoot" approach for effortless data capture during work shifts. It also includes extended battery life for continuous operation, military-grade durability to withstand drops and harsh environments, and a user-friendly interface with intuitive LED indicators and a multi-function trigger button to simplify scanning tasks.

Equipped with Bluetooth connectivity and a strong metal plate attachment system, the XG630 ensures optimal compatibility with any mobile device and reliable integration with iOS and Android business applications.



## Magnetic Adapter Compatibility

To ensure proper magnetic attachment, please ensure your device is equipped with a compatible magnetic mounting system.

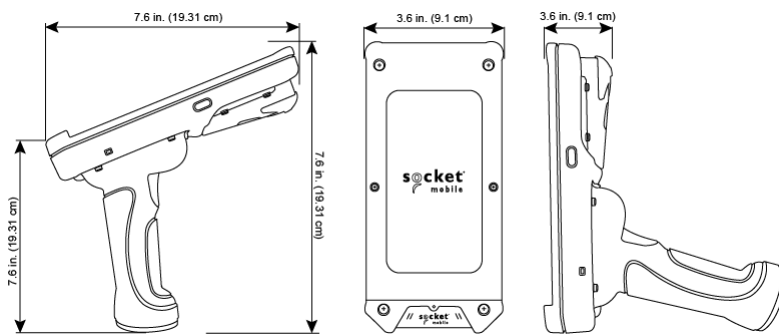
- **Rokform Case Users:** If you're using a Rugged Rokform Case for iPhone 15, 16, 16e, or 17 no additional adapter is needed.
- **Other Phones:** For other devices, we recommend one of the following magnetic adapters from Rokform:
  - [Rokform MagSafe® Magnetic Universal Adapter](#) ↗
  - [Rokform Magnetic RokLock Plug](#) ↗
- **Tablets:** For tablet setups, we suggest the Oqtiq Magnetic Universal Strip as a reliable third-party option.

### Features

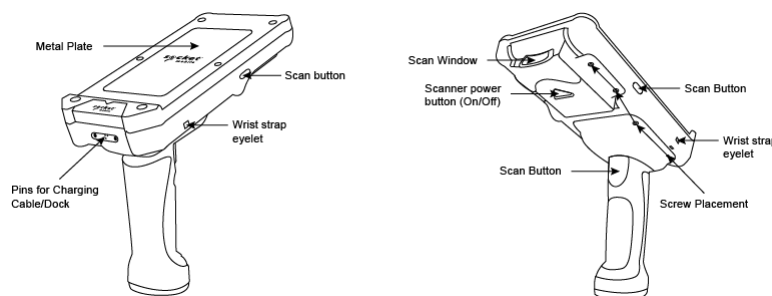
- **Multi-Device Compatibility** — Apple® Certified for iOS devices (iPhone®, iPad®) and compatible with Android® and Windows® 11.
- **Rugged Design** — Built to withstand drops and harsh environments, with an IP67 sealed housing for protection from dust, water exposure, and water immersion.
- **Rapid Scanning** — Fast 1D laser scanning for printed barcodes featuring a high-performance Class 2 laser. Ideal for moderate to rigorous scanning applications, handles thousands of scans per day and operates at distances of up to 180" (457.2 cm), depending on barcode size and quality.
- **Pistol Grip Handle** — Comfortable point-and-shoot barcode reading.
- **Charging** — Case charges both devices (Apple iPhone & Socket Mobile scanner).
- **Audible Feedback** — Multiple **feedback tones** to indicate successful data read/write and other important action confirmations.
- **Easy Updates** — Firmware can be updated over Bluetooth using an iOS or Android app.
- **Intuitive User Indicators** — **LED lights** that indicate successful data read/write and battery charging status.
- **LED Aimer** — Bright, rectangular illumination field with **LED pointer** for precise aiming.
- **Long-Lasting Battery** — Scanner features rechargeable and field-replaceable battery that lasts a full shift.

- **One-Handed Solution** — Easily combine the mobile device and data reader for a one-handed scanning solution.
- **Bluetooth Classic Wireless Integration** — Dependable Bluetooth connection to host devices.
- **Easy App Integration** — Socket Mobile's CaptureSDK (version 2.0.29 or higher) enables easy integration in your applications to improve business productivity with fast, efficient, and reliable data transfer over Bluetooth wireless technology. Data reader works out of the box for apps that have already integrated CaptureSDK, with support for Bluetooth LE devices.
- **Developer Support** — Our support team is available to assist with set-up and operation.
- **Designed and Assembled in the USA** — Socket mobile data readers are built at our headquarters in Fremont, CA.
- **1-Year Warranty Included** — **Extended warranty** options also available.

## Dimensions



## External Control



## Reading Performance

### Default Barcode Symbologies

- **1D Symbologies:** Bookland Ean, Codabar, Code 128, Code 39, Code 93, Ean Jan 13, Ean Jan 8, Gs1 128, Gs1 Databar Expanded, Gs1 Databar Limited, Gs1 Databar Omnidirectional, Interleaved 2 5, Isbt 128 Udi, Trioptic, Upc A, Upc E

Learn how to **enable and disable** data types.

**Supported Barcode Symbologies**

- **1D Symbologies:** Chinese 2 5, Code 11, Matrix 2 5, Msi
- Learn how to [enable and disable](#) data types.

**Optical Resolution**

0.005 in. Minimum element width

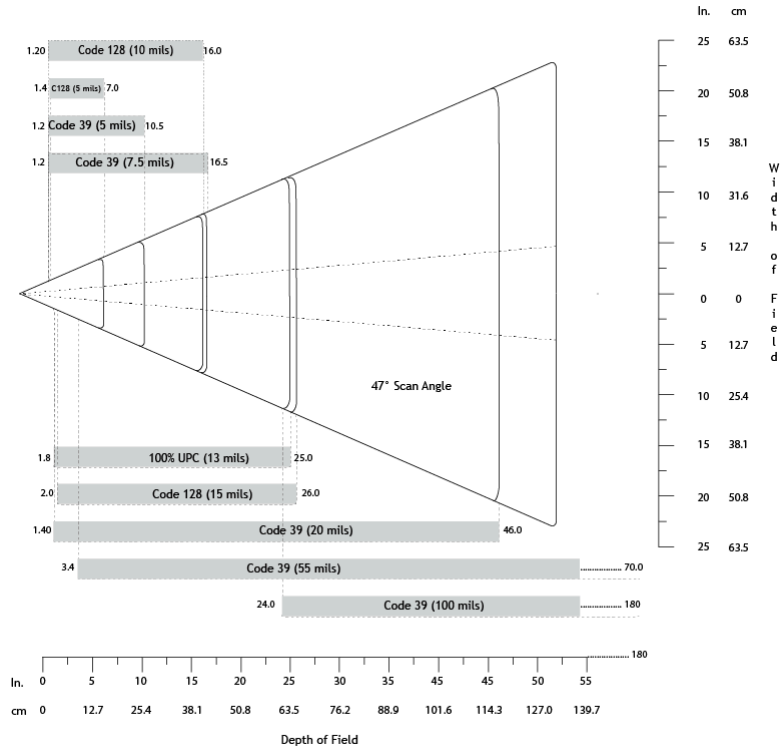
**Print Contrast**

Minimum 25% absolute dark/light Reflectance measured at 650 nm.

**Scan Angle**

Wide: 47° (Default) Medium: 35° Narrow: 10°

**Reading Distance**



1D codes 3.05 to 457.2 cm (1.2 in to 180 in). Depends on width and barcode size, symbology, label media.

	Near	Far
5 mil Code 39	1.2 in/3.0 cm	10.5 in/21.0 cm
5 mils Code 128	1.4 in/3.6 cm	7.0 in/26.7 cm
7.5 mils Code 39	1.2 in/3.0 cm	16.5 in/41.9 cm
<b>Decode Ranges</b>		
10 mils Code 128	1.2 in/3.0 cm	16.0 in/40.6 cm
13 mils 100% UPC	1.8 in/4.6 cm	25.0 in/63.5 cm
15 mils Code 128	2.0 in/5.1 cm	26.0 in/66.0 cm
20 mils Code 39	1.4 in/3.6 cm	46.0 in/116.8 cm
55 mils Code 39	3.4 in/8.6 cm	70.0 in/177.8 cm
100 mils Code 39	24 in/61 cm	180.0 in/457.2 cm

## Battery Information

**Battery Type** 1 rechargeable Lithium Ion Polymer (replaceable battery)

**Charge Time** 8 Hours

**Life of battery** 500 charge-discharge cycles

**Life per full charge** **Standby time:** 25 hours  
**Active Scan Time:** 10,000 scans within 11 hours (based on one scan every 4 seconds)  
*Note: Battery life varies depending on ambient temperature, ambient light, and the age of the battery.*

**Battery weight** 12.5g

**Percentage lithium** 36.3%

**mAh** 700

**Cells per battery** 1

**Watts per battery** 2.59

**Cell type** Proprietary

<b>Chemical composition</b>	Lithium - polymer
-----------------------------	-------------------

<b>Lithium content</b>	4.5g
------------------------	------

<b>Voltage</b>	3.7v
----------------	------

<b>Hazmat UN Number</b>	UN3481, P.I. 967
-------------------------	------------------

<b>ROHS Compliance</b>	Yes, Included with Scanner
------------------------	----------------------------

<b>Country of origin</b>	China
--------------------------	-------

<b>Commodity code</b>	8507.60.0000
-----------------------	--------------

## Bluetooth Information

### Bluetooth Profiles

- **Basic Mode** - Human Interface Device (HID)
- **Application Mode** - Serial Port Profile (SPP)
- **iOS Application Mode** (Default)

Some Operating Systems or smartphone/tablet models may support only one profile.

### Bluetooth Radio

Class 2 Bluetooth, version 2.1 + EDR (Enhanced Data Rates) with 56-bit data encryption

### Bluetooth Range

Up to 10 meters (33 ft.), depending on the environment. The range limit is usually due to the Host Device (phone, tablet, or notebook).

## Operating Systems



## Packaging

### Data Reader with Charging Cable

- Data Reader
- Charging Cable with USB-C to USB-A adapter
- Get Started Guide

## Data Reader with Charging Dock

- Data Reader
- Charging Dock
- USB-C Cable
- Get Started Guide

## Data Reader with Charging Dock and Mount

- Data Reader
- Charging Dock
- Mount
- USB-C Cable
- Get Started Guide

## Data Reader with Holster

- Data Reader
- Charging Cable with USB-C to USB-A adapter
- Holster
- Get Started Guide

## Common Uses

- [Industrial & Manufacturing Solutions](#)
- [Inspections & Audits](#)
- [Track & Trace](#)
- [Transportation & Logistics Solutions](#)
- [Agriculture & Farming Solutions](#)

## User Environments

### Ambient Light

From 0 to 100 000 lux. From pitch black to direct sunlight.

### Charging Temperature

Charging in an ambient temperature above 40° C / 100° F may result in charging issues.

- Drop Specifications**
- Standard:**
    - 10 ft. (3.1m) drop at room temperature per MIL-STD-810G
  - Freezer:**
    - 8 ft. (2.4m) drop to concrete across temperature per MIL-STD-810G
    - 7 ft. (2.1m) drop to concrete across temperature per MIL-STD-810G.

**Operating Temperature** 0° to 45° C (32° to 113° F)

**Relative Humidity** 95% at 60° C (140° F) (non-condensing)

**Sealing** IP67 (Ingress protection rating for dust and water) meets IEC sealing and EN60529 specifications.

**Storage Temperature** -40° to 70° C (-40° to 158° F)

## Certification & Regulatory

### Bluetooth SIG:

- Declaration ID: D030529
- QD ID: 82009

### Electrical Safety:

- EN 62368-1:2020 + A11:2020
- IEC 62368-1:2018
- UL 62368-1:2019 R10.21
- CSA C22.2 NO. 62368-1:19

### Environmental:

- RoHS EN 50581

### EMI / RFI:

- FCC Part 15 Class C, RSS 210, iCES 003, C-Tick, CISPR 22, CE EN55022, EN55024
- TELEC:
- FCC ID: LUBMA41
- IC ID: 2529A-MA41M9

### LED Safety:

- IEC 60825-1
- EN 60825-1





## Product SKUs

- **CX4279-3391** - XG630 (Cable Only)
- **CX4517-3758** - XG630 (Rokform Case for iPhone 15)
- **CX4518-3759** - XG630 (Rokform Case for iPhone 16)
- **CX4843-4153** - XG630 (Rokform Case for iPhone 17)
- **CX4519-3760** - XG630 (Rokform Case for iPhone 17e/16e)

