

G6 DIRECT DRIVE

RACING WHEEL WITH PEDALS BUNDLE

6Nm Peak Torque	16Bit Resolution	13inch D-Shaped	Quick Release Design	Hall Sensor Technology	Brake Dampening Adjustment
---------------------------	----------------------------	---------------------------	-----------------------------	-------------------------------	-----------------------------------

Assembly & User Manual

組裝&使用手冊

組裝&使用說明

G6賽車模擬器說明書-繁中版

■ 產品簡介

G6 直驅方向盤專為 PC 平台設計，提供真實的賽車駕駛體驗。配備強力直驅力回饋技術，使操作更具沉浸感。搭配三腳踏板與可外接掛檔桿，適合各類競速遊戲。

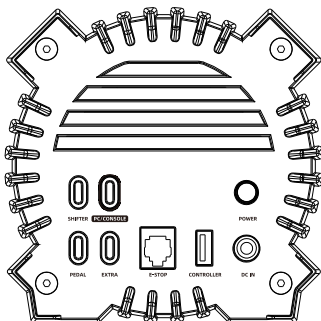
■ 產品特色

- 直驅力回饋技術：6Nm 伺服電機，提供真實駕駛感。
- 支援 PC 平台：適用 Windows 7/10/11。
- 多功能按鍵：12 顆功能按鍵 + 8 方向 D-pad。
- 可更換方向盤面盤：採用快拆設計，支援多款盤面。
- 霍爾感應換檔撥片：靈敏度高，壽命長。
- 金屬三踏板：包含離合、煞車、油門。

■ 內容物

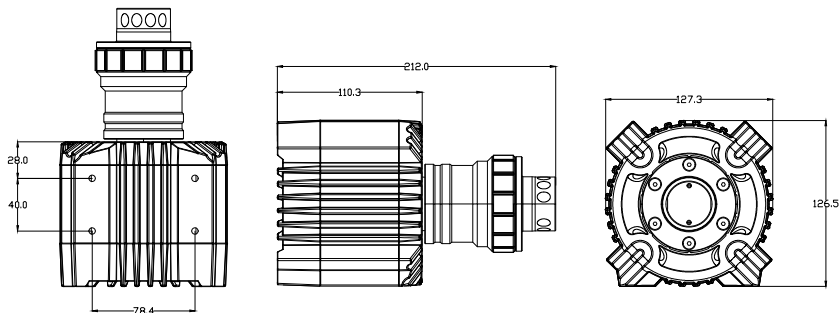
	元件規格	1
1	G6方向盤	1
2	G6直驅基座	1
3	G6踏板	1
4	G6油門踏板	1
5	G6煞車踏板	1
6	G6離合踏板	1
7	USB A TO Type-C 數據線 1.8M	1
8	踏板數據線6P * 9 cm	2
9	USB B TO Type-C 數據線 1.8M	1
10	M2內六角扳手	1
11	4mm內六角扳	1
12	螺絲 M5*8 (固定架用)	10
13	螺絲 M6*12, (基座固定用)	6
14	消音片 (撥片消音用)	1
15	插牆式電源適配器 24.0V 3A	1
16	美規轉換頭	1
17	英規轉換頭	1
18	歐規轉換頭	1
19	澳規轉換頭	1

■ 基座接口介紹



- 排檔器接口SHIFTER
- 電腦接口PC/CONSOLE
- 踏板接口PEDAL
- 其他預留接口EXTRA
- 緊急停止接口E-STOP
- 控制器接口CONTROLLER
- 電源接口DC IN
- 電源開關POWER

■ 基座鎖孔標示



■ 桌面夾具安裝方式

安裝夾具下半部，安裝夾具上半部於基座上，將上下夾具相結合。

確實擰緊旋鈕使其固定於桌面。

■ 方向盤安裝方式

將方向盤對準基座，確認安裝指示線與之對齊，將盤面向基座方按壓，確認快拆件是
否自動鎖緊，若無鎖緊，可輕微轉動盤面與之對齊。

■ 踏板組裝方法

- 1.將油門、煞車、離合踏板由左至右排列，取出踏板與之對應使用螺絲鎖固，此階段
可自由調整踏板之間距以及是否安裝離合器。
- 2.取出水晶頭線材將煞車踏板THRO孔接至油門THRO孔，另一邊將煞車踏板
CLUTCH孔接至離合CLUTCH孔。

■ 連接方式

直連PC電腦使用：

使用USB-A to Type-C 數據線將踏板連接至PC電腦上。

連接基座使用：

使用USB-A to Type-C 數據線將踏板連接至基座PEDAL孔上。

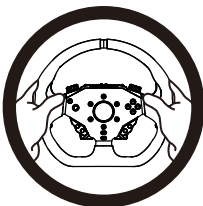
■ 警語

電源安全警告：

- 連接、安裝和移除本產品時，請注意適當用力，請勿扭曲或拉扯介面和線。
- 請勿將任何液體濺到產品或其介面上。
- 請將本產品置於乾燥處，請勿將其投入火中以及暴露於潮濕、高溫、油煙等環境下。
- 請使用隨基座提供的電源線，切勿使用除此之外的其他電源線。
- 若電纜或其介面損壞、開裂或破損，請勿使用。
- 確保電源線正確插入電源轉接器插座，並正確連接到基座背面的介面。
- 請勿自行分拆、改裝及修理。任何維修必須由製造商、其授權代表或合格技術人員進行。
- 只能使用製造商指定的附著系統或配件。
- 如果本產品出現任何異常聲音、發熱或氣味，請立即停止使用，將電源線從電源插座上拔掉並斷開其他電纜。
- 若長時間不使用本產品，請電源插座斷開電源線，電源插座必須位於設備附近，且必須方便插拔電源線。

力回饋和重複動作可能造成傷害，為避免發生意外，請參考使用建議：

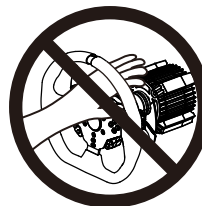
- 避免遊戲時間過長。
- 使用本產品每一小時後應休息10到15分鐘。
- 如果感覺手、腕、手臂、腿或腳出現任何疲勞或疼痛，請停止遊戲並休息幾個小時，然後再重新開始遊戲。
- 重新開始遊戲之後，如果症狀或疼痛持續存在，請停止遊戲並諮詢醫生。
- 請放在兒童接觸不到的地方。
- 確保賽車方向盤基座和麵盤按照本手冊的說明完成固定。
- 雙手手勢：在遊戲過程中，要隨時保持雙手在方向盤處於正確位置，而不是隨意放置。



始終保持



絕對禁止



絕對禁止

- 在遊戲過程中，切勿將手或手指放在踏板下方或靠近踏板的任何位置。
- 在校準和遊戲過程中，切勿將手或手臂穿過方向盤的開口。

*本產品只能由年滿 16 歲或以上的使用者操作。

基座通風散熱警告：

確保未阻塞基座上的任何通氣孔。為了實現最佳通風，請確保您已做到以下幾點：

- 基座與任何牆面至少保持10cm 的距離。
- 請勿將基座置於任何狹窄空間。
- 請勿遮蓋基座。
- 請避免灰塵在通氣孔中堆積。

基座溫度警告：

- 因通風、環境、使用等因素導致的馬達溫度過高（60℃或以上）時，基座馬達將自動降低輸出功率。
- 因通風、環境、使用等因素導致的馬達溫度過高（70℃或以上）時，基座馬達將自動斷電。
- 因溫度過高導致基座馬達降低輸出功率或斷電時，請勿觸碰馬達的任何部位。

G6 Direct Driver Racing Wheel with Pedals Bundle Assembly&User Manual

■ Product Introduction

The G6 Direct Drive Racing Wheel is designed for the PC platform, providing an authentic racing experience. Equipped with powerful direct drive force feedback technology, it enhances immersion in gameplay. Combined with a three-pedal set and optional gear shifter support, it is suitable for various racing games.

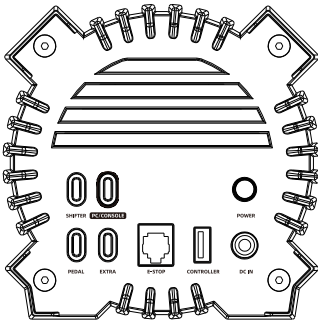
■ Product Features

- Direct Drive Force Feedback: 6Nm servo motor delivers a realistic driving feel.
- PC Platform Support: Compatible with Windows 7/10/11.
- Multifunctional Buttons: 12 function buttons + 8-direction D-pad.
- Interchangeable Steering Wheel Rims: Quick-release design supports multiple rim options.
- Hall Effect Sensor Paddle Shifters: High sensitivity and long lifespan.
- Metal Three-Pedal Set: Includes clutch, brake, and accelerator pedals.

■ Package Contents

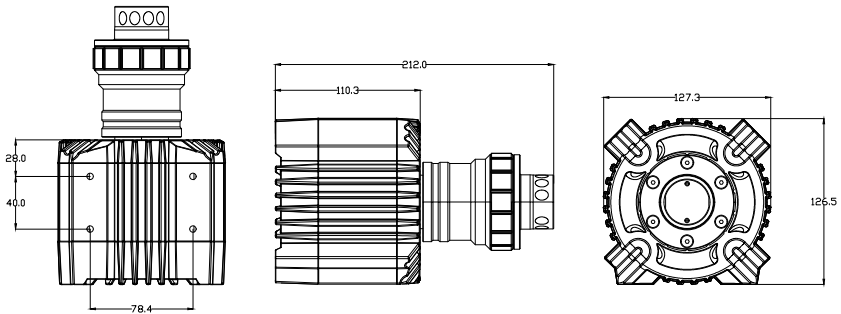
	Component Specification	1
1	G6 Steering Wheel	1
2	G6 Direct Drive Base	1
3	G6 Pedal Set	1
4	G6 Accelerator Pedal	1
5	G6 Brake Pedal	1
6	G6 Clutch Pedal	1
7	USB-A to Type-C Data Cable (1.8M)	1
8	6P Pedal Data Cable (9 cm)	2
9	USB-B to Type-C Data Cable (1.8M)	1
10	M2 Hex Wrench	1
11	4mm Hex Wrench	1
12	M5*8 Screws (for mounting bracket)	10
13	M6*12 Screws (for base mounting)	6
14	Silencers (for paddle shifters)	1
15	Wall Power Adapter (24.0V 3A)	1
16	US Plug Adapter	1
17	UK Plug Adapter	1
18	EU Plug Adapter	1
19	AU Plug Adapter	1

■ Base Interface Overview



- Shifter Port (SHIFTER)
- PC/Console Port (PC/CONSOLE)
- Pedal Port (PEDAL)
- Reserved Extra Port (EXTRA)
- Emergency Stop Port (E-STOP)
- Controller Port (CONTROLLER)
- Power Input (DC IN)
- Power Switch (POWER)

■ Base Mounting Holes Guide



■ Desk Clamp Installation Method

1. Attach the lower part of the clamp.
2. Install the upper part of the clamp onto the base.
3. Combine the upper and lower clamp components.
4. Tighten the knob securely to fix it onto the desk.

■ Steering Wheel Installation Method

1. Align the steering wheel with the base.
2. Ensure the installation guide marks are aligned.
3. Press the wheel onto the base until the quick-release mechanism locks automatically.
4. If not locked, slightly rotate the wheel until it aligns and locks in place.

■ Pedal Assembly Method

1. Arrange the accelerator, brake, and clutch pedals from left to right.
2. Secure the pedals with screws while adjusting their spacing and deciding whether to install the clutch pedal.
3. Use the RJ cable to connect the THRO port on the brake pedal to the THRO port on the accelerator pedal.
4. Connect the CLUTCH port on the brake pedal to the CLUTCH port on the clutch pedal.

■ Connection Methods

Direct Connection to PC:

Use the USB-A to Type-C data cable to connect the pedals directly to the PC.

Connecting to the Base:

Use the USB-A to Type-C data cable to connect the pedals to the PEDAL port on the base.

■ Warnings

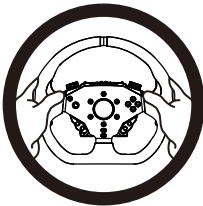
Power Safety Warnings:

Use appropriate force when connecting, installing, or removing the product; do not twist or pull cables.

- Do not spill any liquid on the product or its ports.
- Keep the product in a dry place; do not expose it to fire, humidity, high temperatures, or oil fumes.
- Use only the power adapter provided with the base; do not use any other power cables.
- Do not use the product if cables or ports are damaged, cracked, or broken.
- Ensure the power cable is correctly inserted into the power adapter and securely connected to the base.
- Do not attempt to disassemble, modify, or repair the product yourself. Repairs must be performed by the manufacturer, authorized representatives, or qualified technicians.
- Use only manufacturer-specified accessories and attachments.
- If the product emits unusual sounds, heat, or odors, stop use immediately, unplug the power cable, and disconnect other connections.
- If the product will not be used for an extended period, unplug it from the power outlet.

Force Feedback and Repetitive Motion Warning:

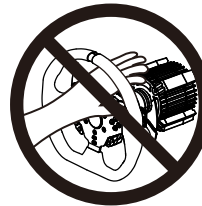
- Avoid prolonged gaming sessions.
- Take a 10 to 15-minute break after every hour of use.
- If you experience fatigue, pain, or discomfort in your hands, wrists, arms, legs, or feet, stop playing and rest for several hours before resuming.
- If symptoms persist after resuming, stop playing and consult a doctor.
- Keep the product out of reach of children.
- Ensure the racing wheel base and steering wheel are properly secured as instructed.
- Maintain a correct hand position on the wheel during gameplay.



Always keep



Absolutely
forbidden



Absolutely
forbidden

- Do not place hands or fingers under or near the pedals during use.
- Do not put hands or arms through the steering wheel openings during calibration or gameplay.
- This product is intended for users aged 16 and older.

Base Ventilation Warning: To ensure optimal ventilation:

- Do not block any ventilation holes on the base.
- Maintain at least 10 cm of space between the base and any walls.
- Do not place the base in an enclosed space.
- Do not cover the base.
- Avoid dust accumulation in the ventilation holes.

Base Temperature Warning:

- If the motor temperature exceeds 60°C due to ventilation, environment, or usage factors, the base will automatically reduce power output.
- If the motor temperature exceeds 70°C, the base will shut down automatically.
- Do not touch any part of the motor if the base reduces power output or shuts down due to high temperature.

