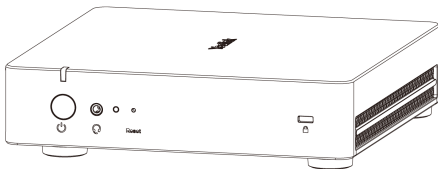


MCoreKit-C5U

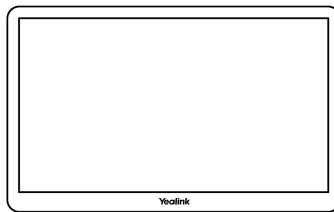
Requirements

- A display connected to MCore 4 (not included).
- A Microsoft Teams Rooms account (not included).
- Wired network environment (not included).

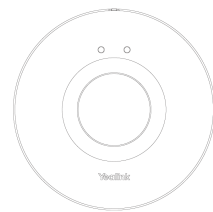
Package Contents



MCore 4 Package



MTouch Plus Package



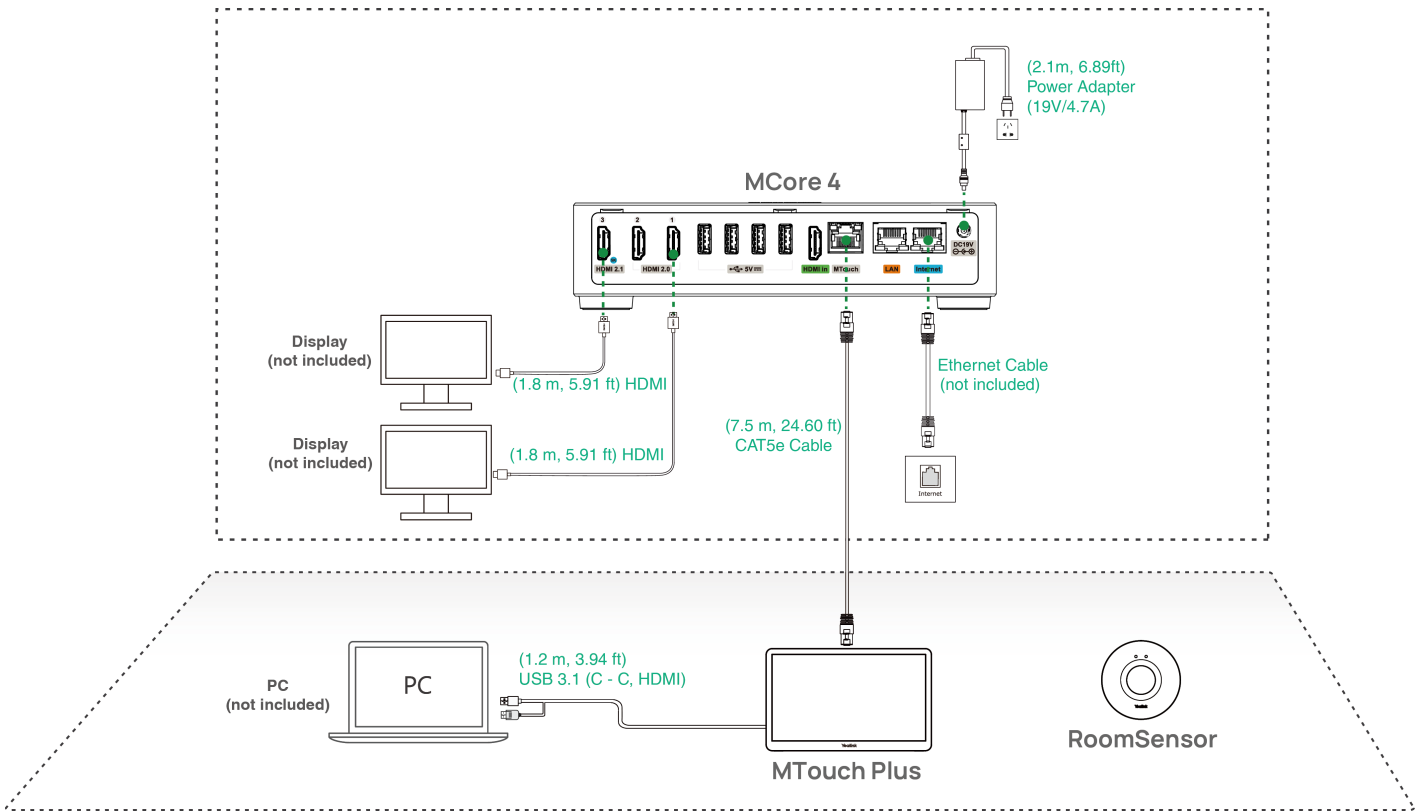
RoomSensor Package

- MCore 4 package details see [MCore 4 Installation](#).
- MTouch Plus package details see [MTouch Plus Installation](#).
- RoomSensor package details see [RoomSensor Installation](#).

Install MCoreKit-C5U

- **MCore 4** supports: mounting on the wall, mounting on the TV, and putting on a table.
- **MTouch Plus** supports: put on a table, paste on a table, fixed on a table, and mount on the wall.
- **Roomsensor** supports: mounting on the ceiling, mounting on the wall.

Connect MCoreKit-C5U



NOTE

- When starting up the system for the first time, you need to connect a mouse to complete the initial configuration. We recommend using the wireless mouse and keyboard kit.
- Not included accessories requirements:
 - **Display:** Resolution of 1080p or higher and with an HDMI port.
 - **PC:** Equipped with HDMI or USB-C (support DP protocol) port.
 - **Ethernet cable:** CAT5e or higher ethernet cable.
 - **HDMI:** Standard HDMI cable.
 - **PoE switch:** If you use PoE to connect speakers or cameras, you need to use PoE+.

Supported Accessories

For the compatible devices and the maximum number of compatible devices, please refer to [Teams Room Accessories Compatibility Lists](#).

Initial Setup

When the hardware deployment and connections are completed, you need to set up your Microsoft Teams Room System (MVC) system. Please refer to [Quick Setup](#) for more details.

Features

Wireless Sharing

1. Connect the Wireless Presentation Pod to the USB port of the MTouch Plus. When pairing, the LED indicator of Wireless Presentation Pod is orange. When the pairing is successful, the LED indicator turns green breathing light.
2. Connect the paired Wireless Presentation Pod to the USB-A/USB-C port on your PC.
3. On the Wireless Presentation Pod, press the presentation button to share the full screen.

Pair with a RoomSensor

1. Switch the account from Microsoft Teams to Admin.
2. Open Yealink RoomConnect Software.
3. Go to **MTouch Plus > Device Status > Sensor**.
4. Select **Add** and follow the on-screen instructions to pair.

NOTE

- An MTouch Plus can be paired with only one RoomSensor.
- The distance between the MTouch Plus and RoomSensor must be within 20m.