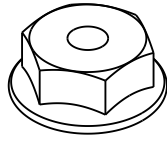


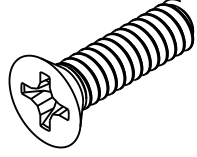
REV	DESCRIPTION	REV BY	REV DATE	APP'D BY	DATE APP.
A	PRODUCTION RELEASE	///	////	/	/

**KIT INCLUDES:**

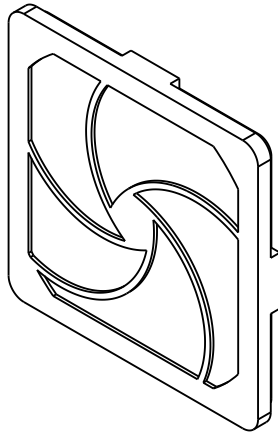
4X NUTS



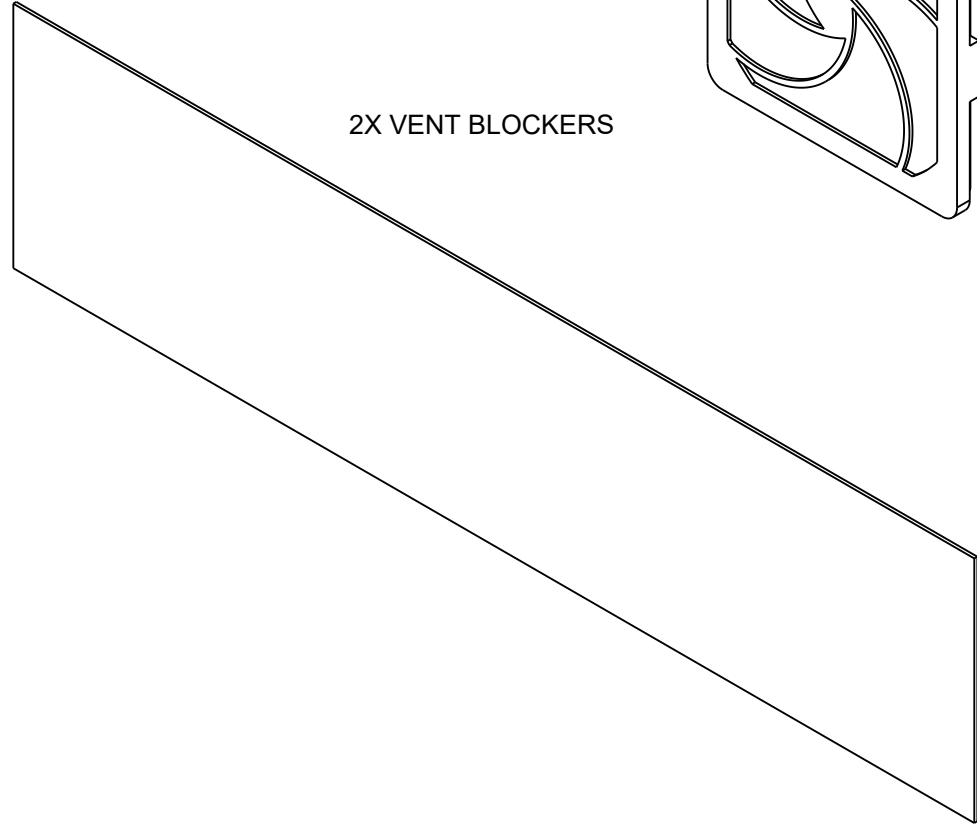
4X SCREWS



2X FILTERS

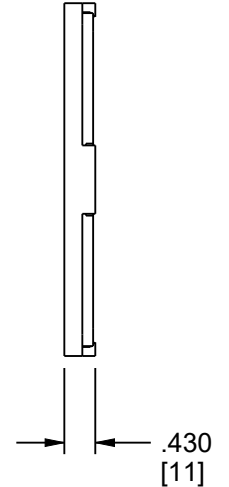
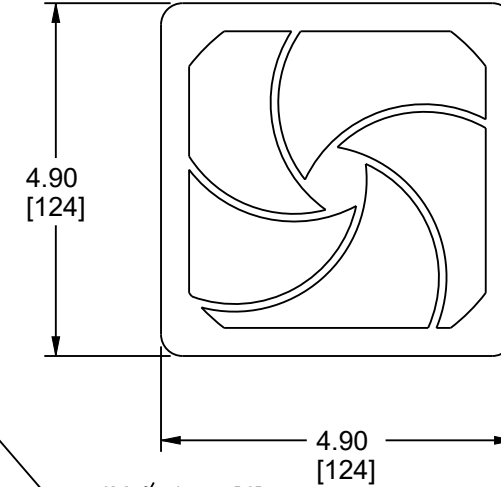
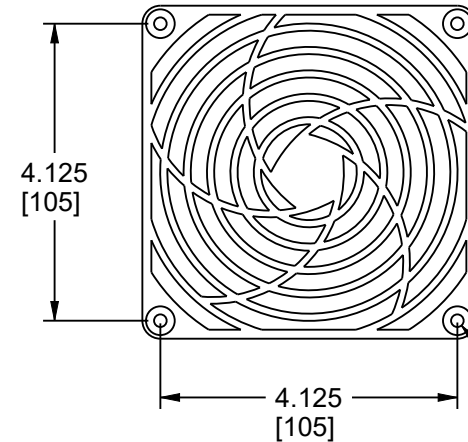
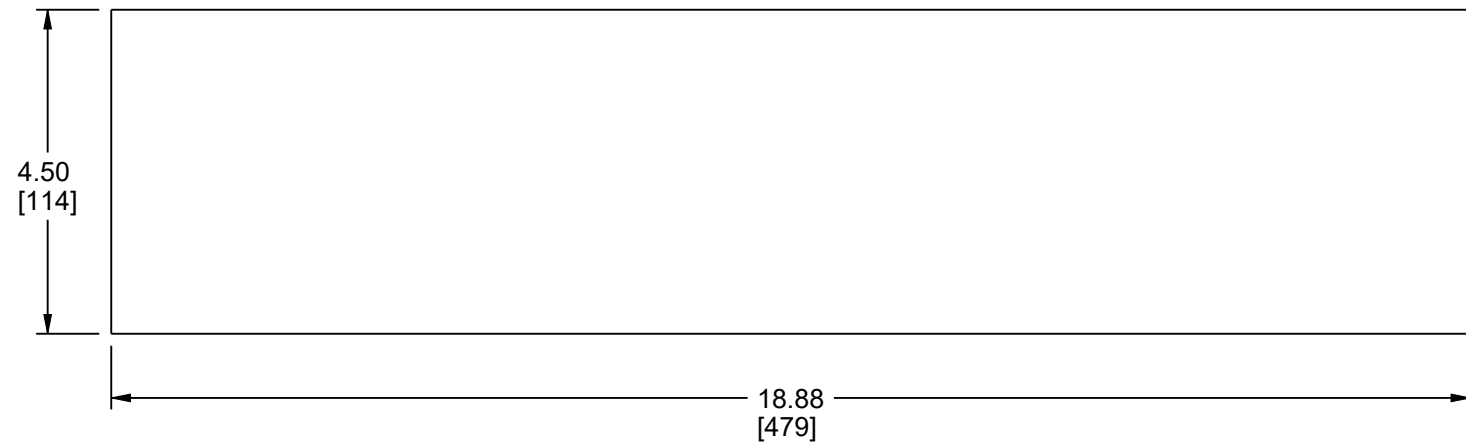
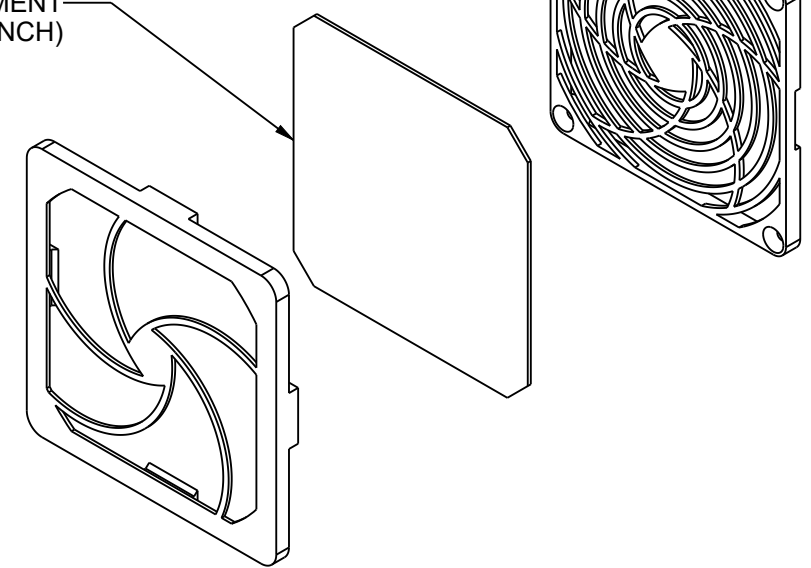


2X VENT BLOCKERS



NOTE(S):  
1) ALL DIMENSIONS IN FORMAT:INCHES [MILLIMETERS]

REPLACABLE ELEMENT  
45 PPI (PORES PER INCH)



4X Ø .175 [4]  
MOUNTING HOLES

PROJECTION: 1" ANGLE SCALE = 3/8 SHEET 1 OF 1	UNLESS OTHERWISE SPECIFIED, ALL DIMENSIONS ARE IN INCHES GENERAL TOLERANCES: DEC: 1 PLACE +/-0.1 ANGLE: +/-1° 2 PLACE +/-0.03 FRAC: +/-1/32 3 PLACE +/-0.010 HOLE SIZE: +/-0.002	APPROVALS	DATE	<b>MIDDLE ATLANTIC</b> <small>A brand of Elgiomat</small>	TITLE	FILTER-R-4-2K --
		MODELED RA DRAWN RA	09/07/23 09/07/23		DWG NO. 120-00047_FILTER-R-4-2K	DWG REV 1

THIS DRAWING CONTAINS TRADE INFORMATION DEEMED TO BE CONFIDENTIAL AND PROPRIETARY PROPERTY OF MIDDLE ATLANTIC PRODUCTS, INC. AND IS TO BE USED ONLY FOR THE PURPOSES FOR WHICH IT IS SUBMITTED AND FURTHER SHALL NOT BE COPIED IN WHOLE OR PART WITHOUT WRITTEN PERMISSION FIRST OBTAINED FROM MIDDLE ATLANTIC PRODUCTS, INC.