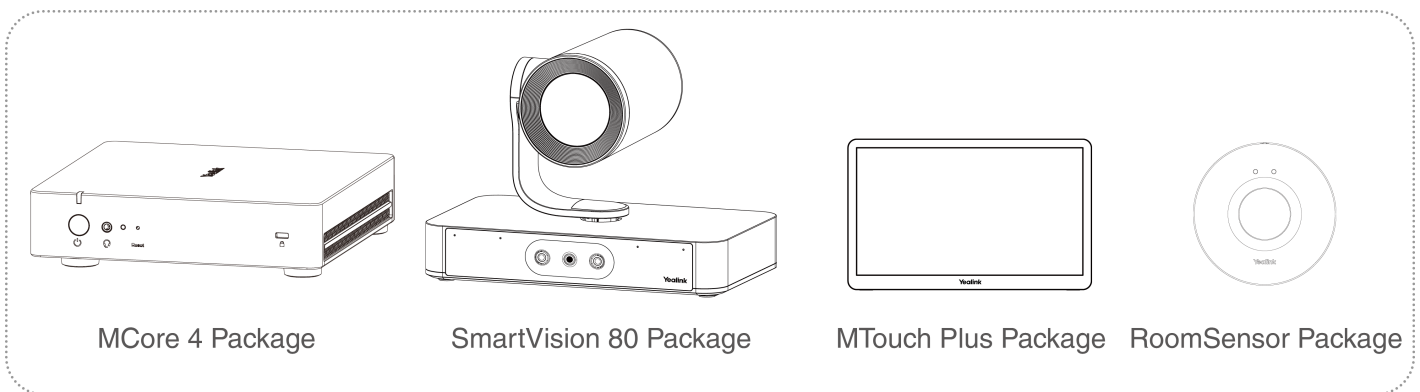


# MVC S80-C5U

## Requirements

- A display connected to MCore 4 (not included).
- A Microsoft Teams Rooms account (not included).
- Wired network environment (not included).

## Package Contents

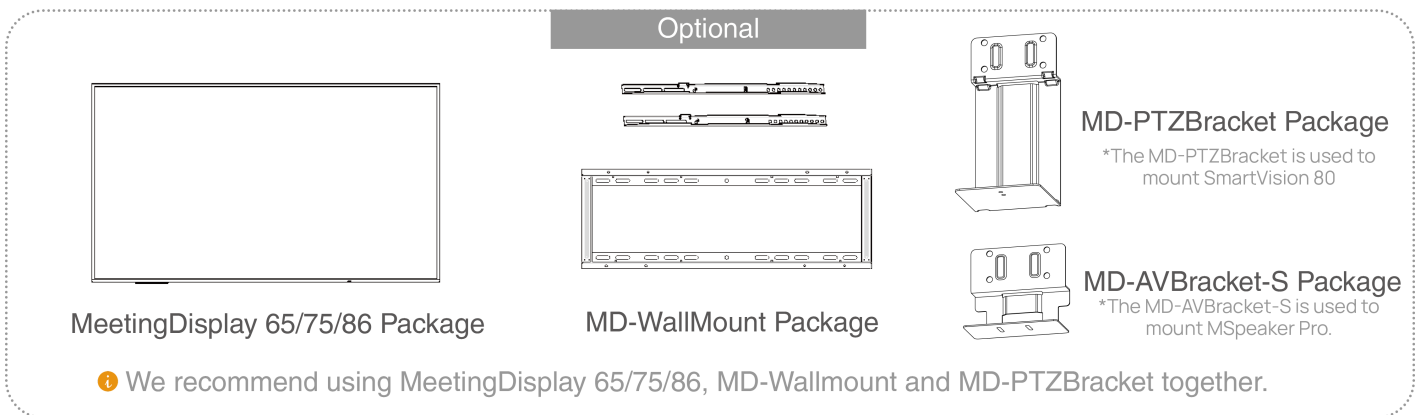


MCore 4 Package

SmartVision 80 Package

MTouch Plus Package

RoomSensor Package



Optional

MeetingDisplay 65/75/86 Package

MD-WallMount Package

MD-PTZBracket Package

\*The MD-PTZBracket is used to mount SmartVision 80

MD-AVBracket-S Package

\*The MD-AVBracket-S is used to mount MSpeaker Pro.

**i** We recommend using MeetingDisplay 65/75/86, MD-Wallmount and MD-PTZBracket together.

- MCore 4 package details see [MCore 4 Installation](#).
- SmartVision 80 package details see [SmartVision 80 Installation](#).
- MTouch Plus package details see [MTouch Plus Installation](#).
- RoomSensor package details see [RoomSensor Installation](#).

## Install MVC S80-C5U

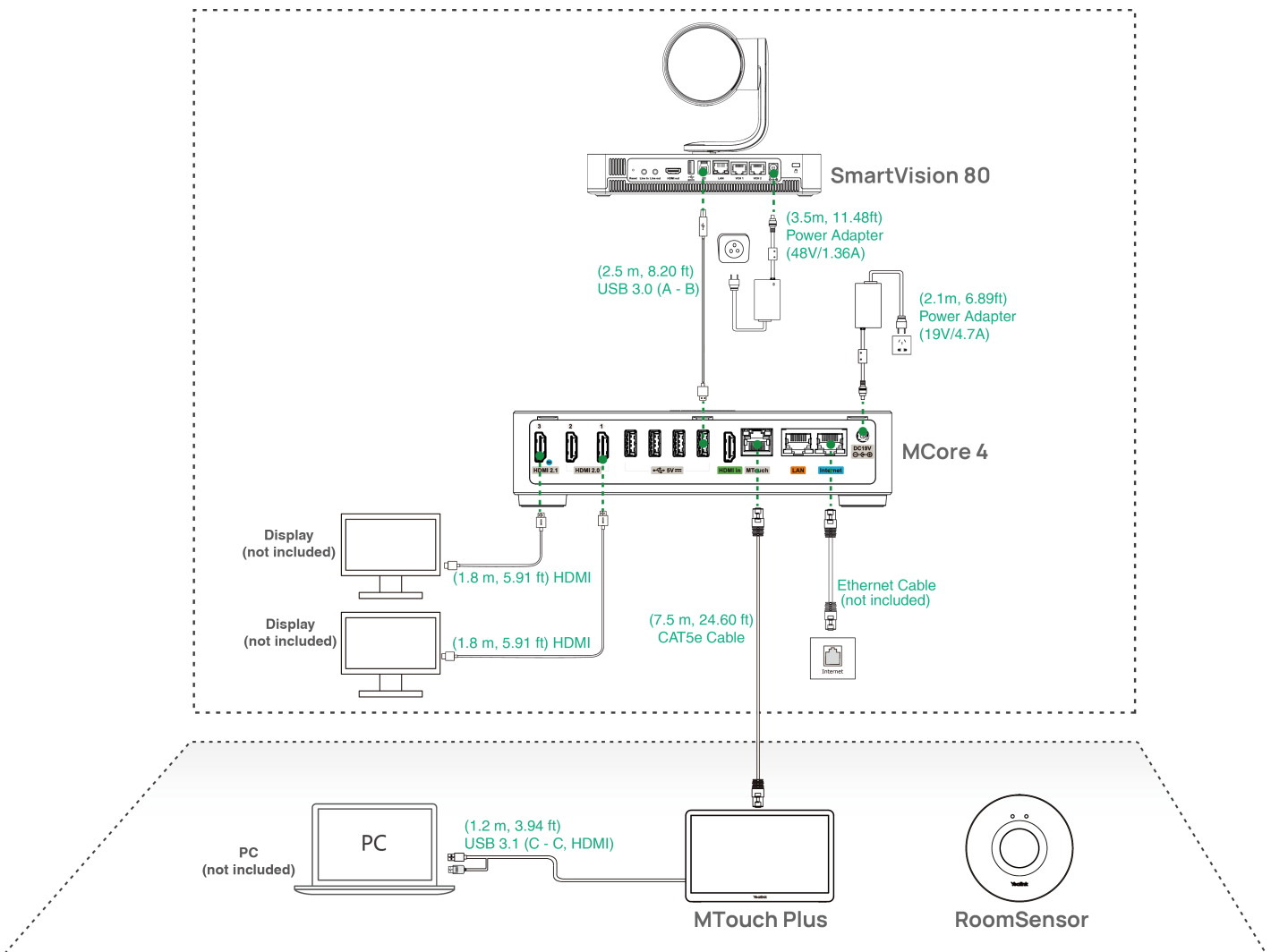
- **MCore 4** supports: mount on the wall, mount on the TV, put on a table, mount on the MeetingDisplay (optional)
- **MTouch Plus** supports: put on a table, paste on a table, fixed on a table, mount on the wall.
- **SmartVision 80** supports: put on a table, mount on top of the TV, mount onto the TV Mount, mount on the wall, mount on the MeetingDisplay (requires MD-PTZBracket, optional).

- **RoomSensor** supports: mount on the ceiling, mount on the wall.
- **MeetingDisplay** supports: install on the MD-WallMount Bracket (optional), Install on the Electric Lift Stand MB-FS-Lift (optional).

**NOTE**  
 If the MSpeaker Pro is purchased, it can also be installed beneath the MeetingDisplay using the MD-AVBracket-S. Only one device—either the SmartVision or the MSpeaker Pro—can be mounted at the bottom of the MeetingDisplay.

## Connect MVC S80-C5U

### Optional 1: Basic Connection

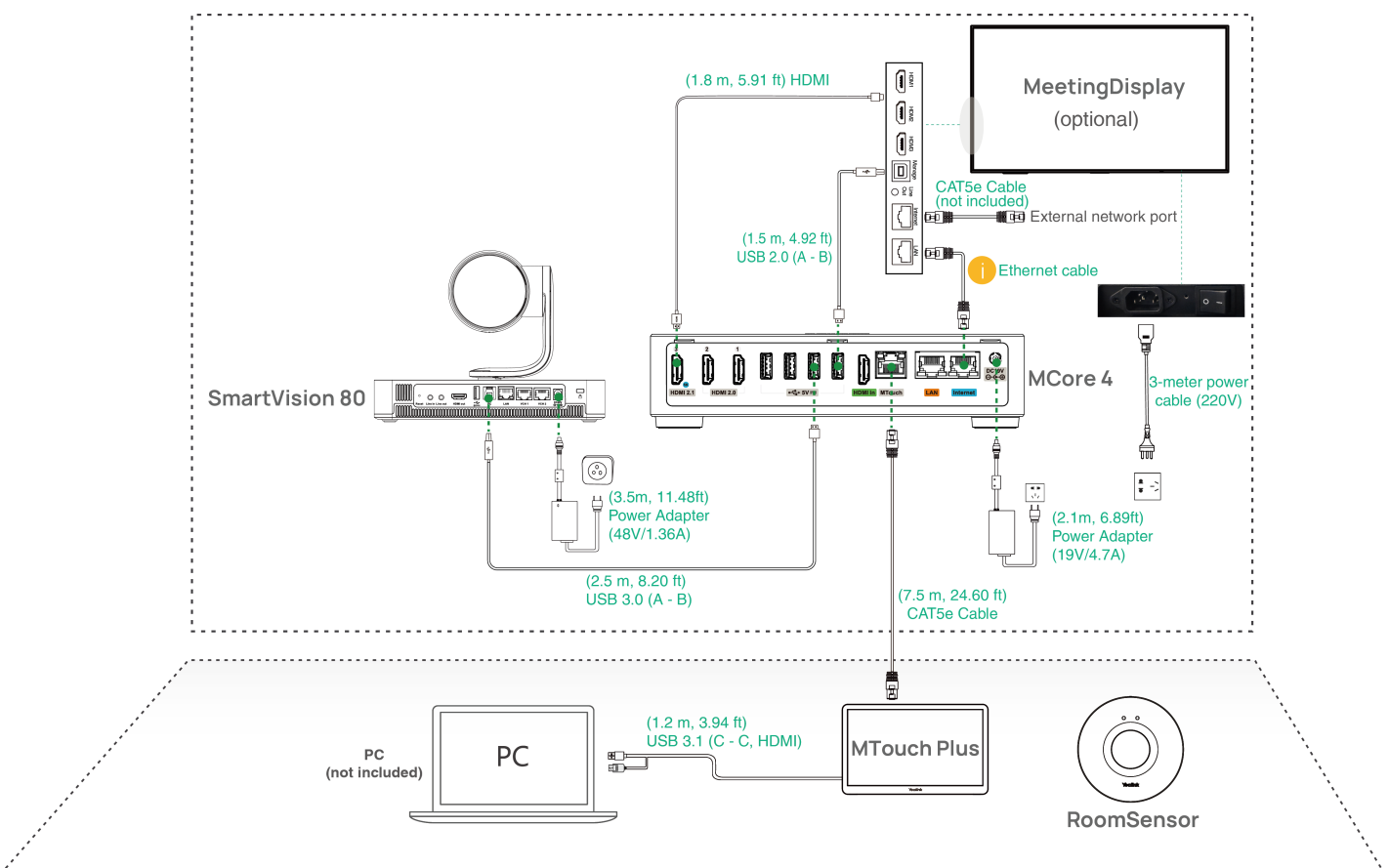


**NOTE**

- When starting up the system for the first time, you need to connect a mouse to complete the initial configuration. We recommend using the wireless mouse and keyboard kit.
- Not included accessories requirements:
  - **Display:** Resolution of 1080p or higher and with an HDMI port.
  - **PC:** Equipped with HDMI or USB-C (support DP protocol) Port.
  - **PoE switch:** If you use PoE to connect speakers or cameras, you need to use PoE+.
  - **Ethernet cable:** CAT5e or higher ethernet cable.

**Optional 2: Connect with MeetingDisplay**

If not connected to the LAN port of MeetingDisplay, please connect to the external network port.



**NOTE**

- When starting up the system for the first time, you need to connect a mouse to complete the initial configuration. We recommend using the wireless mouse and keyboard kit.
- Not included accessories requirements:
  - **PC:** Equipped with HDMI or USB-C (support DP protocol) Port.
  - **PoE switch:** If you use PoE to connect speakers or cameras, you need to use PoE+.
  - **Ethernet cable:** CAT5e or higher ethernet cable.

## Supported Accessories

For the compatible devices and the maximum number of compatible devices, please refer to [Teams Room Accessories Compatibility Lists](#).

## Initial Setup

When the hardware deployment and connections are completed, you need to set up your Microsoft Teams Room System (MVC) system. Please refer to [Quick Setup](#) for more details.

## Features

### Wireless Sharing

1. Connect the Wireless Presentation Pod to the USB port of the MTouch Plus. When pairing, the LED indicator of Wireless Presentation Pod is orange. When the pairing is successful, the LED indicator turns green breathing light.
2. Connect the paired Wireless Presentation Pod to the USB-A/USB-C port on your PC.
3. On the Wireless Presentation Pod, press the presentation button to share the full screen.

### Pair with a RoomSensor

1. Switch the account from Microsoft Teams to Admin.
2. Open Yealink RoomConnect Software.
3. Go to **MTouch Plus > Device Status > Sensor**.
4. Select **Add** and follow the on-screen instructions to pair.

#### **NOTE**

- An MTouch Plus can be paired with only one RoomSensor.
- The distance between the MTouch Plus and RoomSensor must be within 20m.