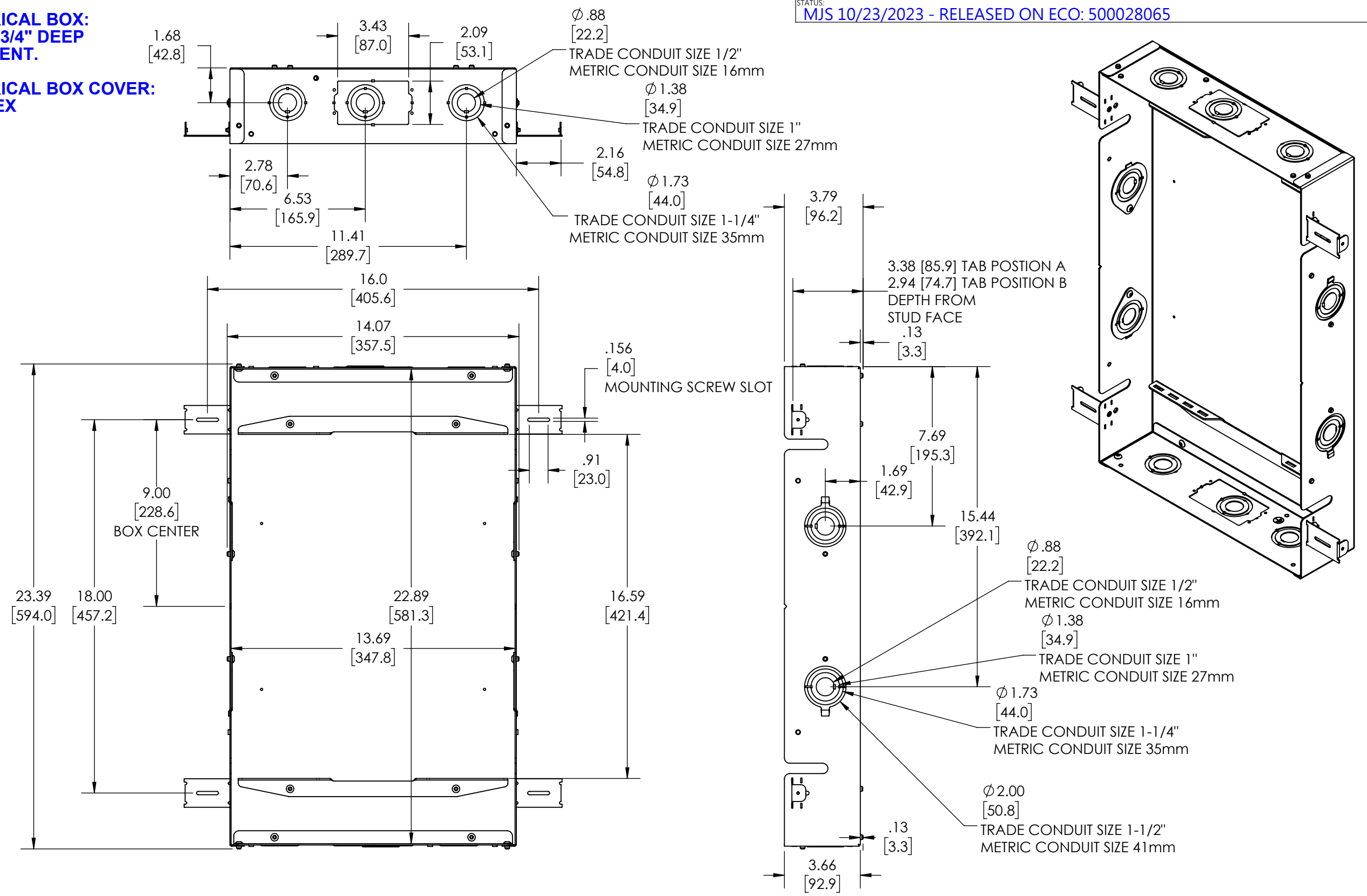


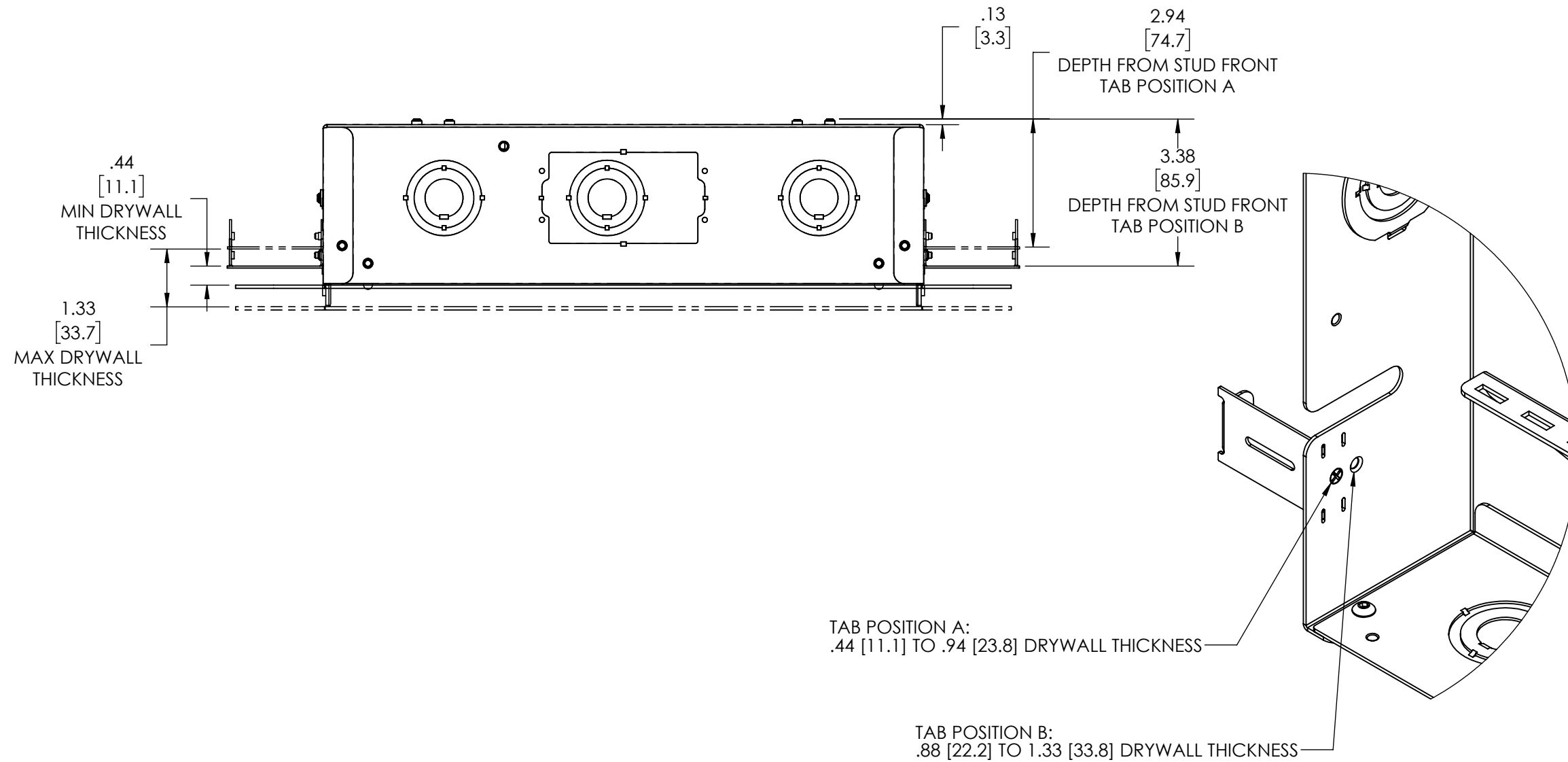
**RECOMMENDED ELECTRICAL BOX:
RACO 560 3" X 2" BOX, 2 3/4" DEEP
GANGABLE OR EQUIVALENT.**

**RECOMMENDED ELECTRICAL BOX COVER:
RACO 864 SINGLE DUPLEX**



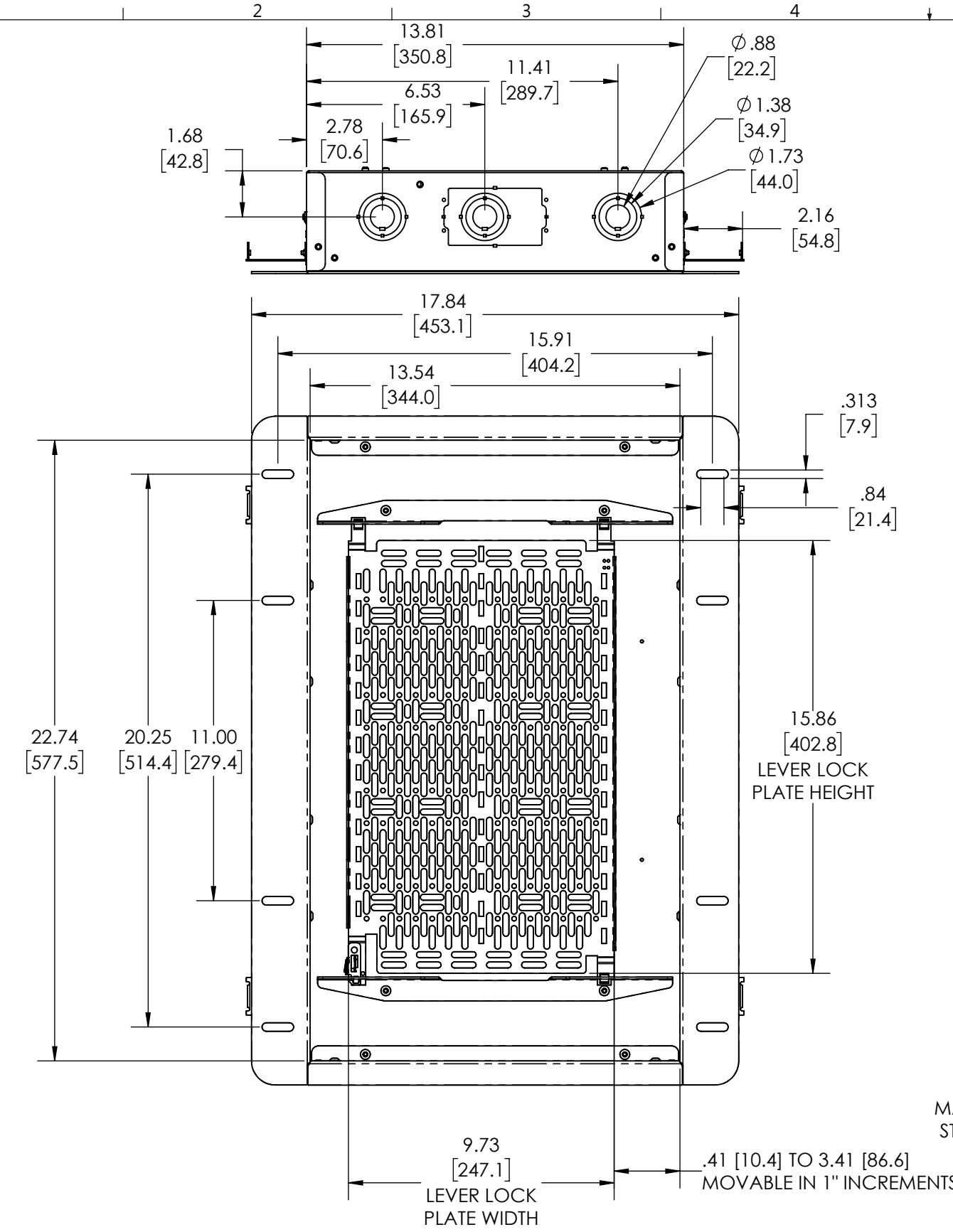
THE INFORMATION AND DESIGNS CONTAINED IN THIS DRAWING ARE CONFIDENTIAL AND THE PROPRIETARY PROPERTY OF LEGRAND | AV. NEITHER THIS DESIGN NOR ANY INFORMATION CONTAINED IN THIS DRAWING MAY BE REPRODUCED OR DISCLOSED TO OTHERS WITHOUT THE EXPRESS WRITTEN CONSENT OF LEGRAND | AV.

CAD GENERATED DRAWING, DO NOT MANUALLY UPDATE.		CHIEF		6436 CITY WEST PKWY EDEN PRAIRIE MN, 55344 PHONE: 866-977-3901 FAX: 877-894-6918	
DRAWN BY	MJS	10/10/2023	DESCRIPTION		
ENG APPROVAL			TEMPO IN-WALL AV STORAGE BOX, 14" X 23"		
MFG APPROVAL			MODEL NO.		
QA APPROVAL			SCALE		
SHEET 1 OF 3		1:5	SIZE	DWG. NO.	REV.
			B	TECH-001279	00

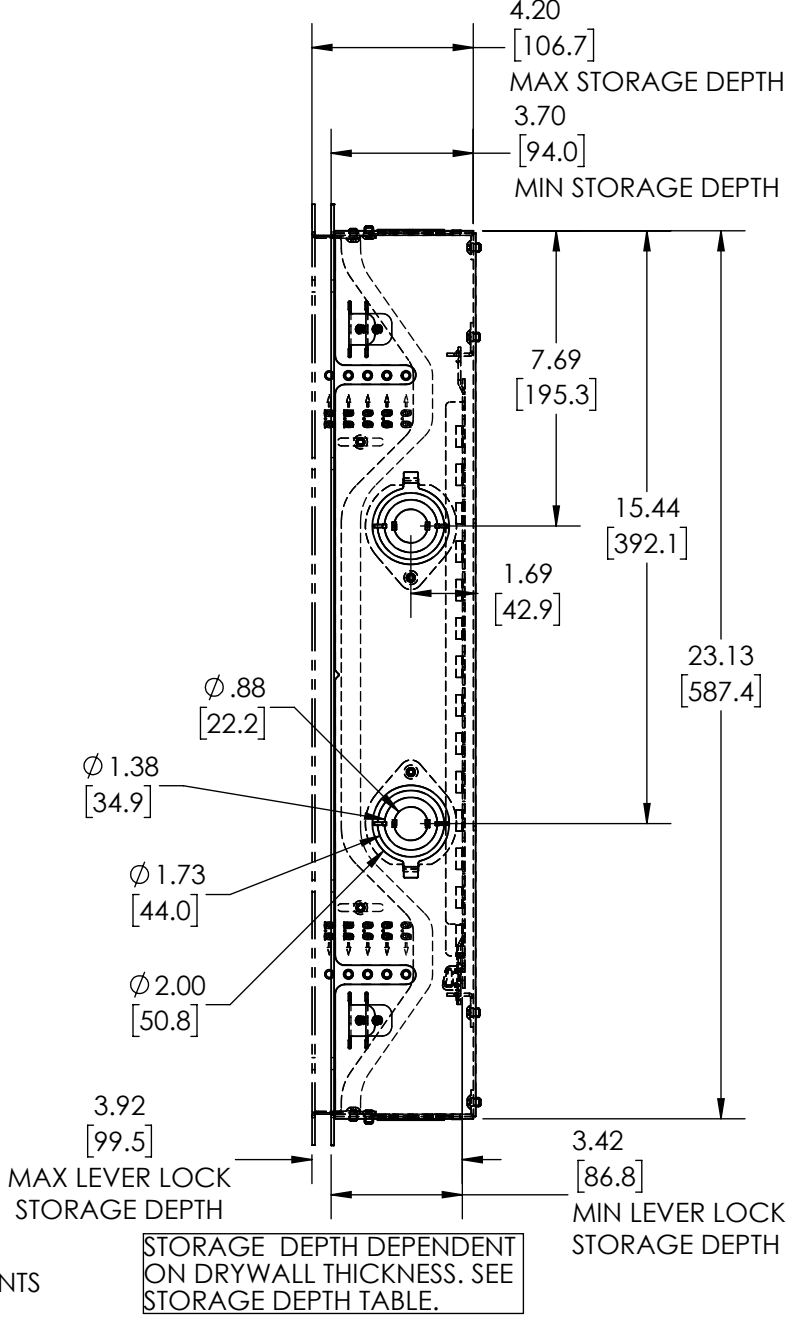


THE INFORMATION AND DESIGNS CONTAINED IN THIS DRAWING ARE CONFIDENTIAL AND THE PROPRIETARY PROPERTY OF LEGRAND | AV. NEITHER THIS DESIGN NOR ANY INFORMATION CONTAINED IN THIS DRAWING MAY BE REPRODUCED OR DISCLOSED TO OTHERS WITHOUT THE EXPRESS WRITTEN CONSENT OF LEGRAND | AV.

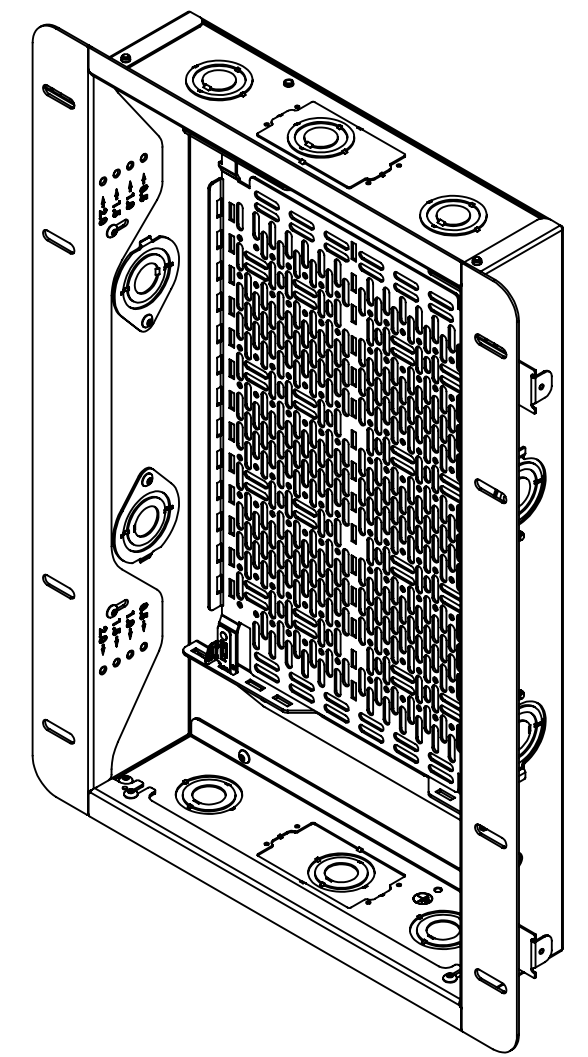
CAD GENERATED DRAWING, DO NOT MANUALLY UPDATE.					6436 CITY WEST PKWY EDEN PRAIRIE MN, 55344 PHONE: 866-977-3901 FAX: 877-894-6918	
DRAWN BY	MJS	10/10/2023	DESCRIPTION			
ENG APPROVAL			TEMPO IN-WALL AV STORAGE BOX, 14" X 23"			
MFG APPROVAL			MODEL NO.			
QA APPROVAL						
SHEET 2 OF 3		SCALE	SIZE	DWG. NO.	REV.	
		1:3	B	TECH-001279	00	



STORAGE DEPTH DEPENDENT ON DRYWALL THICKNESS. SEE STORAGE DEPTH TABLE.



STORAGE DEPTH DEPENDENT ON DRYWALL THICKNESS. SEE STORAGE DEPTH TABLE.



STORAGE DEPTH TABLE				
LEVER LOCK PLATE TO FRONT OF BOX DEPTH				
DRYWALL THICKNESS	0.50 IN	0.63 IN	1.00 IN	1.25 IN
DEPTH	3.48	3.61	3.54	3.79

THE INFORMATION AND DESIGNS CONTAINED IN THIS DRAWING ARE CONFIDENTIAL AND THE PROPRIETARY PROPERTY OF LEGRAND | AV. NEITHER THIS DESIGN NOR ANY INFORMATION CONTAINED IN THIS DRAWING MAY BE REPRODUCED OR DISCLOSED TO OTHERS WITHOUT THE EXPRESS WRITTEN CONSENT OF LEGRAND | AV.

CAD GENERATED DRAWING, DO NOT MANUALLY UPDATE.				6436 CITY WEST PKWY EDEN PRAIRIE MN, 55344 PHONE: 866-977-3901 FAX: 877-894-6918	
DRAWN BY	MJS	10/10/2023	DESCRIPTION		
ENG APPROVAL			TEMPO IN-WALL AV STORAGE BOX, 14" X 23"		
MFG APPROVAL			MODEL NO.		
QA APPROVAL			SCALE	SIZE	DWG. NO.
SHEET 3 OF 3		1:5	B	TECH-001279	REV. 00