

## Elevate Slim

### Assembly Instructions

#### Tools Required:

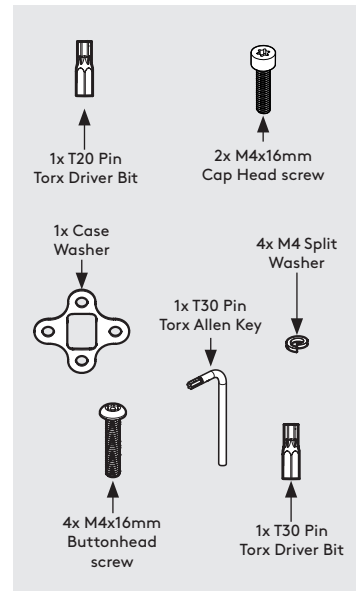
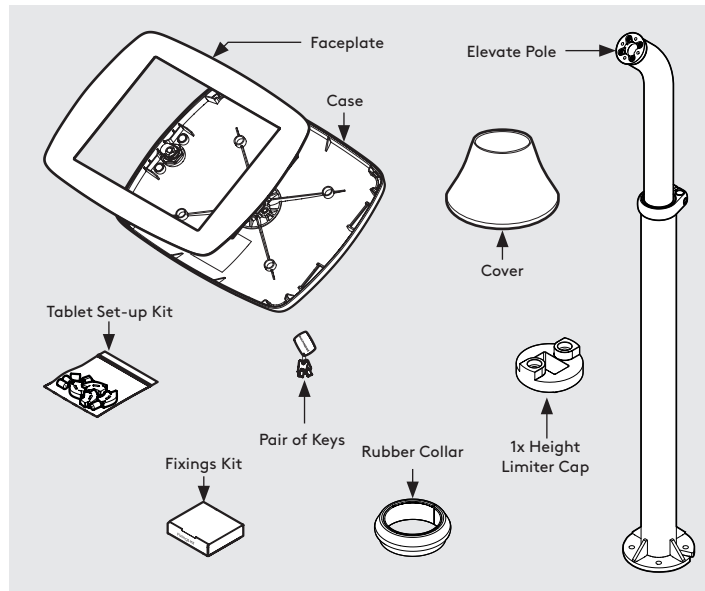
- Pencil
- Socket Driver
- Drill \*or adjustable spanner
- Drillbit

*\*Please note that the drillbit size & type will be determined by your chosen fixing method and material of the mounting surface.  
Ensure you have access to the appropriate tools to secure the Elevate to your mounting surface.  
\*Bouncepad does not provide these fixings.*

Sheet Code: BP-IM-112\_REV0

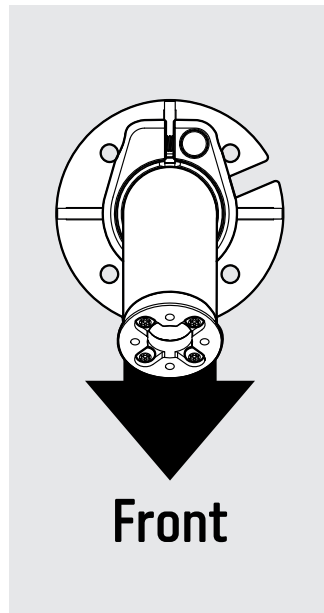
Release Date: 18/02/2025

Copyright 2025 SpotSpot Ltd. (T/A Bouncepad) all rights reserved.  
Confidential, no part of this publication may be reproduced or transmitted in any form without the written permission of the copyright holder.

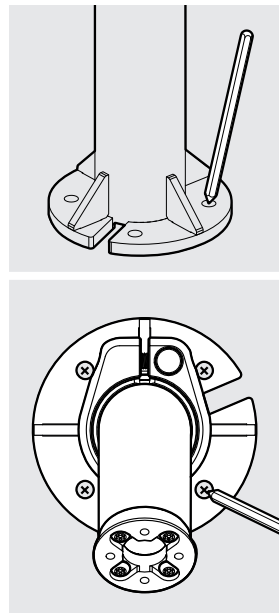


#### Fixings List

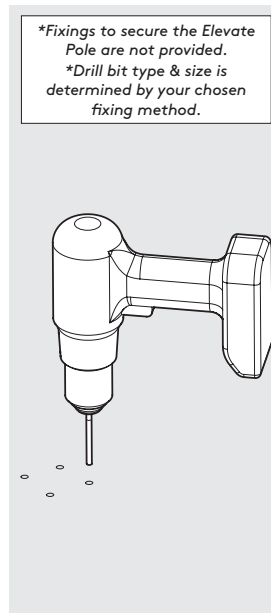
*\* Due to the modular nature of our product range you may receive additional fixings in the fixings kit*



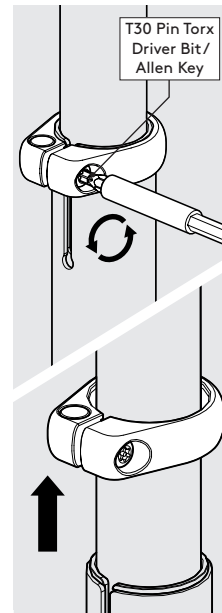
**1** Position & orientate the Elevate pole in the location of final install.



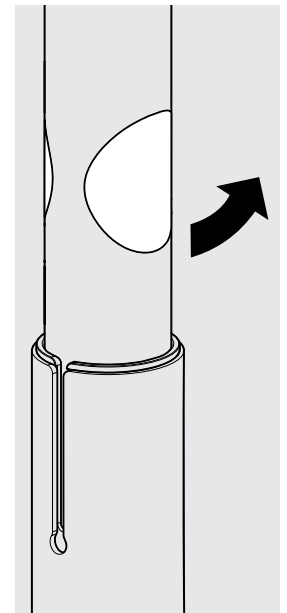
**2** Mark the drill hole locations on the mounting surface.



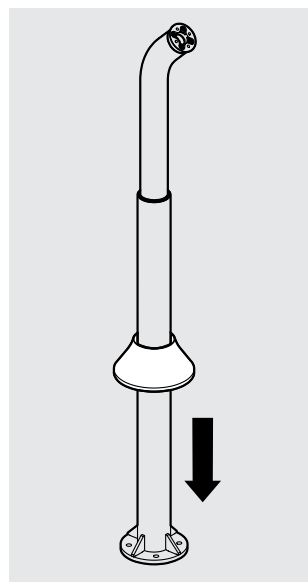
**3** Drill all four fixing holes into the mounting surface.



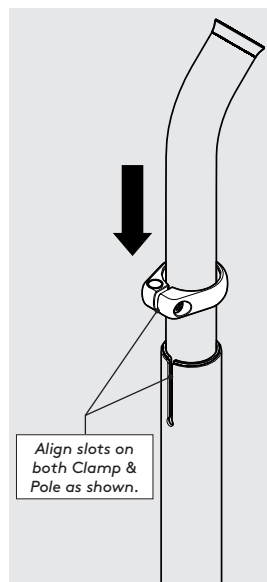
**4** Loosen & remove the Clamp.



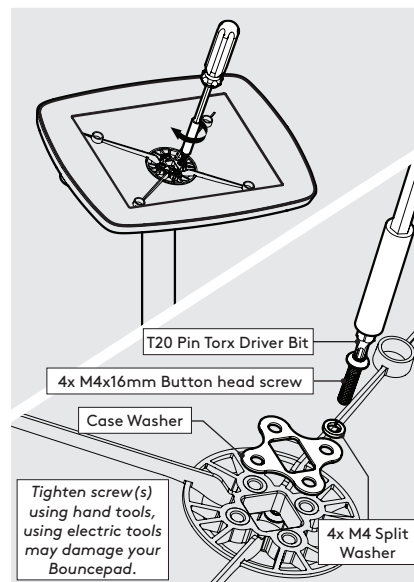
**5** Peel Protective Stickers off the Elevate Pole.



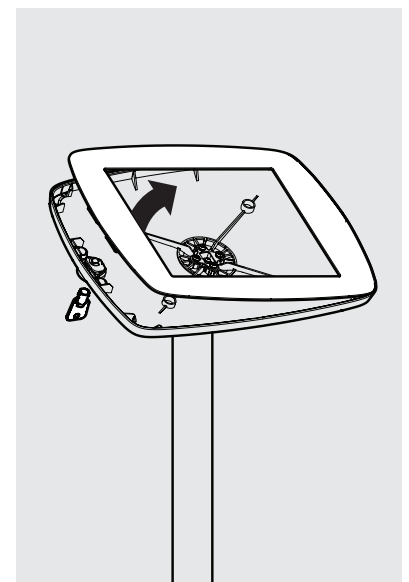
**6** Locate the Cover over the Elevate Pole.



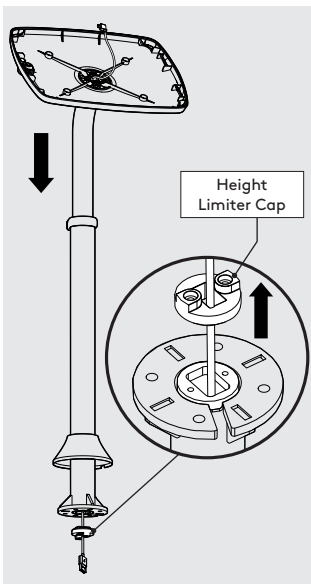
**7** Reattach the Clamp without tightening.



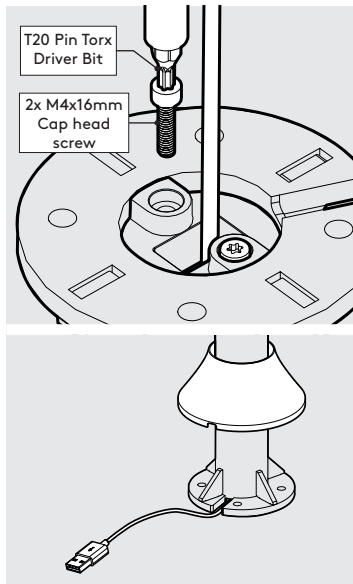
**8** Locate & secure the Case onto the Elevate Pole as shown. Tighten by hand.



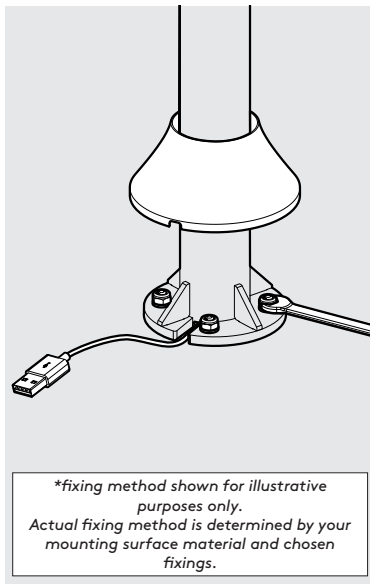
**9** Unlock & remove the Faceplate from the Bouncepad Case.



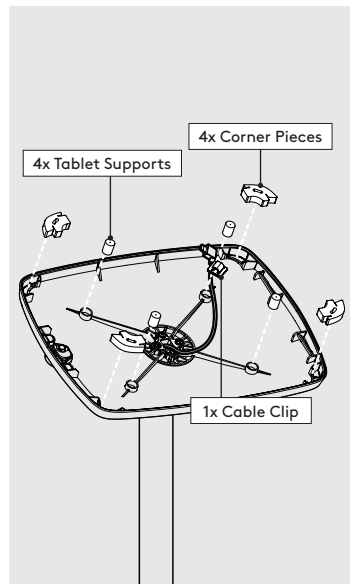
**10** Feed the Power Cable through the Case, Elevate Pole & Height Limiter Cap.



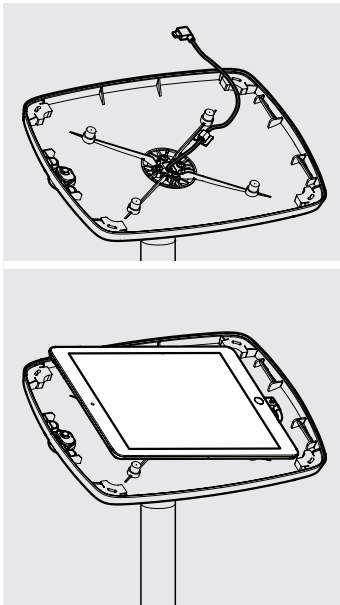
**11** Attach the Height Limiter Cap to the Elevate Pole. Feed the Cable through the slot .



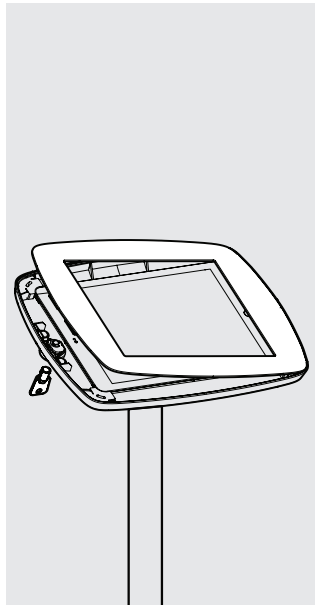
**12** Secure the Elevate Pole to the mounting surface, using your chosen fixing method.



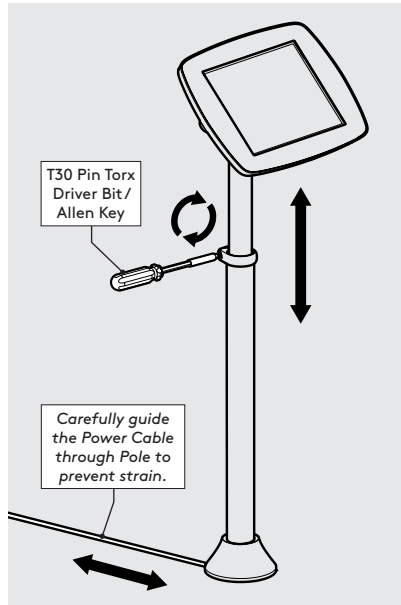
**13** Install the Tablet Setup Kit. Each kit is specific per device & case.



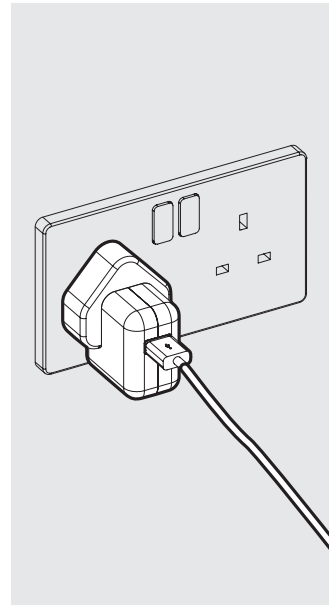
**14** Install the Tablet into the Case & connect to Power Cable.



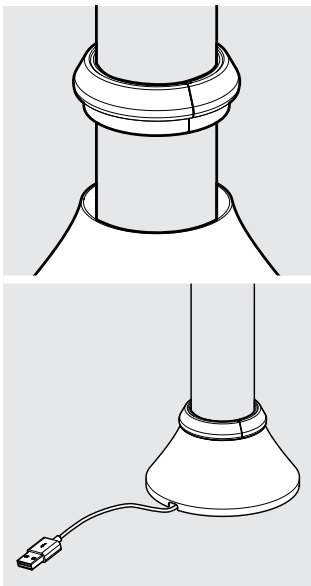
**15** Locate & lock the Faceplate to the Case.



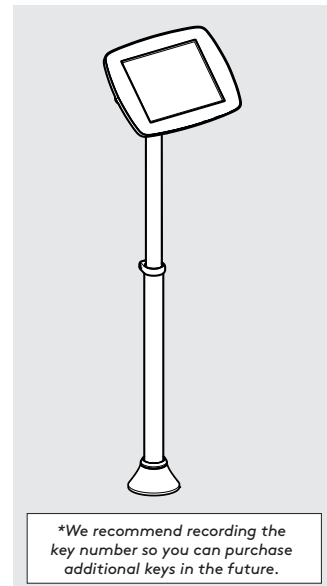
**16** Adjust the Elevate Pole to your desired height & tighten the Clamp.



**17** Connect the Power Cable to its mains power source.



**18** With the Cover on the ground, locate & fit the Rubber Collar.



**19** Installation is now complete.