

Core Elevate Slim

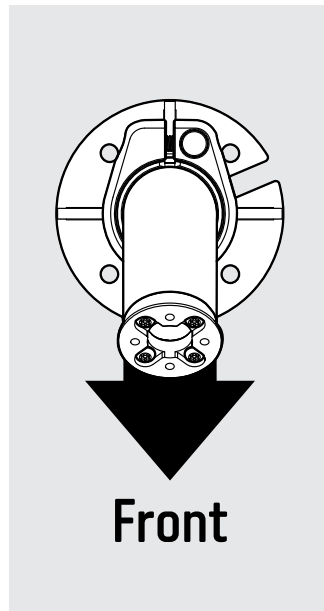
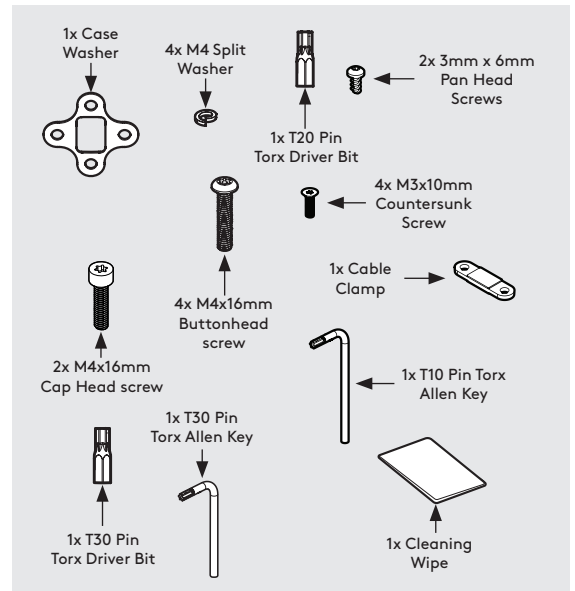
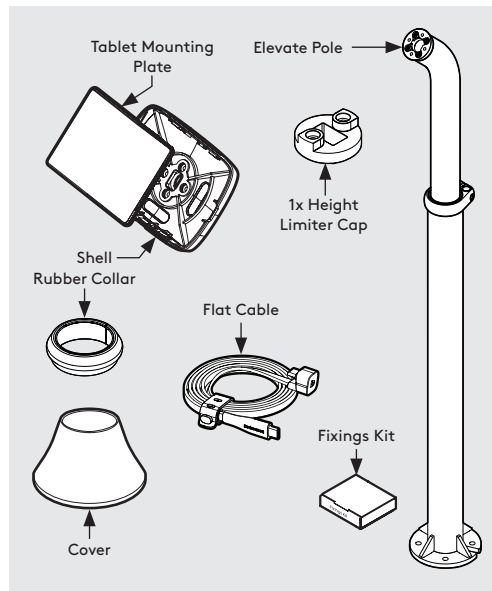
Assembly Instructions

Tools Required:

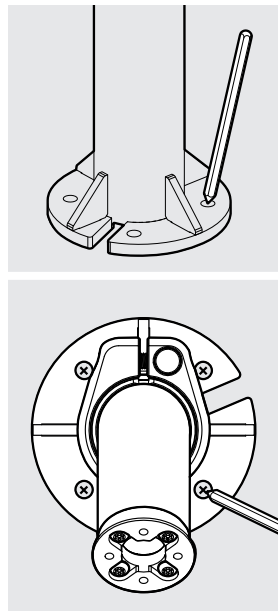
- Pencil
- Socket Driver
- Drill **or adjustable spanner*
- Drillbit **Please note that the drillbit size & type will be determined by your chosen fixing method and material of the mounting surface. Ensure you have access to the appropriate tools to secure the floorstanding to your mounting surface. *Bouncepad does not provide these fixings.*

Sheet Code: BP-IM-115_REV0
Release Date: 19/02/2025

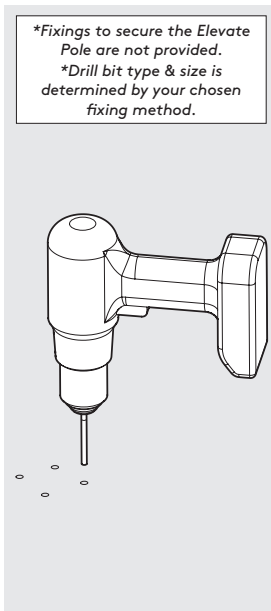
Copyright 2025 SpotSpot Ltd. (T/A Bouncepad) all rights reserved. Confidential, no part of this publication may be reproduced or transmitted in any form without the written permission of the copyright holder.



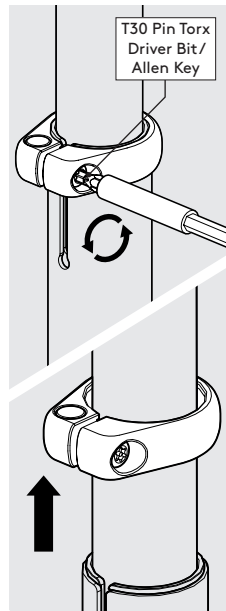
1 Position & orientate the Elevate pole in the location of final install.



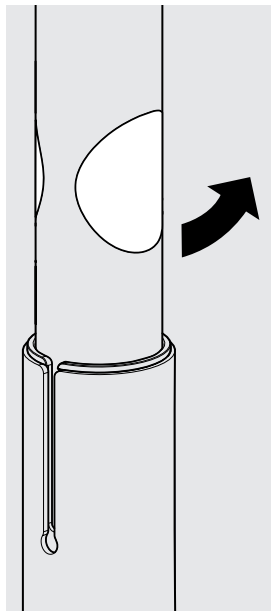
2 Mark the drill hole locations on the mounting surface.



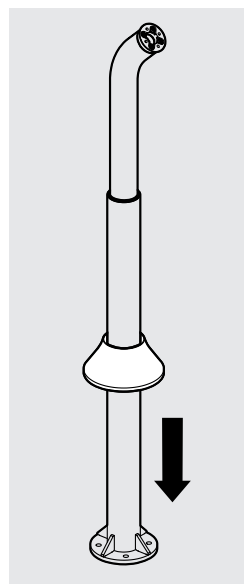
3 Drill all four fixing holes into the mounting surface.



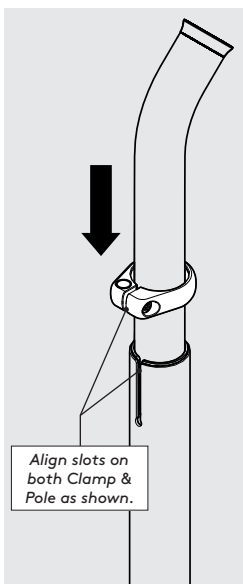
4 Loosen & remove the Clamp.



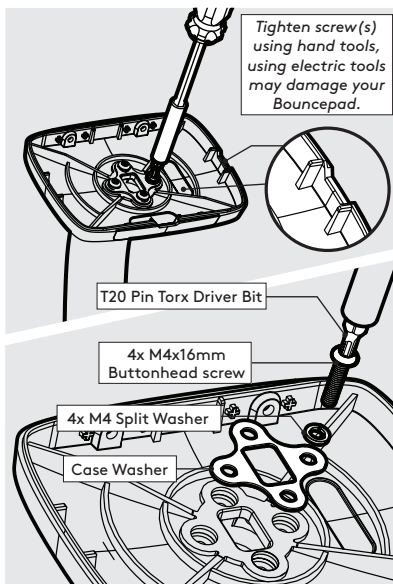
5 Peel Protective Stickers off the Elevate Pole.



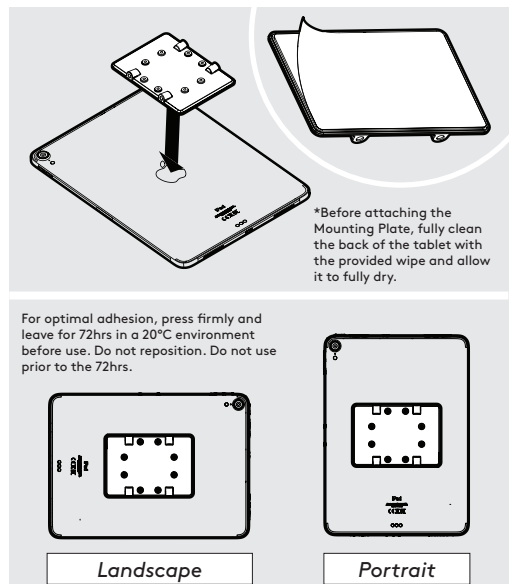
6 Locate the Cover over the Elevate Pole.



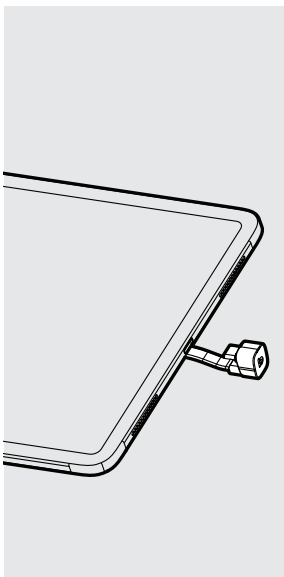
7 Reattach the Clamp without tightening.



8 Locate & attach the Shell to the Elevate Pole in the correct orientation.

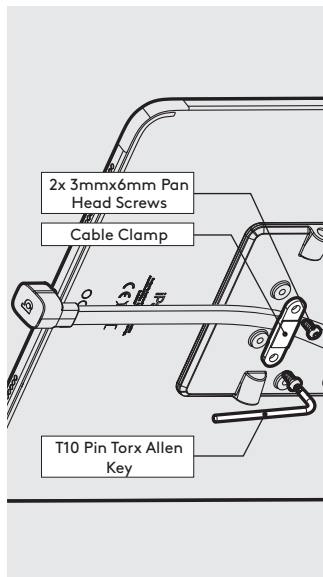


9 Remove the Mounting Plate adhesive backing. Attach level & centrally to the Tablet back as shown.



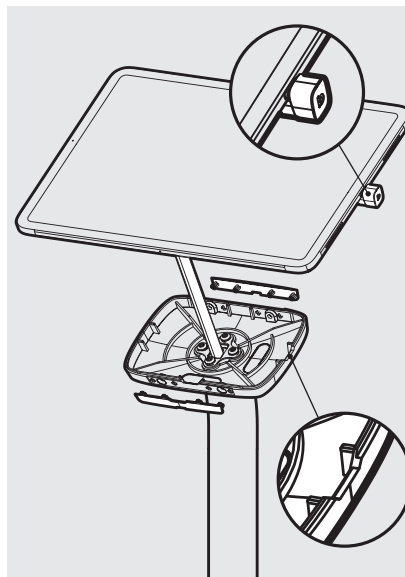
10

Attach the Flat Cable to the Tablet with the U-Bend Head.



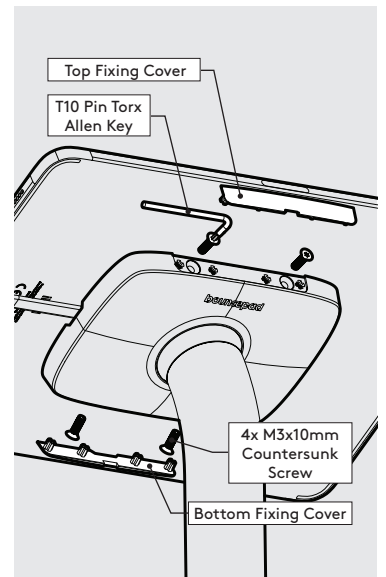
11

Secure the Flat Cable to the Mounting Plate with the Cable Clamp as shown.



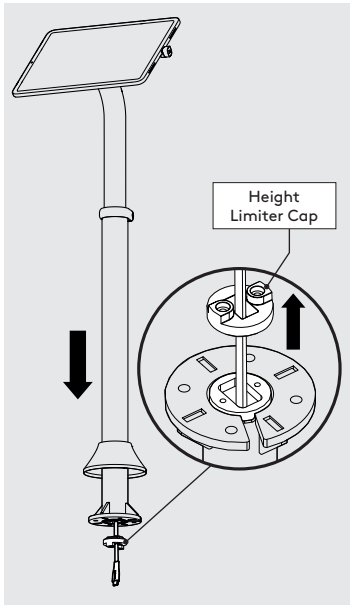
12

Remove Fixing Covers. Feed the Flat Cable through the Shell & into the Elevate Pole. Locate the Tablet in the chosen orientation.



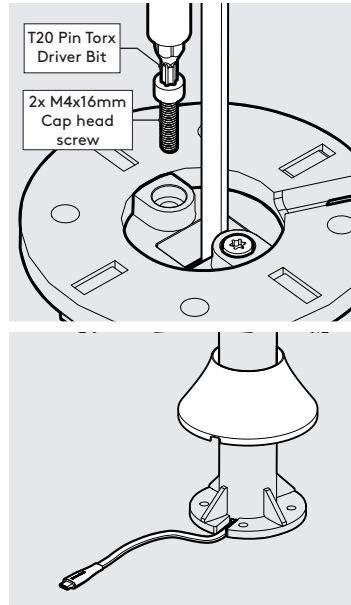
13

Secure the Tablet to the Shell & attach the Fixing Covers as shown.



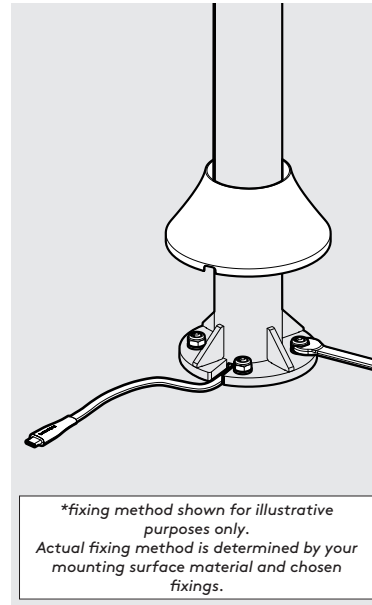
14

Feed the Power Cable through the Elevate Pole & Height Limiter Cap.



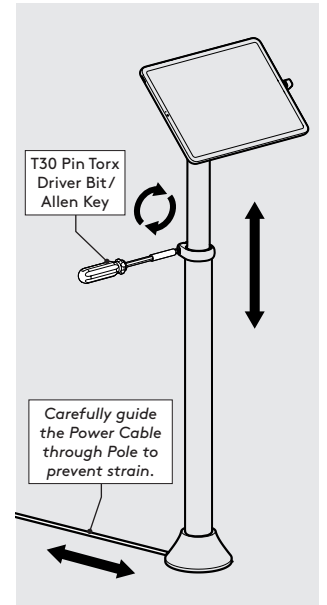
15

Attach the Height Limiter Cap to the Elevate Pole. Feed the Cable through the slot.



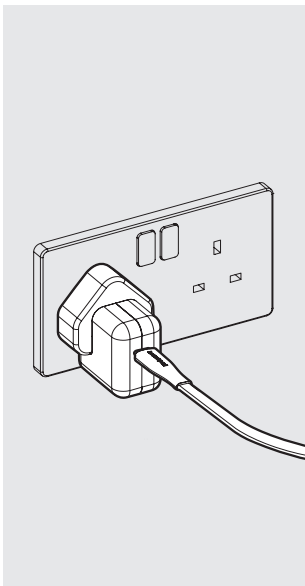
16

Secure the Elevate Pole to the mounting surface, using your chosen fixing method.



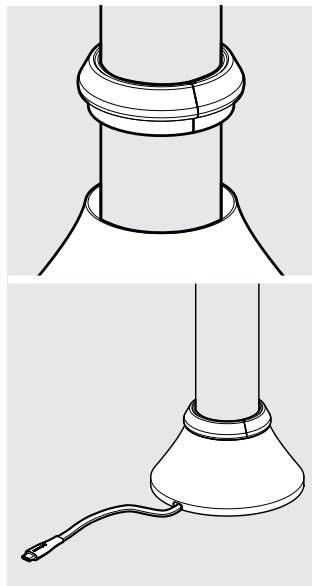
17

Adjust the Elevate Pole to your desired height & tighten the Clamp.



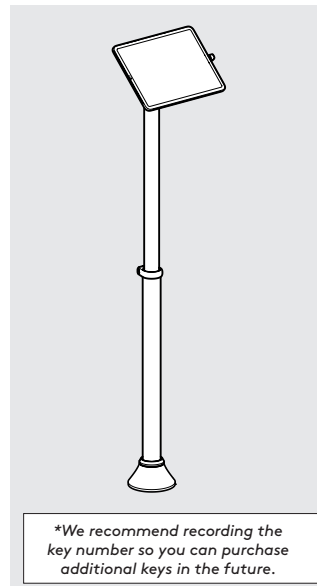
18

Connect the Power Cable to its mains power source.



19

With the Cover on the ground, locate & fit the Rubber Collar.



20

Installation is now complete.

**We recommend recording the key number so you can purchase additional keys in the future.*