

PRODUCT DATA SHEET - CORE ELEVATE + PRINTER MOUNT

bouncepad®

Tablet attachment: Core
Arm: Elevate
Mounting: Not Applicable
Packaged weight: 14.44kg
Colour: White, Black

Maximum Height (Centre of Screen): Metric 1110mm Imperial 43 11/16"

Minimum Height (Centre of Screen): Metric 790mm Imperial 31 1/8"

Tablet (iPad 10th gen)

Metric 261mm Imperial 10 1/4"

Metric 363mm Imperial 14 5/16"

45°

Brother Label Printer QL-820WNB (not included)

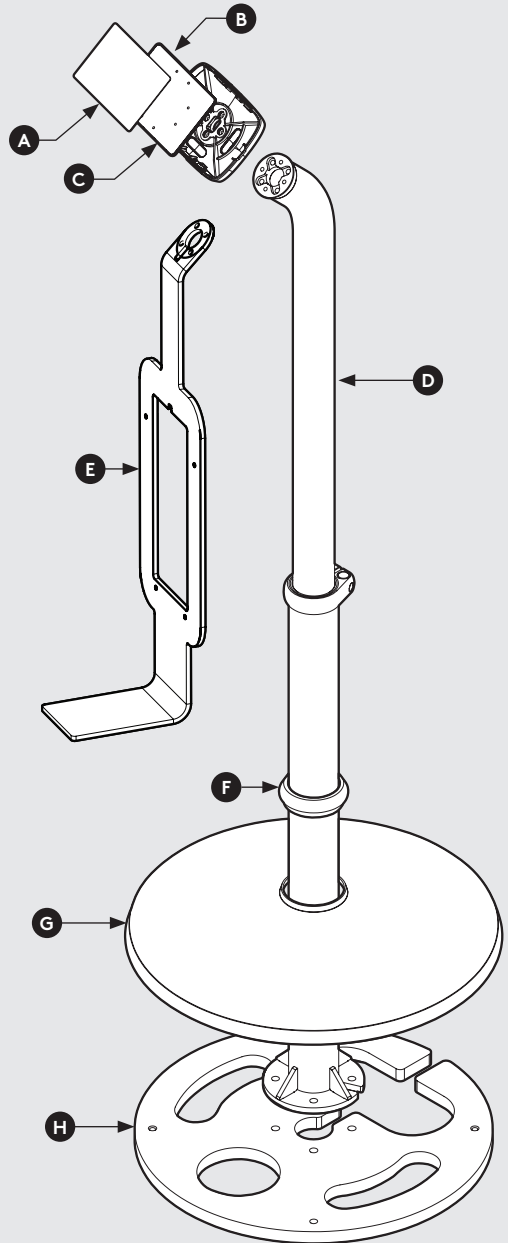
Minimum Height (Tablet) Metric 721mm Imperial 28 3/8"

Maximum Height (Tablet) Metric 1179mm Imperial 46 7/16"

Metric 316mm Imperial 12 7/16"

Kensington Microsaver cable (not included)

Parts in the Box



- A** Adhesive Pad
3M VHB Adhesive
- B** Mounting Plate
Glass Filled Nylon
- C** Shell
PC/ABS Plastic
- D** Elevate Pole
Powder coated Mild Steel
Powder coated Stainless Steel
Aluminium
Nylon
- E** Printer Mount
Powder coated Mild Steel
- F** Elevate Collar
Silicone Rubber
- G** Cover
PC/ABS Plastic
- H** Base
Powder coated Mild Steel

