

## Core Elevate + Brother Printer Mount

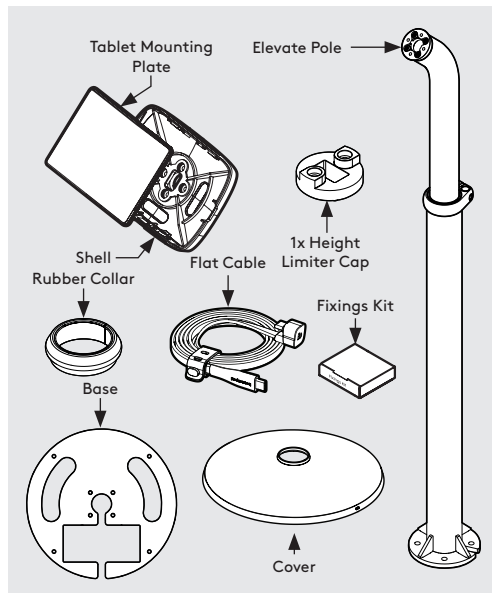
### Assembly Instructions

#### Tools Required:

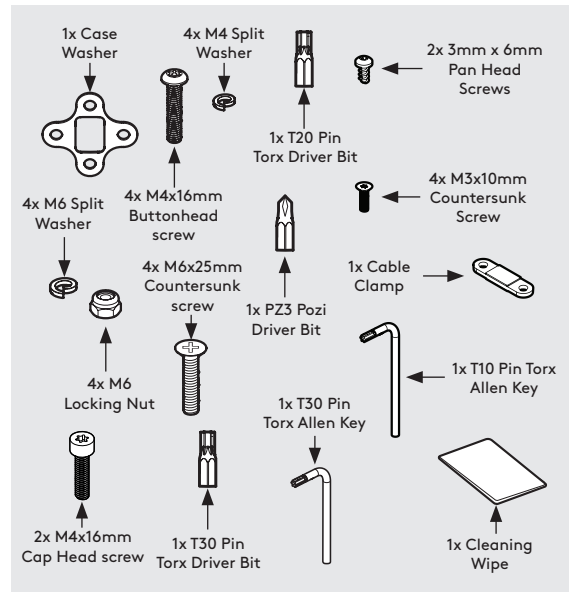
- Socket Driver
- 10mm Spanner *\*or adjustable spanner*

Sheet Code: BP-IM-116\_REV0  
Release Date: 21/02/2025

Copyright 2025 SpotSpot Ltd. (T/A Bouncepad) all rights reserved. Confidential, no part of this publication may be reproduced or transmitted in any form without the written permission of the copyright holder.

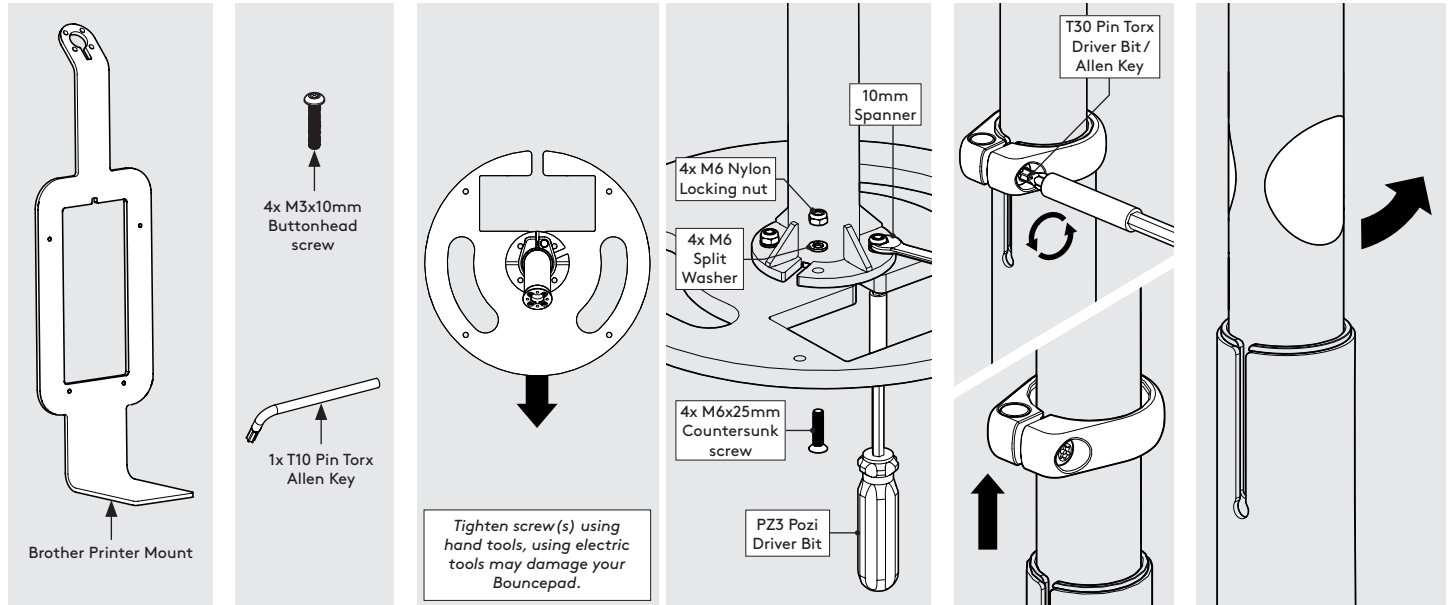


In the Box (Elevate)



Fixings List (Elevate)

*\* Due to the modular nature of our product range you may receive additional fixings in the fixings kit*



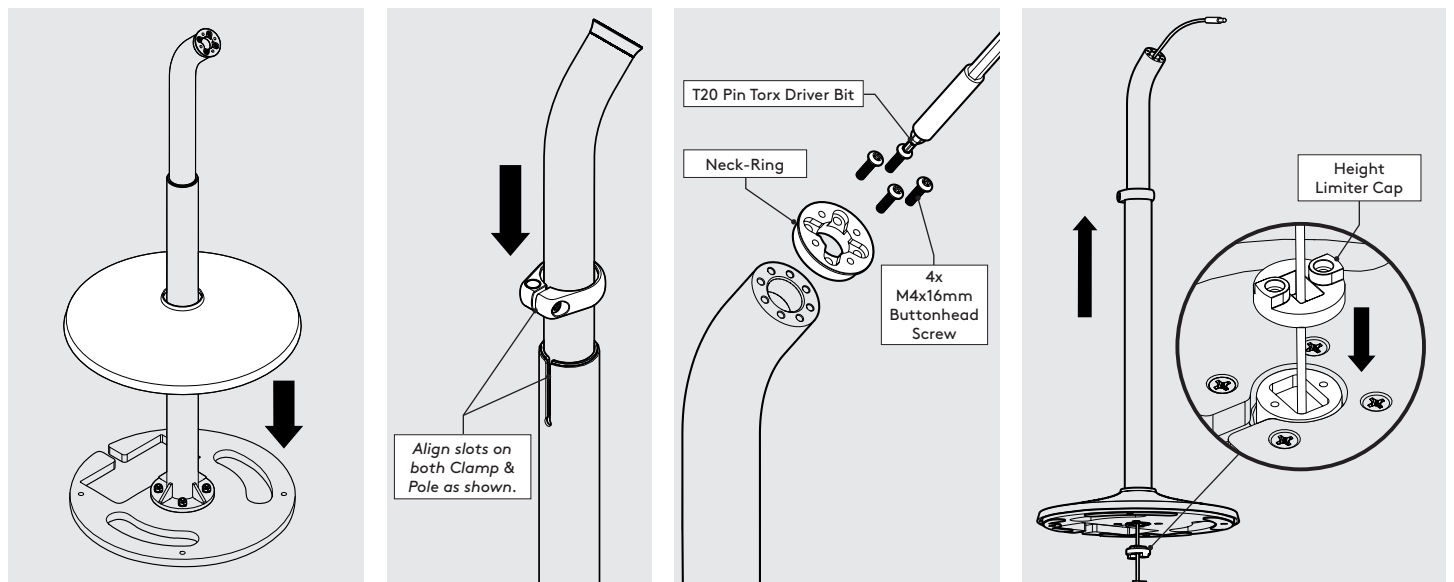
In the Box (Printer Mount)

Fixings List (Printer Mount)

**1** Orientate, locate & secure the Elevate Pole to the Base as shown. Ensure that all fixings are installed correctly.

**2** Loosen & remove the Clamp.

**3** Peel Protective Stickers off the Elevate Pole.

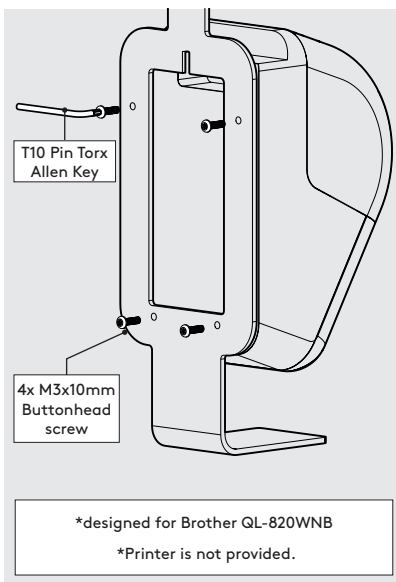


**4** Attach the Cover as Shown.

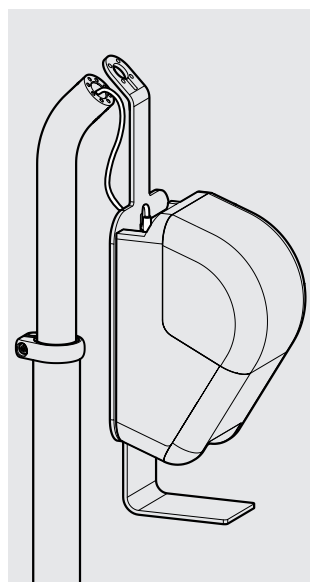
**5** Reattach the Clamp without tightening.

**6** Remove Neck-Ring using T20 driver bit & Socket Driver

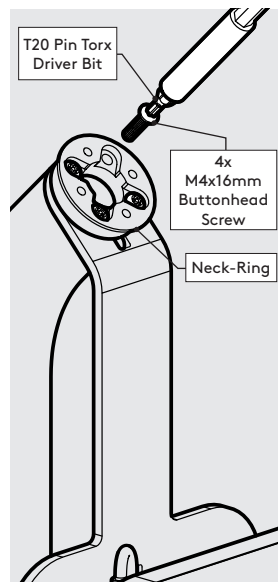
**7** Feed the printer's power cable through the Height Limiter Cap & the Elevate Pole.



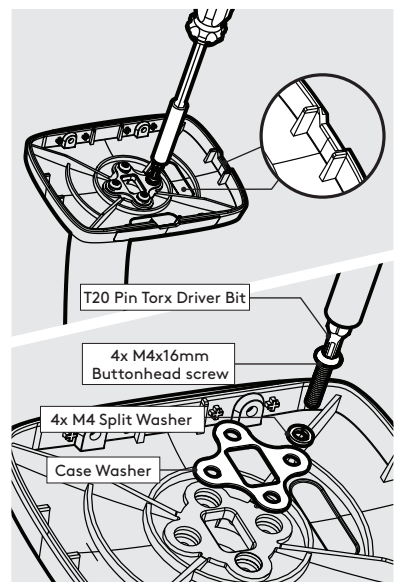
**8** Attach the printer to the Printer Mount using M3x10mm Screws



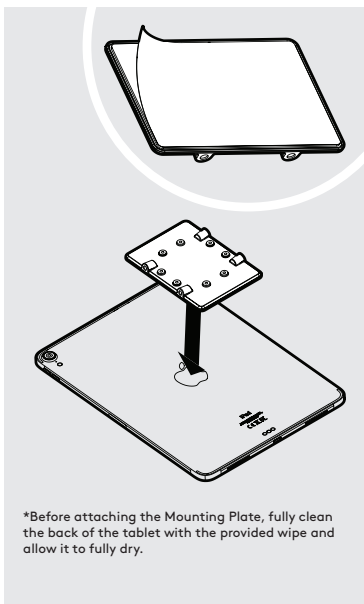
**9** Feed power cable through Printer Mount & plug into Printer



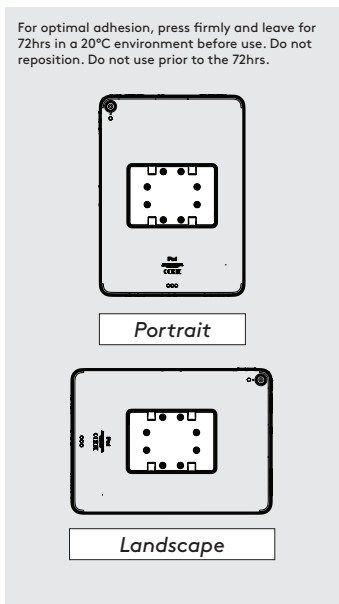
**10** Re-attach Neck-Ring using the same fixings.



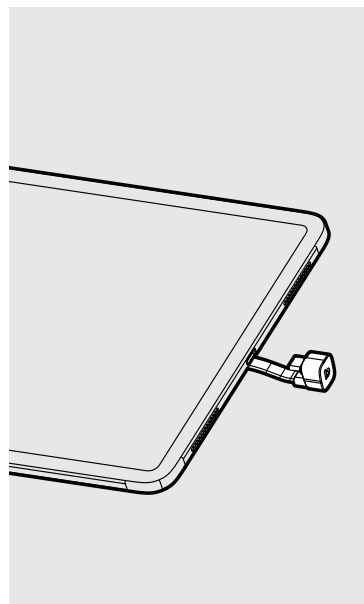
**11** Locate & attach the Shell to the Elevate Pole in the correct orientation.



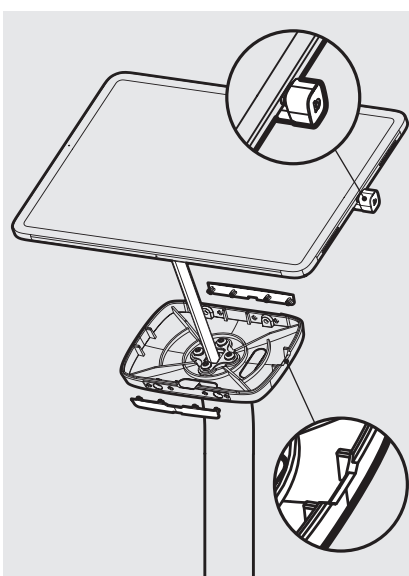
**12** Remove the Mounting Plate adhesive backing. Attach level & centrally to the Tablet back as shown.



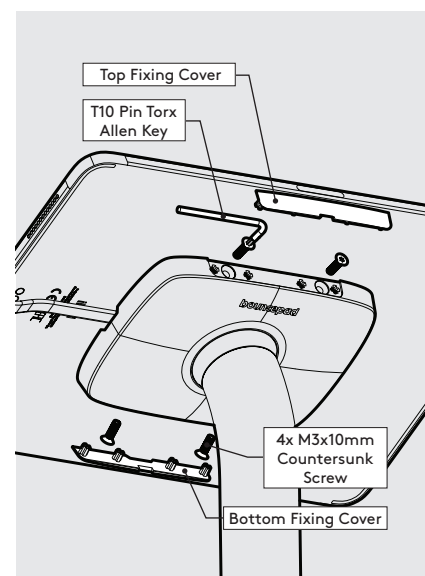
**13** Attach the Flat Cable to the Tablet with the U-Bend Head.



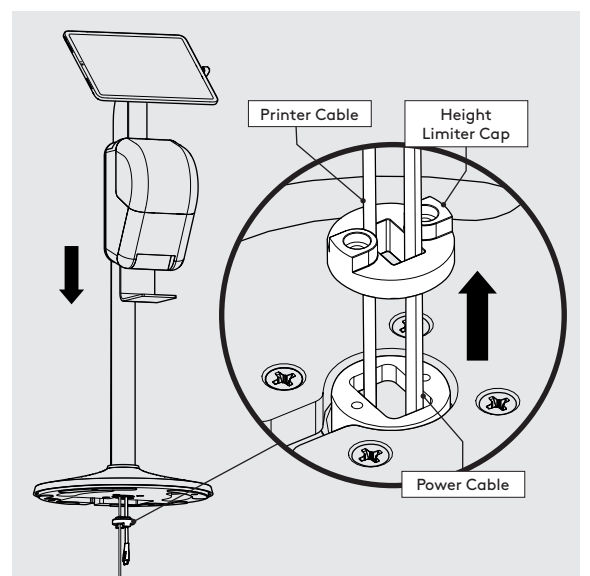
**14** Secure the Flat Cable to the Mounting Plate with the Cable Clamp as shown.



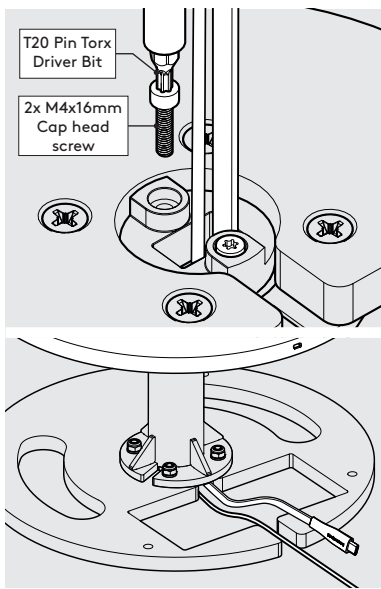
**15** Remove Fixing Covers. Feed the Flat Cable through the Shell & into the Elevate Pole. Locate the Tablet in the chosen orientation.



**16** Secure the Tablet to the Shell & attach the Fixing Covers as shown.

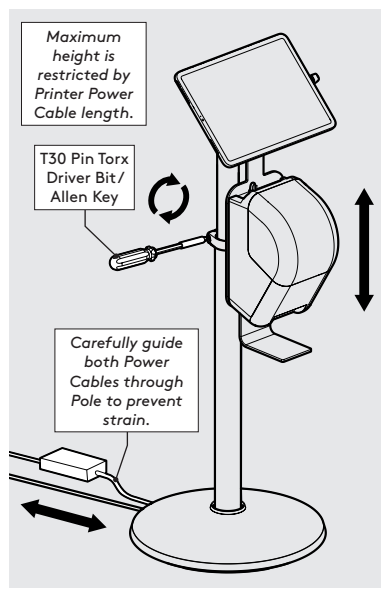


**17** Feed the Power Cable through the Case, Elevate Pole & Height Limiter Cap.



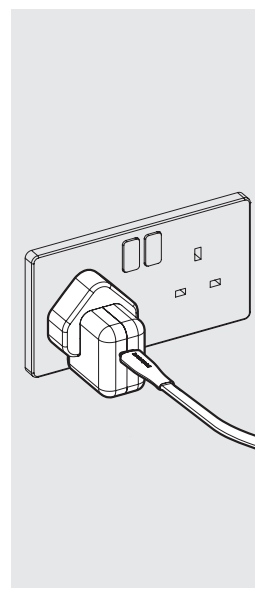
18

Attach the Height Limiter Cap to the Elevate Pole. Feed both Cables through the Base



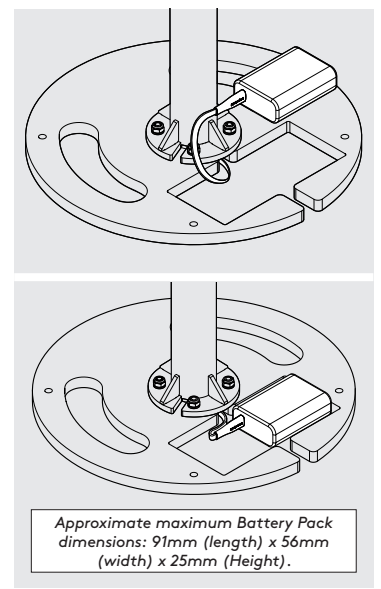
19

Adjust the Elevate Pole to your desired height & tighten the Clamp.



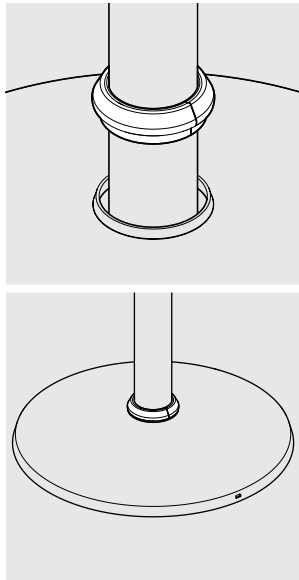
20.1

Connect the Power Cable to its mains power source.



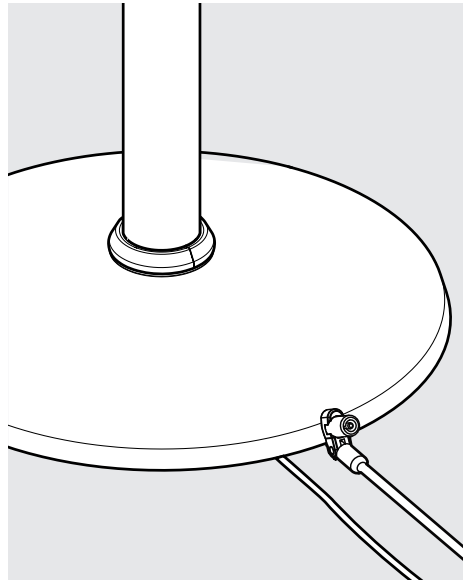
20.2

If installing a Battery Pack, connect the Power Cable & locate into the Base.



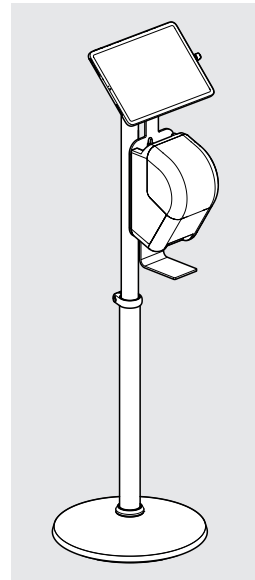
21

With the Cover on the ground, locate & fit the Rubber Collar.



22

Use a Kensington® Microsaver product to tether to a secure object. (refer to your Kensington® instructions for full details)



23

Installation is now complete.