

Core Elevate

Assembly Instructions

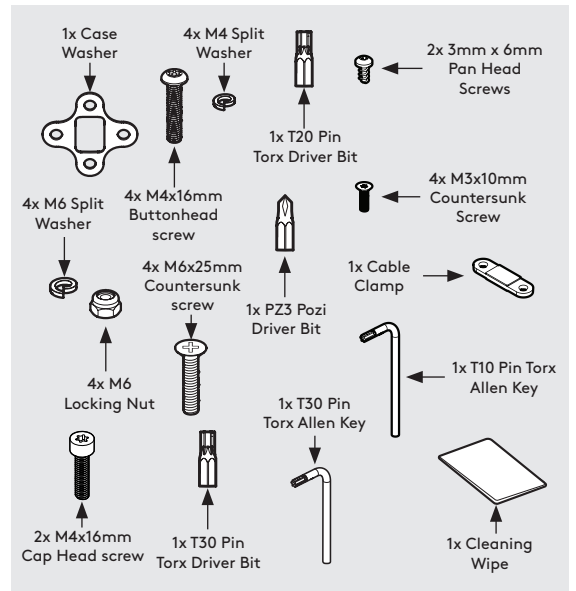
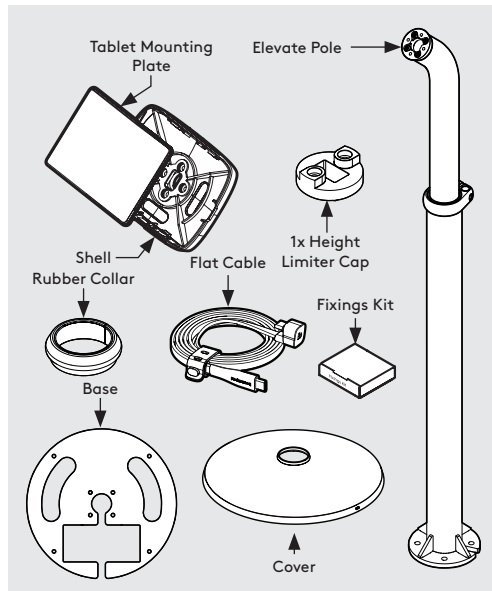
Tools Required:

- Socket Driver
- 10mm Spanner **or adjustable spanner*

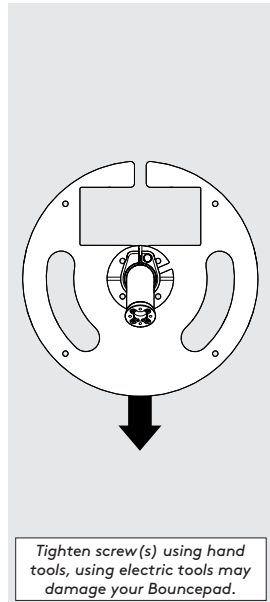
Sheet Code: BP-IM-114_REV0

Release Date: 14/02/2025

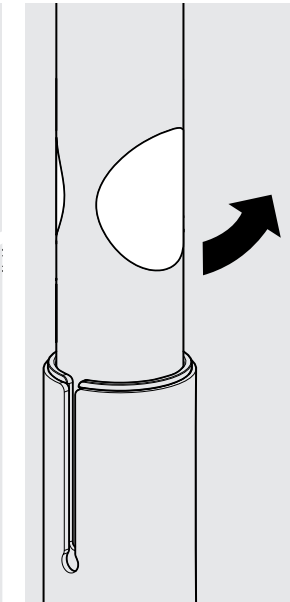
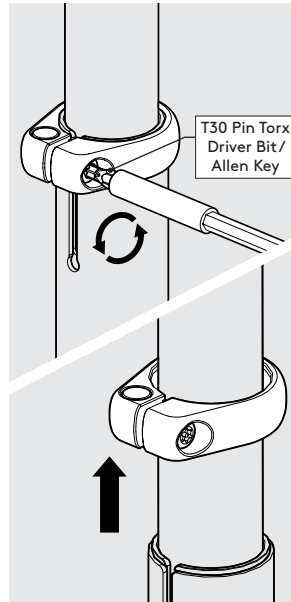
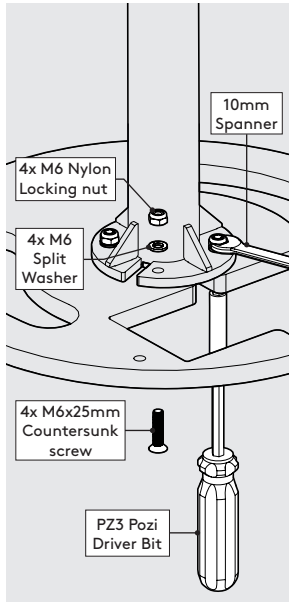
Copyright 2025 SpotSpot Ltd. (T/A Bouncepad) all rights reserved. Confidential, no part of this publication may be reproduced or transmitted in any form without the written permission of the copyright holder.



* Due to the modular nature of our product range you may receive additional fixings in the fixings kit



Tighten screw(s) using hand tools, using electric tools may damage your Bouncepad.

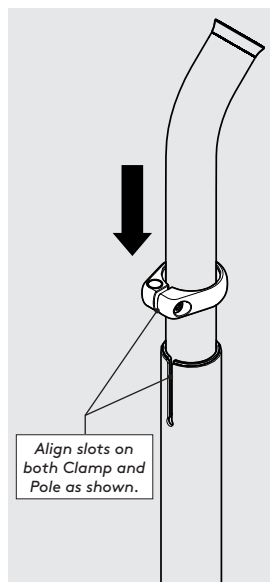


1 Orientate, locate & secure the Elevate Pole to the Base as shown. Ensure that all fixings are installed correctly.

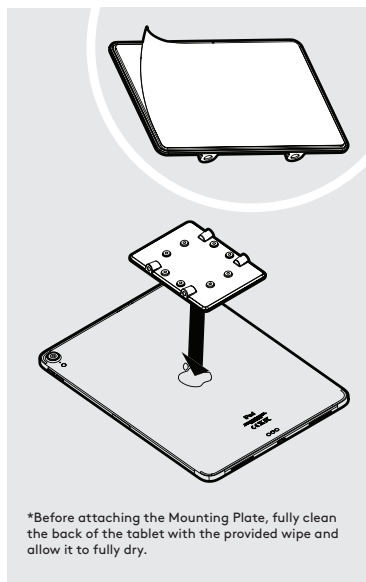
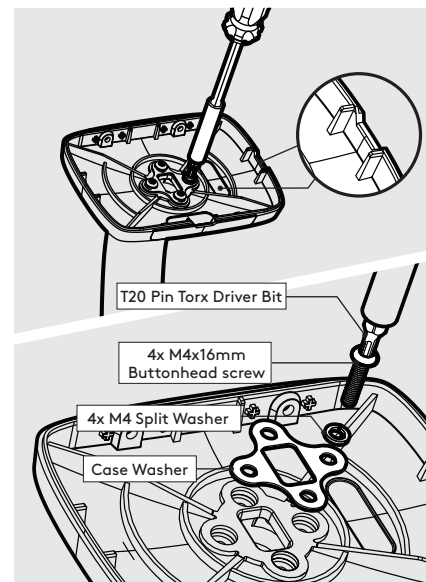
2 Loosen & remove the Clamp.

3 Peel the Protective Stickers off the Elevate Pole.

4 Attach the Cover as Shown.

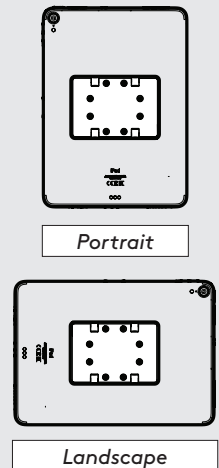


Align slots on both Clamp and Pole as shown.



*Before attaching the Mounting Plate, fully clean the back of the tablet with the provided wipe and allow it to fully dry.

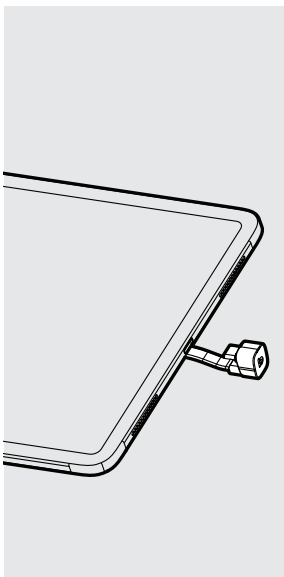
For optimal adhesion, press firmly and leave for 72hrs in a 20°C environment before use. Do not reposition. Do not use prior to the 72hrs.



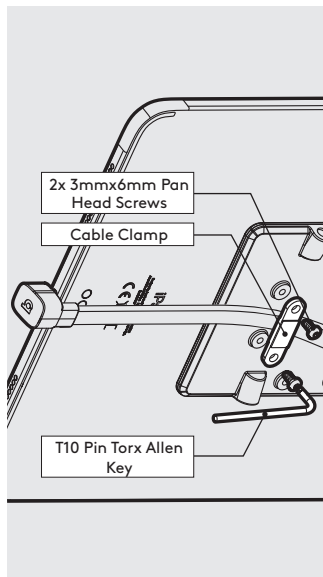
5 Reattach the Clamp without tightening.

6 Locate & attach the Shell to the Elevate Pole in the correct orientation.

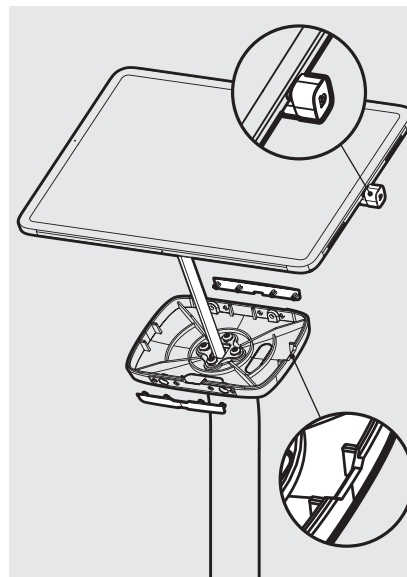
7 Remove the Mounting Plate adhesive backing. Attach level & centrally to the Tablet back as shown.



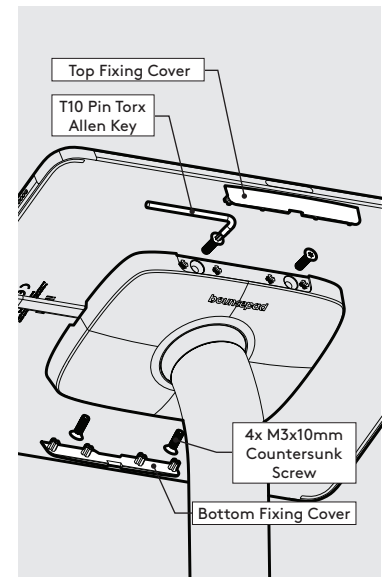
8 Attach the Flat Cable to the Tablet with the U-Bend Head.



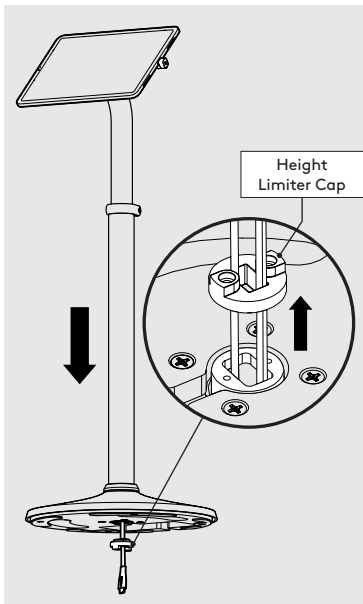
9 Secure the Flat Cable to the Mounting Plate with the Cable Clamp as shown.



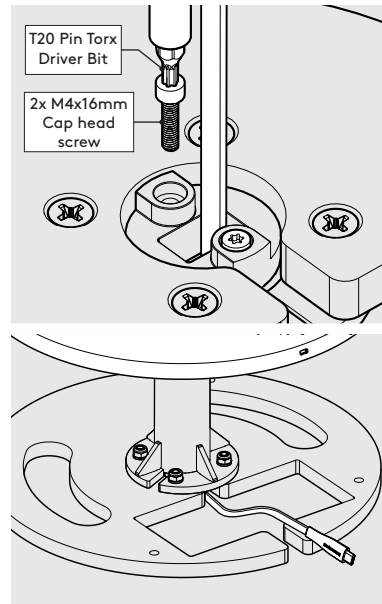
10 Remove Fixing Covers. Feed the Flat Cable through the Shell & into the Elevate Pole. Locate the Tablet in the chosen orientation.



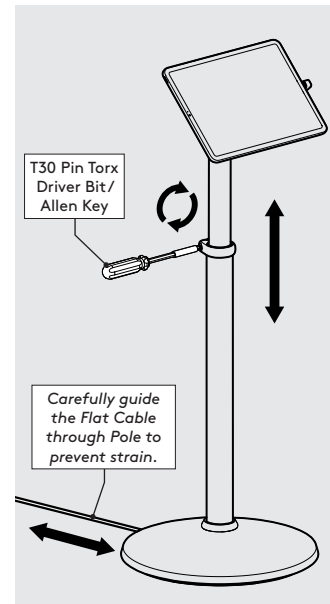
11 Secure the Tablet to the Shell & attach the Fixing Covers as shown.



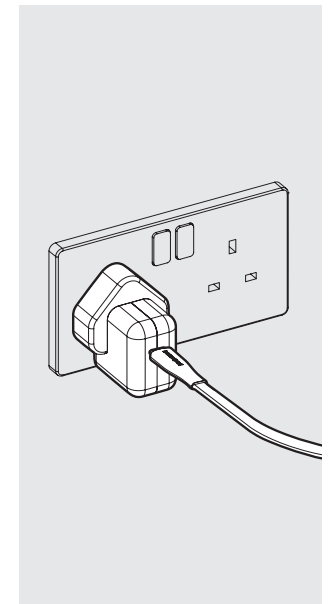
12 Feed the Power Cable through the Elevate Pole & Height Limiter Cap.



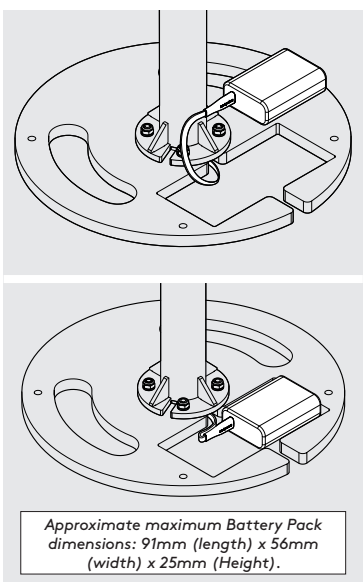
13 Attach the Height Limiter Cap to the Elevate Pole. Feed the Cable through the Base



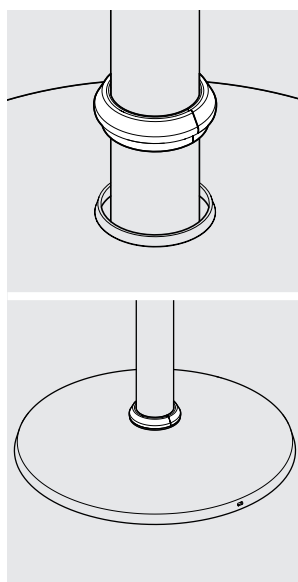
14 Adjust the Elevate Pole to your desired height & tighten the Clamp.



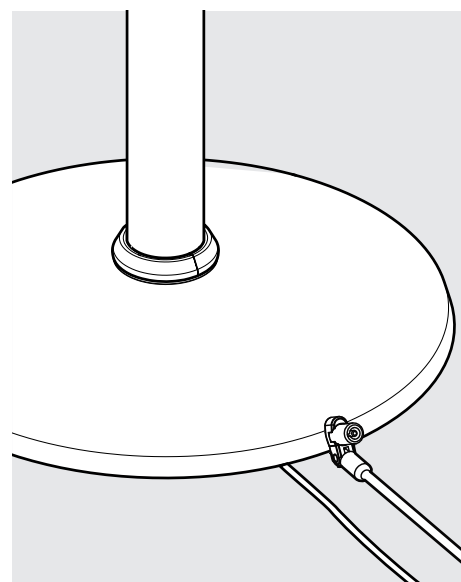
15.1 Connect the Power Cable to its mains power source.



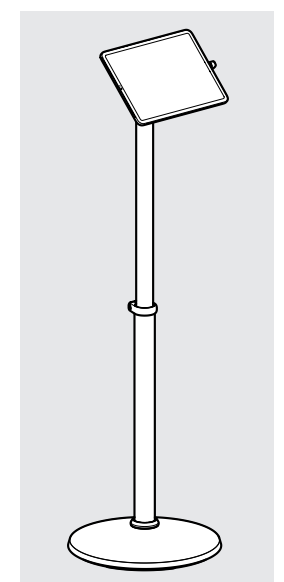
15.2 If installing a Battery Pack, connect the Power Cable & locate into the Base.



16 With the Cover on the ground, locate & fit the Rubber Collar.



17 Use a Kensington® Microsaver product to tether to a secure object. (refer to your Kensington® instructions for full details)



18 Installation is now complete.

Approximate maximum Battery Pack dimensions: 91mm (length) x 56mm (width) x 25mm (Height).