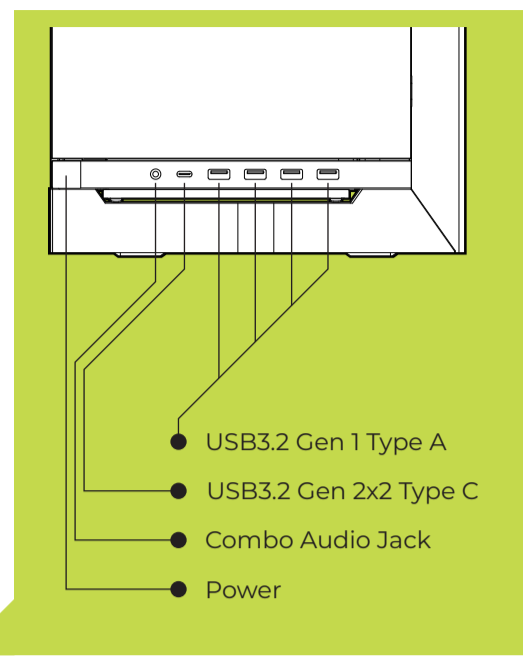
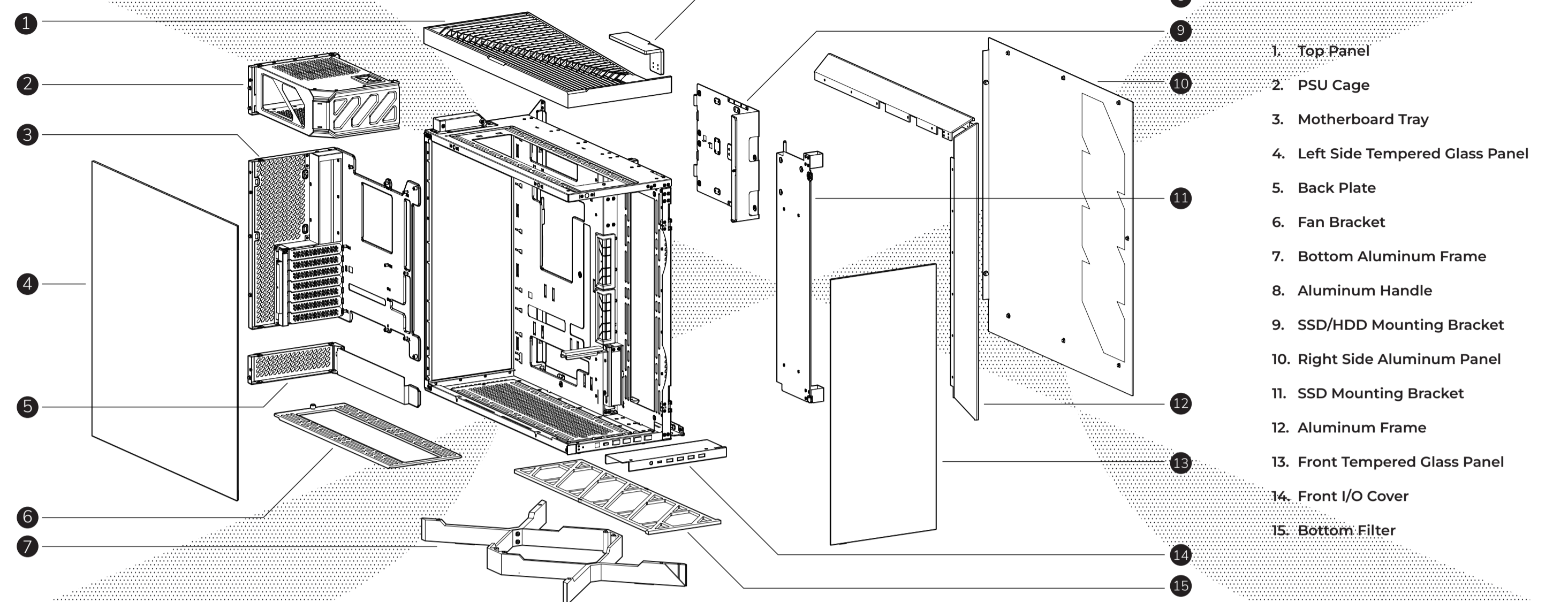


User Manual
LUCA



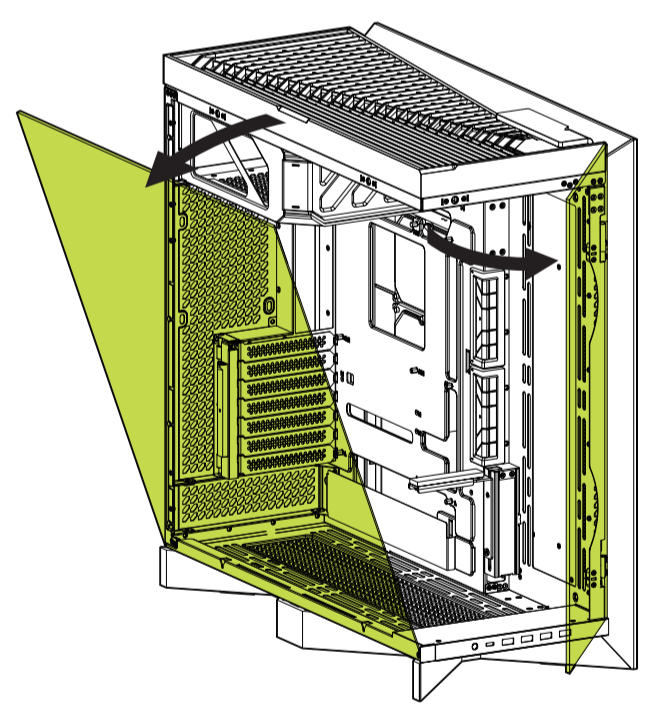
ACCESSORY BOX

- A 1x Motherboard Standoff Tool
- B 4 x Screws for Aluminum Base (Spare Parts)
- C 4 x Screws for Aluminum Handle (Spare Parts)
- E 20 x Motherboard / 3.5" Drive Screws
- D 36 x 2.5" Drive Screws
- F 3 x Motherboard Standoff Bolts
- G 1 x PSU Cover
- H 10 x Cable Ties
- I 3 x Velcro Ties

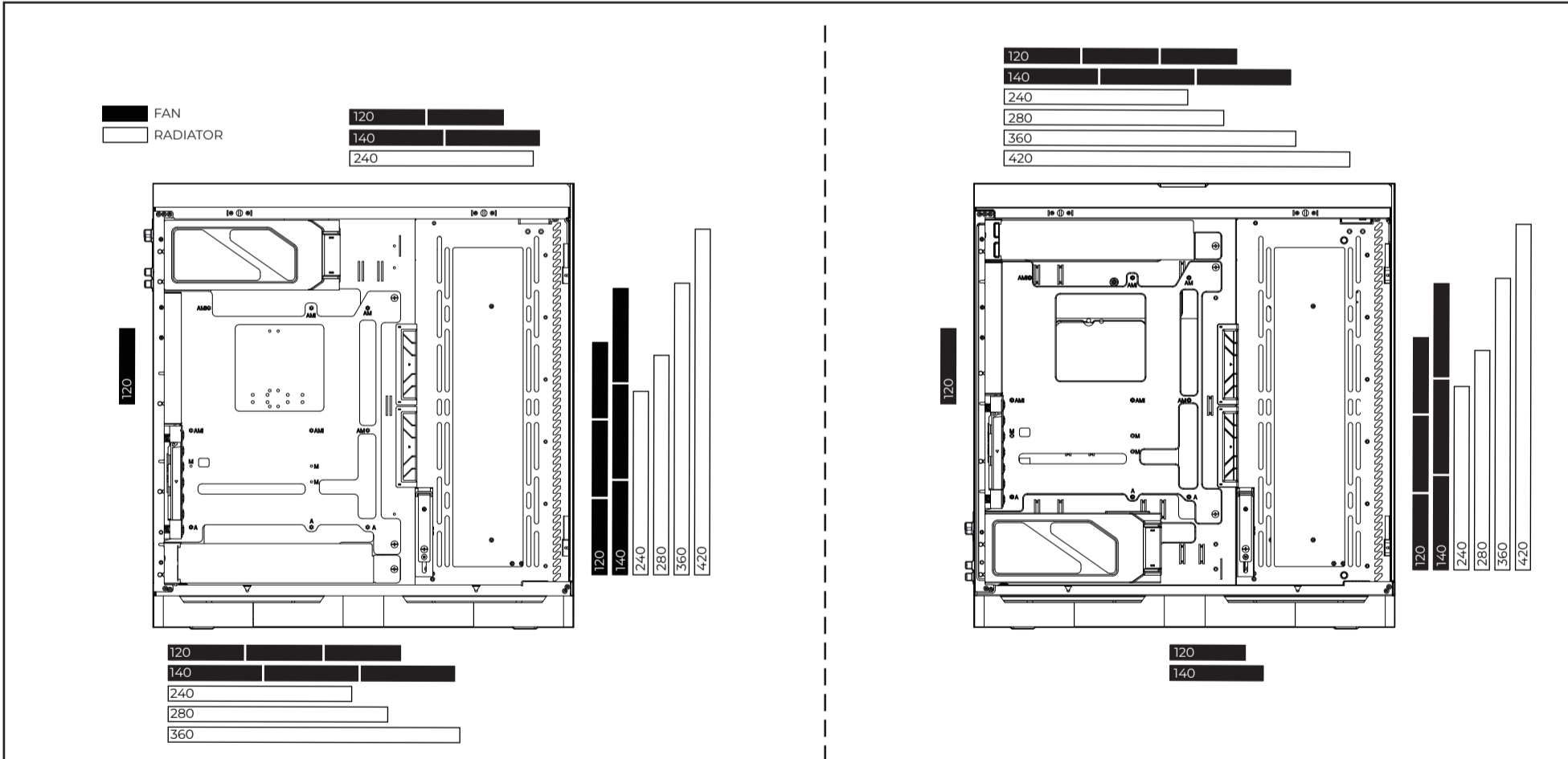
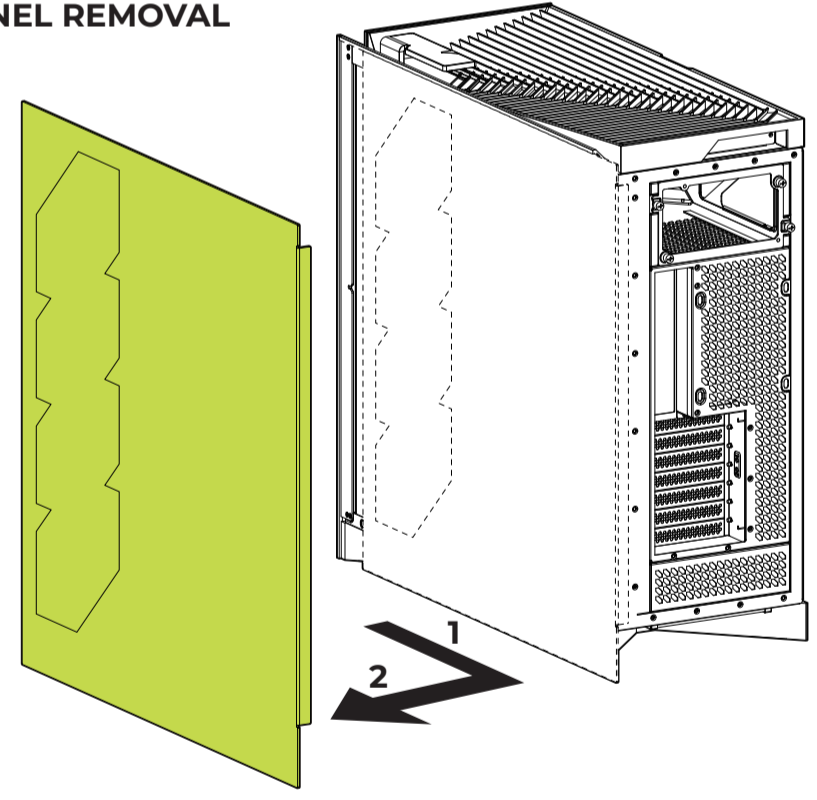


1. Top Panel
2. PSU Cage
3. Motherboard Tray
4. Left Side Tempered Glass Panel
5. Back Plate
6. Fan Bracket
7. Bottom Aluminum Frame
8. Aluminum Handle
9. SSD/HDD Mounting Bracket
10. Right Side Aluminum Panel
11. SSD Mounting Bracket
12. Aluminum Frame
13. Front Tempered Glass Panel
14. Front I/O Cover
15. Bottom Filter

GLASS PANEL REMOVAL

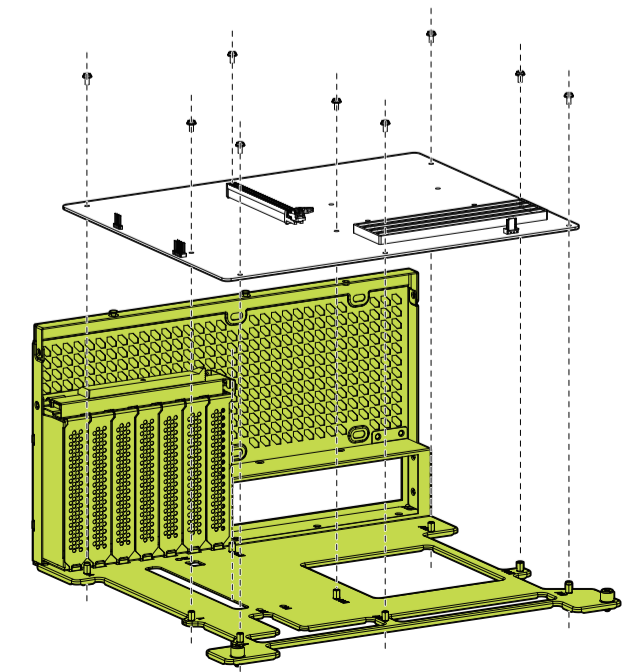


ALUMINUM PANEL REMOVAL

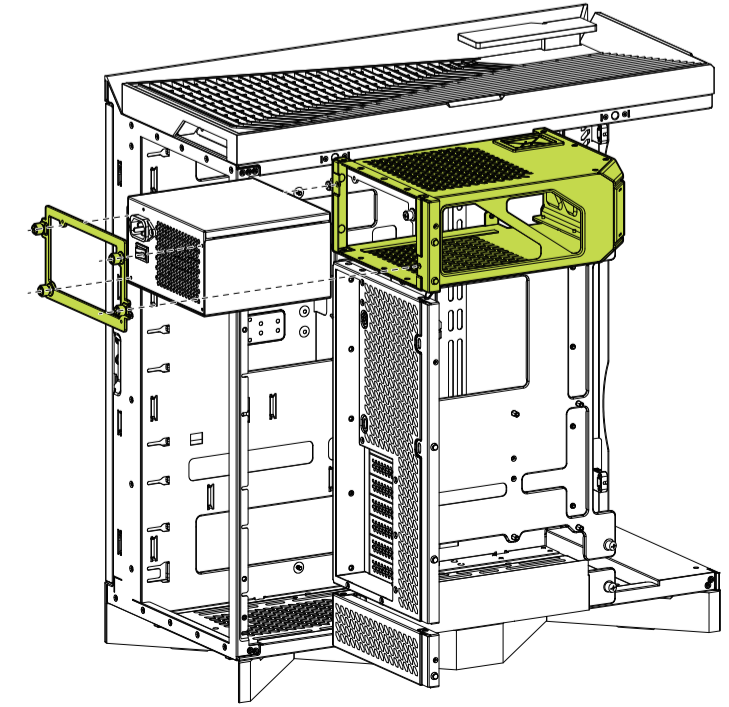


MODULAR INSTALLATION

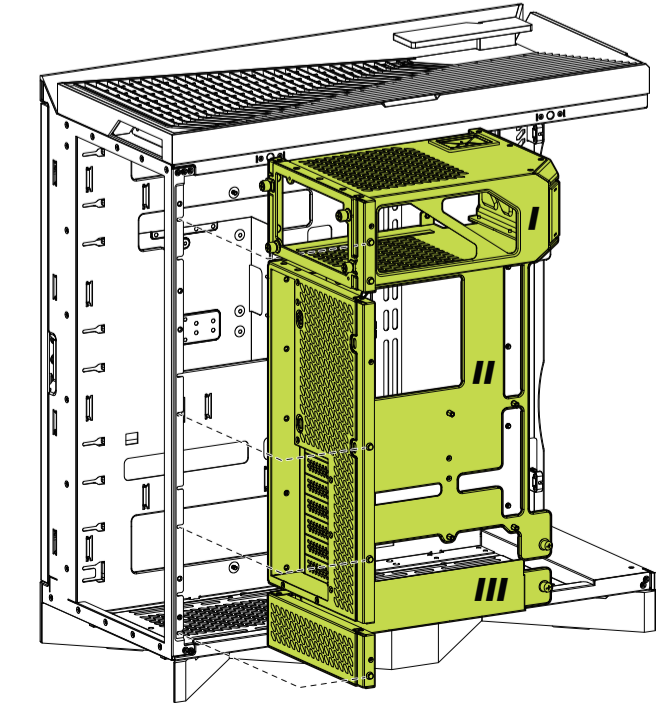
// MOTHERBOARD INSTALLATION



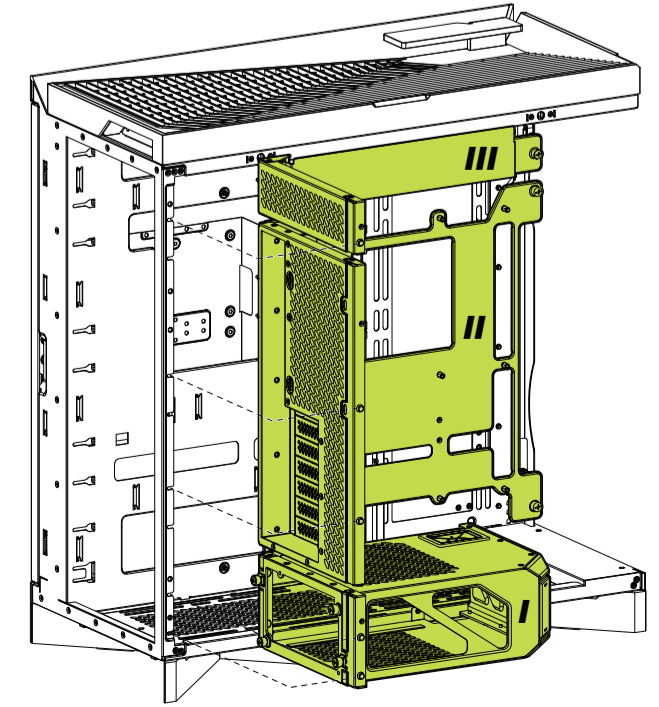
/ PSU INSTALLATION



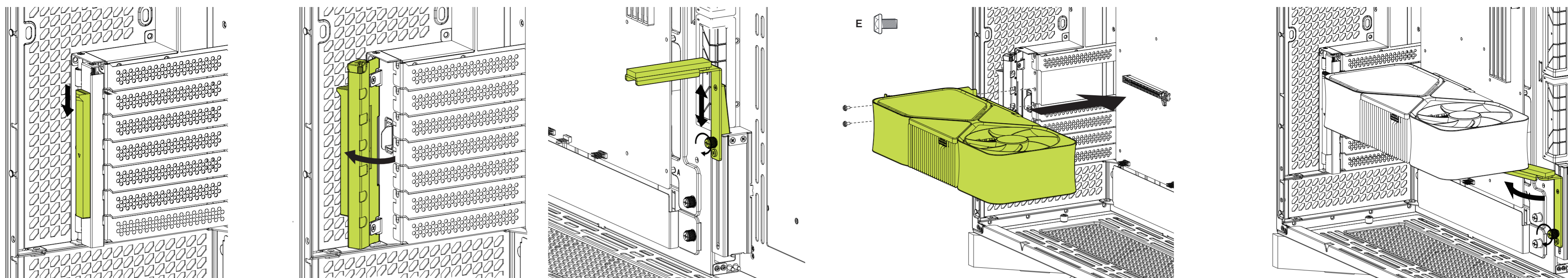
PSU UPPER INSTALLATION MODE



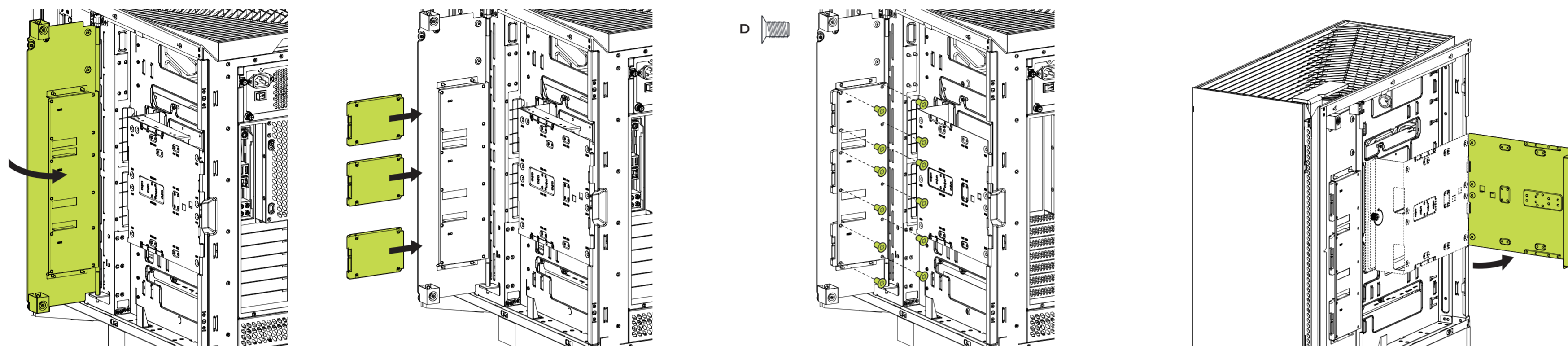
PSU LOWER INSTALLATION MODE



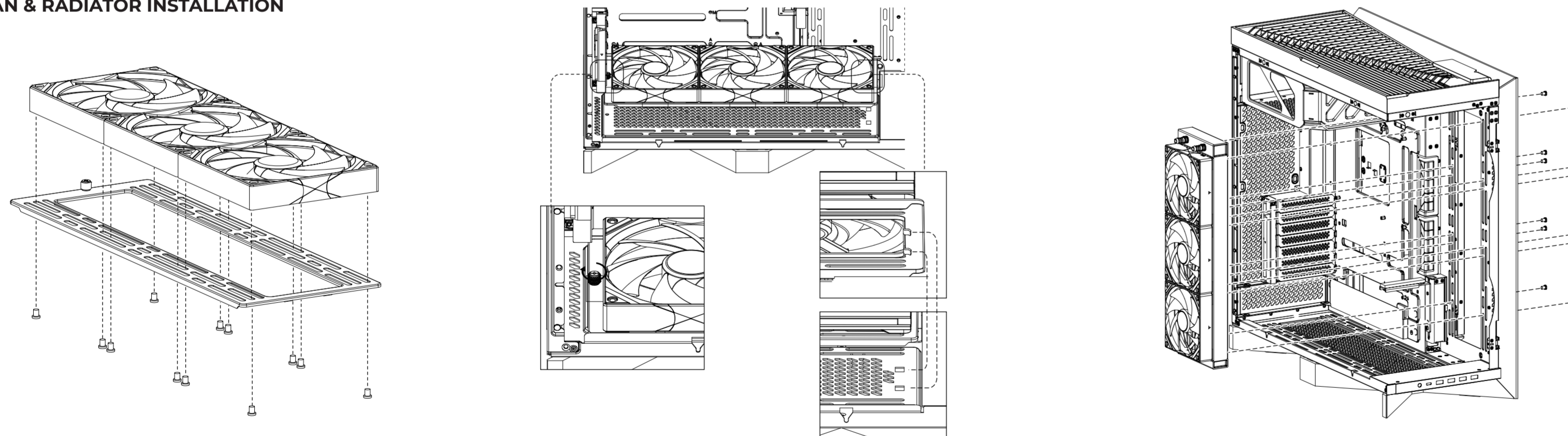
GRAPHIC CARD INSTALLATION



SSD / HDD DRIVE INSTALLATION



FAN & RADIATOR INSTALLATION



WARRANTY INFORMATION

TRYX products are covered by a warranty service that guarantees, from the date of purchase, a warranty against parts defects or damages due to manufacturing processes for a specified period. The warranty period varies by product; for details, please refer to your user documentation, product packaging, or the accompanying TRYX warranty period information. In cases of inconsistent warranty periods, the longer period will be considered. Consumers are entitled to the legal rights provided by applicable national laws and regulations on consumer goods sales. For products outside the scope defined by laws and regulations, TRYX's warranty policy will apply. Your TRYX product is covered under normal use, in accordance with product instructions and expected working environments, during the warranty period. Damage/failure caused by improper use or disassembly is not covered. The warranty does not cover damage caused by disassembly by the user or an engineer not recognized by TRYX, including but not limited to incorrect self-disassembly or installation.

This warranty does not cover issues or damage caused by, but not limited to, the following reasons:

- Exceeding Warranty Period: Issues with parts that are beyond the free warranty period.
- Non-Factory Configuration Failures: Failures or damages in products not in their original factory configuration.
- Unauthorized Software: Faults or damages caused by pirated or unlicensed software, non-standard, or unreleased software.
- Modifications and Misuse: Any modifications, misuse, accidents, disassembly, improper use, or unauthorized repairs.
- Serial Number Issues: Missing, altered, or unreadable serial number, manufacturer number, or part number labels, or discrepancies with the actual product.
- Improper Installation or Operation: Including any usage not according to the provided product instructions.
- Incorrect Power Supply: Connection to an improper power supply/voltage.
- Non-Material or Manufacturing Defects: Any other reasons not related to material or manufacturing defects.
- Natural Disasters: Damage caused by force majeure events, including but not limited to earthquakes, floods, storms, typhoons, and lightning strikes.
- Human or Subjective Causes: Damage caused by human factors or intentional or negligent acts, including improper use by minors.
- Third-Party Product Failures: Failures, damages, or losses caused by third-party products, services, or actions.
- Accidental or Human Factors: Including but not limited to computer viruses, operational errors, liquid damage, scratches, mishandling, impacts, incorrect plugging/unplugging, foreign objects, rodents, and insect damage.
- Exterior Changes: Damage caused by changes in appearance due to accidents or other causes that do not affect the operation and performance of the product, including rust, color changes, wear and tear, and aging effects like dimming lights.

For out-of-warranty products, the company reserves the right to charge a service fee.

Liability Limitation

TRYX and its distributors, agents, and service providers are not liable for third-party claims, loss or damage of user data, unclaimed product losses, or any special, incidental, indirect, or consequential damages, including but not limited to lost profits, revenue, data, or business interruptions. This limitation applies even if TRYX has been advised of the possibility of such damages. Some jurisdictions do not allow the exclusion or limitation of certain damages, so this may not apply to you.

Support and Service

For any inquiries or issues during the warranty period, contact TRYX through authorized dealers, agents, or our official website: www.tryxzone.com. Please provide a detailed description of the issue and a valid purchase receipt with the date. Further details or updated warranty terms will be available on our official website.

限用物质及元素列表

部件名称	有害物质						
	铅 (Pb)	镉 (Cd)	汞 (Hg)	六价铬 (Cr ⁶⁺)	多溴联苯 (PBB)	多溴联苯醚 (PBDE)	
PCBA及板上元件	×	○	○	○	○	○	○
连接器	○	○	○	○	○	○	○
线材	○	○	○	○	○	○	○
金属结构件	○	○	○	○	○	○	○
塑胶结构件	×	○	○	○	○	○	○
风扇	○	○	○	○	○	○	○
涂料	○	○	○	×	○	○	○
包装及缓冲材料	○	○	○	○	○	○	○
纸类及印刷品	○	○	○	○	○	○	○

本表格依据SJ/T 11364的规定编制。

○ : 表示该有害物质在该部件所有均质材料中的含量均在GB/T 26572规定的限量要求下。
 × : 表示该有害物质至少在该部件的某一均质材料中的含量超出GB/T 26572规定的限量要求, 然该部件仍然符合欧盟指令2011/65/EU的规范。



Download KANALI
下载KANALI



Support and FAQ
技术支持