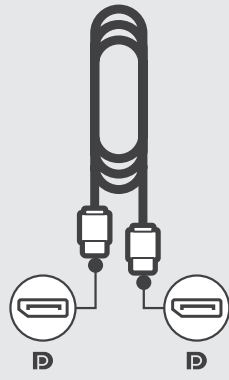
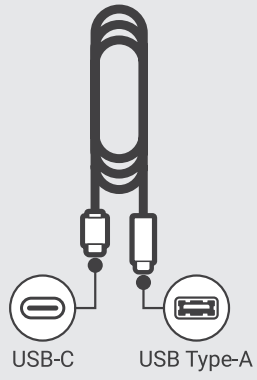
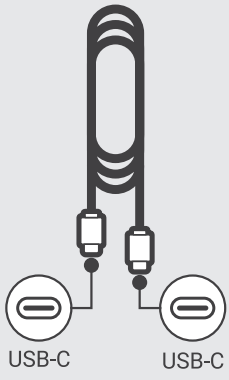
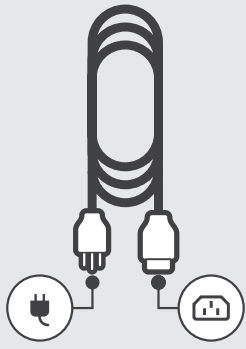
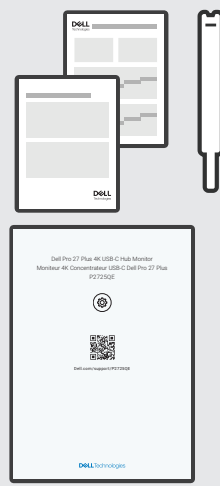
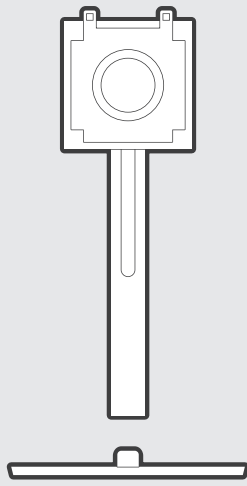
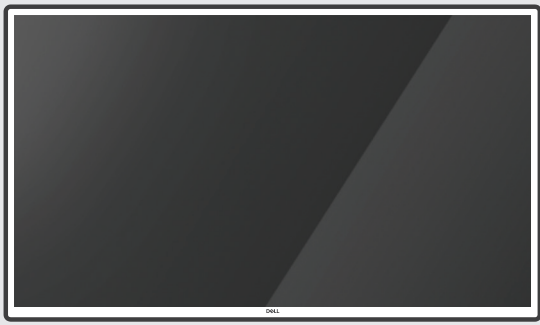


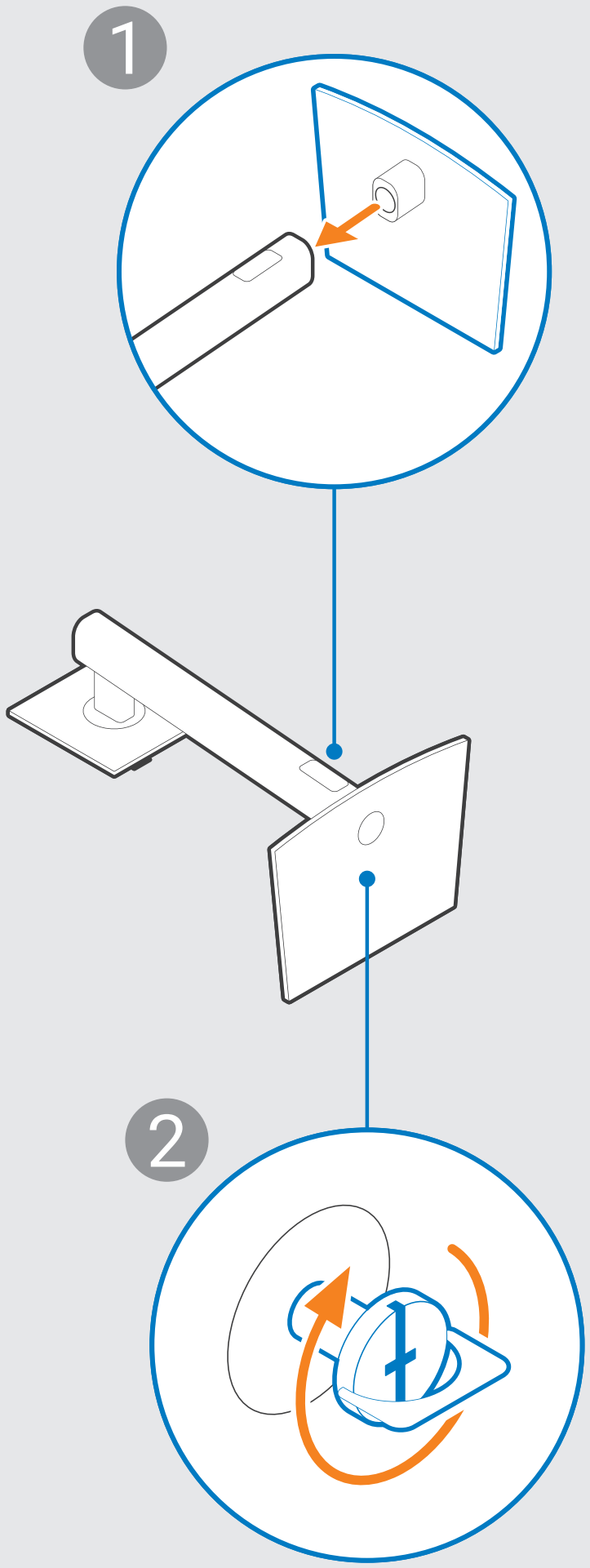


Dell Pro 27 Plus 4K USB-C Hub Monitor

P2725QE



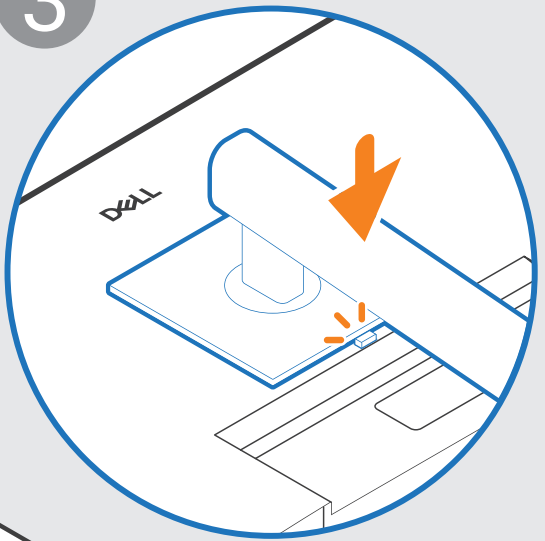




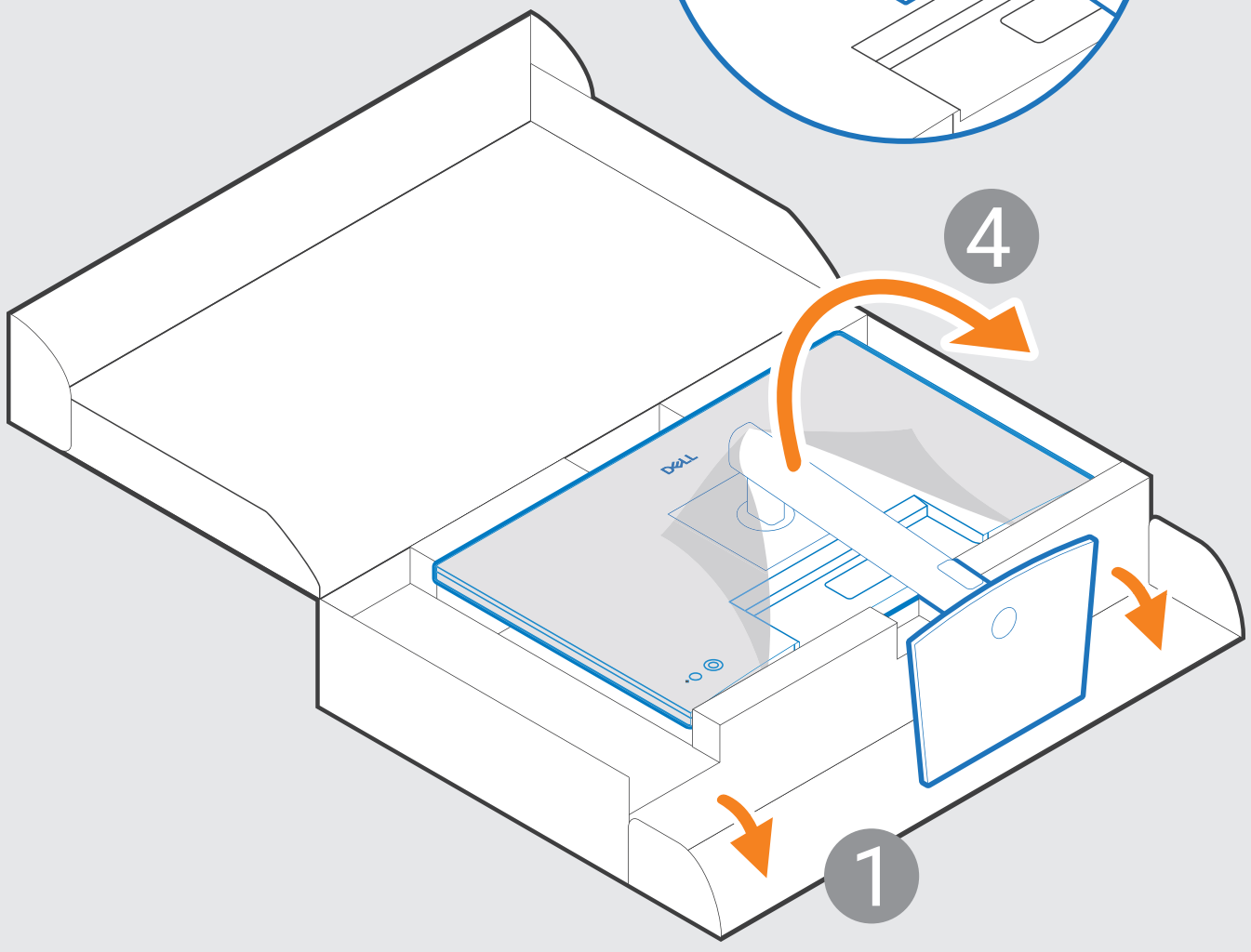
2

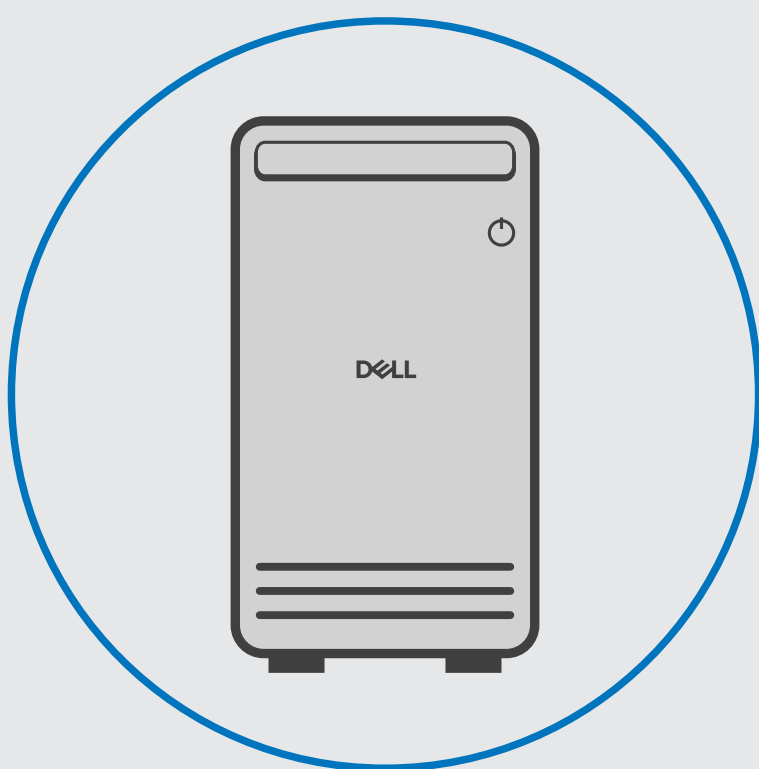


3

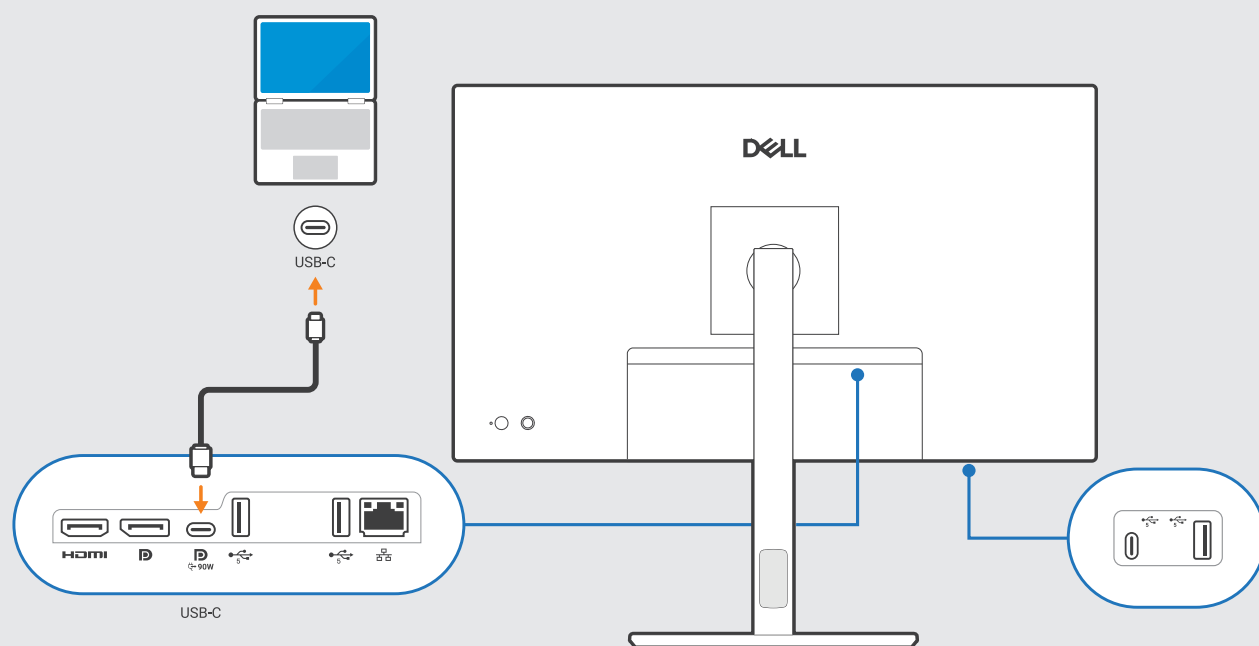


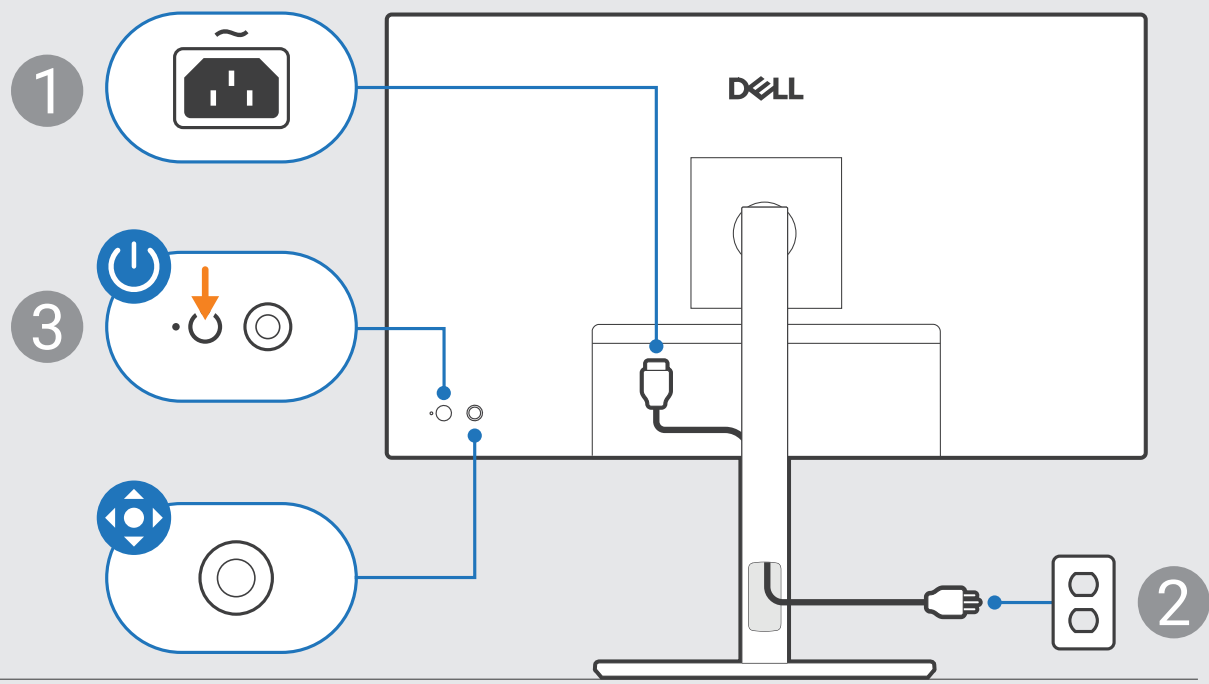
4



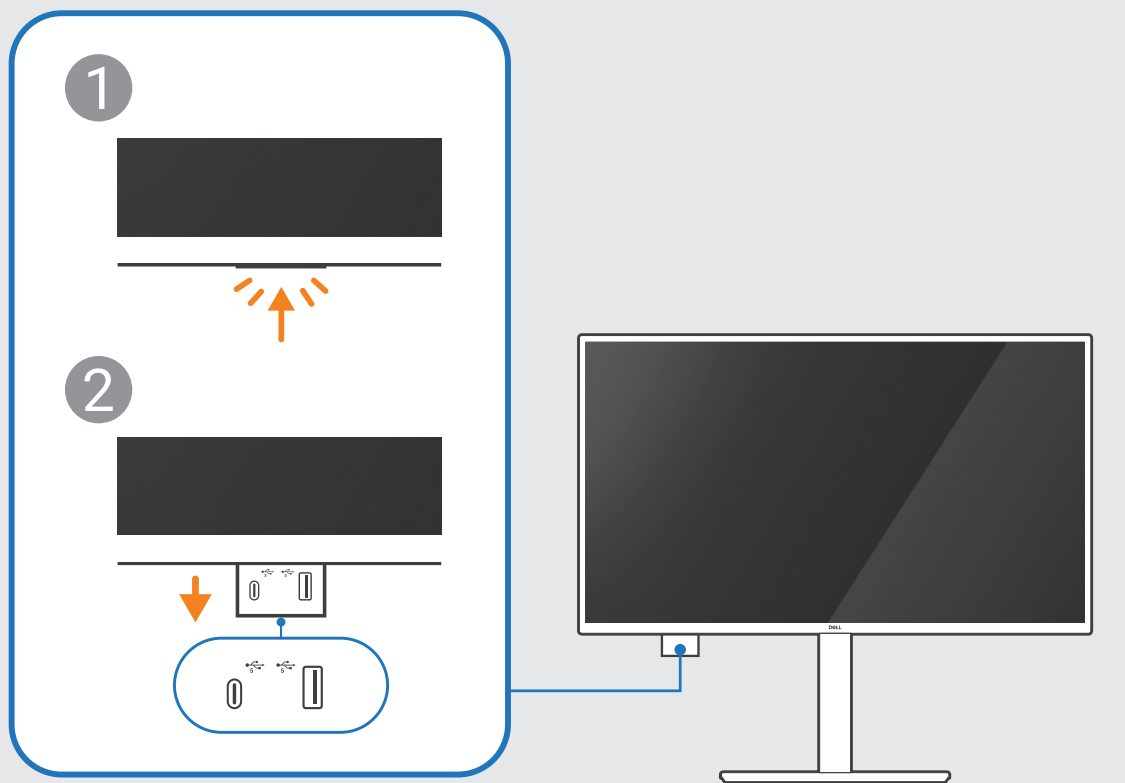


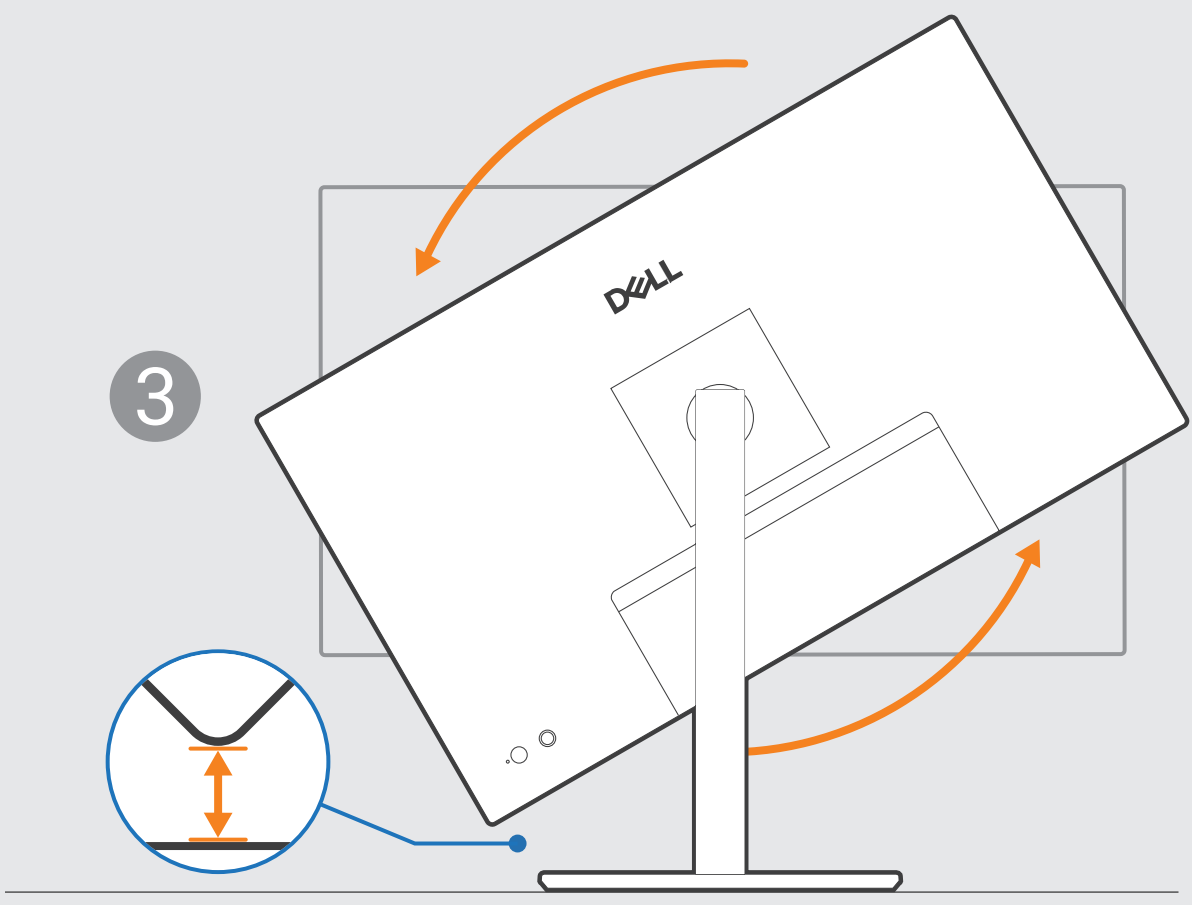
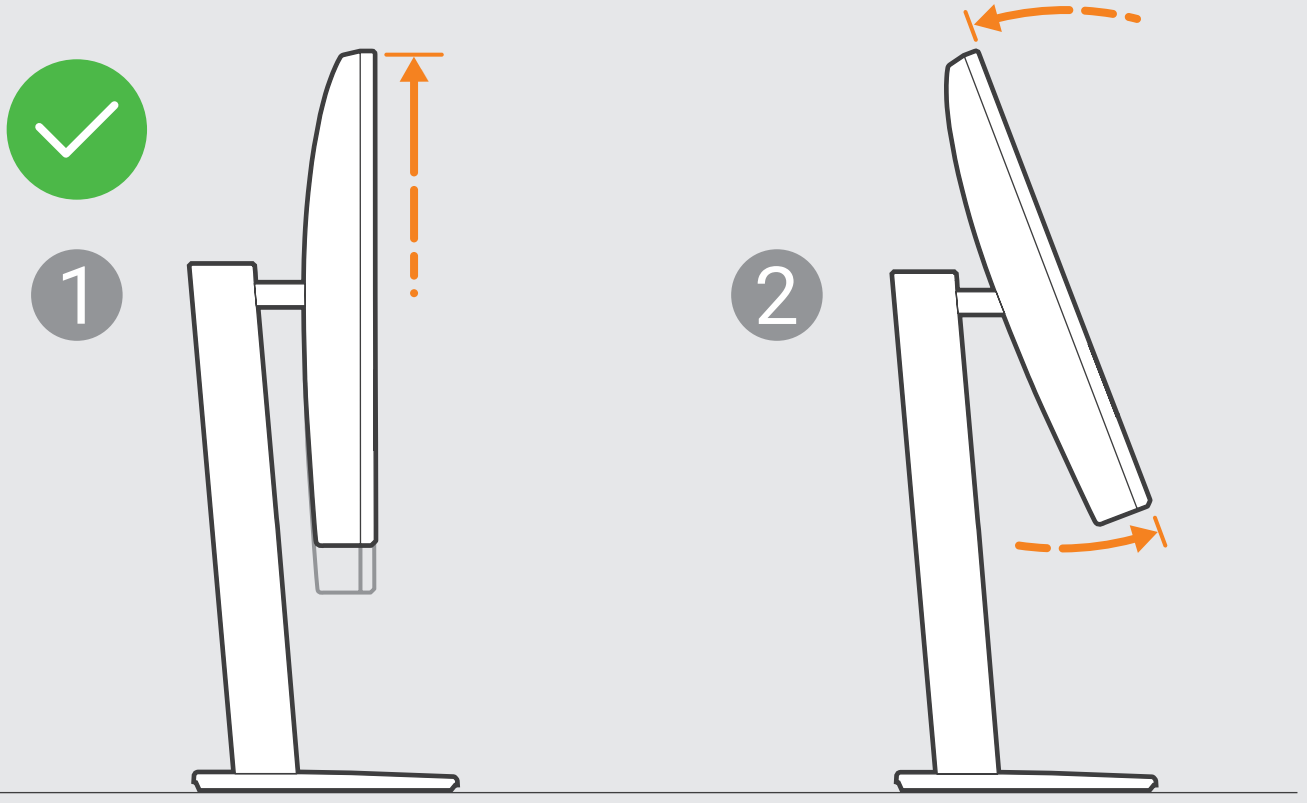
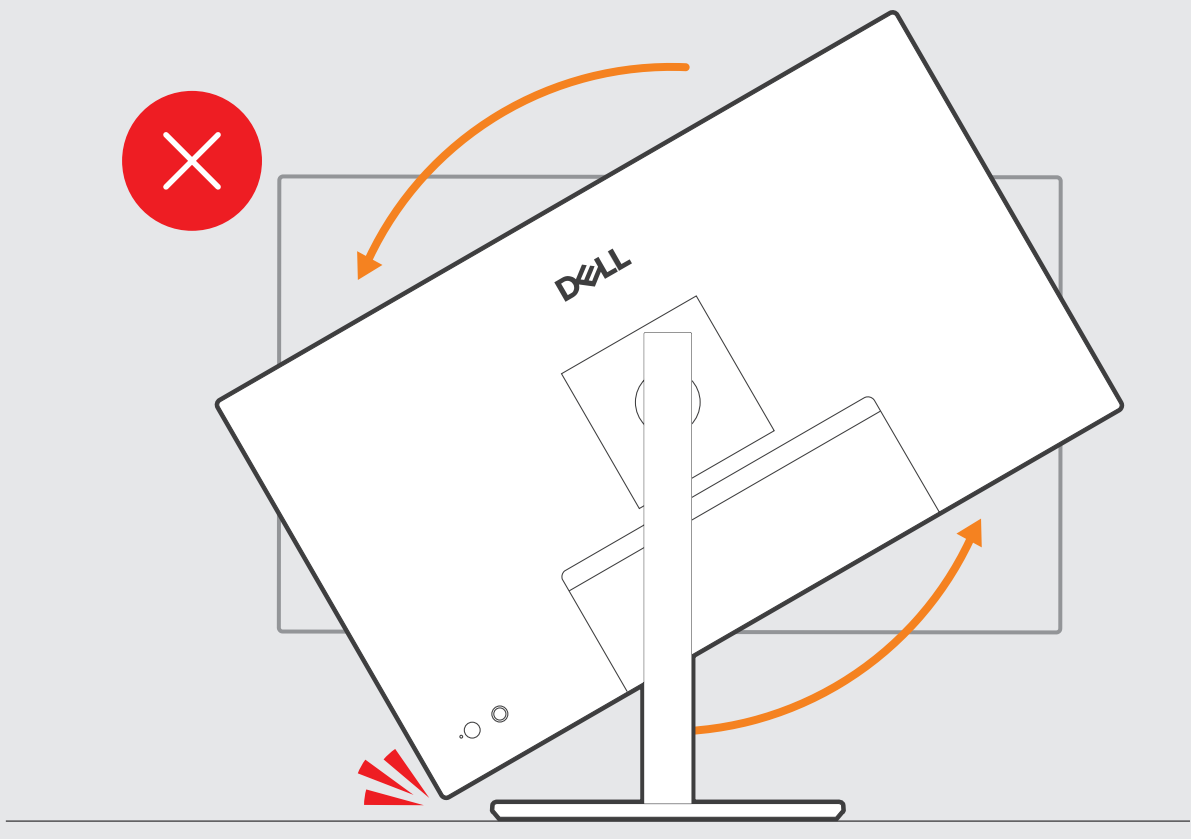


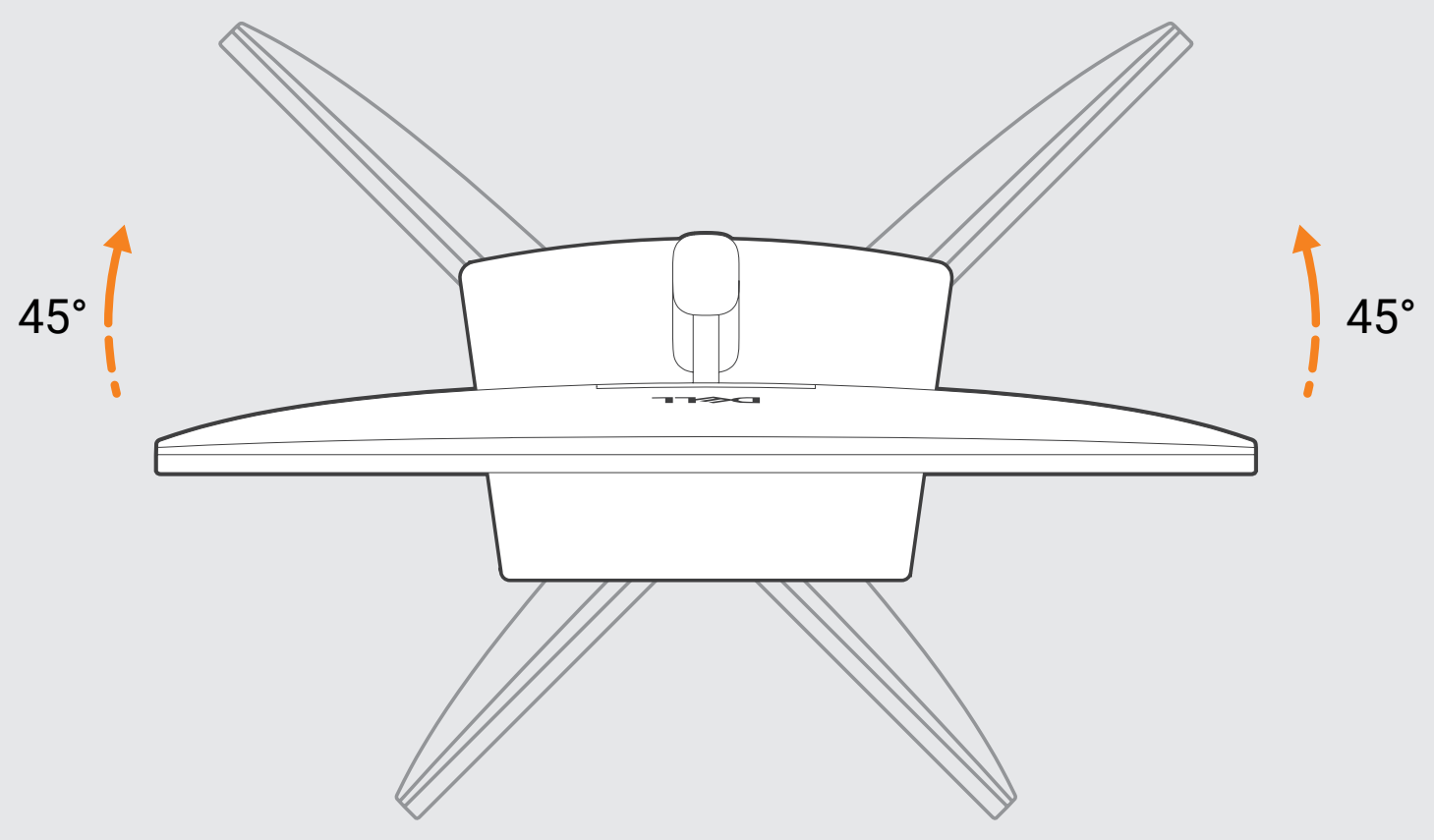
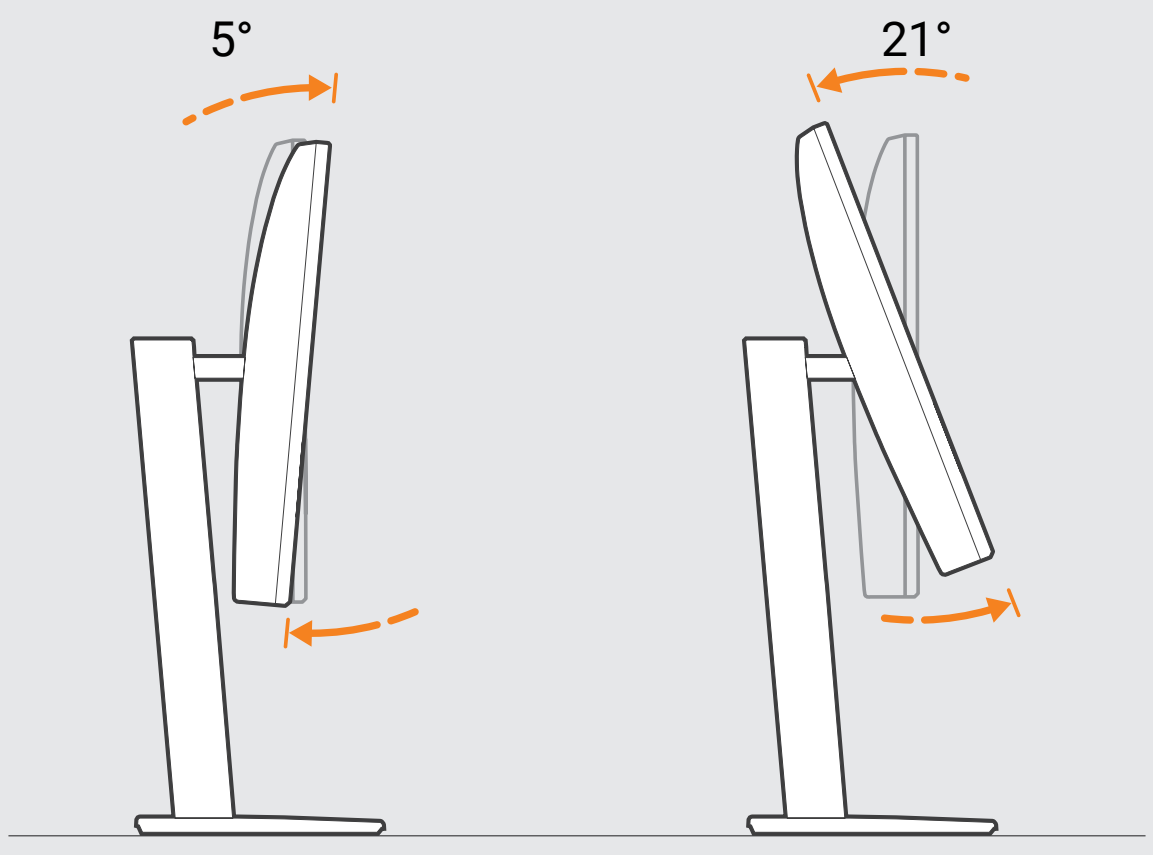
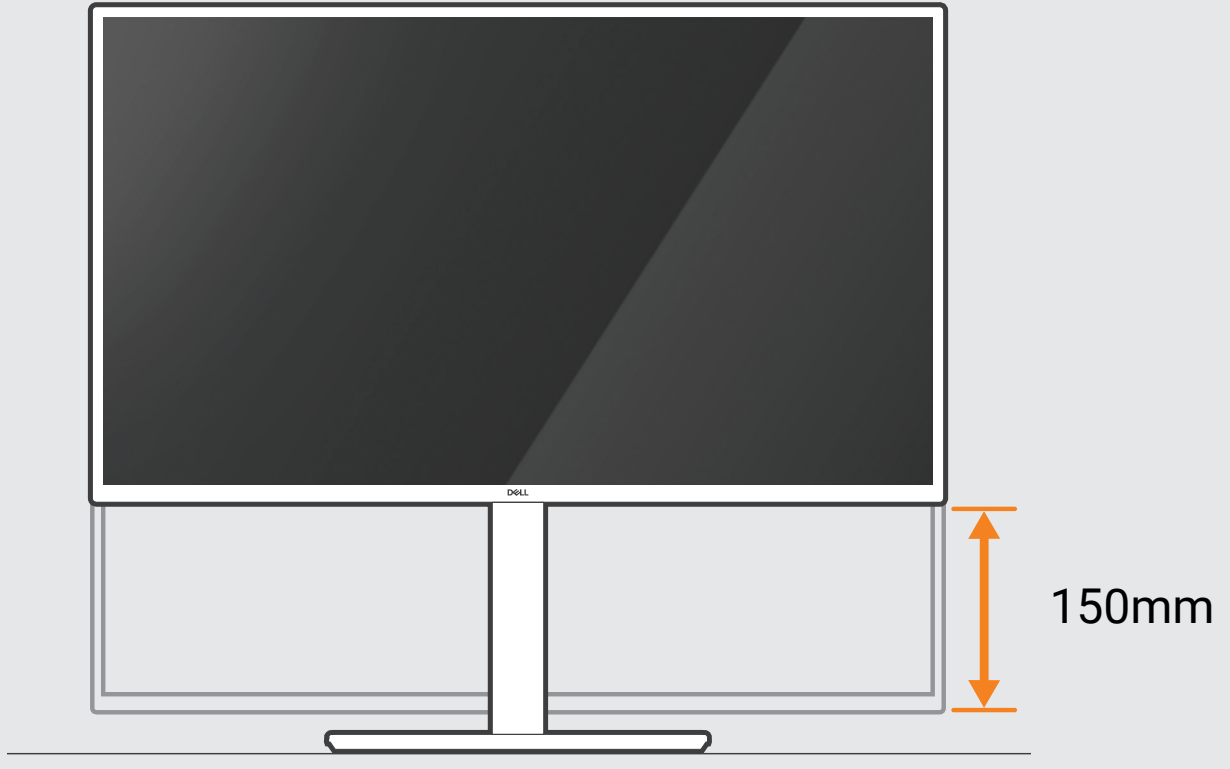


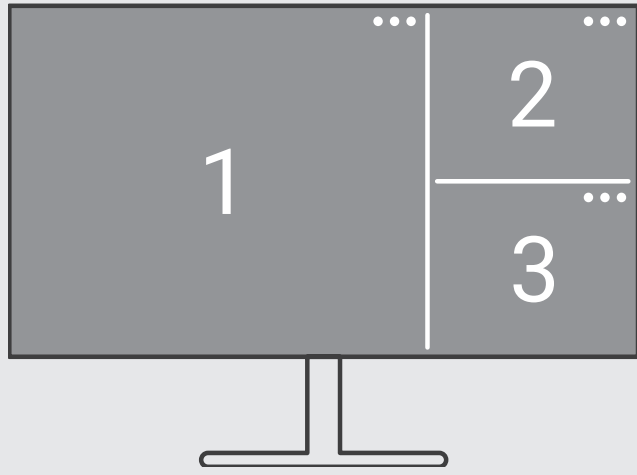




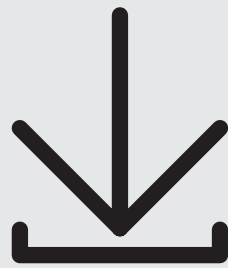








Dell Display and Peripheral Manager  
[Dell.com/support/ddpm](https://Dell.com/support/ddpm)



[Dell.com/support/P2725QE](https://Dell.com/support/P2725QE)