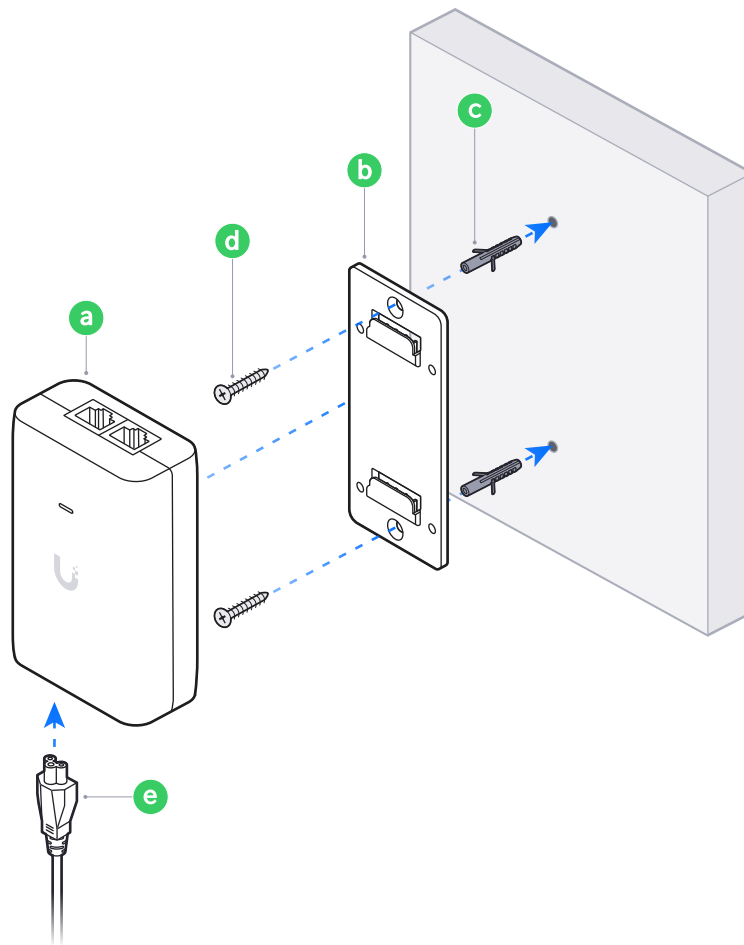
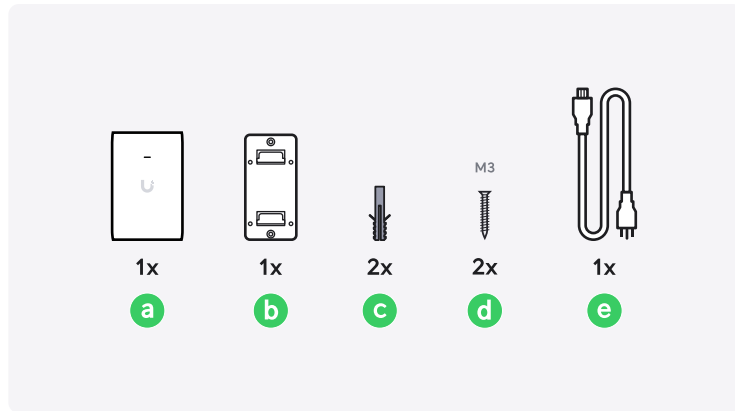
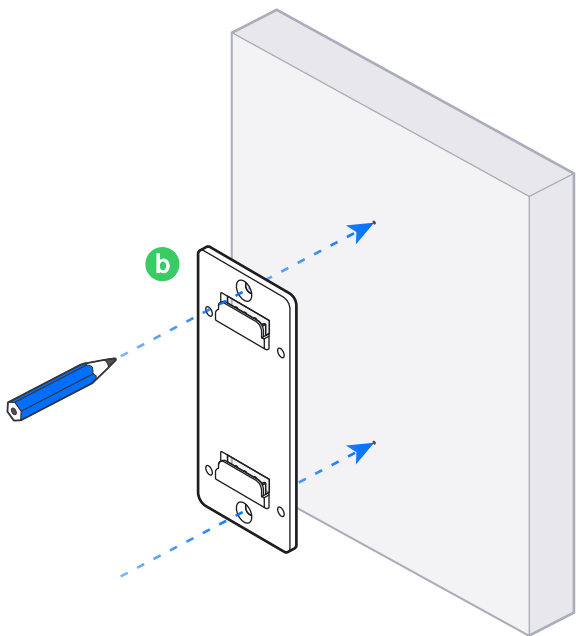
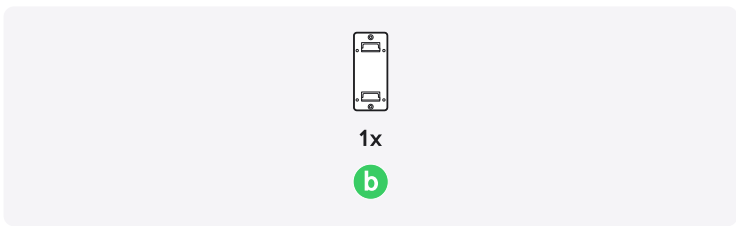


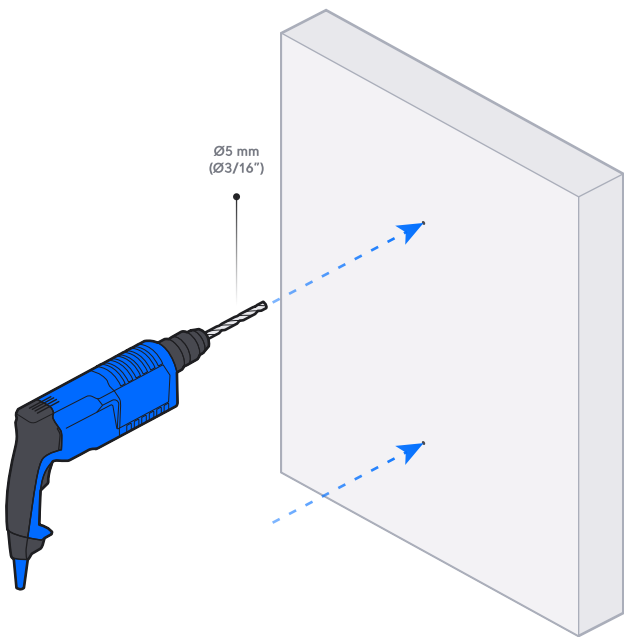


**PoE+ Adapter
(2.5G - 30W)**

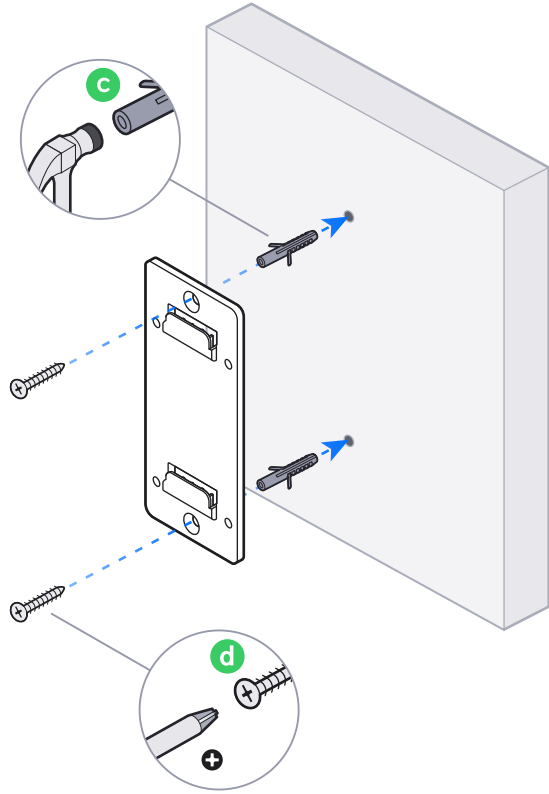
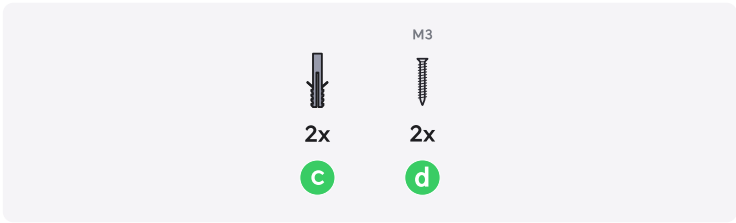




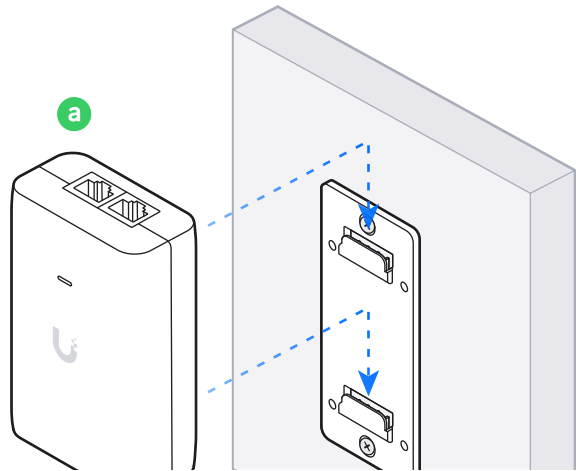
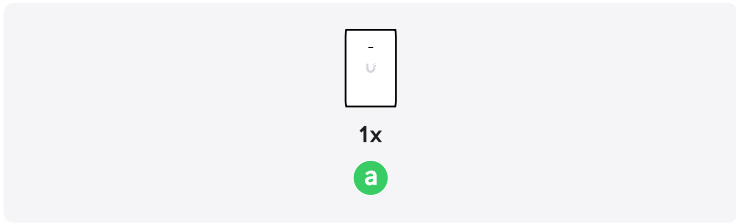
2



3



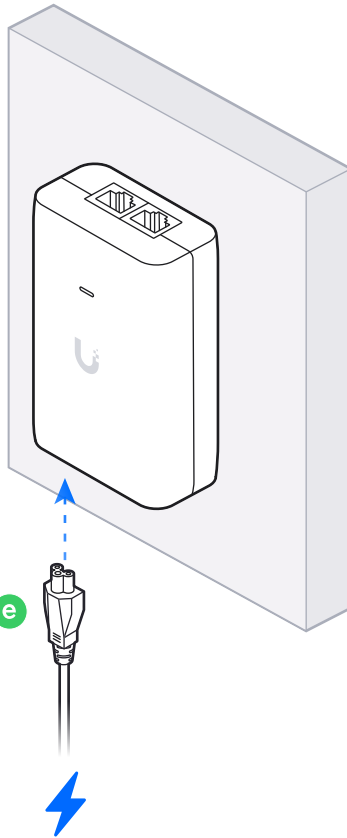
4



5



1x



If you need further assistance, visit our [Help Center](#) or contact [Ubiquiti Support](#).

