

erformance 1 M

MANUAL



Antec, Inc. is the global leader in high-performance computer components and accessories for the gaming, PC upgrade and Do-It-Yourself markets.

Founded in 1986, Antec is recognized as a pioneer in the industry and has maintained its position as a worldwide market leader and international provider of quiet, efficient and innovative products.

Antec has also achieved great success in the distribution channel, meeting the demands of quality-conscious system builders, VARs and integrators.

P.2 CONTENTS AND ACCESSORIES

Inhalt Und Zubehör | Contenu Et Accessoires | Contenuto E Accessori | Contenido Y Accesorios | 商品与配件 | 内容物與配件 | 내용을 및 부속품 | 内容と付属品

P.3 PRODUCT INTRODUCTION

Produktübersicht | Introduction Au Produit | Introduzione Del Prodotto | Presentación Del Producto | 產品介紹 | 产品介绍 | 제품 소개 | 商品紹介

P.8 INSTALLATION GUIDE

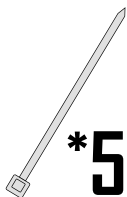
Installationsanleitung | Guide D'installation | Guida All'installazione | Guía De Instalación | 安裝指南 | 安裝指南 | 설치 안내 | 設置のガイド

CONTENTS AND ACCESSORIES

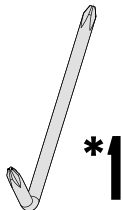
I ACCESSORY BOX CONTENTS

Packungsinhalt | Contenu de l'Emballage | Contenuto della confezione | Contenido del paquete | 配件盒内容物 | 产品 | 포장 내용물 | パッケージの内容

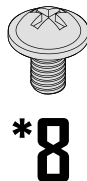
A Cable Tie



B Screwdriver



C Motherboard Screws/ 2.5" SSD Screws



D Power Supply Screws



PRODUCT INTRODUCTION

1 CASE SPECIFICATIONS

Gehäusespezifikationen | Caractéristiques du Boitier | Specifiche del contenitore | Especificaciones de la caja | 機箱規格 | 机箱规格 | 케이스 사양 | 케이스仕様

General

Form Factor	Mini-ITX
Material(s)	Steel + Plastic + Aluminium
Side Panel Type	Solid Side Panel
Access & Controls	Power, Type-C 10Gbps x 1
Dimensions	424 x 175 x 260 mm (DWH)

Compatibility & Clearances

Mainboard Support	ITX
Max PSU Length	130 x 125 x 63.5mm / SFX-L & SFX only
Max CPU Cooler Height	≤ 85mm (40mm Max GPU Thickness)
Max GPU Length	≤ 350mm
Max GPU Thickness	≤ 78mm (47mm Max CPU Cooler Height)
Total GPU Thickness + CPU Cooler Height	125mm

Expansion Slots & Drive Bays

2.5"	1
------	---

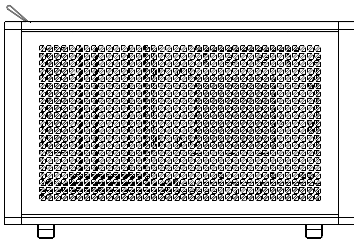
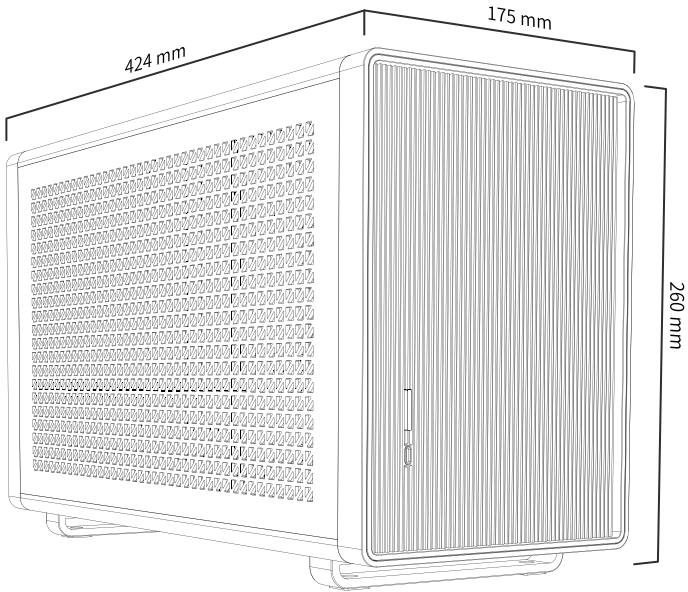
Cooling

Bottom	2 x 120 / 2 x 140mm
Riser Cable	PCIe 4.0
Dust Filter	Bottom

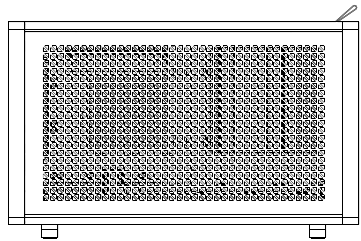
PRODUCT INTRODUCTION

2 CASE OVERVIEW

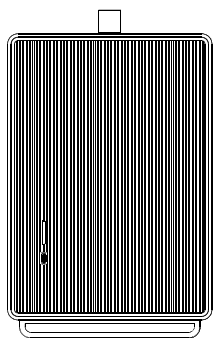
Gehäuseübersicht | Vue d'Ensemble du Boitier | Vista generale del contenitore | Información de la caja | 机箱概述 | 产品特点 |
케이스 개요 | 케이스概要



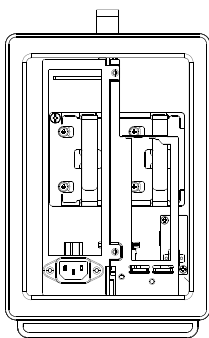
Left Side



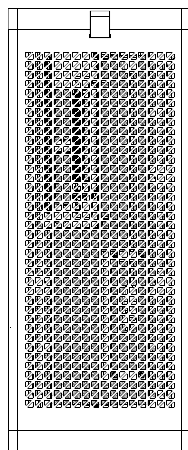
Right Side



Front



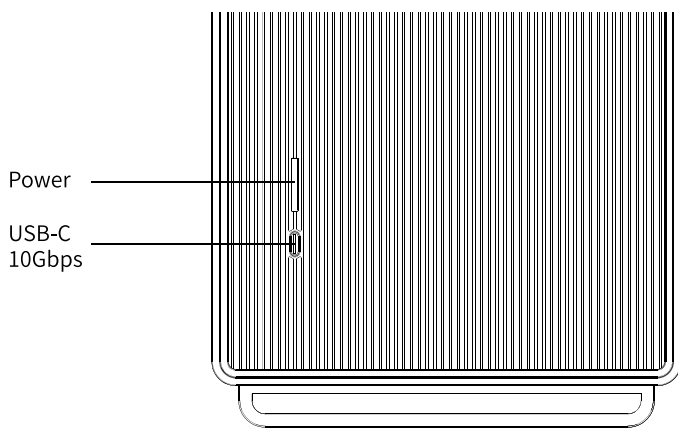
Rear



Top

3 I/O PANEL

Anschlüsse und Tasten | Connecteurs et Boutons | Connettori e pulsanti | Conectores y botones | I/O接口 | I/O端口 | 커넥터 및 버튼 | コネクタとボタン



PRODUCT INTRODUCTION

4 PARTS

Komponenten | Pièces | Parti | Partes | 機箱結構 | 机箱结构 | 부품 | 部品

A Case Body

Gehäuse | Corps du Boîtier | Corpo contenitore | Cuerpo de la caja | 機箱結構 | 机箱
| 케이스 본체 | 케이스 본체

B Side Panel

Seitliche Platte | Panneau latéral | Pannello laterale | Panel lateral | 側板 | 側面板 |
사이드 패널 | 사이드 패널

C Top Panel

Panel oben | Panneau haut | Pannello superiore | Panel de arriba | 頂板 | 頂部面板
| 상단 패널 | 톱판넬

D Top Panel Strap

Riemen für oberes Panel | Sangle du panneau haut | Cinghia del pannello superiore
| Correa del panel arriba | 頂板拉手 | 頂部面板拉手 | 상단 패널 스트랩 | 톱판넬
스트랩

E Bottom Panel

Bodenplatte | Panneau inférieur | Pannello inferiore | Panel inferior | 底板 | 底部面
板 | 바닥 패널 | 下部 패널

F Bottom Dust Filter

Unterer Staubfilter | Filtre à poussière du bas | Filtro antipolvere inferiore | Filtro de
Polvo de Abajo | 底部濾網 | 底部濾網 | 하단 먼지 필터 | 보텀 필터

G PCIE 4.0 GPU Bracket

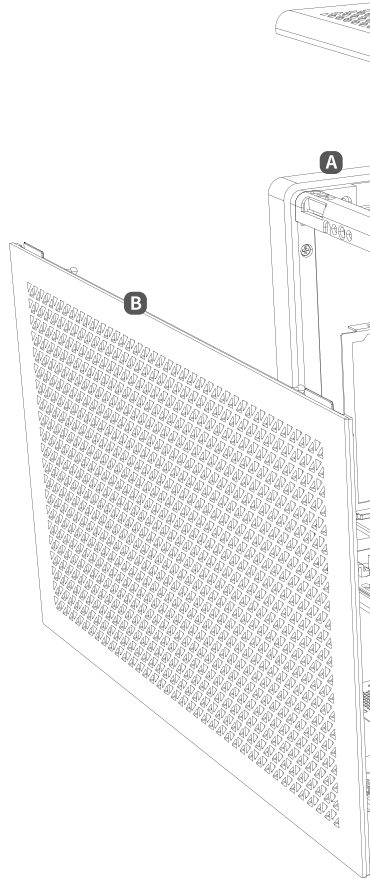
PCIE 4.0-Grafikkartenhalterung | Support de carte graphique PCIE 4.0 | Supporto
per scheda grafica PCIE 4.0 | Soporte para tarjeta gráfica PCIE 4.0 | PCIE 4.0 顯示卡
支架 | PCIE 4.0 显卡支架 | PCIE 4.0 그래픽 카드 브래킷 | PCIE 4.0 그래픽 카드 브
라켓

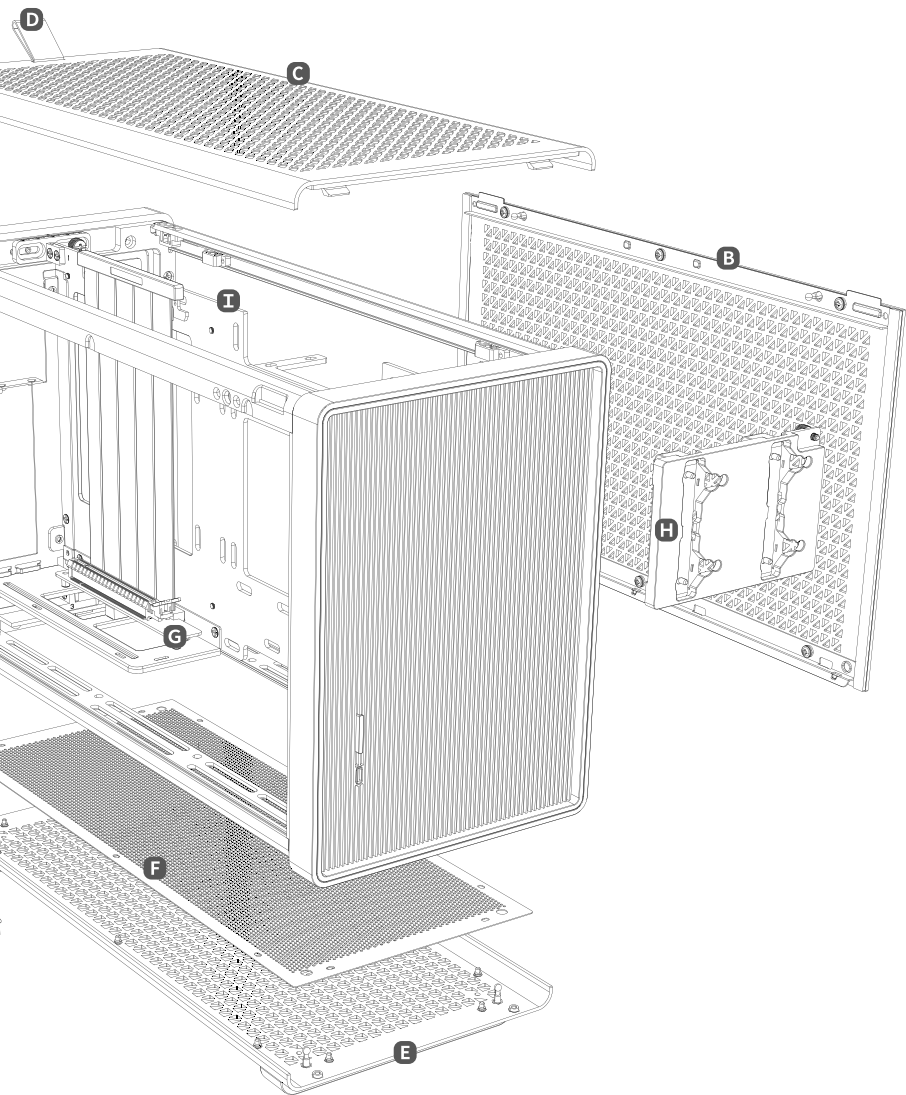
H 2.5" SSD (Solid-State Drive) Tray

2,5-Zoll-SSD-Einschub (Solid-State Drive) | Plateau SSD 2,5" | Tray SSD da 2,5" |
Bandeja de 2,5" SSD (Solid-State Drive) | 2.5吋SSD 硬碟架 | 2.5吋SSD 硬盘架 | 2.5
인치 SSD 트레이 | 2.5" SSD 트레이

I Adjustable Central Plate

Verstellbare Mittelplatte | Plaque centrale réglable | Piastra centrale regolabile |
Placa central ajustable | 可調式中央支架 | 可調式中央支架 | 조절 가능한 중앙 플레이트
| 調整可能な中央 플레이트

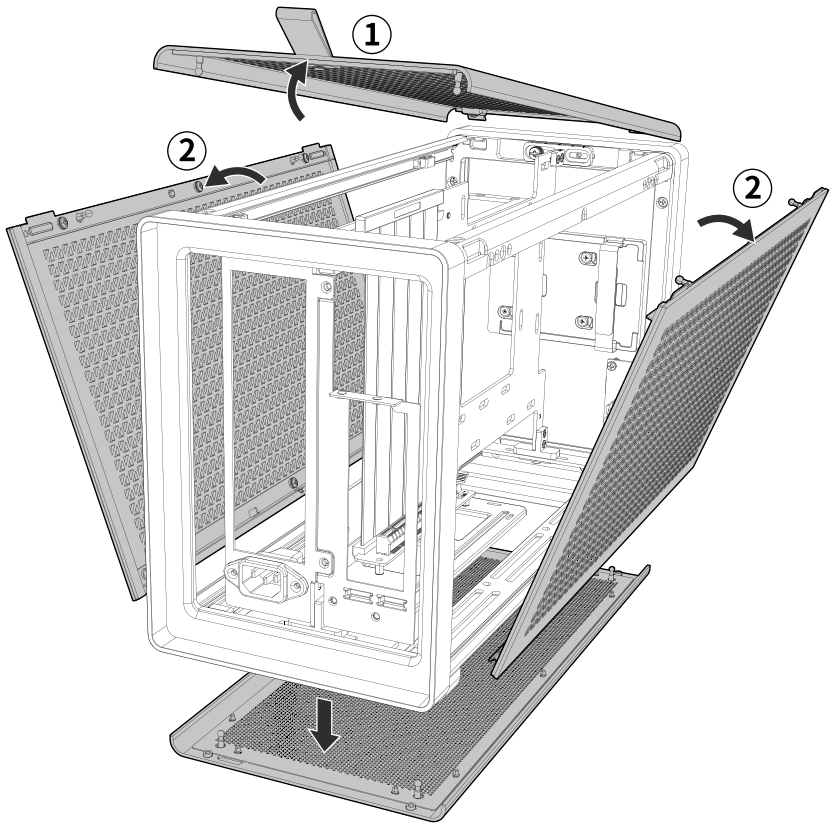




INSTALLATION GUIDE

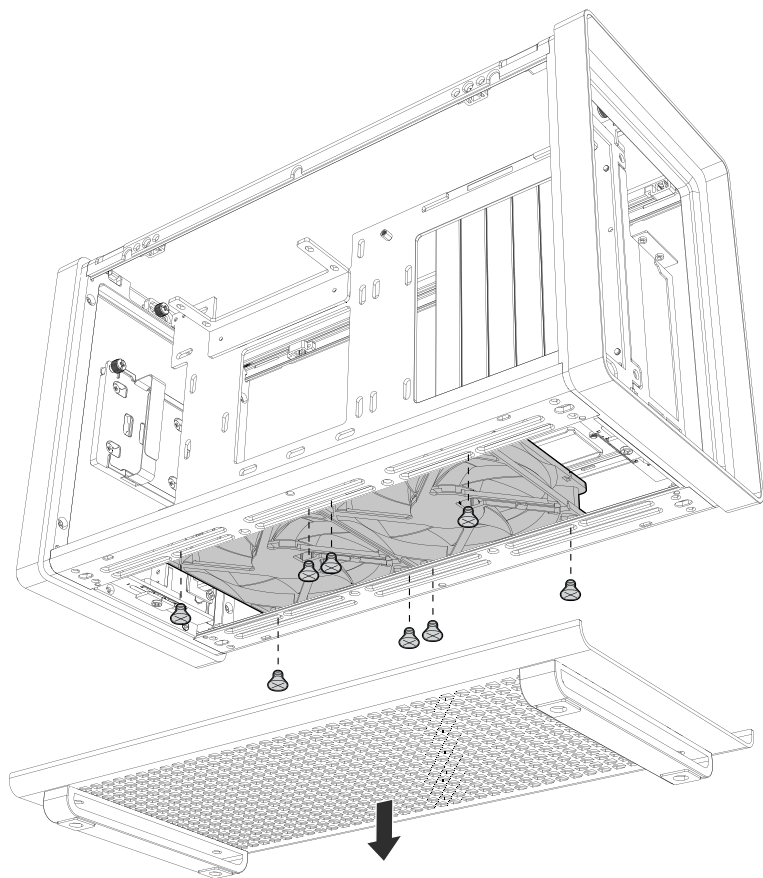
I REMOVE SIDE PANEL

Seitenwand abnehmen | Retirer les Panneaux Latéraux | Rimozione del pannello laterale | Extracción de panel lateral | 拆除側面板 | 拆除側板 | 측면 패널 제거 | 側面のパネルを外す



2 FAN INSTALLATION

Installation des Lüfters | Installation des Ventilateurs | Istallazione del ventilatore | Instalación de ventilador | 安裝風扇 | 安裝風扇 | 팬 설치 | 팬의取り付け

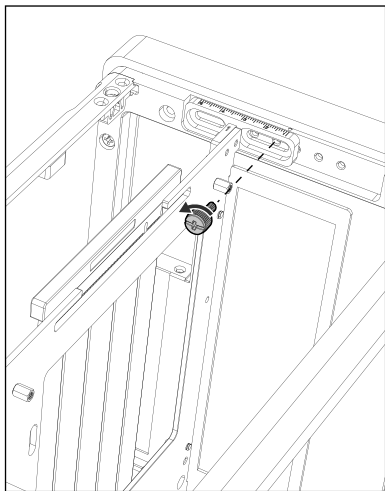


INSTALLATION GUIDE

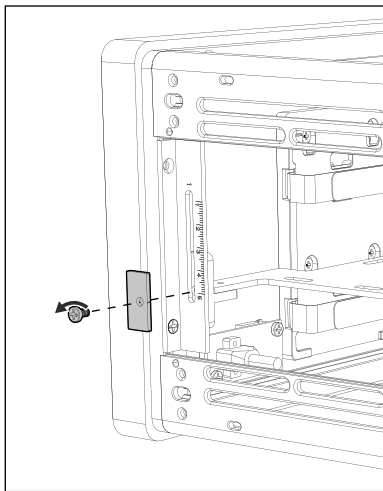
3 ADJUSTABLE CENTRAL PLATE

Verstellbare Mittelplatte | Plaque centrale réglable | Piastra centrale regolabile | Placa central ajustable | 可調式中央支架 | 可調式中央支架 | 조절 가능한 중앙 플레이트 | 調整可能な中央プレート

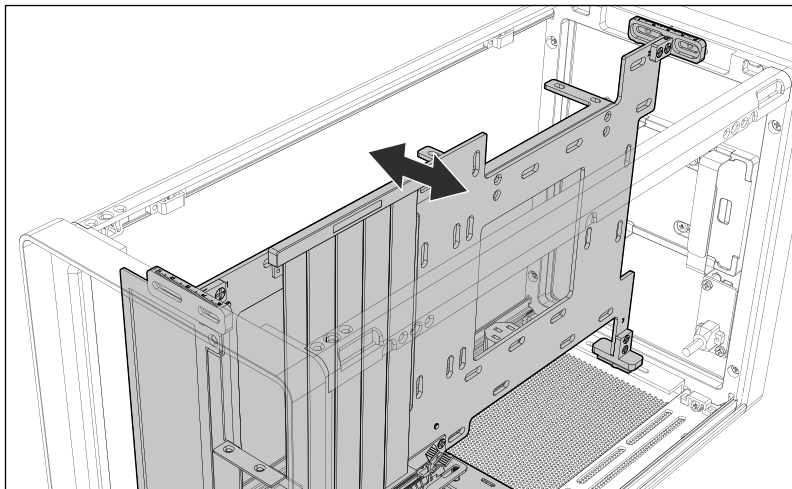
[A] REMOVE 2 TOP SCREWS

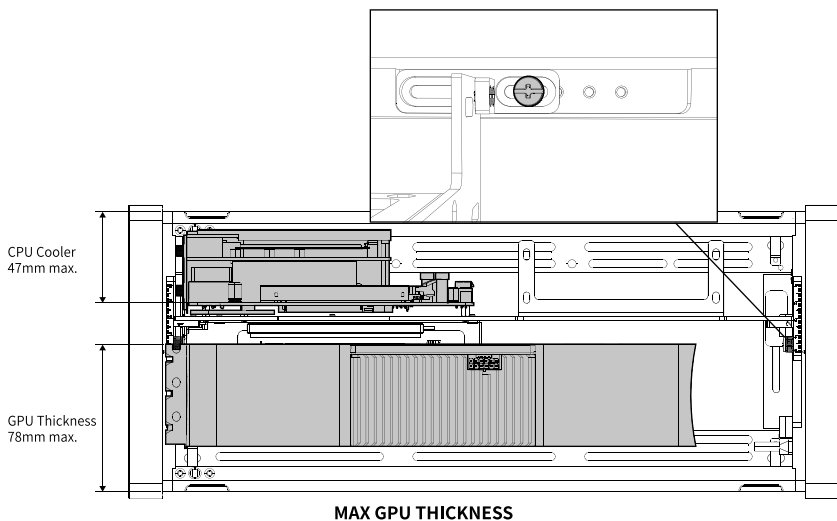
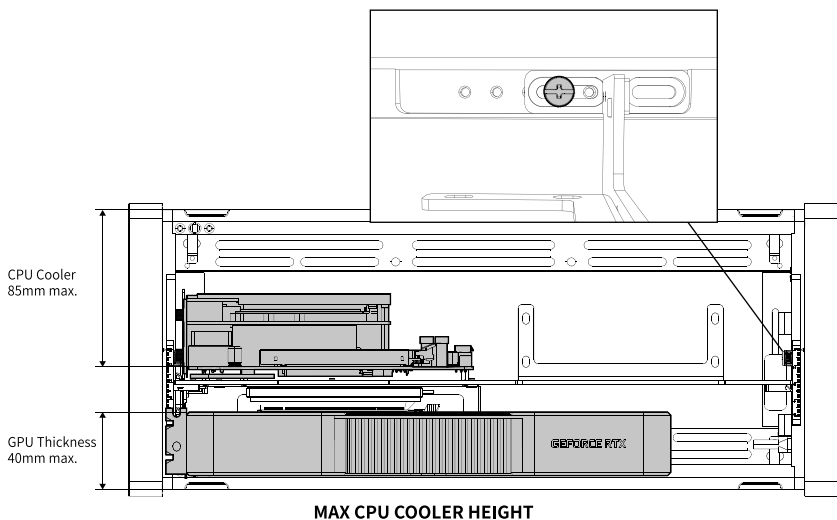


[B] REMOVE 2 BOTTOM SCREWS



[C] ADJUST THE CENTRAL PLATE

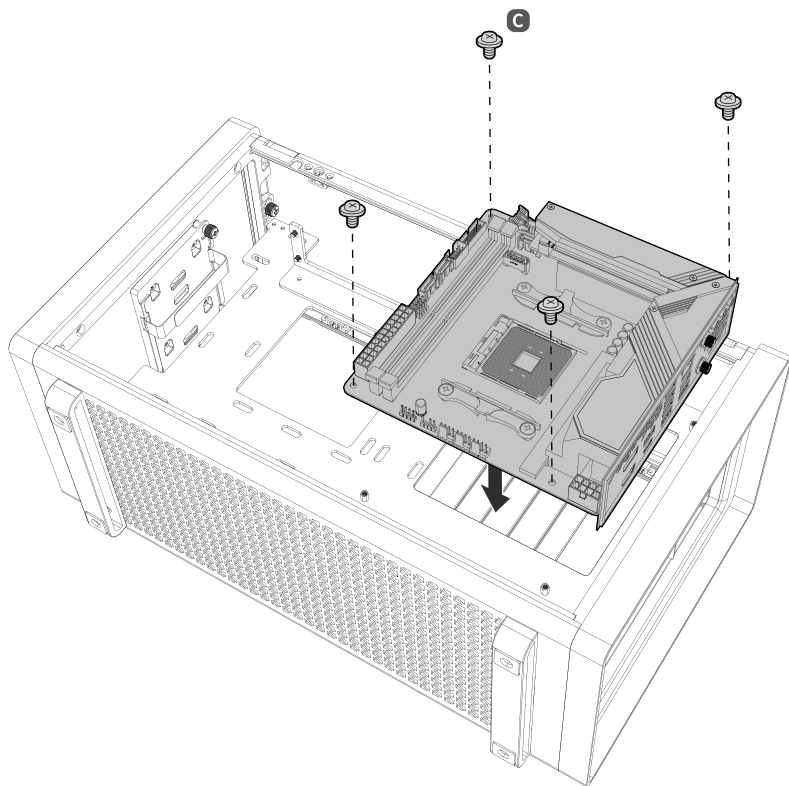
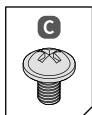




INSTALLATION GUIDE

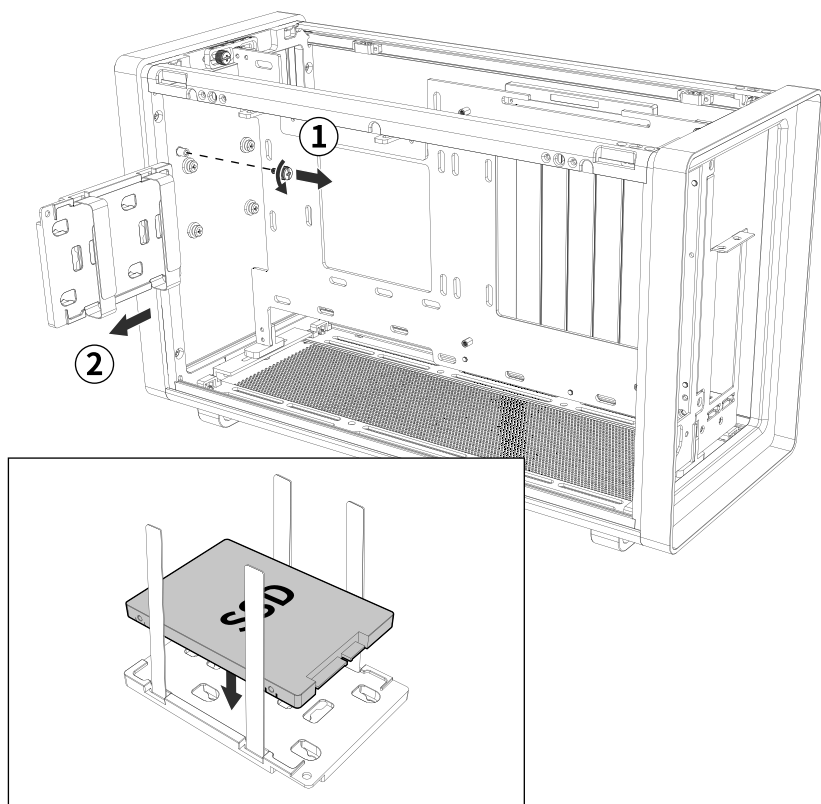
4 MOTHERBOARD INSTALLATION

Installation der Hauptplatine | Installation de la Carte-Mère | Installazione della scheda madre | Instalación de placa base | 安裝主機板 | 安裝主板 | 메인보드 설치 | 마ザー보드設置



5 HARD DISK INSTALLATION

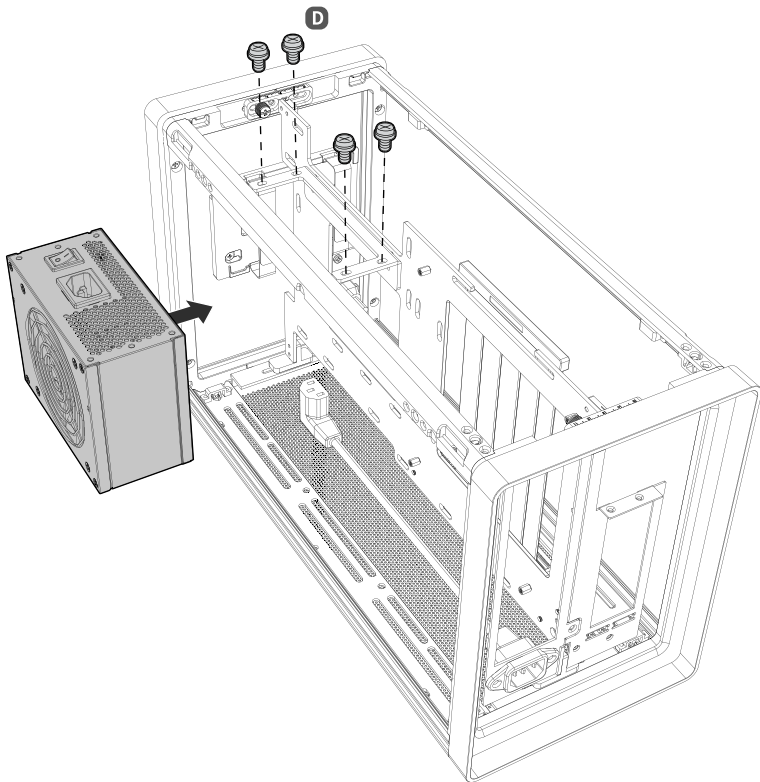
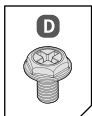
Festplatteninstallation | Installation des Disques Durs | Istallazione del disco rigido | Instalación de disco duro | 安裝硬碟 | 安裝
硬盘 | 하드 디스크 설치 | 하드디스크의設置



INSTALLATION GUIDE

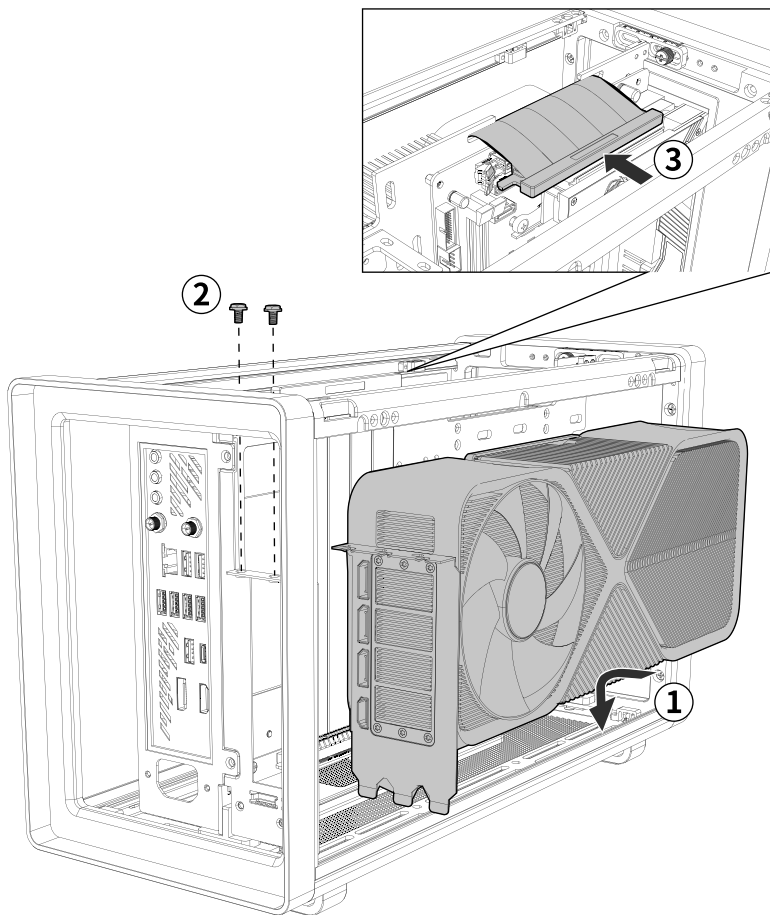
6 POWER SUPPLY INSTALLATION

Installation des Netzteils | Installation du Bloc d'Alimentation | Installazione dell'alimentatore di rete | Instalación de fuente de alimentación | 安裝電源供應器 | 安裝電源 | 파워 서플라이 설치 | 電源設置



7 VGA / PCI-EXPRESS CARD INSTALLATION

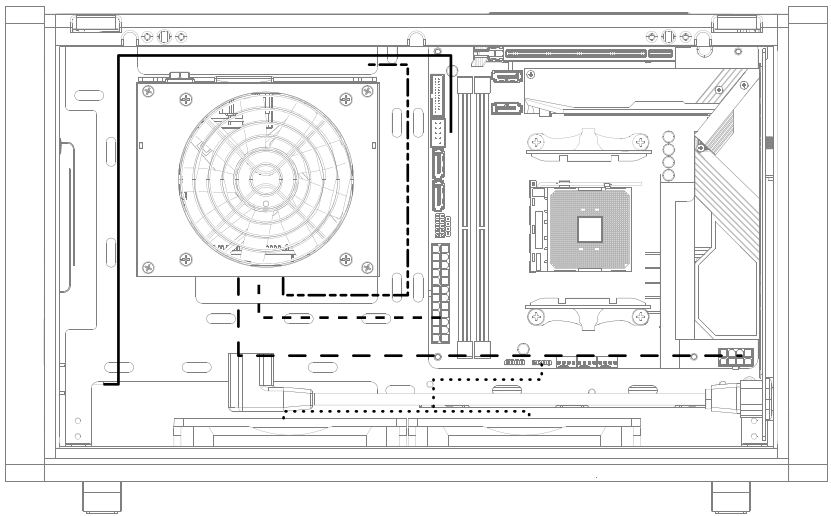
Installation der VGA/PCI-Express-Karte | Installation de la Carte Graphique | Istallazione della scheda VGA / PCI-Express |
Instalación de tarjeta VGA/PCI-Express | 安裝VGA/PCI-E卡 | 安裝VGA/PCI-E显卡 | VGA / PCI-익스프레스 카드 설치 | VGA / PCI-E카드
의設置



INSTALLATION GUIDE

8 ROUTING SUGGESTION

Vorschlag kabelführung | Suggestions d'installation | Suggerimento percorso cavi | Sugerencia de routing | 整線建議 | 整線建議
| 작업공정 제한 | おススメの配線



- I/O cable
- Fan cable
- - - - Motherboard
- · - · GPU power cable
- - - - CPU power cable



www.antec.com/support

US & Canada

support@antec.com

Europe

+31-(0)-10-462-2060

eusupport@antec.com

Asia

+886-(0)800-060-696

apsupport@antec.com

Authorized representative in Europe: Antec Europe BV, Corkstraat 46,
3047 AC Rotterdam / The Netherlands

www.Antec.com

[f](#) Antec Inc. [@](#) antec [v](#) Antec [X](#) antec [Antec_Official](#)