

3 WIDE LANDSCAPE					
EXTRUSION LENGTH (IN.)	MINIMUM SCREEN WIDTH TO HIDE BAR (IN.)	MOUNTING PATTERN WIDTH (mm)	DISTANCE BETWEEN SCREENS (IN.)	MAX SCREEN WIDTH (IN.)	TOTAL SCREEN WIDTH (IN.)
108	36.33	600	0.0625	41.13	123.50
		400		43.06	135.19
		300		47.03	141.10
		200		49.00	147.00

THE INFORMATION AND DESIGNS CONTAINED IN THIS DRAWING ARE CONFIDENTIAL AND THE PROPRIETARY PROPERTY OF LEGRAND | AV. NEITHER THIS DESIGN NOR ANY INFORMATION CONTAINED IN THIS DRAWING MAY BE REPRODUCED OR DISCLOSED TO OTHERS WITHOUT THE EXPRESS WRITTEN CONSENT OF LEGRAND | AV.

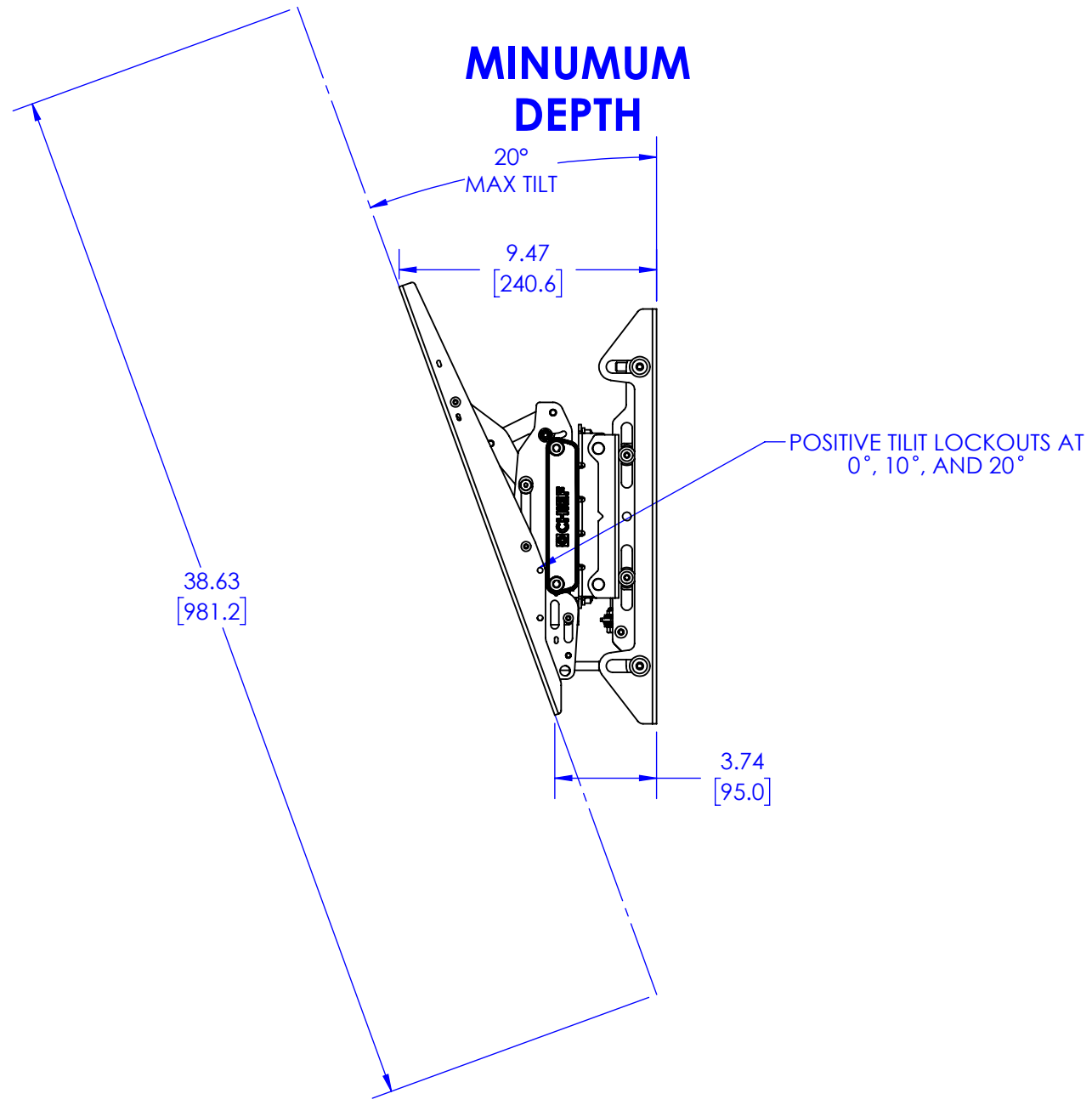
CAD GENERATED DRAWING, DO NOT MANUALLY UPDATE.					6436 CITY WEST PKWY EDEN PRAIRIE MN, 55344 PHONE: 866-977-3901 FAX: 877-894-6918	
DRAWN BY	CT	7/16/2024	DESCRIPTION			
ENG APPROVAL			MENU-BOARD, WALL MTD, 3 WIDE, LANDS. MOD			
MFG APPROVAL			MODEL NO.			
QA APPROVAL			LWM3X1UM			
SHEET 1 OF 2		SCALE	SIZE	DWG. NO.	REV.	
		1:10.5	B	TECH-001312	00	

NOTE: MOUNT IS SHOWN WITH HEIGHT ADJUST CENTERED

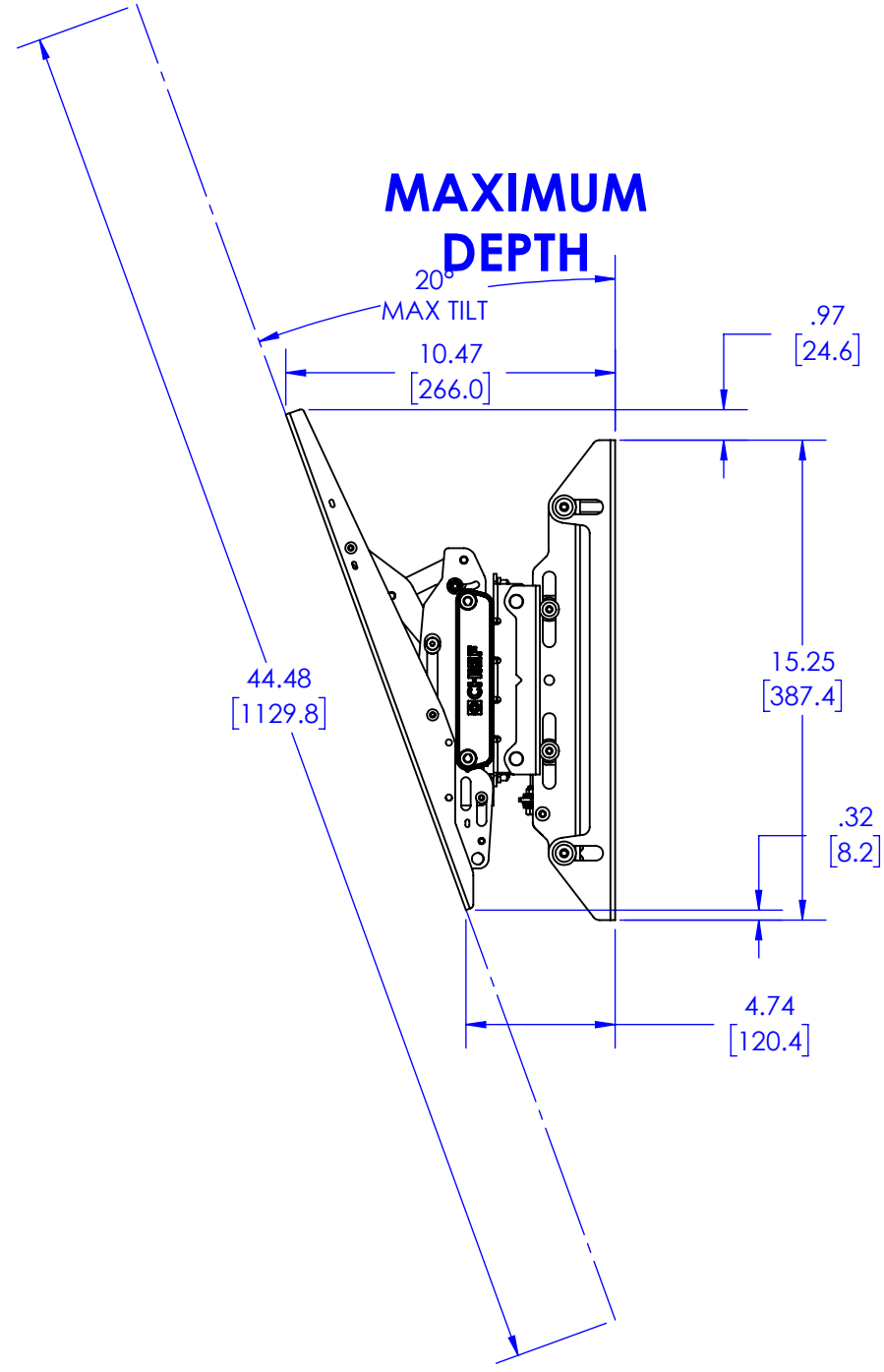
D  
C  
B  
A

D  
C  
B  
A

**MINIMUM DEPTH**




**MAXIMUM DEPTH**



NOTE: MOUNT IS SHOWN WITH HEIGHT ADJUST CENTERED

THE INFORMATION AND DESIGNS CONTAINED IN THIS DRAWING ARE CONFIDENTIAL AND THE PROPRIETARY PROPERTY OF LEGRAND | AV. NEITHER THIS DESIGN NOR ANY INFORMATION CONTAINED IN THIS DRAWING MAY BE REPRODUCED OR DISCLOSED TO OTHERS WITHOUT THE EXPRESS WRITTEN CONSENT OF LEGRAND | AV.

CAD GENERATED DRAWING, DO NOT MANUALLY UPDATE.			 6436 CITY WEST PKWY EDEN PRAIRIE MN, 55344 PHONE: 866-977-3901 FAX: 877-894-6918	
DRAWN BY	CT	7/16/2024	DESCRIPTION	
ENG APPROVAL			MENU-BOARD, WALL MTD, 3 WIDE, LANDS. MOD	
MFG APPROVAL			MODEL NO.	
QA APPROVAL			LWM3X1UM	
SHEET 2 OF 2		SCALE 1:6	SIZE B	DWG. NO. TECH-001312
			REV.	00

1 2 3 4 5 6 7 8