



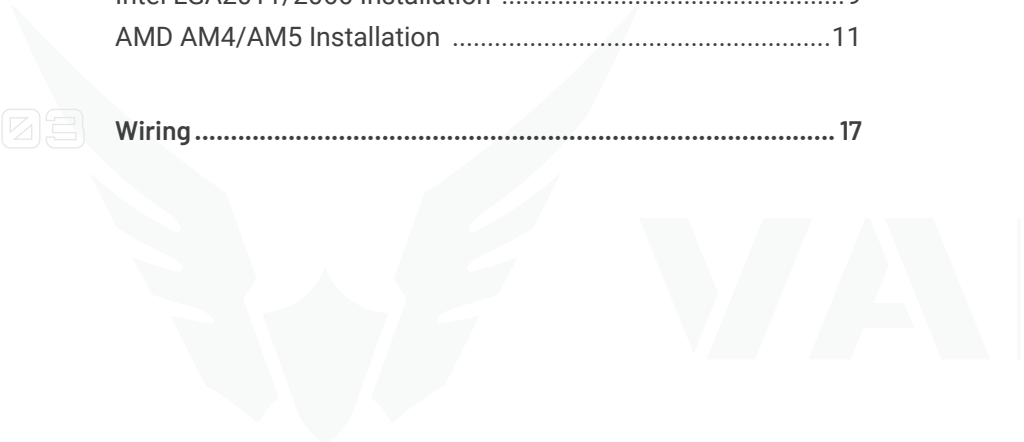
INSTALLATION GUIDE

Valkyrie A Series AIO Cooler

www.my-valkyrie.com

Table of Contents

P	AIO Water Cooling Parts	1
01	Water Cooling.....	3
02	Radiator Installation	4
	Intel LGA1200/1700 Installation	5
	Intel LGA2011/2066 Installation	9
	AMD AM4/AM5 Installation	11
03	Wiring.....	17



DE Scannen Sie den QR-Code für die Installationsanleitung

FR Scannez le code QR pour le manuel d'installation

IT Scansiona il codice QR per il manuale di installazione

ES Escanee el código QR para el manual de instalación

PT Escaneie o código QR para obter o manual de instalação

NL Scan de QR-code voor de installatiehandleiding

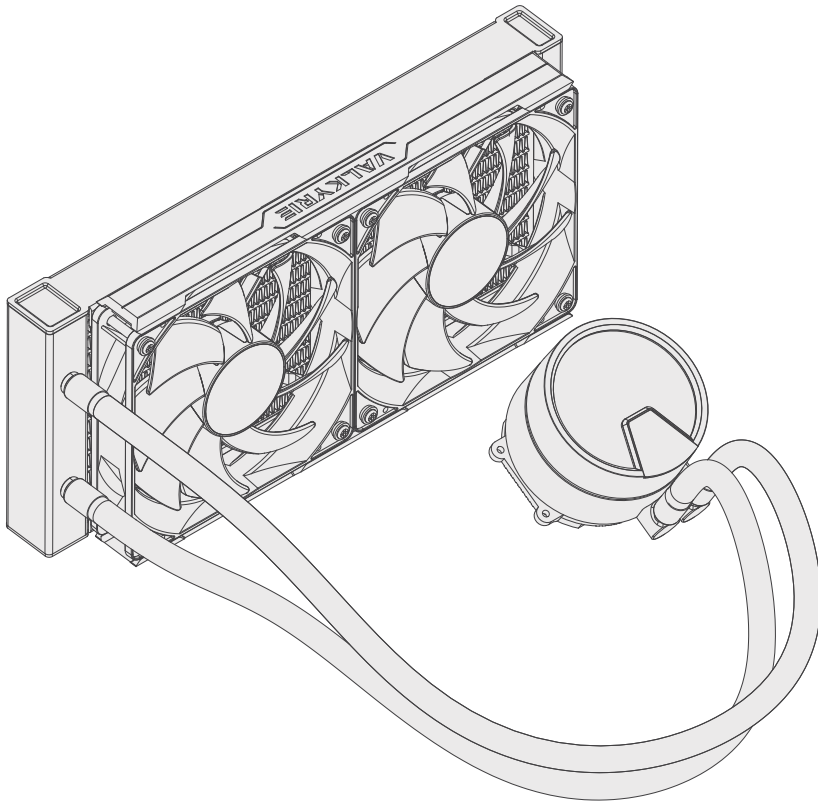
RUS Отсканируйте QR-код для получения руководства по установке



www.my-valkyrie.com/installation-manuals

AIO Water Cooling Parts

1x AIO Water Cooling Radiator

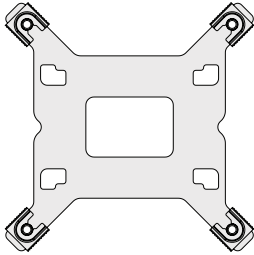


*Please check the received goods to make sure the parts are complete.

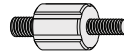
* Please keep in mind that Intel bracket is already mounted on pump unit and fans are already mounted on the radiator.

* Thermal paste is already applied on the coldplate.

1x Intel Backplate



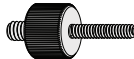
4x Intel / AMD Bolts



4x Nuts



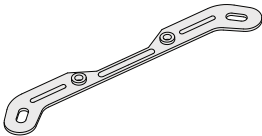
4x LGA2011 Bolts



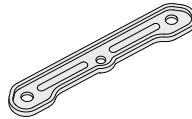
4x Bracket Installation Screws



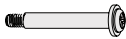
2x Intel Brackets



2x AMD Brackets



Fan Screw



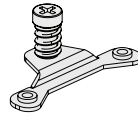
120 x 4 / 140 x 4 / 240 x 8 / 280 x 8
360 x 12 / 420 x 12 / 480 x 16

Fan Screw
(extended)



120 x 4 / 140 x 4 / 240 x 8 / 280 x 8
360 x 12 / 420 x 12 / 480 x 16

2x AMD Fastener

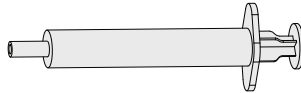


Radiator Screw



120 x 4 / 140 x 4 / 240 x 8 / 280 x 8
360 x 12 / 420 x 12 / 480 x 16

1x Thermally Conductive
Silicone Grease





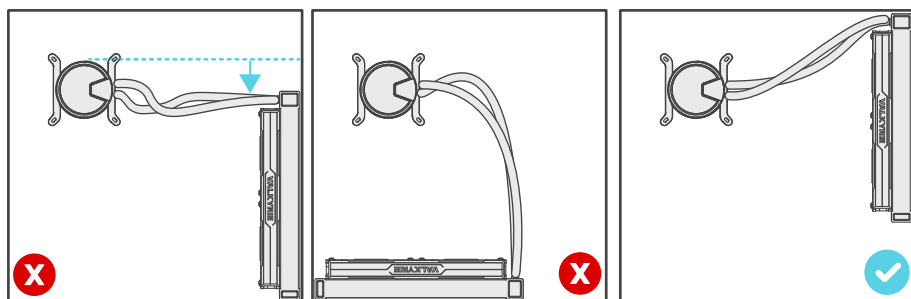
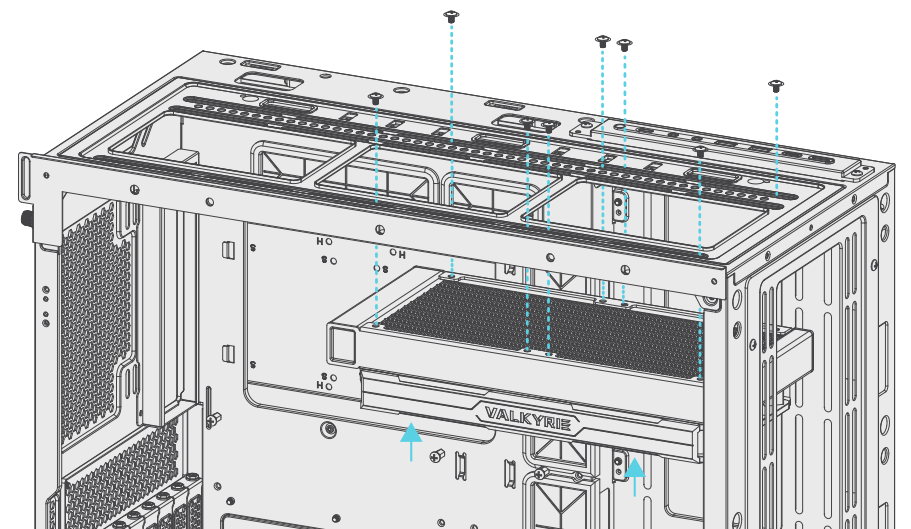
WATER COOLING



Radiator Installation

Step 1: Install the radiator

Use the radiator screws to secure the radiator to the case in a desired position.



NOTE: Don't place the radiator with tubing on top in a way that radiator reservoir is lower than the pump unit. Don't place the radiator at the bottom.

Step 2: Continue

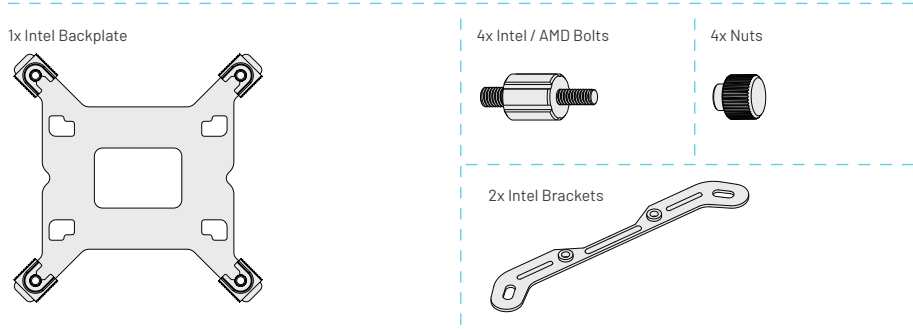
Go to page 5 if you use Intel LGA1200/1700

Go to page 9 if you use Intel LGA2011/2066.

Go to page 11 for AMD AM4/AM5.

Intel LGA1200/1700 Installation

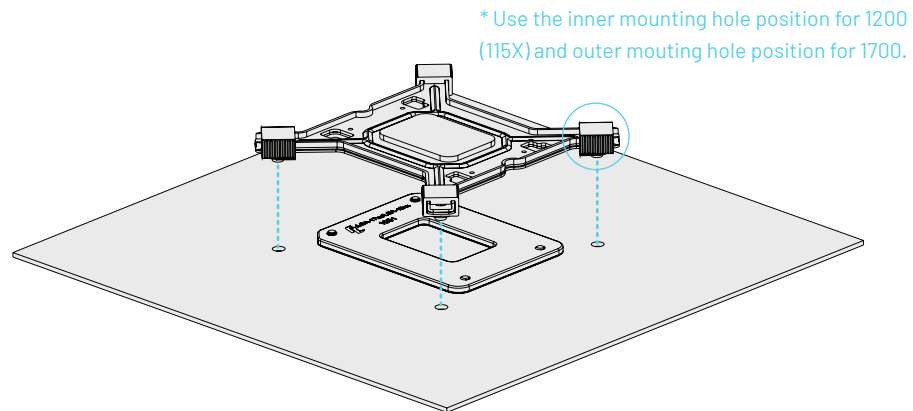
We have marked the parts required for installing the Intel LGA1200/1700 platform for you.



Step 1: Install the backplate

1. Align the backplate to the corresponding platform holes.
2. Install the backplate onto the back of the motherboard.

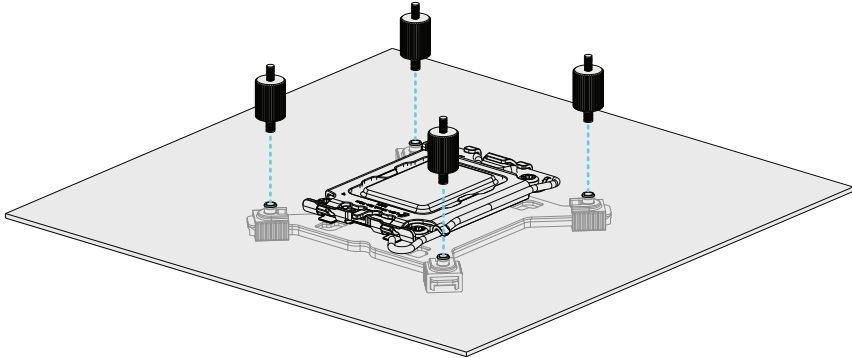
* You may slide it to adjust for alignment with corresponding platform holes.



Step 2: Install the mounting screws

Install Intel/AMD bolts to the motherboard.

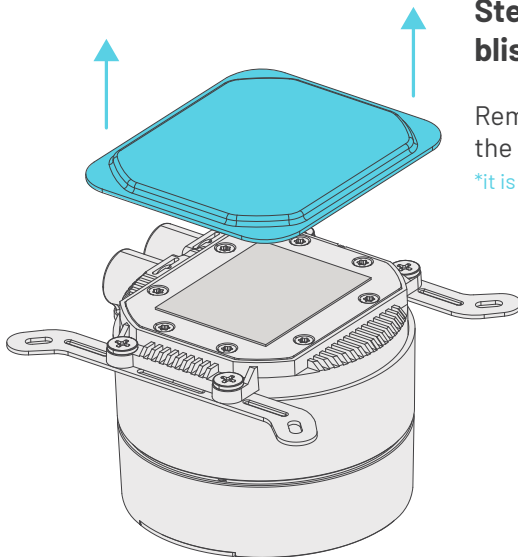
*The larger end of the screw faces down.



Step 3: Removing protective blister

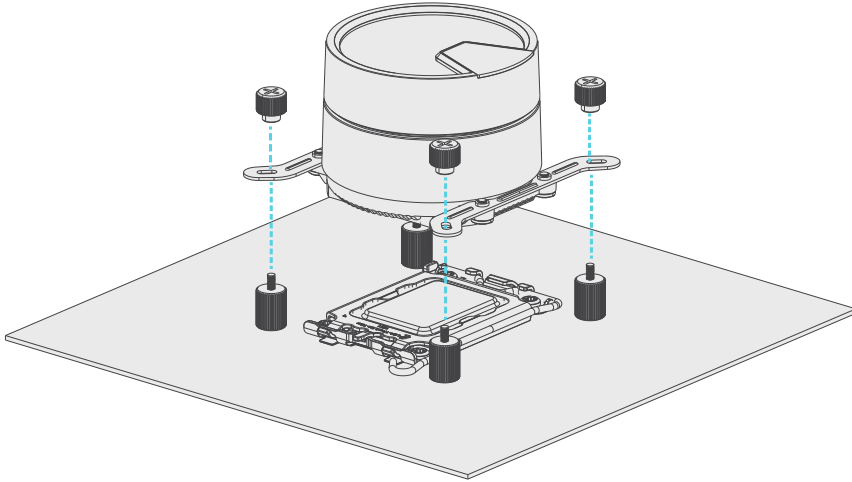
Remove the protective blister from the coldplate.

*it is critical to the cooling performance.



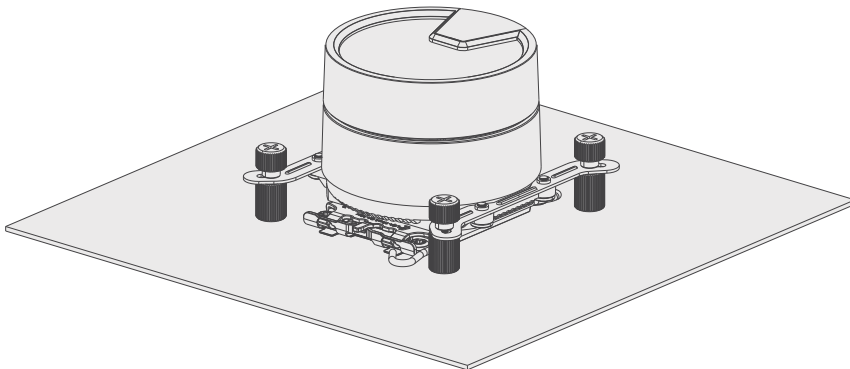
Step 4: Install the pump unit

Put the pump unit onto the studs and use nuts to fix it in place.



Step 5: Complete installation

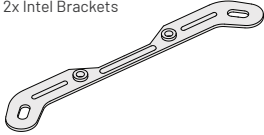
Please refer to the "Wiring" for wiring.



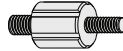
Intel LGA2011/2066 Installation

We have marked the parts required for installing the Intel LGA2011/2066 platform for you.

2x Intel Brackets



4x LGA2011 bolts

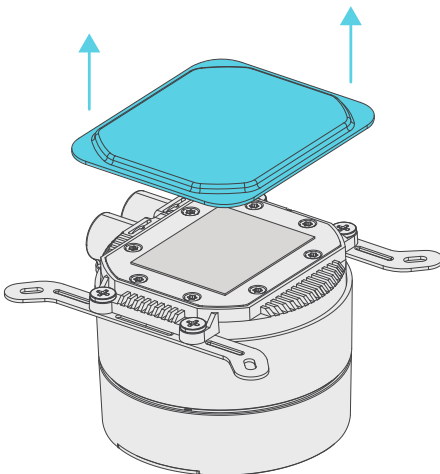
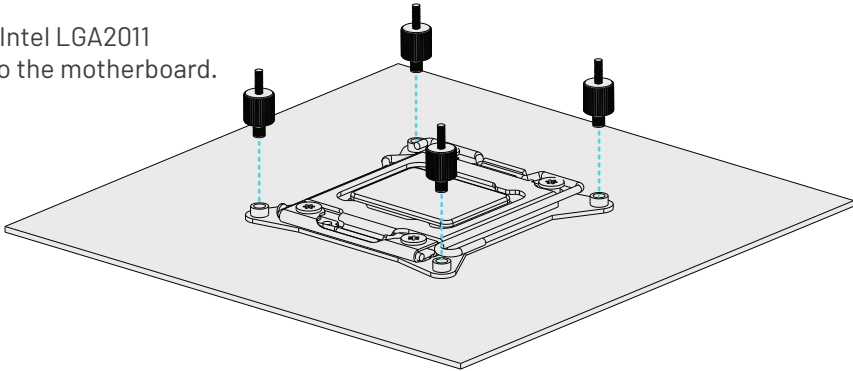


4x Nuts



Step 1: Install the mounting screws

Install Intel LGA2011 bolts to the motherboard.



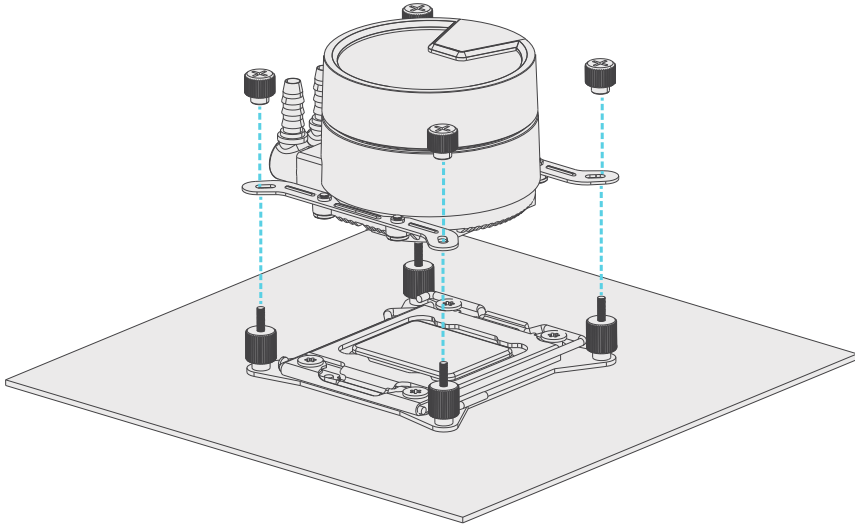
Step 2: Removing protective blister

Remove the protective blister from the coldplate.

**it is critical to the cooling performance.*

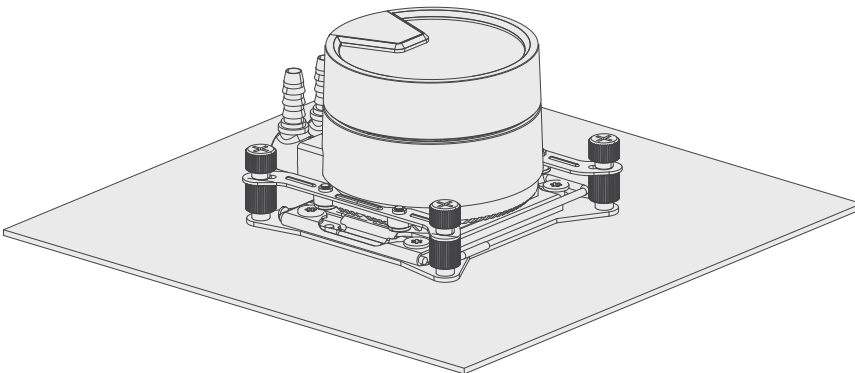
Step 3: Install the pump unit

Put the pump unit onto the studs and use nuts to fix it in place.



Step 4: Complete installation

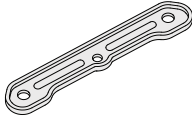
Please refer to the "Wiring" for wiring.



AMD AM4/AM5 Installation

We have marked the parts required for installing the AMD/AM4 platform for you.

2x AMD brackets



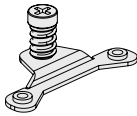
4x Intel / AMD bolts



4x Nuts



2x AMD fastener

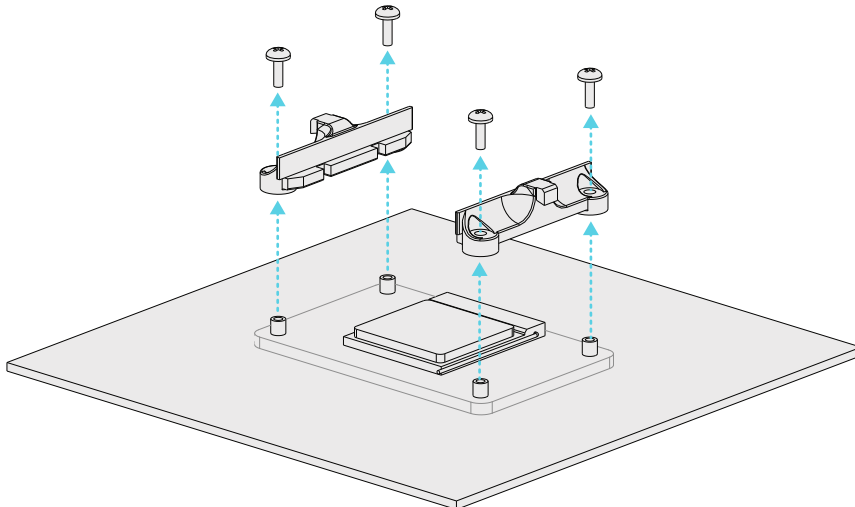


4x Bracket Installation Screws



Step 1: Prepare the motherboard

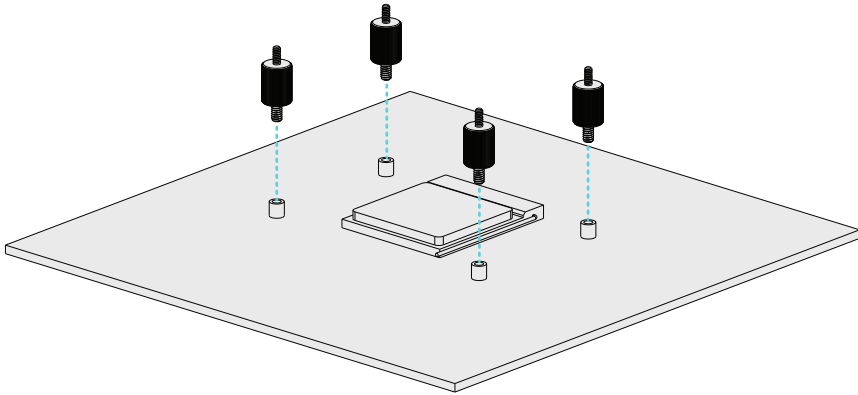
Screw out the 4 bolts. Remove the original bracket on the motherboard. Keep the original backplate.



Step 2: Install the mounting screws

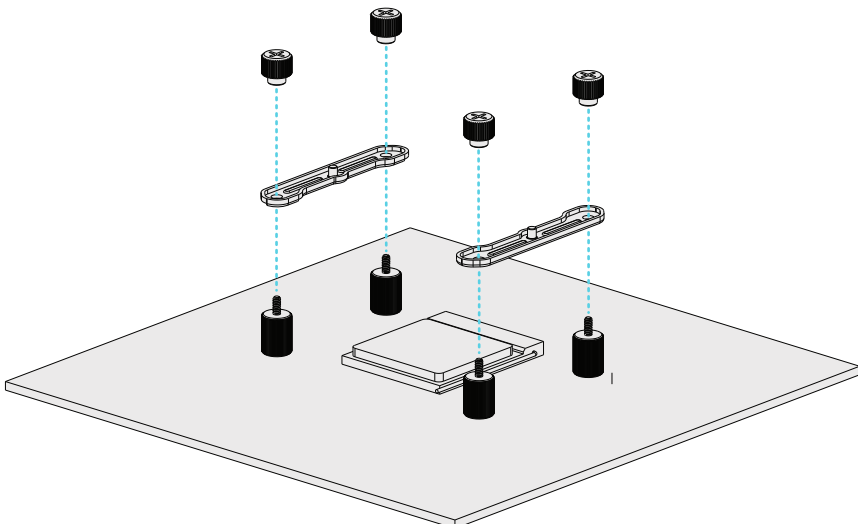
Install Intel/AMD bolts to the motherboard.

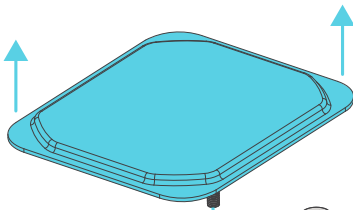
*The larger end of the screw faces down.



Step 3: Install the brackets

Install AMD brackets onto the screws and tighten them with nuts.

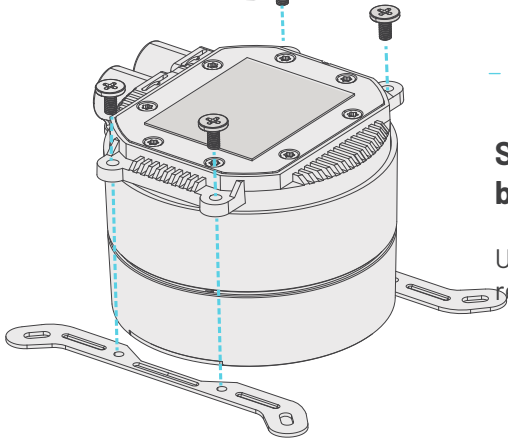




Step 4: Removing protective blister

Remove the protective blister from the coldplate.

**it is critical to the cooling performance.*

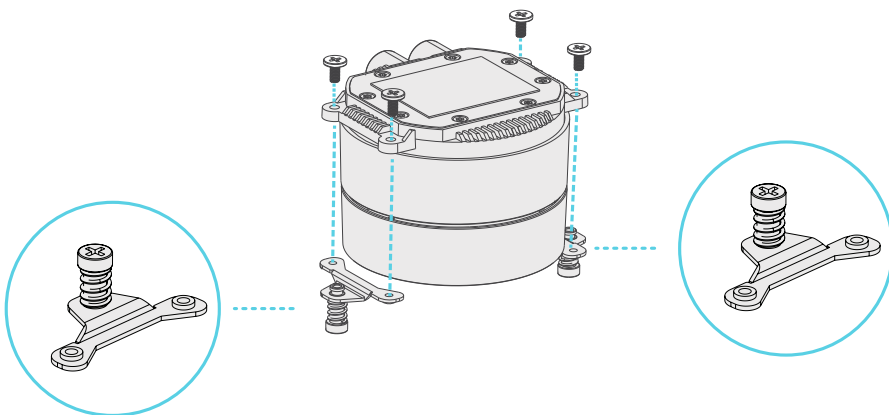


Step 5: Remove the Intel bracket

Unscrew the 4 bolts holding and remove the Intel bracket.

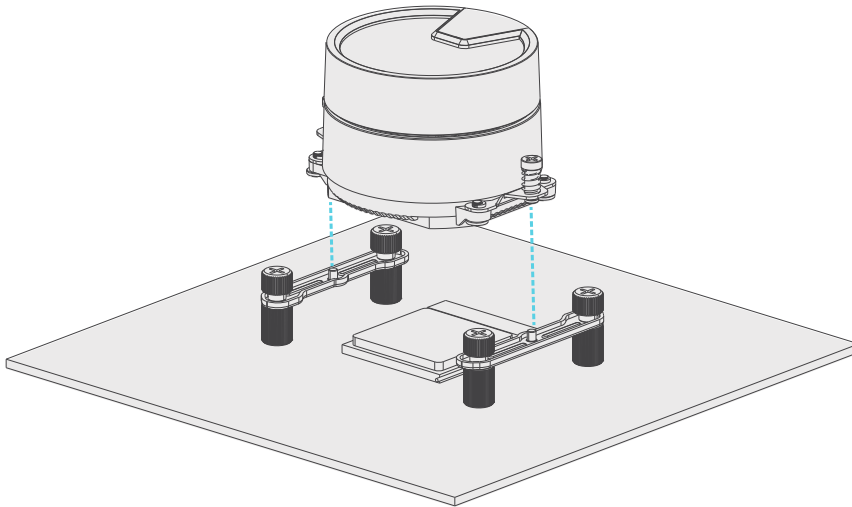
Step 6: Install AMD fastener

Use bracket bolts to install the AMD fastener to the pump unit.



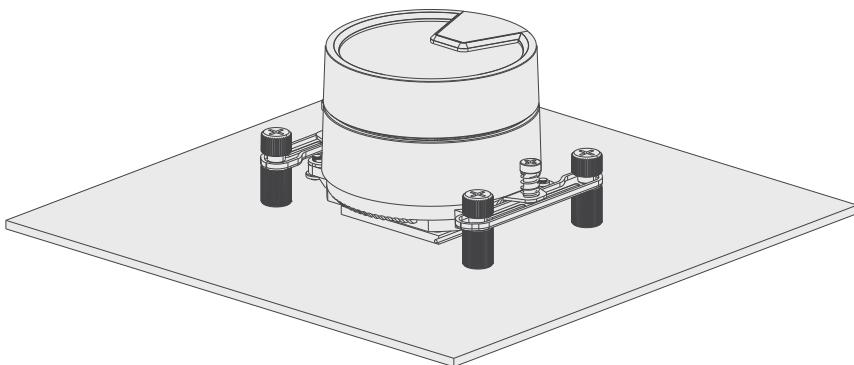
Step 7: Install the pump unit

Put the pump unit onto the studs and use nuts to fix it in place.



Step 8: Complete installation

Please refer to the "Wiring" for wiring.



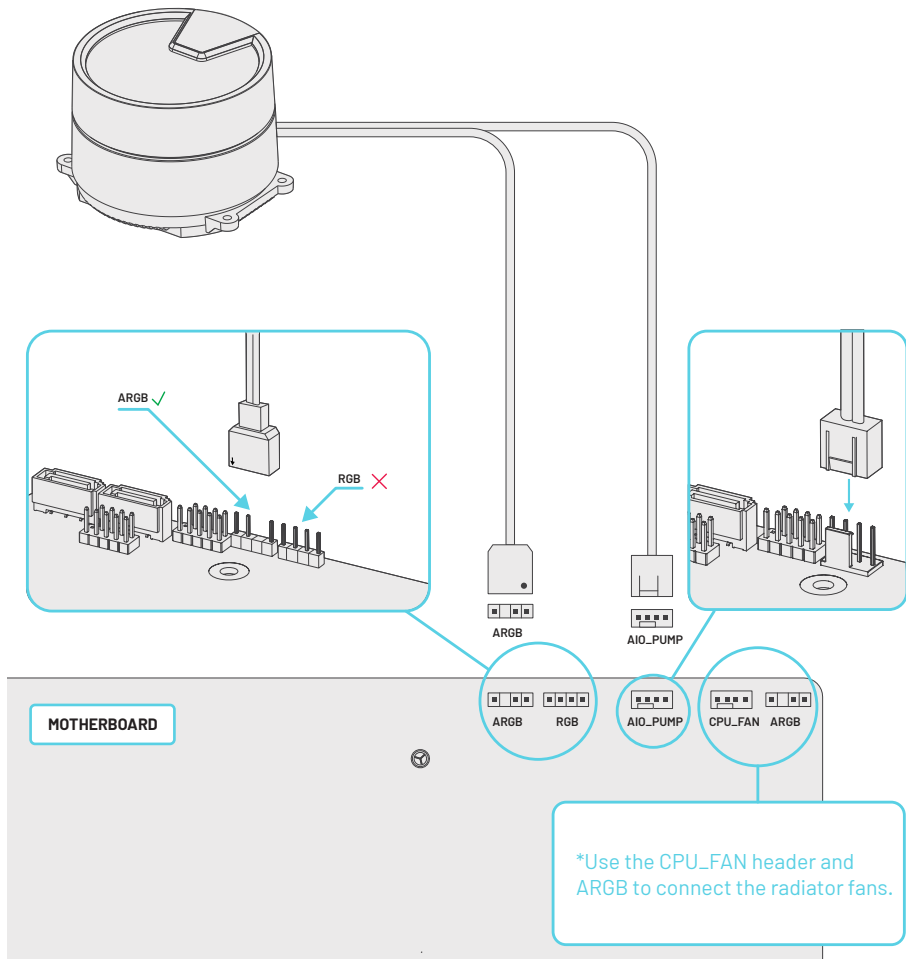


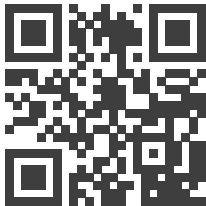
WIRING








Connecting the pump unit to the motherboard

1. Connect the water pump 4-pin connector into the AIO_PUMP header on the motherboard
2. Plug the pump unit's A-RGB connector into the 3-pin A-RGB header on the motherboard.





-  @my.valkyrie
-  @myvalkyrieplays
-  My Valkyrie
-  @myvalkyrield
-  @myvalkyrie

Follow us for the latest news in Valkyrie world.

HW Gaming Solution Ltd
28 Oktovriou 261, View point Tower,
3035 Limassol, Cyprus

info@my-valkyrie.com
www.my-valkyrie.com

VA_2.0_01022024

www.my-valkyrie.com