



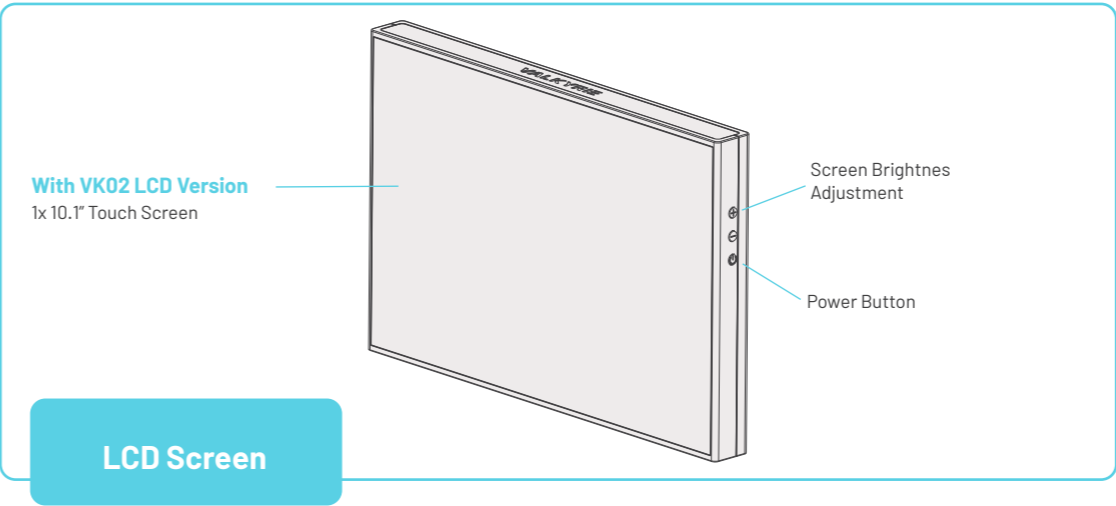
# VK02

## LCD Installation Manual

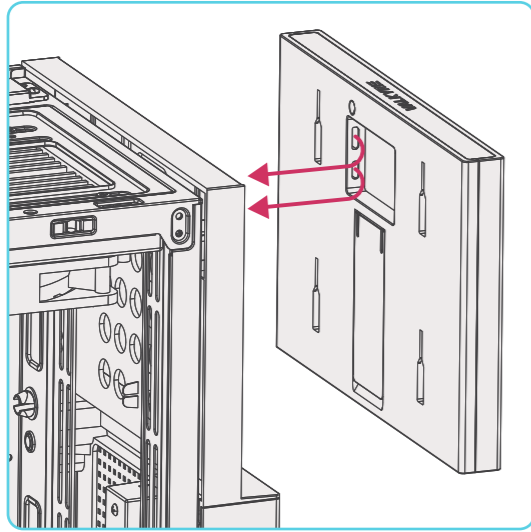
**NOTE 1:** The illustrated RED LINES represent cables.

**NOTE 2:** The LCD secondary screen needs to be connected to the HDMI interface of the graphics card.

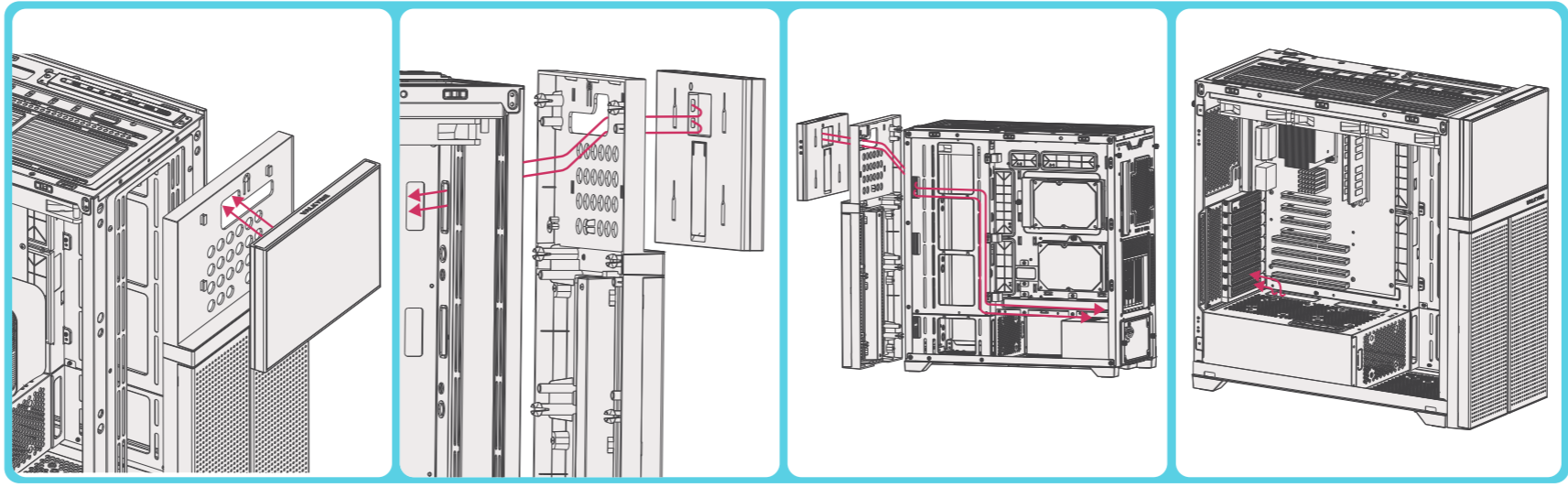
If the number of interfaces is insufficient, you need to purchase an adapter cable, such as DisplayPort male to HDMI female.



### 01 Screen Installation

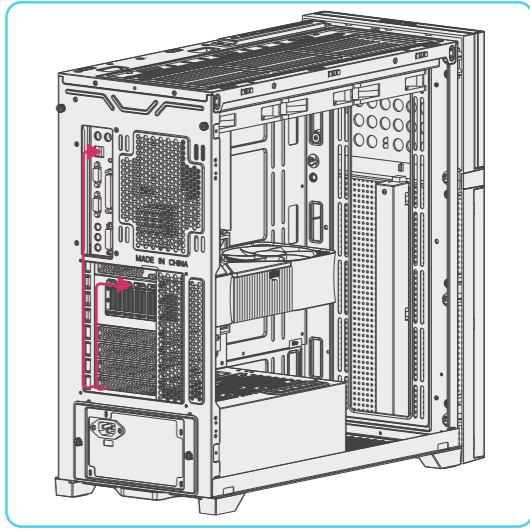


**Step 1:** Insert the mini HDMI and Type-C plugs into the corresponding sockets on the back of the screen.



**Step 2:** Cable routing

\*Please pre-assemble the cables before assembling the hardware to avoid difficulties in routing the cables after the hardware assembly has been completed.  
\*When starting the windows system for the first time, do not connect the HDMI and USB interfaces to the graphics card/motherboard to prevent the system from recognizing the secondary screen as the main.

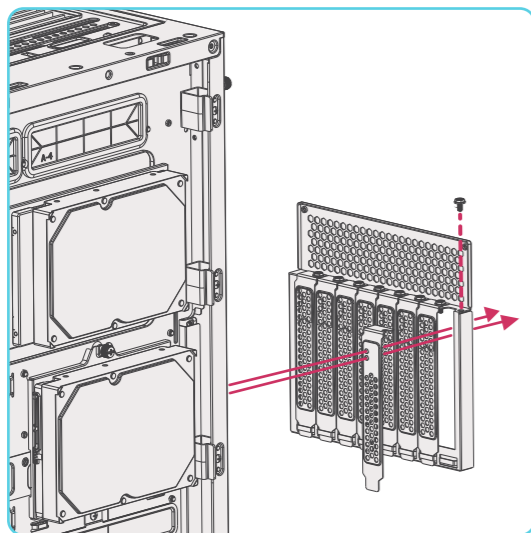


**Step 7:** Pass the cables through the baffle as shown in the image. Plug HDMI into the graphics card and connect the USB interface to the USB port on the motherboard.

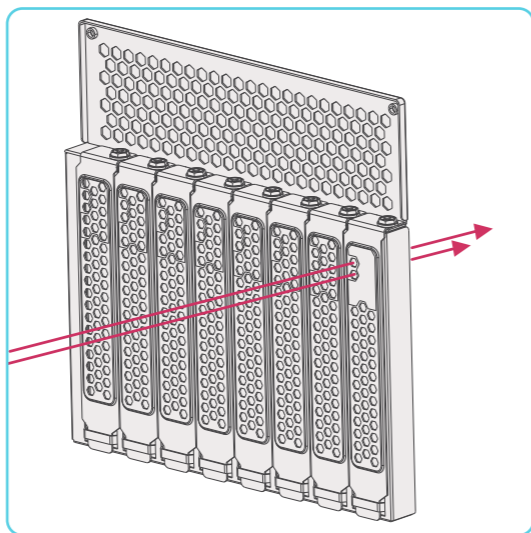
\*Start the computer and the monitor normally then connect the HDMI and Type-C interface.

### Vertical GPU

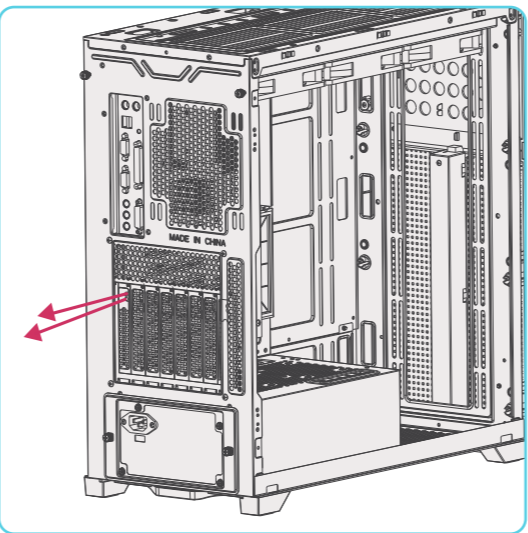
### 02 Cabling method if the GPU is inserted vertically



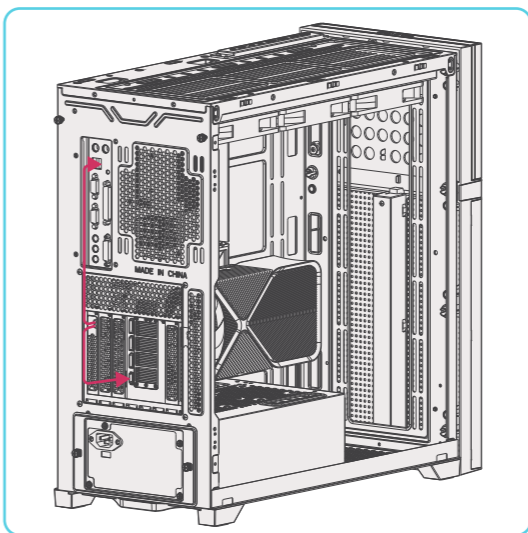
**Step 1:** Remove the graphics card baffle bracket, move the perforated baffle to the first slot position, and then pass the wire through the baffle hole.



**Step 2:** Tighten the screws to fix the baffle.



**Step 3:** Reinstall the graphics card bezel bracket.



**Step 4:** Plug HDMI into the graphics card. Connect the USB interface to the motherboard USB interface.

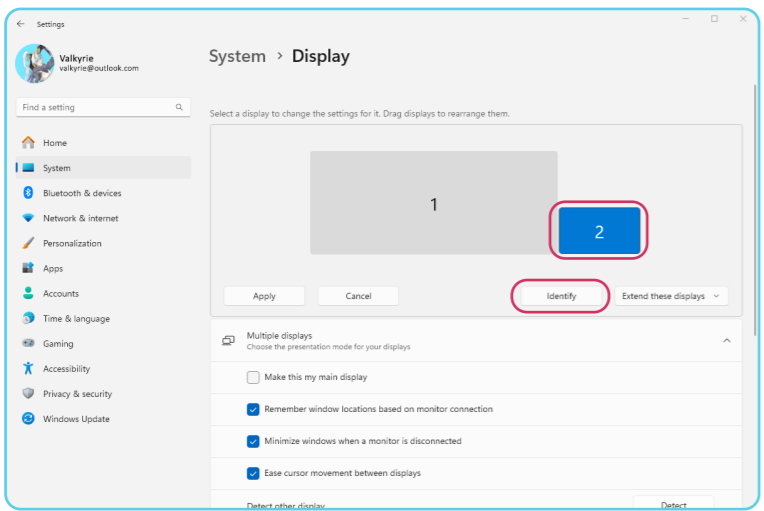
\*Start the computer and the monitor normally then connect the HDMI and Type-C interface.



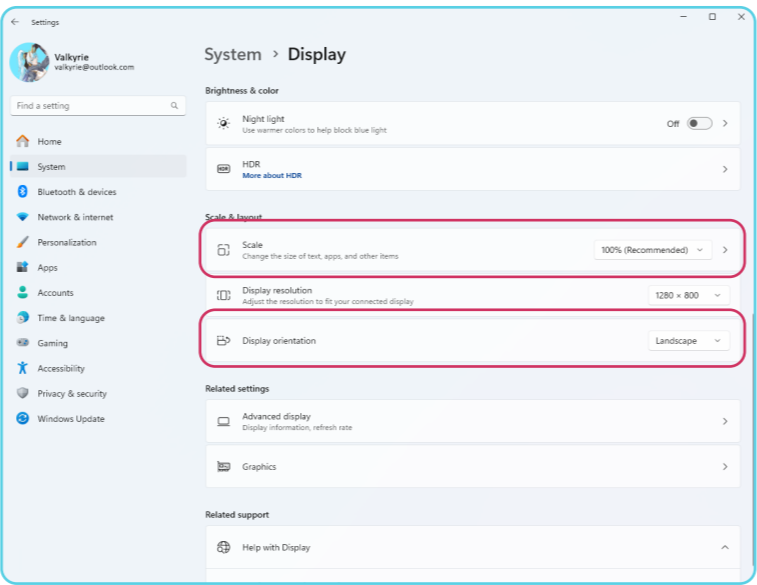
[www.my-Valkyrie.com/software](http://www.my- Valkyrie.com/software)

**Step 1:** Visit [www.my-Valkyrie.com/software](http://www.my-Valkyrie.com/software)  
**Step 2:** Find Myth.cool Software section  
**Step 3:** Click Download to get the latest version of the software

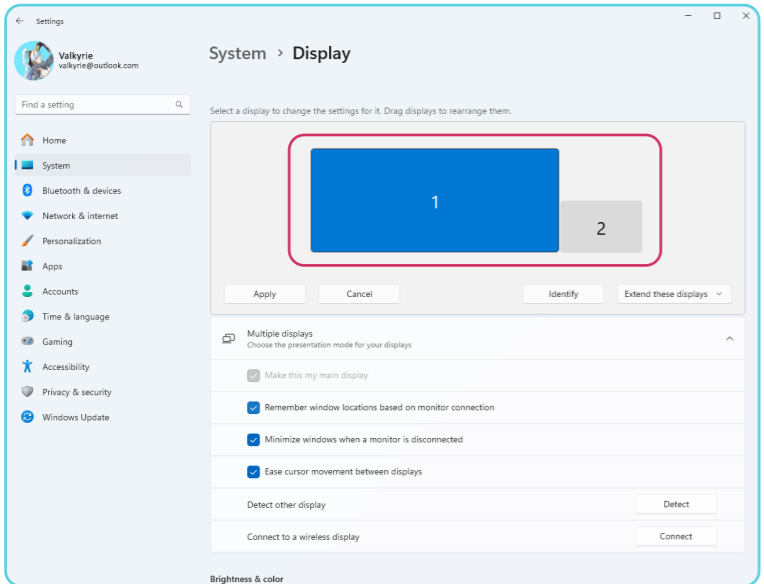
**Step 1:** Right click on the blank space on the Windows desktop and click display settings to enter the screen settings page.



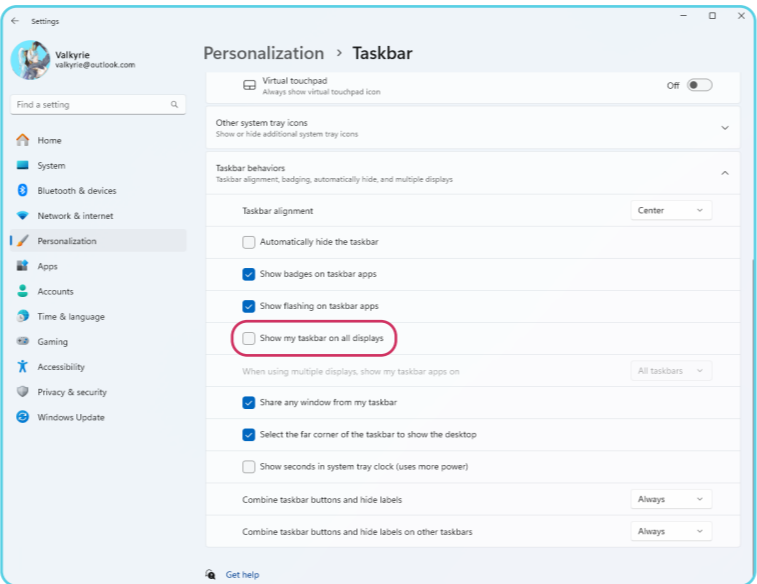
**Step 2:** Identify the screen; check the number of corresponding screen. Select the secondary screen.



**Step 3:** Check the zoom ratio and be sure to have display direction set to landscape.



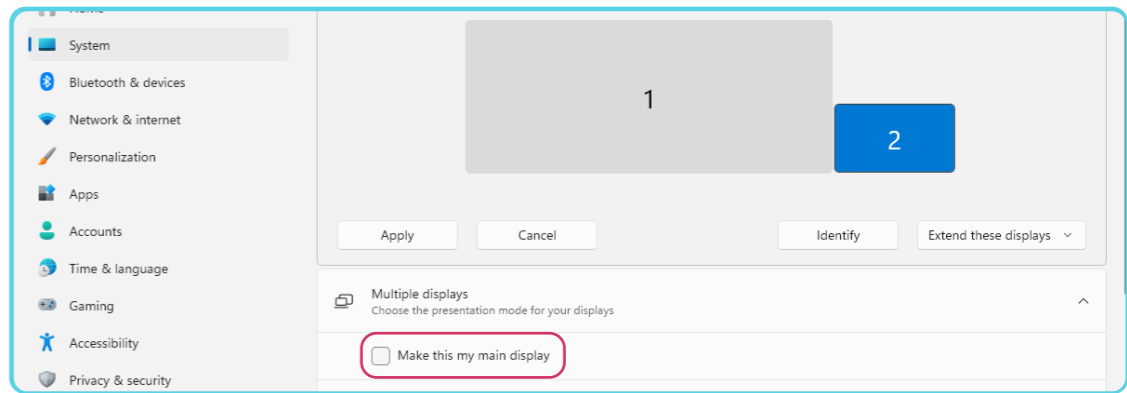
**Step 4:** Drag the secondary screen to adjust its position.



**Step 5:** Make sure that "Show my taskbar on all displays" is unchecked.

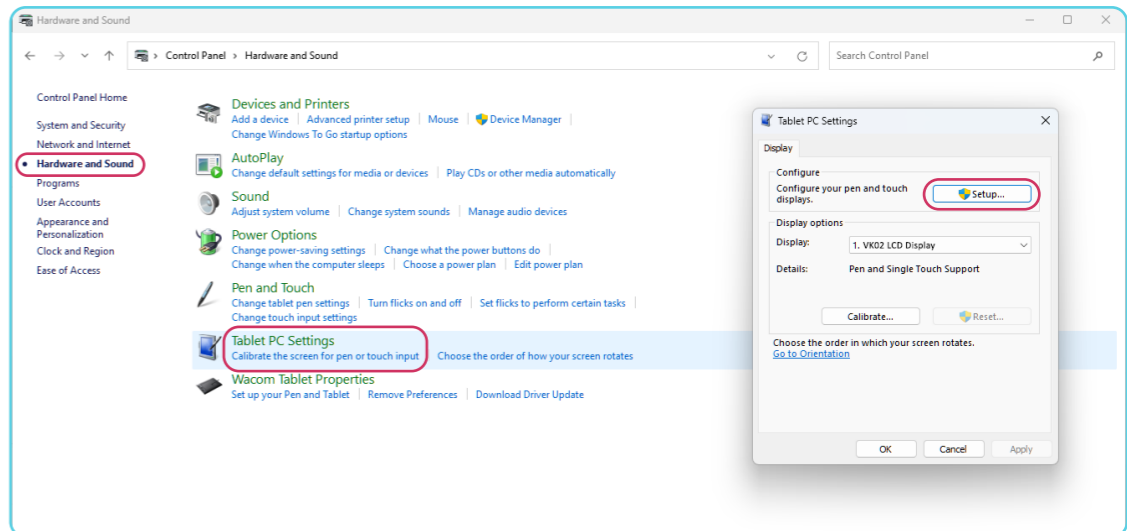
# FAQ

**1. How to solve the problem when the secondary screen is set as the main screen?**



**Step 1:** Be sure to uncheck the "Make this my main display" option when screen 2 is selected.






**2. How to solve the problem when the touch screen function is not on the secondary screen?**



**Step 1:** Open Control Panel, go to Hardware and sound and click Tablet PC Settings.

**Step 2:** Click Setup.

\*If the text prompt screen does not appear on the secondary screen, please press Enter to go to the next screen. And then touch the screen.

-  @my.valkyrie
-  @myvalkyrieplays
-  My Valkyrie
-  @myvalkyrieldt
-  @myvalkyrie



**HW Gaming Solution Ltd**  
 28 Oktovriou 261, View point Tower,  
 3035 Limassol, Cyprus

info@my-Valkyrie.com  
 www.my-Valkyrie.com